



US00D870156S

(12) **United States Design Patent** (10) **Patent No.:** **US D870,156 S**  
**Byrne et al.** (45) **Date of Patent:** **\*\* Dec. 17, 2019**

- (54) **POWER END FRAME SEGMENT**
- (71) Applicant: **S.P.M. Flow Control, Inc.**, Fort Worth, TX (US)
- (72) Inventors: **Joseph H. Byrne**, Hudson Oaks, TX (US); **Jacob A. Bayyouk**, Richardson, TX (US); **Chandu Kumar**, Fort Worth, TX (US)
- (73) Assignee: **S.P.M. Flow Control, Inc.**, Fort Worth, TX (US)

- 1,596,037 A 8/1926 Warner
- 1,707,228 A 4/1929 Knapp
- 1,867,585 A 7/1932 Moore
- 1,890,428 A 12/1932 Ferris et al.
- 1,899,743 A 2/1933 Berry
- 1,926,925 A 9/1933 Wescott

(Continued)

**FOREIGN PATENT DOCUMENTS**

- BR 8700642 A 8/1988
- CA 2486126 A1 10/2005

(Continued)

- (\*\*) Term: **15 Years**
- (21) Appl. No.: **29/603,989**
- (22) Filed: **May 15, 2017**

**OTHER PUBLICATIONS**

“Simatool Bearing Handling Tool BHT,” Simatec Smart Technologies; Dec. 19, 2013; <http://www.simatec.com/products/simatool/bearinghandlingtool/>.

(Continued)

**Related U.S. Application Data**

- (63) Continuation of application No. 29/567,631, filed on Jun. 10, 2016, now Pat. No. Des. 791,193, which is a continuation of application No. 29/534,091, filed on Jul. 24, 2015, now Pat. No. Des. 759,728, which is a continuation of application No. 14/808,513, filed on Jul. 24, 2015.

*Primary Examiner* — Khawaja Anwar

(74) *Attorney, Agent, or Firm* — Foley & Lardner LLP

- (51) **LOC (12) Cl.** ..... **15-03**
- (52) **U.S. Cl.**  
USPC ..... **D15/9**
- (58) **Field of Classification Search**  
USPC ..... D15/7-9; D23/225, 231, 232  
CPC ..... F02M 37/04; F02M 37/14  
See application file for complete search history.

(57)

**CLAIM**

The ornamental design for a power end frame segment, as shown and described.

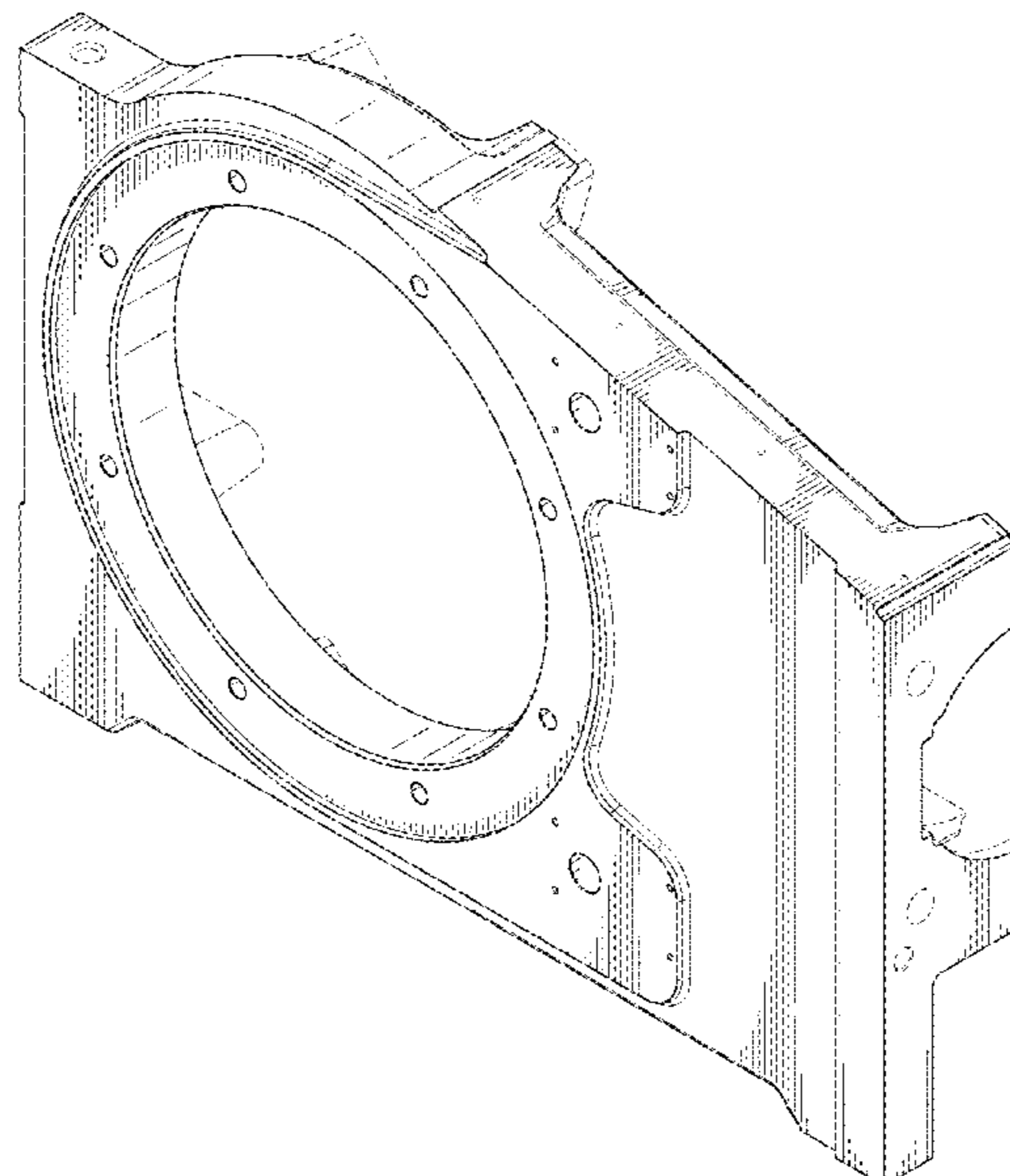
**DESCRIPTION**

FIG. 1 is a perspective view of a power end frame segment; FIG. 2 is a front view of the power end frame segment; FIG. 3 is a rear view of the power end frame segment; FIG. 4 is right side view of the power end frame segment; FIG. 5 is a left side view of the power end frame segment; FIG. 6 is a top view of the power end frame segment; and, FIG. 7 is a bottom view of the power end frame segment. The broken lines in FIGS. 1 through 7 form no part of the claimed design.

- (56) **References Cited**  
U.S. PATENT DOCUMENTS

- 364,627 A 6/1887 Arnold
- 879,560 A 2/1908 Lepley
- 1,418,202 A 5/1922 Parsons

**1 Claim, 5 Drawing Sheets**



(56)

References Cited

U.S. PATENT DOCUMENTS

2,056,622 A	10/1936	Schaer	5,135,031 A	8/1992	Burgess et al.
2,420,779 A	5/1947	Holmes	5,156,534 A	10/1992	Burgy et al.
2,428,602 A	10/1947	Yingling	5,159,743 A	11/1992	Somerville
2,443,332 A	6/1948	Summers	5,165,160 A	11/1992	Poncelet
2,665,555 A	1/1954	Martinsson	5,216,943 A	6/1993	Adler et al.
2,682,433 A	6/1954	Maier	5,246,355 A	9/1993	Matzner et al.
2,729,117 A	1/1956	Maybach	5,247,873 A	9/1993	Owens et al.
2,755,739 A	7/1956	Euwe	5,287,612 A	2/1994	Paddock et al.
2,766,701 A	10/1956	Giraudeau	5,313,061 A	5/1994	Drew et al.
2,823,085 A	2/1958	Keylwert	5,337,612 A	8/1994	Evans
2,828,931 A	4/1958	Harvey	5,370,093 A	12/1994	Hayes
2,878,990 A	3/1959	Zurcher	5,425,306 A	6/1995	Binford
2,991,003 A	7/1961	Petersen	5,560,332 A	10/1996	Chang
3,039,317 A	6/1962	Wilson	5,594,665 A	1/1997	Walter et al.
3,049,082 A	8/1962	Barry	5,658,250 A	8/1997	Blomquist et al.
3,137,179 A	6/1964	Moorhead	5,671,655 A	9/1997	Vollrath
3,158,211 A	11/1964	McCue	5,673,666 A	10/1997	Beardmore et al.
3,163,474 A	12/1964	Wilson	5,682,851 A	11/1997	Breen et al.
3,168,665 A	2/1965	Holper	5,772,403 A	6/1998	Allison et al.
3,179,451 A	4/1965	Blank	5,839,888 A	11/1998	Harrison
3,206,242 A	9/1965	Fensin	5,846,056 A	12/1998	Dhindsa et al.
3,207,142 A	9/1965	Gorissen et al.	5,855,397 A	1/1999	Black et al.
3,236,315 A	2/1966	Lora	5,984,645 A	11/1999	Cummings
3,238,892 A	3/1966	Coberly et al.	6,260,004 B1	7/2001	Hays et al.
3,356,036 A	12/1967	Repp	6,330,525 B1	12/2001	Hays et al.
3,358,352 A	12/1967	Wilcox	6,419,459 B1	7/2002	Sibbing
3,487,892 A	1/1970	Kiefer	6,557,457 B1	5/2003	Hart et al.
3,595,101 A	7/1971	Cooper, Sr.	6,581,261 B1	6/2003	Chen
3,656,582 A	4/1972	Alcock	6,663,349 B1	12/2003	Discenzo et al.
3,757,149 A	9/1973	Holper	6,697,741 B2	2/2004	Yu et al.
3,760,694 A	9/1973	Lieb	6,718,955 B1	4/2004	Knight
3,880,604 A	4/1975	Hawkins	D495,342 S	8/2004	Tojo et al.
3,883,941 A	5/1975	Coil	D496,670 S	9/2004	Ohnishi
3,967,542 A	7/1976	Hall et al.	6,853,110 B1	2/2005	Durham et al.
4,013,057 A	3/1977	Guenther	6,859,740 B2	2/2005	Stephenson et al.
4,048,909 A	9/1977	Jepsen	6,873,267 B1	3/2005	Tubel et al.
4,099,447 A	7/1978	Ogles	6,882,960 B2	4/2005	Miller
4,140,442 A	2/1979	Mulvey	7,044,216 B2	5/2006	Otten et al.
4,191,238 A	3/1980	Pichl	7,111,604 B1	9/2006	Hellenbroich et al.
4,209,079 A	6/1980	Marchal et al.	D538,824 S	3/2007	Tojo
4,210,399 A	7/1980	Jain	7,219,594 B2	5/2007	Kugelev et al.
4,211,190 A	7/1980	Indech	7,220,119 B1	5/2007	Kirchmer et al.
4,246,908 A	1/1981	Inagaki et al.	7,272,533 B2	9/2007	Schlosser
4,269,569 A	5/1981	Hoover	7,364,412 B2	4/2008	Kugelev et al.
4,338,054 A	7/1982	Dahl	7,374,005 B2	5/2008	Gray, Jr.
4,381,179 A	4/1983	Pareja	7,404,704 B2	7/2008	Kugelev et al.
4,388,837 A	6/1983	Bender	D591,311 S	4/2009	Tojo
4,476,772 A	10/1984	Gorman et al.	7,588,384 B2	9/2009	Yokohara
4,477,237 A	10/1984	Grable	7,610,847 B2	11/2009	McKelroy
4,494,415 A	1/1985	Elliston	7,621,179 B2	11/2009	Ens et al.
4,512,694 A	4/1985	Foran et al.	7,623,986 B2	11/2009	Miller
4,553,298 A	11/1985	Grable	7,866,153 B2	1/2011	Sollie et al.
4,606,709 A	8/1986	Chisolm	7,931,078 B2	4/2011	Toporowski et al.
4,667,627 A	5/1987	Matsui et al.	8,100,048 B2	1/2012	Christopher
4,705,459 A	11/1987	Buisine et al.	8,162,631 B2	4/2012	Patel et al.
4,729,249 A	3/1988	Besic	D658,684 S	5/2012	Roman
4,762,051 A	8/1988	Besic et al.	D668,266 S *	10/2012	Ramirez, Jr. .... D15/7
4,771,801 A	9/1988	Crump et al.	D670,312 S	11/2012	Alexander et al.
4,803,964 A	2/1989	Kurek et al.	D676,875 S *	2/2013	Ramirez, Jr. .... D15/7
4,809,646 A	3/1989	Paul et al.	8,376,723 B2	2/2013	Kugelev et al.
4,824,342 A	4/1989	Buck	D678,628 S	3/2013	Krueger
4,842,039 A	6/1989	Kelm	D678,911 S	3/2013	Prevost
4,876,947 A	10/1989	Rhodes	D682,317 S	5/2013	Carruth et al.
4,887,518 A	12/1989	Hayakawa	D685,393 S	7/2013	Prevost
4,939,984 A	7/1990	Fletcher-Jones	8,529,230 B1	9/2013	Colley, III et al.
4,950,145 A	8/1990	Zanetos et al.	D692,026 S	10/2013	Alexander et al.
4,966,109 A	10/1990	Pusic et al.	8,561,760 B2	10/2013	Yoshikawa et al.
5,031,512 A	7/1991	Graziani	D693,200 S	11/2013	Saunders
5,033,177 A	7/1991	Gathright et al.	D698,502 S	1/2014	Krueger
5,060,603 A	10/1991	Williams	D700,622 S	3/2014	Carruth et al.
5,063,775 A	11/1991	Walker, Sr. et al.	8,707,853 B1 *	4/2014	Dille ..... F04B 53/14 92/165 R
5,076,220 A	12/1991	Evans et al.	D704,385 S	5/2014	Hoofman
5,078,580 A	1/1992	Miller et al.	D708,401 S	7/2014	Krueger
5,080,319 A	1/1992	Nielsen	D713,101 S	9/2014	Bruno et al.
5,115,725 A	5/1992	Horiuchi	8,833,301 B2	9/2014	Donegan et al.
			8,833,302 B2	9/2014	Donegan et al.
			8,857,374 B1	10/2014	Donegan et al.
			D759,728 S *	6/2016	Byrne ..... D15/9

(56)

References Cited

U.S. PATENT DOCUMENTS

2002/0020460 A1 2/2002 Viken  
 2002/0046905 A1 4/2002 Hulkkonen et al.  
 2002/0189587 A1 12/2002 Hirano  
 2003/0024386 A1 2/2003 Burke  
 2003/0079604 A1 5/2003 Seo  
 2003/0118104 A1 6/2003 Zaccarin  
 2004/0213677 A1 10/2004 Matzner et al.  
 2004/0219040 A1 11/2004 Kugelev et al.  
 2004/0244577 A1 12/2004 Haughom  
 2006/0029502 A1 2/2006 Kugelev et al.  
 2007/0041847 A1 2/2007 Inoue et al.  
 2007/0041849 A1 2/2007 Allen  
 2007/0099746 A1 5/2007 Hahlbeck  
 2007/0131839 A1 6/2007 Dunn et al.  
 2007/0144842 A1 6/2007 Zhou  
 2008/0006148 A1 1/2008 McKelroy  
 2008/0078583 A1 4/2008 Cummins  
 2008/0213115 A1 9/2008 Hilger et al.  
 2008/0271562 A1 11/2008 Yasuhara et al.  
 2009/0084260 A1 4/2009 Christopher  
 2009/0092510 A1 4/2009 Williams et al.  
 2010/0044028 A1 2/2010 Brooks  
 2010/0129245 A1 5/2010 Patel et al.  
 2010/0129249 A1\* 5/2010 Bianchi ..... F02F 7/0007  
 417/521  
 2010/0158726 A1\* 6/2010 Donald ..... F04B 9/042  
 417/437  
 2010/0160710 A1 6/2010 Strickland  
 2010/0172778 A1 7/2010 Kugelev et al.  
 2010/0242720 A1 9/2010 Matzner et al.  
 2010/0260631 A1 10/2010 Kugelev et al.  
 2010/0322802 A1 12/2010 Kugelev  
 2012/0017631 A1 1/2012 Brenneis et al.  
 2012/0141305 A1 6/2012 Landers et al.  
 2012/0144995 A1\* 6/2012 Bayyouk ..... F04B 1/0456  
 91/472  
 2012/0148430 A1 6/2012 Hubenschmidt et al.  
 2012/0167759 A1 7/2012 Chinthan et al.  
 2012/0272764 A1 11/2012 Pendleton  
 2013/0064696 A1 3/2013 McCormick et al.  
 2013/0112074 A1 5/2013 Small  
 2013/0195701 A1 8/2013 Skurdalsvold et al.  
 2013/0206108 A1 8/2013 Schule et al.  
 2013/0233165 A1 9/2013 Matzner et al.  
 2013/0264761 A1 10/2013 Dagenais  
 2014/0013769 A1 1/2014 Martin et al.  
 2014/0147291 A1 5/2014 Burnette  
 2014/0196570 A1 7/2014 Small et al.  
 2014/0322050 A1 10/2014 Marette et al.  
 2015/0377318 A1 12/2015 Byrne  
 2016/0025082 A1 1/2016 Byrne et al.  
 2016/0025088 A1 1/2016 Byrne et al.  
 2016/0025089 A1 1/2016 Kumar et al.  
 2016/0025090 A1\* 1/2016 Bayyouk ..... F04B 7/0069  
 92/161

FOREIGN PATENT DOCUMENTS

CA 2686204 A1 5/2010  
 CA 2749110 A1 7/2010  
 CA 153846 S 9/2014  
 CN 2436688- 6/2001  
 CN 2436688 Y 6/2001  
 CN 2612861 Y 4/2004  
 CN 2674183 Y 1/2005  
 CN 2705626 Y 6/2005  
 CN 2758526 Y 2/2006  
 CN 1908435 A 2/2007  
 CN 2900853 Y 5/2007  
 CN 2926584 Y 7/2007  
 CN 101012821 A 8/2007  
 CN 200964929 Y 10/2007  
 CN 201092955 Y 7/2008  
 CN 101356399 A 1/2009

CN 101476558 A 7/2009  
 CN 201610828 U 10/2010  
 CN 2018836038 U 5/2011  
 CN 2018748803 U 6/2011  
 CN 102374159 A 3/2012  
 CN 202186832- 4/2012  
 CN 102652223 A 8/2012  
 CN 202493418 U 10/2012  
 CN 103403351 A 1/2013  
 CN 202707463 U 1/2013  
 CN 102959244 A 3/2013  
 CN 203067205 U 7/2013  
 CN 103403351 A1 11/2013  
 CN 2009100265839 4/2014  
 CN ZL201330555622.7 5/2014  
 CN 103850908 A 6/2014  
 CN 104204519 A 12/2014  
 CN 105264275 A 1/2016  
 DE 975401 C 11/1961  
 DE 1191069 B 4/1965  
 DE 3234504 A1 4/1983  
 DE 3441508 A1 5/1986  
 DE 3802714 A1 8/1988  
 DE 4416120 A1 11/1995  
 DE 19653164 C2 3/2000  
 DE 20120609 U1 3/2002  
 DE 10129046 B4 1/2006  
 EP 0300905 A1 1/1989  
 EP 0449278 A1 10/1991  
 EP 1 640 571 A1 3/2006  
 EP 2397694 A1 12/2011  
 EP 2 626 525 A1 8/2013  
 FR 2618509 A1 1/1989  
 GB 0 204 454 A 10/1923  
 GB 2342421 B 3/2003  
 GB 2419671 A 5/2006  
 GB 2482786 B 1/2015  
 JP 60175753 A 9/1985  
 JP 194453 7/1990  
 JP 40-7208479 A 8/1995  
 JP 10288086 A 10/1998  
 JP 2920004 B2 7/1999  
 JP 11200947 A 7/1999  
 JP 3974386 B2 9/2007  
 JP 2008539364 A 11/2008  
 JP 2012002225- 1/2012  
 KP 19990079544 11/1999  
 KP 100287572 6/2001  
 KR 1019990060438 7/1999  
 KR 100275877 B1 12/2000  
 KR 20010065249 A 7/2001  
 KR 100302886 12/2001  
 KR 10200170108223 12/2001  
 RU 2037700 C1 6/1995  
 SG 20131413 3/2014  
 WO WO-2008137515 A1 11/2008  
 WO WO-2010080961 A2 7/2010  
 WO WO-2010080963 A2 7/2010  
 WO WO-2011005571 A2 1/2011  
 WO WO-2012/038623- 3/2012  
 WO WO-2012092452 A2 7/2012  
 WO WO-2013183990 A1 12/2013  
 WO WO-2014143094 A1 9/2014  
 WO WO-2015200810 A2 12/2015  
 WO WO-2016014967 A1 1/2016  
 WO WO-2016014988 A1 1/2016  
 WO WO-2016015006 A1 1/2016  
 WO WO-2016015012 A1 1/2016

OTHER PUBLICATIONS

International Search Report dated Dec. 4, 2015 in corresponding PCT application PCT/US2015/042078, 13 pages.  
 International Search Report and Written Opinion dated Dec. 28, 2015 in corresponding international application PCT/US2015/042043, 14 pages.  
 International Search Report dated Jun. 29, 2015 in corresponding PCT application, PCT/US2015/014898, 14 pages.

(56)

**References Cited**

## OTHER PUBLICATIONS

International Search Report and Written Opinion dated Dec. 28, 2015 in corresponding PCT application PCT/US2015/042043, 14 pages.

International Search Report and Written Opinion dated Jun. 29, 2015 in corresponding PCT application PCT/US2015/014898, 14 pages.

International Search Report and Written Opinion dated Oct. 19, 2015 in corresponding PCT/US2015/042104; 11 pages.

International Search Report dated Dec. 4, 2015 in corresponding PCT application, PCT/US2015/042111, 13 pages.

International Search Report and Written Opinion dated Dec. 4, 2015 in corresponding PCT Application PCT/US2015/042111; 13 pages.

Advisory Action dated Apr. 7, 2009; re U.S. Appl. No. 10/833,921.

Australia Exam Report, dated Feb. 9, 2015, by IP Australia, re App No. 2011352095.

Canadian Examiner's Report dated Jan. 11, 2016, by the CIPO, re App No. 2749110.

Canadian Examiner's Report dated Oct. 22, 2015, by the CIPO, re App No. 2686204.

Canadian Examiner's Report, dated Oct. 8, 2014, by the CIPO, re App No. 2823213.

Canadian Examiner's Report, dated May 13, 2014, by the CIPO, re App No. 153846.

Canadian Office Action dated May 17, 2011, re App No. 2486126.

Chinese Office Action dated Mar. 15, 2013, re App No. 200910226583.9.

Chinese Office Action, dated Sep. 2, 2014, by SIPO, re App No. 201080008236.X.

Chinese Office Action dated Oct. 29, 2013, re App No. 201080008236.X.

Decision on Appeal dated Feb. 20 2013, re U.S. Appl. No. 10/831,467.

Dirk Guth et al., "New Technology for a High Dynamical MRF-Clutch for Safe and Energy-Efficient Use in Powertrain," FISITA 2012 World Automotive Congress, Beijing, China, Nov. 27-30, 2012, 31 pages.

Election Requirement, dated Nov. 18, 2014, re U.S. Appl. No. 29/455,618.

Examiner's Answer dated Jan. 29, 2010, re U.S. Appl. No. 10/831,467.

Examiners Interview Summary dated Apr. 10, 2008, re U.S. Appl. No. 10/833,921.

Examiners Interview Summary dated Jul. 17, 2008, re U.S. Appl. No. 10/831,467.

Gardner Denver Well Servicing Pump Model C-2500Q Power End Parts List, Feb. 2009.

International Preliminary Report on Patentability, by the IPEA/US, dated Mar. 9, 2015 re PCT/US2013/040106.

International Preliminary Report on Patentability by the IPEA/US, dated Jan. 4, 2012 re PCT/US2010/039651.

International Preliminary Report on Patentability, by the IPEA/US, dated Jul. 12, 2011 re PCT/US2010/020445.

International Preliminary Report on Patentability, by the IPEA/US, dated Jul. 12, 2011 re PCT/US2010/020447.

International Search Report and Written Opinion, by the ISA/US, dated Mar. 4, 2015, re PCT/US2014/069567.

International Search Report and Written Opinion, by the ISA/US, dated Aug. 3, 2010, re PCT/US2010/020445.

International Search Report and Written Opinion, by the ISA/US, dated Aug. 3, 2010, re PCT/US2010/020447, 7 pages.

International Search Report and Written Opinion, by the ISA/US, dated Feb. 24, 2011, re PCT/US2010/039651, 7 pages.

International Search Report and Written Opinion, by the ISA/US, dated Aug. 28, 2012, re PCT/US2011/067770, 6 pages.

International Search Report and Written Opinion, by the ISA/US, dated Nov. 27, 2015, re PCT/US2015/038008.

International Search Report and Written Opinion, by the ISA/US, dated Oct. 19, 2015, re PCT/US2015/042119.

International Search Report and Written Opinion, by the ISA/US, dated Sep. 5, 2013, re PCT/US2013/040106.

"Metaldyne, Torsional Vibration Dampers, Brochure."

MSI/Dixie Iron Works, Ltd., Technical Manual for 600 HP Triplex MSI TI-600 Pump, Rev. P. 102 pages, date unknown.

MSI/Dixie Iron Works, Ltd., Technical Manual for MSI Hybrid Well Service Pump Triplex and Quintuplex Modesl, Rev. D, 91 pages, date unknown.

Notice of Allowance dated Dec. 23, 2011, re U.S. Appl. No. 12/277,849.

Notice of Allowance dated Feb. 12, 2016, re U.S. Appl. No. 29/534,091.

Notice of Allowance dated Jan. 28, 2015, re U.S. Appl. No. 29/455,618.

Notice of Allowance dated Oct. 12, 2012, U.S. Appl. No. 12/683,804.

Office Action/Restriction dated Mar. 29, 2016, re U.S. Appl. No. 14/565,962.

Office Action dated Apr. 19, 2012, re U.S. Appl. No. 12/821,663.

Office Action dated Jan. 18, 2013, re U.S. Appl. No. 12/748,127.

Office Action dated Jan. 2, 2014, re U.S. Appl. No. 13/866,121.

Office Action dated Jan. 21, 2009, re U.S. Appl. No. 10/833,921.

Office Action dated Jan. 27, 2012, re U.S. Appl. No. 12/683,804.

Office Action dated Jul. 16, 2007, re U.S. Appl. No. 10/831,467.

Office Action dated Jul. 16, 2012, re U.S. Appl. No. 12/683,804.

Office Action dated Jul. 28, 2008, re U.S. Appl. No. 10/833,921.

Office Action dated Jun. 1, 2016, re U.S. Appl. No. 14/565,962.

Office Action dated Jun. 24, 2009, re U.S. Appl. No. 10/831,467.

Office Action dated Mar. 8, 2016, re U.S. Appl. No. 14/262,880.

Office Action dated Mar. 9, 2012, re U.S. Appl. No. 12/821,663.

Office Action dated May 23, 2013, re U.S. Appl. No. 12/683,900.

Office Action dated May 29, 2007, re U.S. Appl. No. 10/833,921.

Office Action dated Nov. 14, 2008, re U.S. Appl. No. 10/831,467.

Office Action dated Oct. 11, 2011, re U.S. Appl. No. 12/277,849.

Office Action dated Oct. 7, 2013, re U.S. Appl. No. 13/843,525.

Office Action dated Sep. 18, 2007, re U.S. Appl. No. 10/833,921.

Office Action dated Sep. 29, 2014, re U.S. Appl. No. 13/339,640.

SPM QEM2500 GL Well Service Plunger Pump, Generic Operation Instruction and Service Manual, May 8, 2010.

Suction Requirements for Reciprocating Power Pumps, p. 59, Figure 3.4 Composite Pump Dynamics.

Supplemental Notice of Allowance dated Mar. 21, 2012, re U.S. Appl. No. 12/277,849.

International Preliminary Report on Patentability, by the IPEA/US, dated Aug. 23, 2016 re PCT/US2013/042043.

Canadian Examiner's Report dated Aug. 18, 2016, re U.S. Appl. No. 29/058,809.

*Estee Lauder Inc. v. L'Oreal, USA*, 129 F.3d 588, 44 U.S.P.Q.2d 1610, No. 96-1512, United States Court of Appeals, Federal Circuit, Decided Nov. 3, 1997.

International Preliminary Report on Patentability, by the IPEA/US, dated Sep. 16, 2016 re PCT/US2015/042104.

International Search Report and Written Opinion, by the ISA/US, dated Oct. 19, 2015, re PCT/US2015/042104.

International Preliminary Report on Patentability dated Feb. 9, 2017 in PCT/US2015/042111, 9 pages.

\* cited by examiner

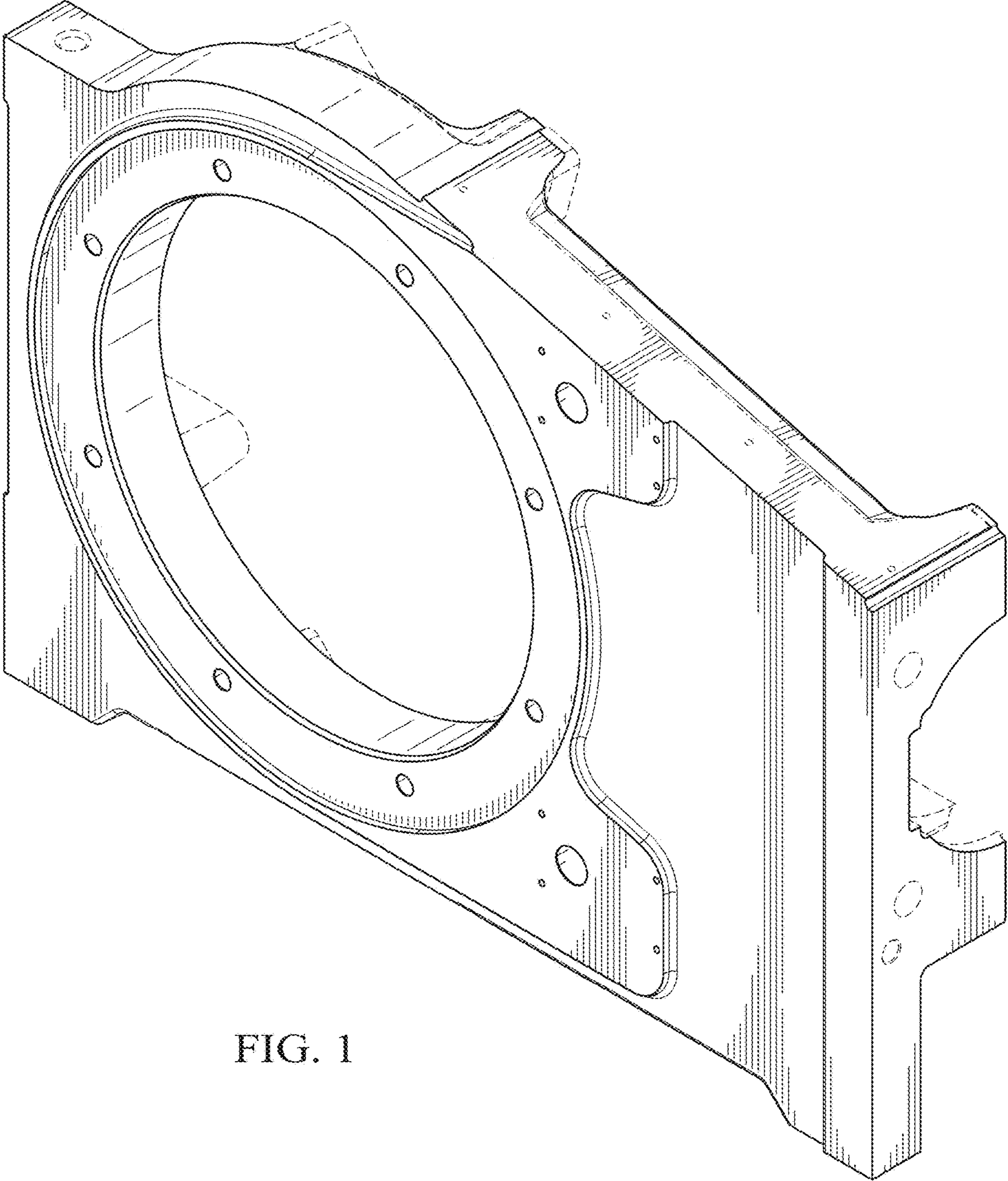


FIG. 1

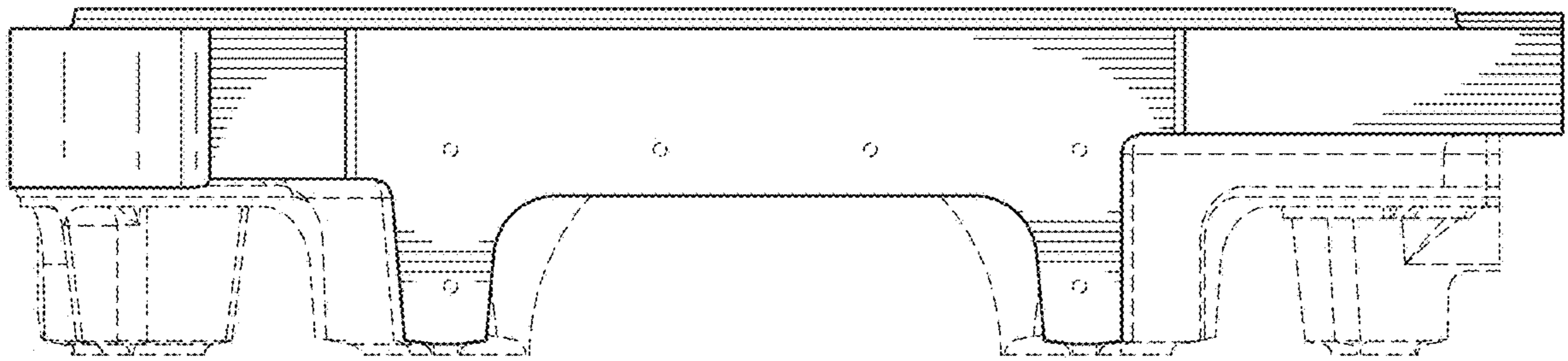


FIG. 3

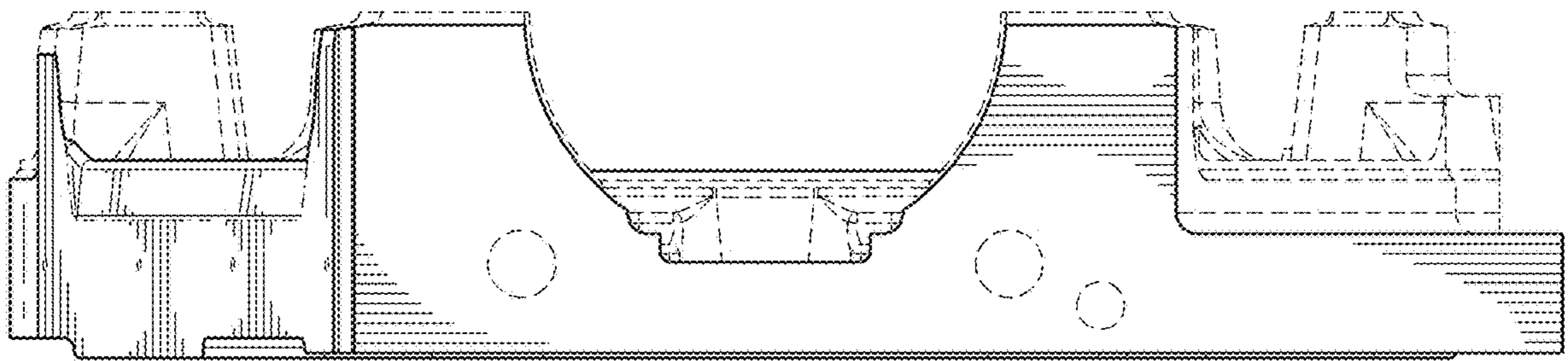


FIG. 2

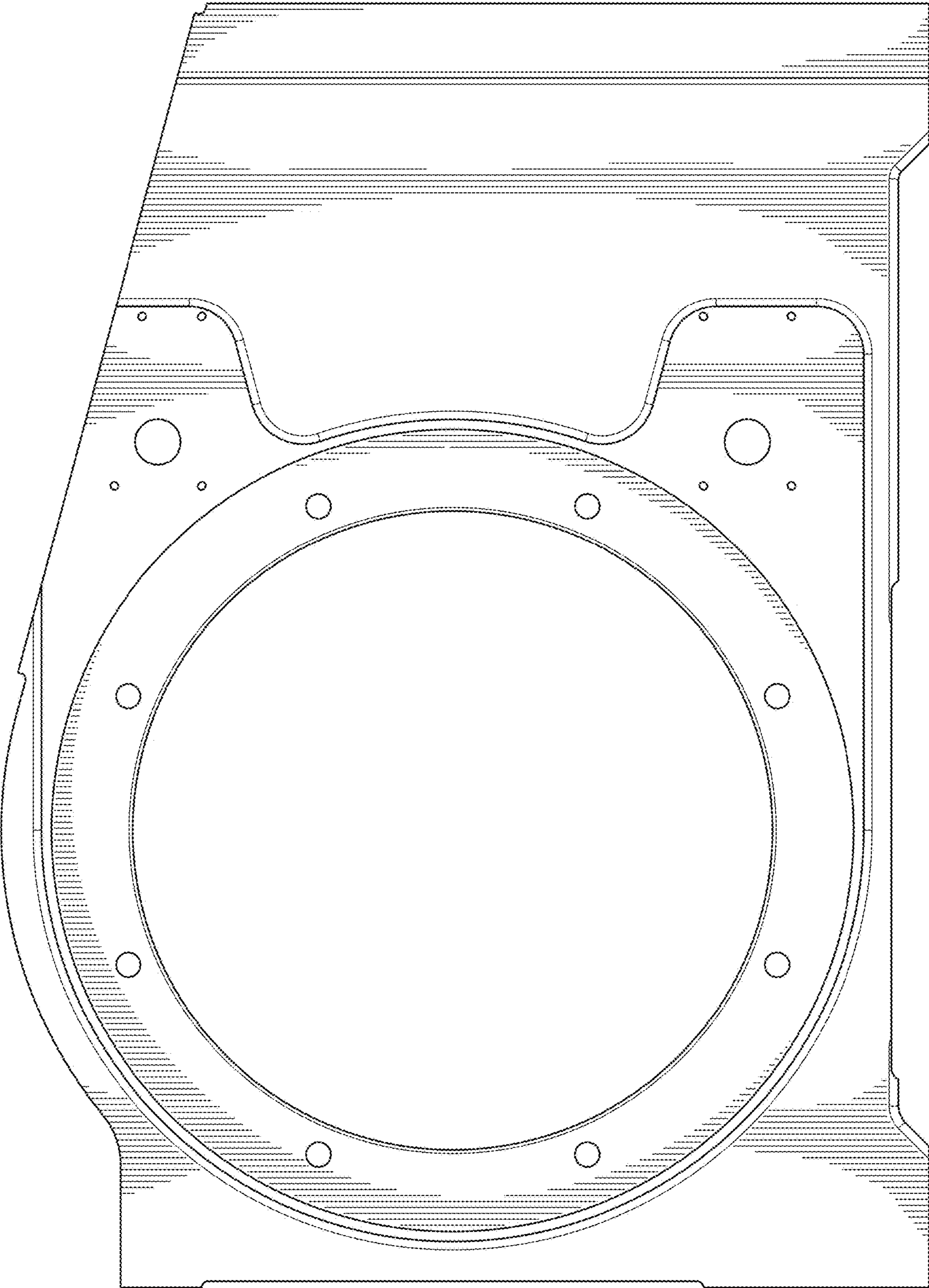


FIG. 4

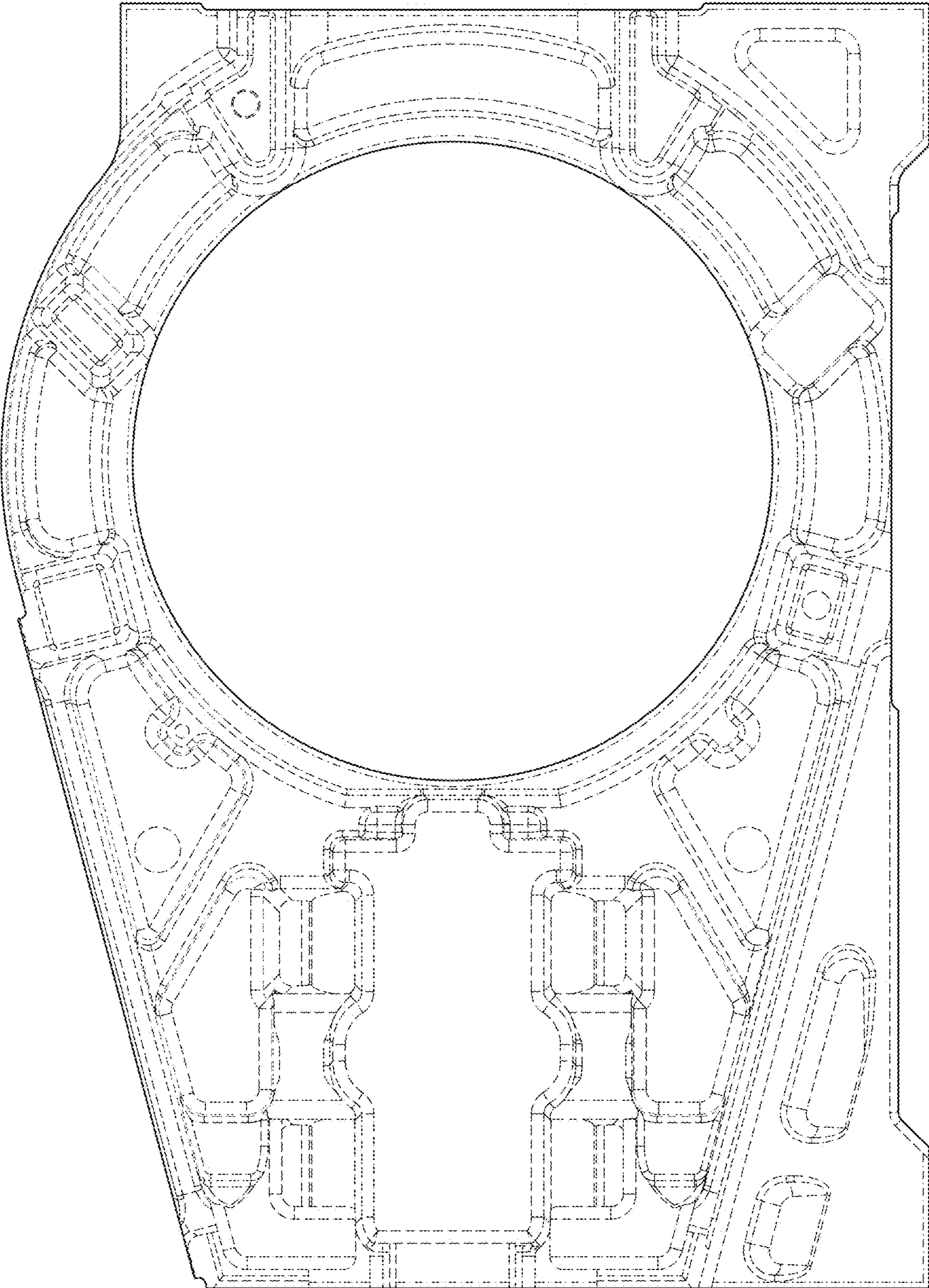


FIG. 5



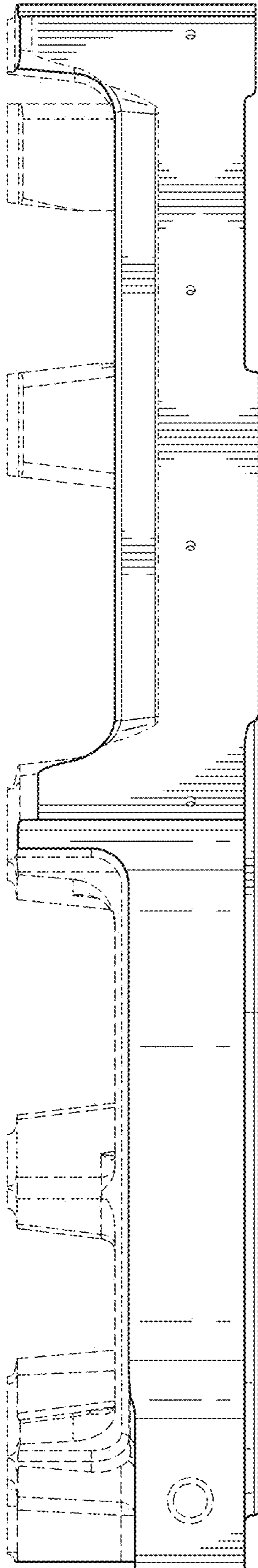


FIG. 6

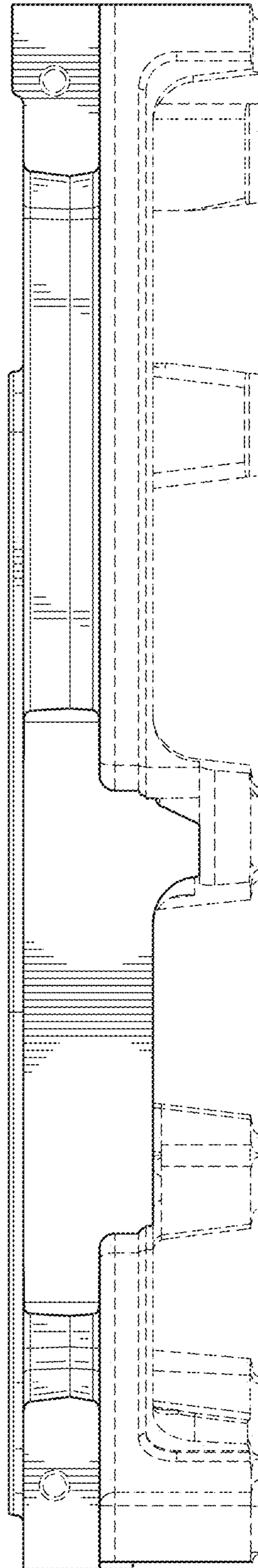


FIG. 7