

US00D870155S

(12) **United States Design Patent**  
**Alexander et al.**

(10) **Patent No.:** **US D870,155 S**

(45) **Date of Patent:** **\*\* Dec. 17, 2019**

(54) **PUMP**

(71) Applicant: **FNA Group, Inc.**, Pleasant Prairie, WI (US)

(72) Inventors: **Gus Alexander**, Inverness, IL (US);  
**Chris Alexander**, Park Ridge, IL (US);  
**Richard J. Gilpatrick**, Burlington, WI (US);  
**Paulo Rogerio Funk Kolicheski**, Gurnee, IL (US)

(73) Assignee: **FNA Group, Inc.**, Pleasant Prairie, WI (US)

(\*\*) Term: **15 Years**

(21) Appl. No.: **29/654,999**

(22) Filed: **Jun. 29, 2018**

(51) **LOC (12) Cl.** ..... **15-02**

(52) **U.S. Cl.**  
USPC ..... **D15/7**

(58) **Field of Classification Search**  
USPC ..... D15/7-9; D23/231, 232, 225  
CPC ..... F04B 53/22; F04B 1/0448; F04B 53/92;  
F04B 1/005; F04B 17/00; F02M 37/04;  
F02M 37/14; F04D 13/06; F04D 29/22;  
F04D 29/046; F04D 29/2266  
See application file for complete search history.

(56) **References Cited**

**U.S. PATENT DOCUMENTS**

D354,495 S *	1/1995	Tojo	.....	D15/7
D536,005 S *	1/2007	Reverberi	.....	D15/5
D538,824 S *	3/2007	Tojo	.....	D15/7
D613,765 S *	4/2010	Reverberi	.....	D15/5
D613,766 S *	4/2010	Reverberi	.....	D15/5
D616,467 S *	5/2010	Reverberi	.....	D15/5
D633,101 S *	2/2011	Magri	.....	D15/7
D633,102 S *	2/2011	Magri	.....	D15/7

D633,103 S *	2/2011	Magri	.....	D15/7
D633,104 S *	2/2011	Magri	.....	D15/7
D633,105 S *	2/2011	Magri	.....	D15/7
D633,406 S *	3/2011	Magri	.....	D15/7
D670,312 S *	11/2012	Alexander	.....	D15/7
D688,273 S *	8/2013	Magri	.....	D15/7
D691,638 S *	10/2013	Alexander	.....	D15/7
D692,026 S *	10/2013	Alexander	.....	D15/7
D699,762 S *	2/2014	Alexander	.....	D15/7
D700,211 S *	2/2014	Alexander	.....	D15/7
D726,225 S *	4/2015	Alexander	.....	D15/7
D726,226 S *	4/2015	Alexander	.....	D15/7
D768,208 S *	10/2016	Paderni	.....	D15/7
9,677,548 B2 *	6/2017	Paderni	.....	F04B 1/005
D797,156 S *	9/2017	Paderni	.....	D15/7
D823,898 S *	7/2018	Alexander	.....	D15/7
D823,899 S *	7/2018	Alexander	.....	D15/7

(Continued)

*Primary Examiner* — Mitchell I. Siegel

(74) *Attorney, Agent, or Firm* — Jeffrey T. Placker;  
Holland & Knight LLP

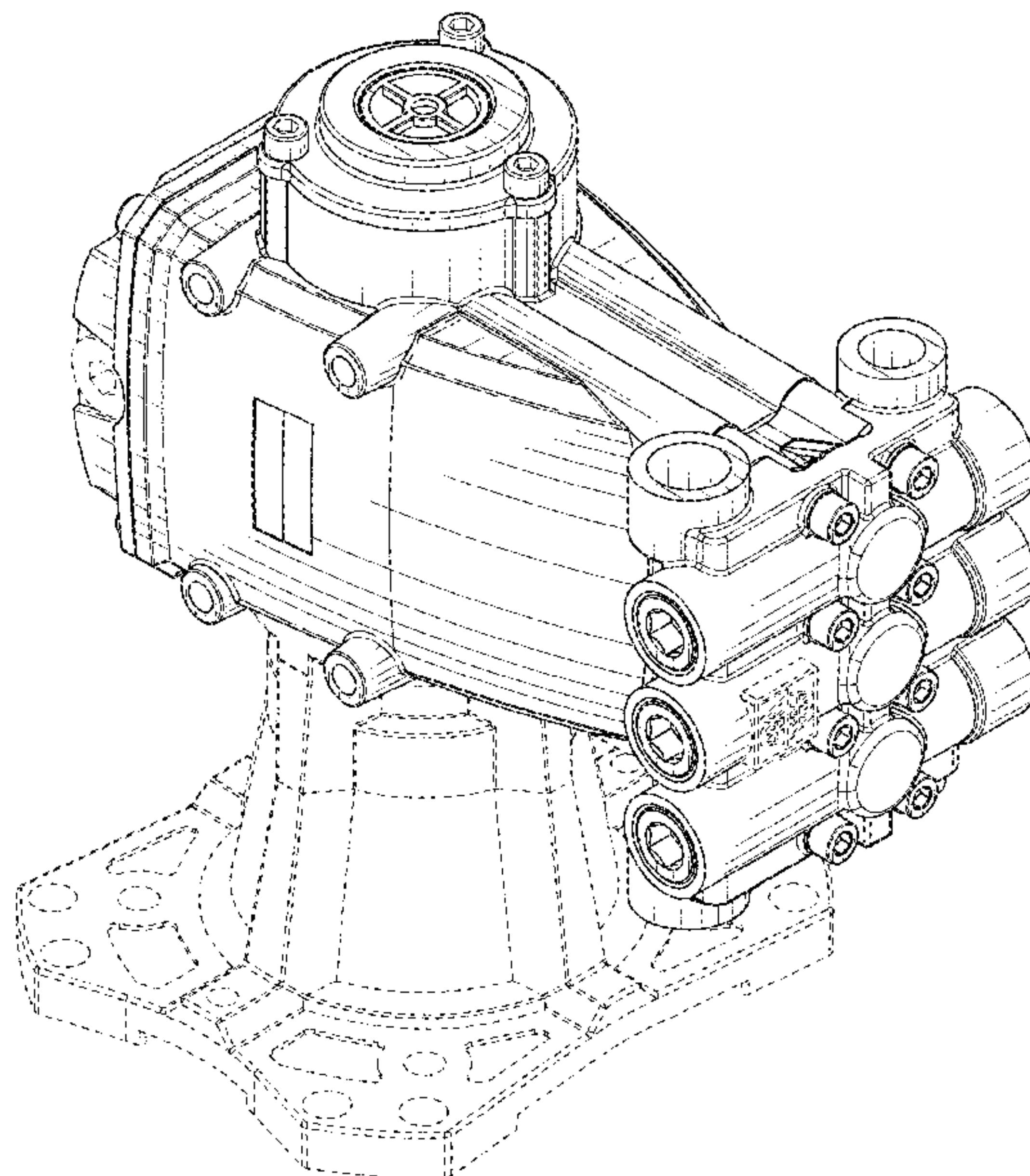
(57) **CLAIM**

The ornamental design for a pump, as shown and described.

**DESCRIPTION**

FIG. 1 is a left-bottom-front perspective view of a pump;  
FIG. 2 is a left-top-front perspective view thereof;  
FIG. 3 is a left-bottom-rear perspective view thereof;  
FIG. 4 is a top-right-front perspective view thereof;  
FIG. 5 is a right-bottom-rear perspective view thereof;  
FIG. 6 is a top plan view thereof;  
FIG. 7 is a bottom plan view thereof;  
FIG. 8 is a rear elevation view thereof;  
FIG. 9 is front elevation view thereof;  
FIG. 10 is a right elevation view thereof; and,  
FIG. 11 is a left elevation view thereof.  
The broken lines are included for the purpose of illustrating portions of the pump that form no part of the claimed design.

**1 Claim, 11 Drawing Sheets**



(56)

**References Cited**

U.S. PATENT DOCUMENTS

D823,900 S \* 7/2018 Alexander ..... D15/7  
D825,615 S \* 8/2018 Alexander ..... D15/7  
2018/0298885 A1\* 10/2018 Gilpatrick ..... F04B 1/145

\* cited by examiner

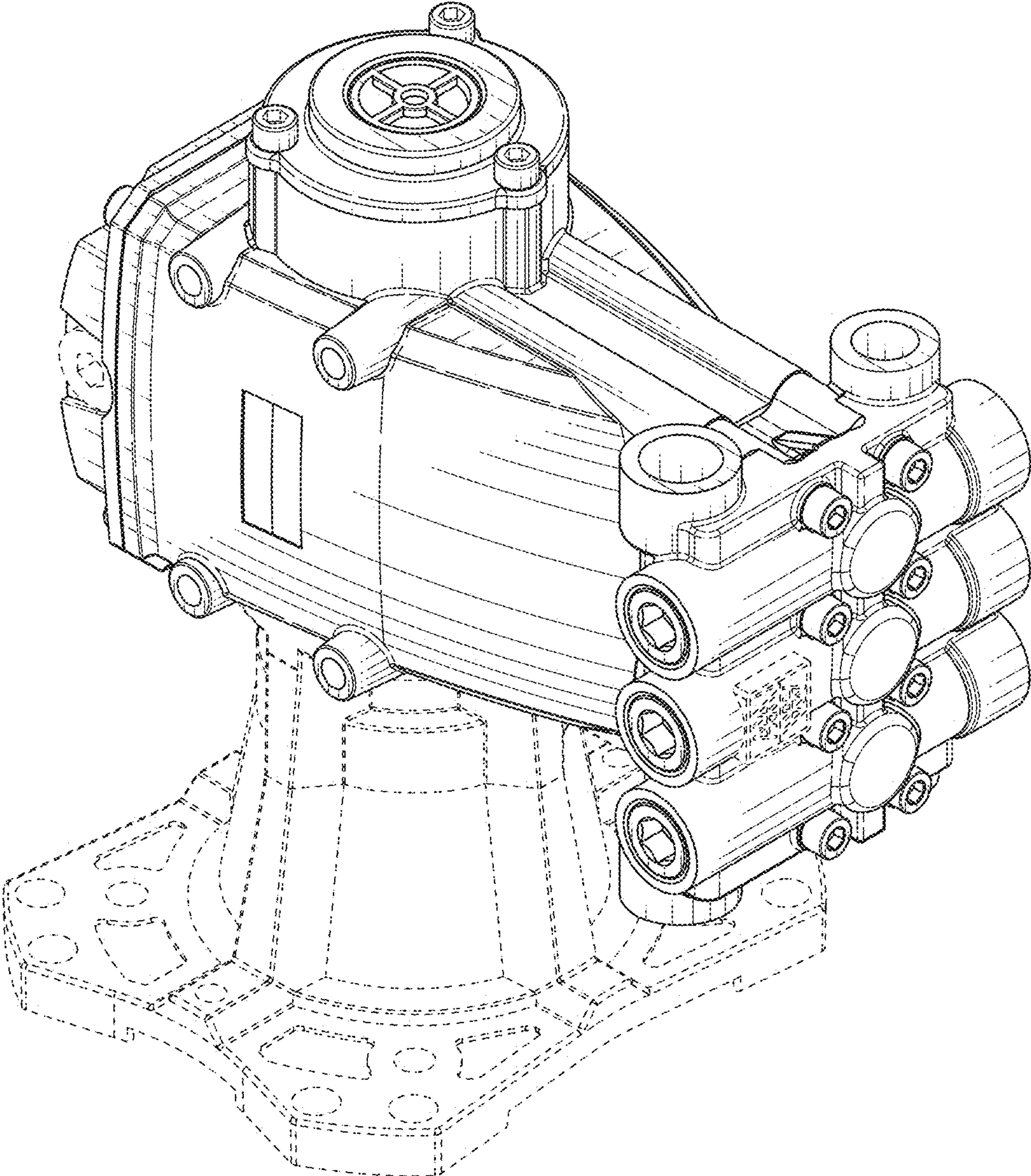


FIG. 1



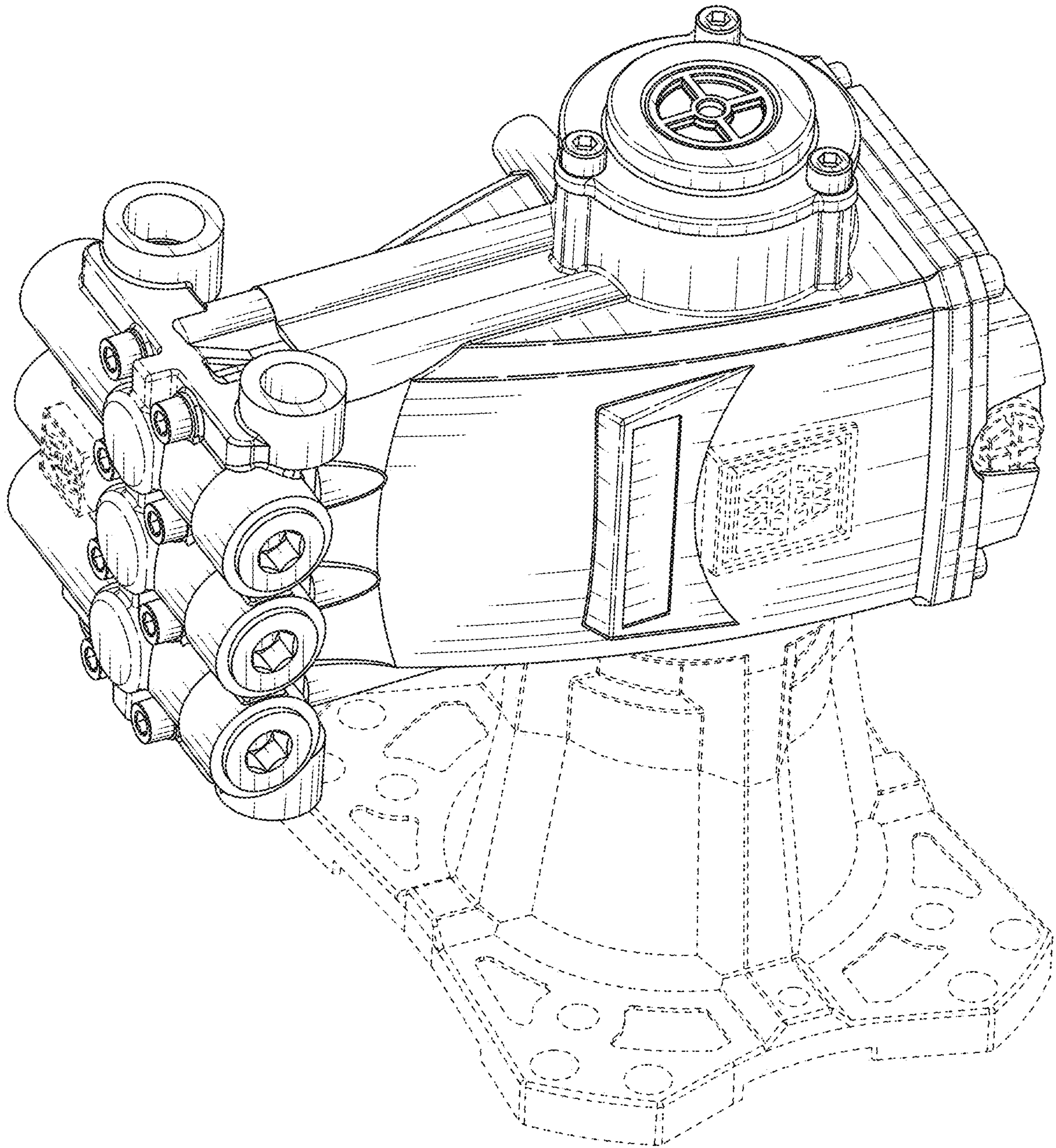


FIG. 2

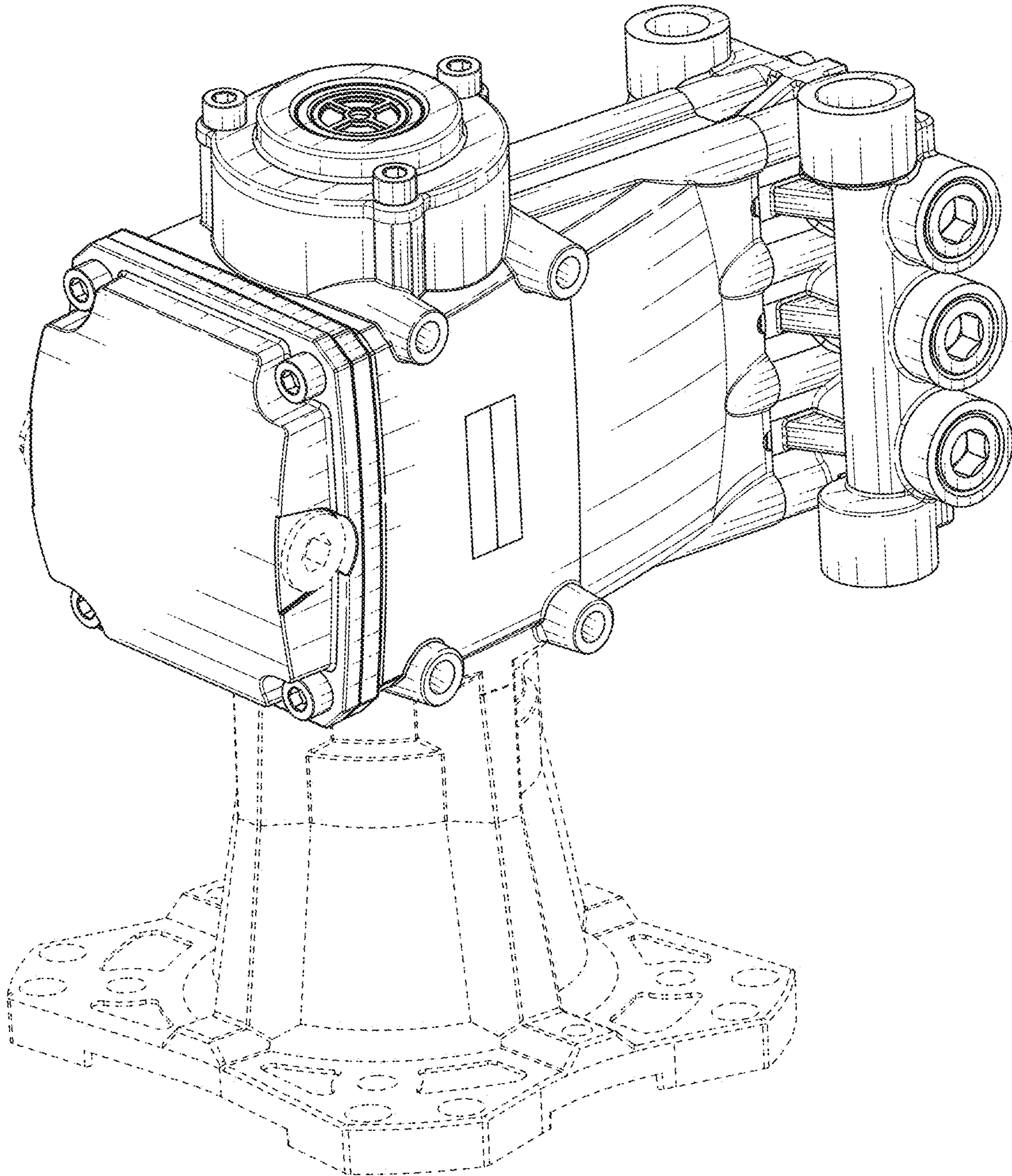


FIG. 3



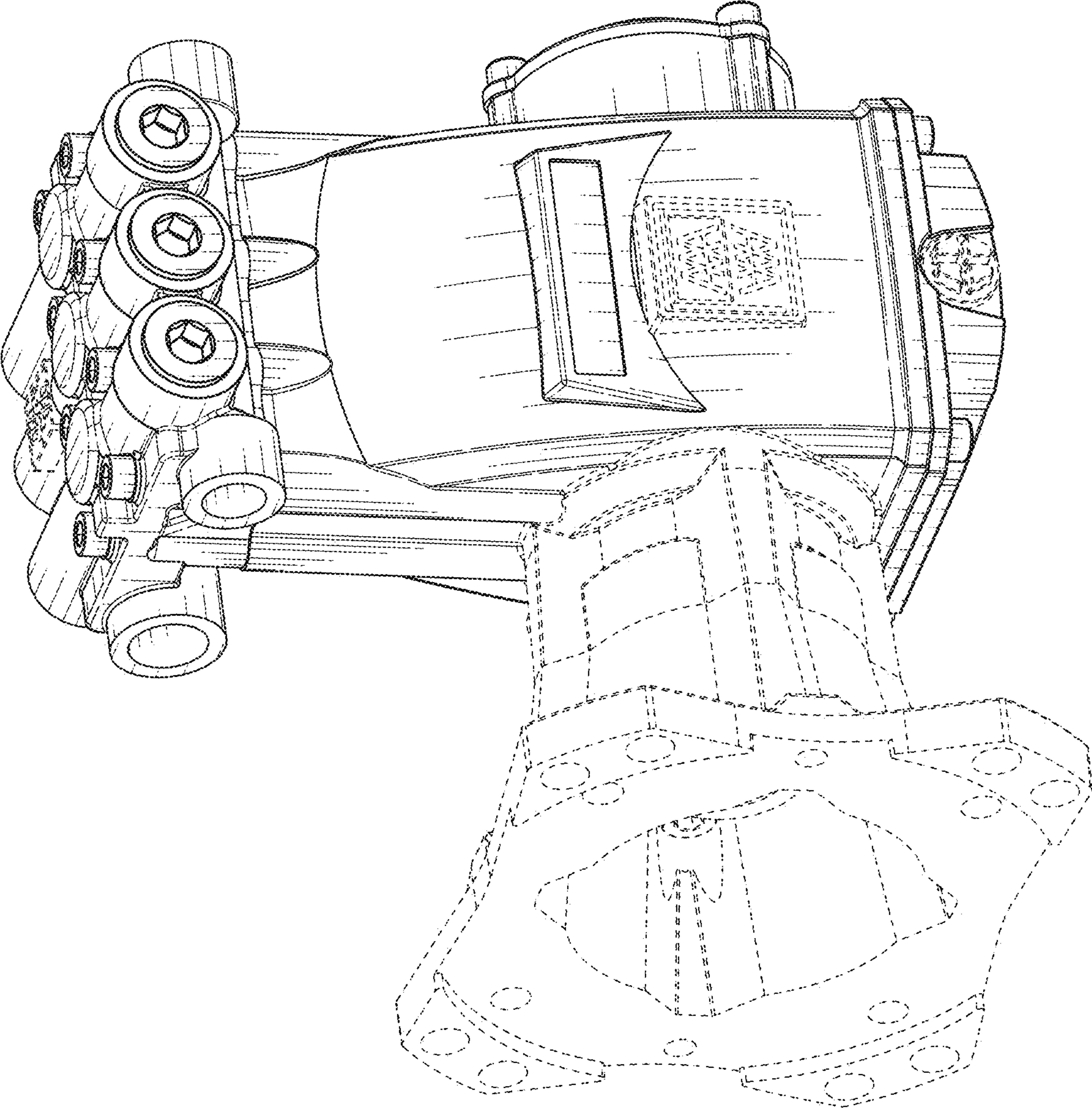


FIG. 4

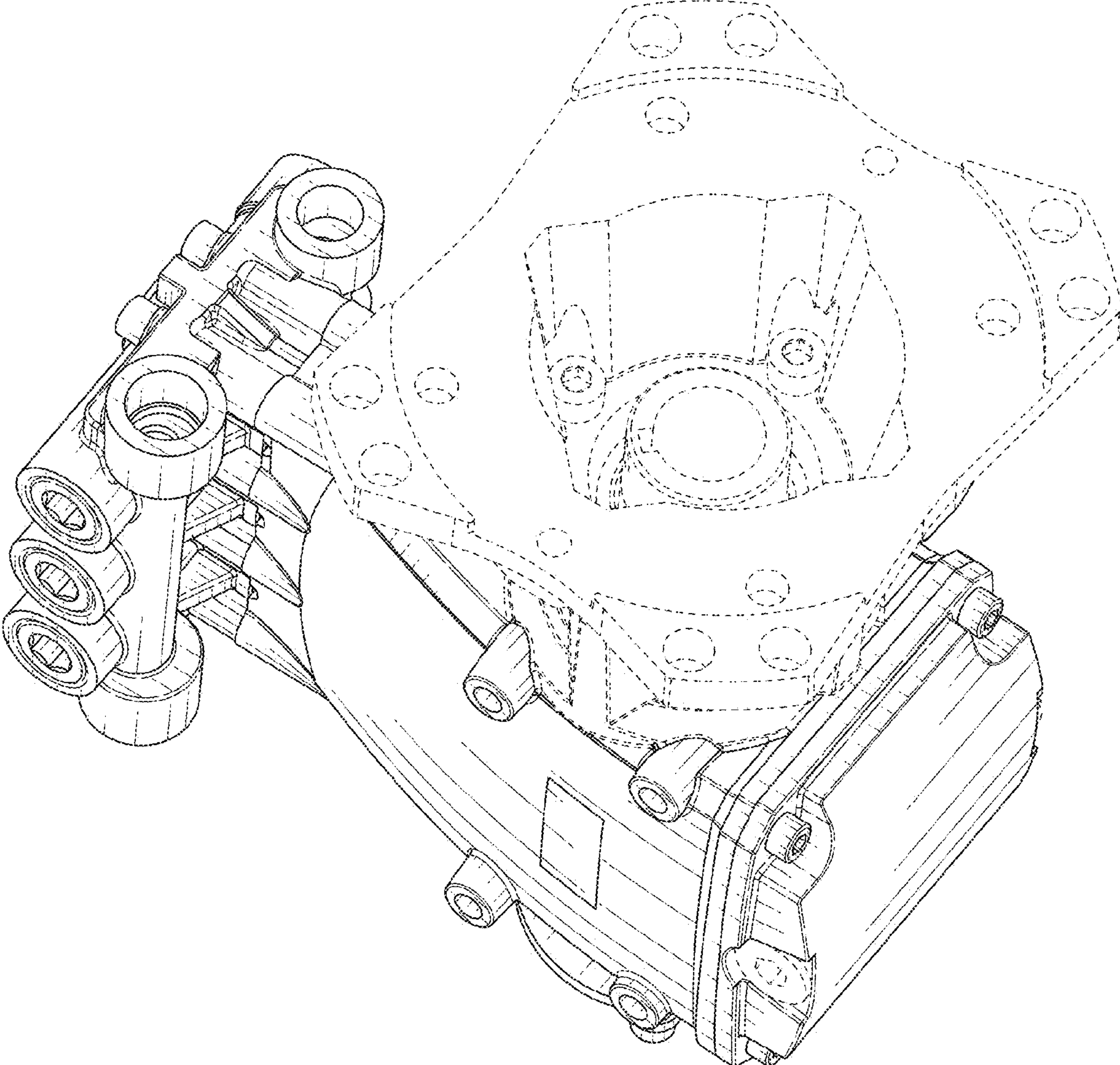


FIG. 5

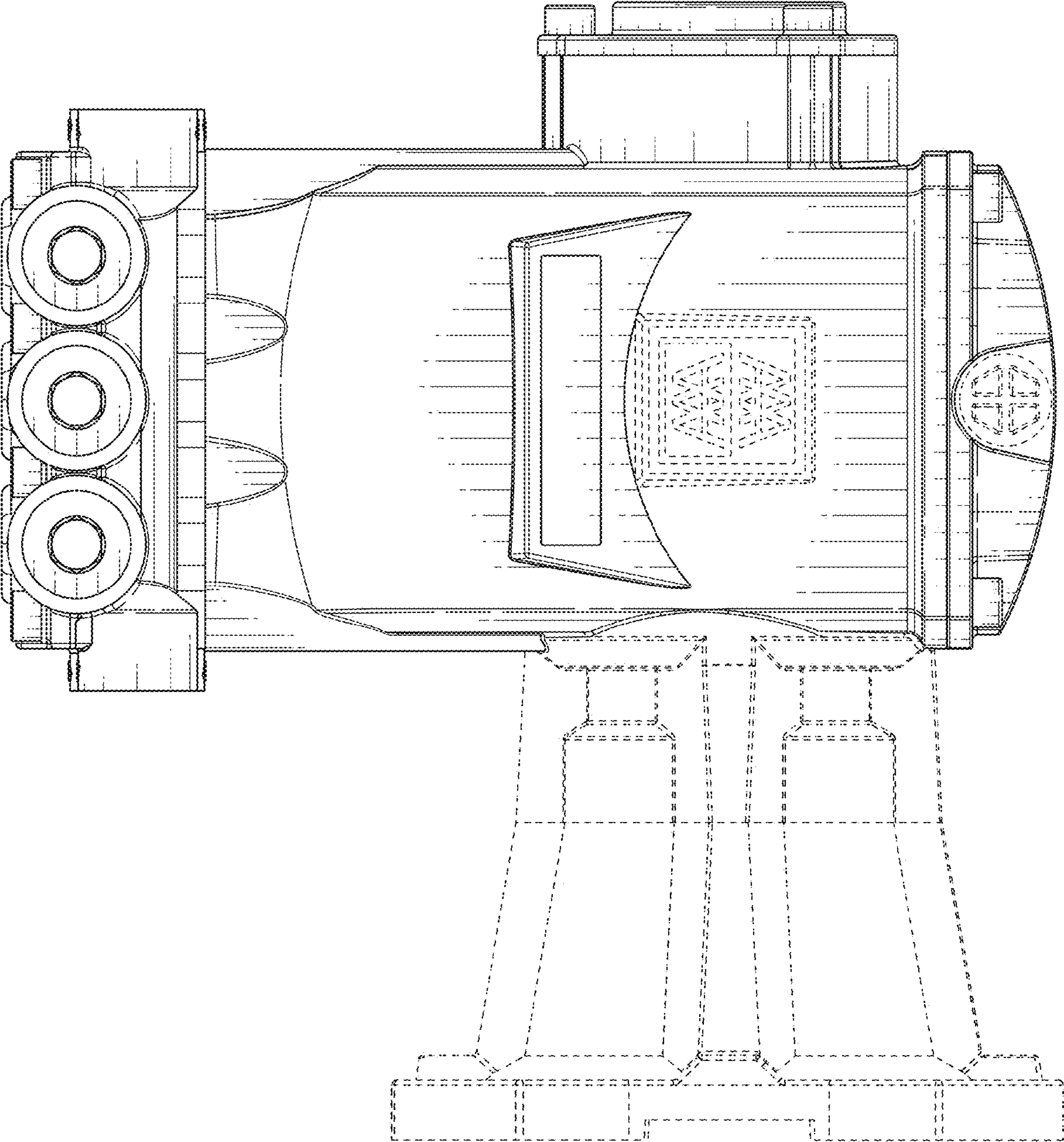


FIG. 6



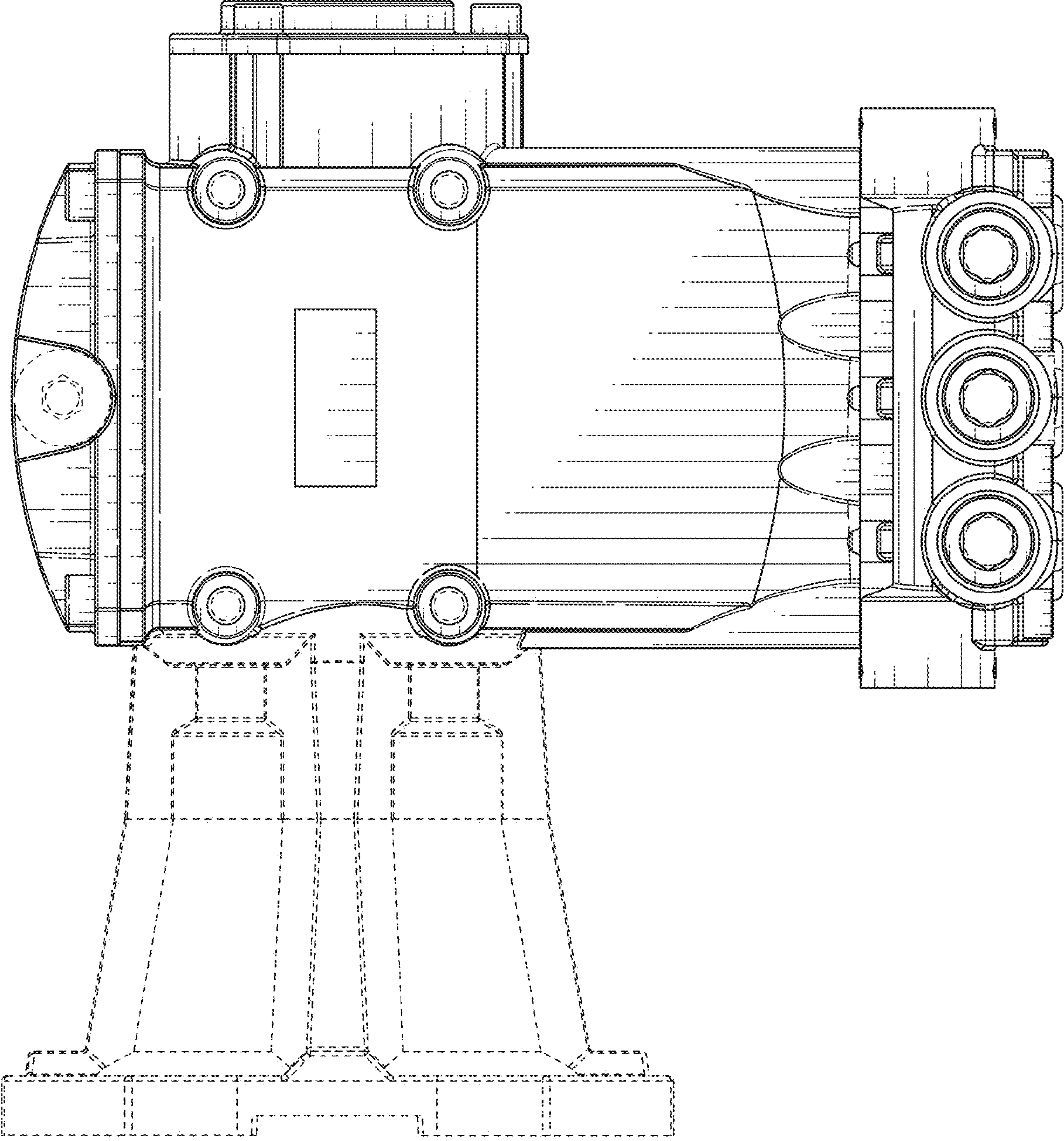


FIG. 7

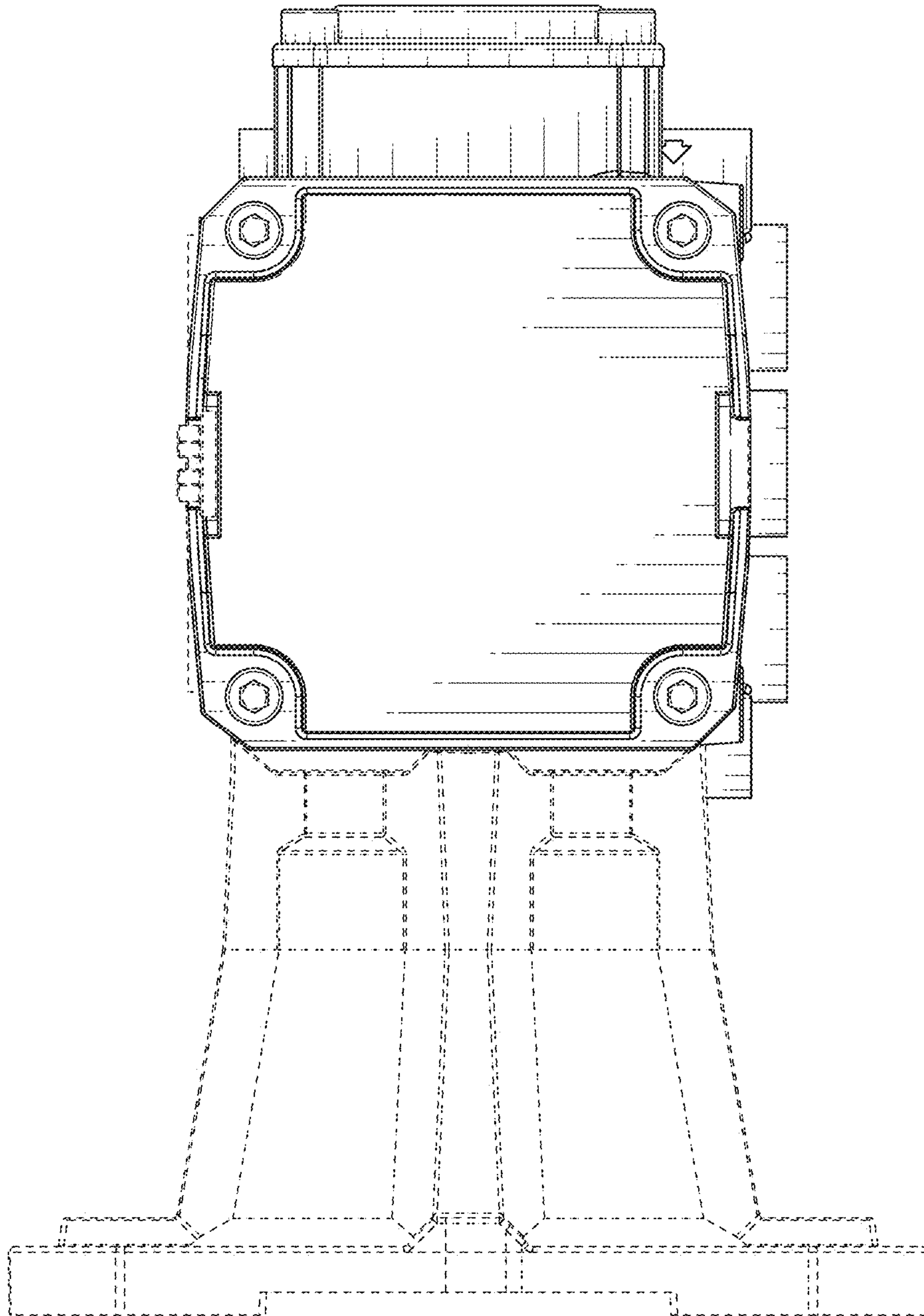


FIG. 8



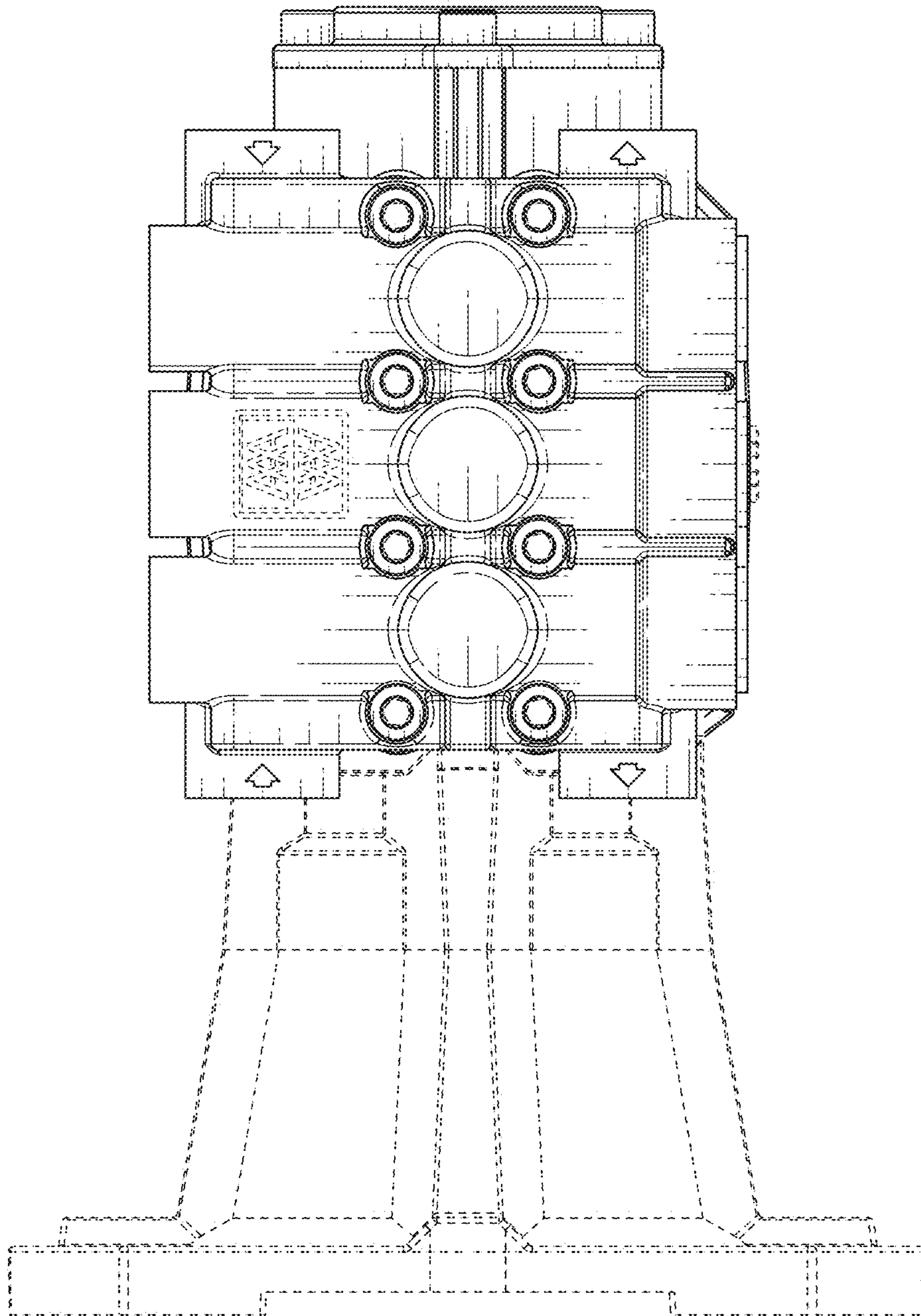


FIG. 9

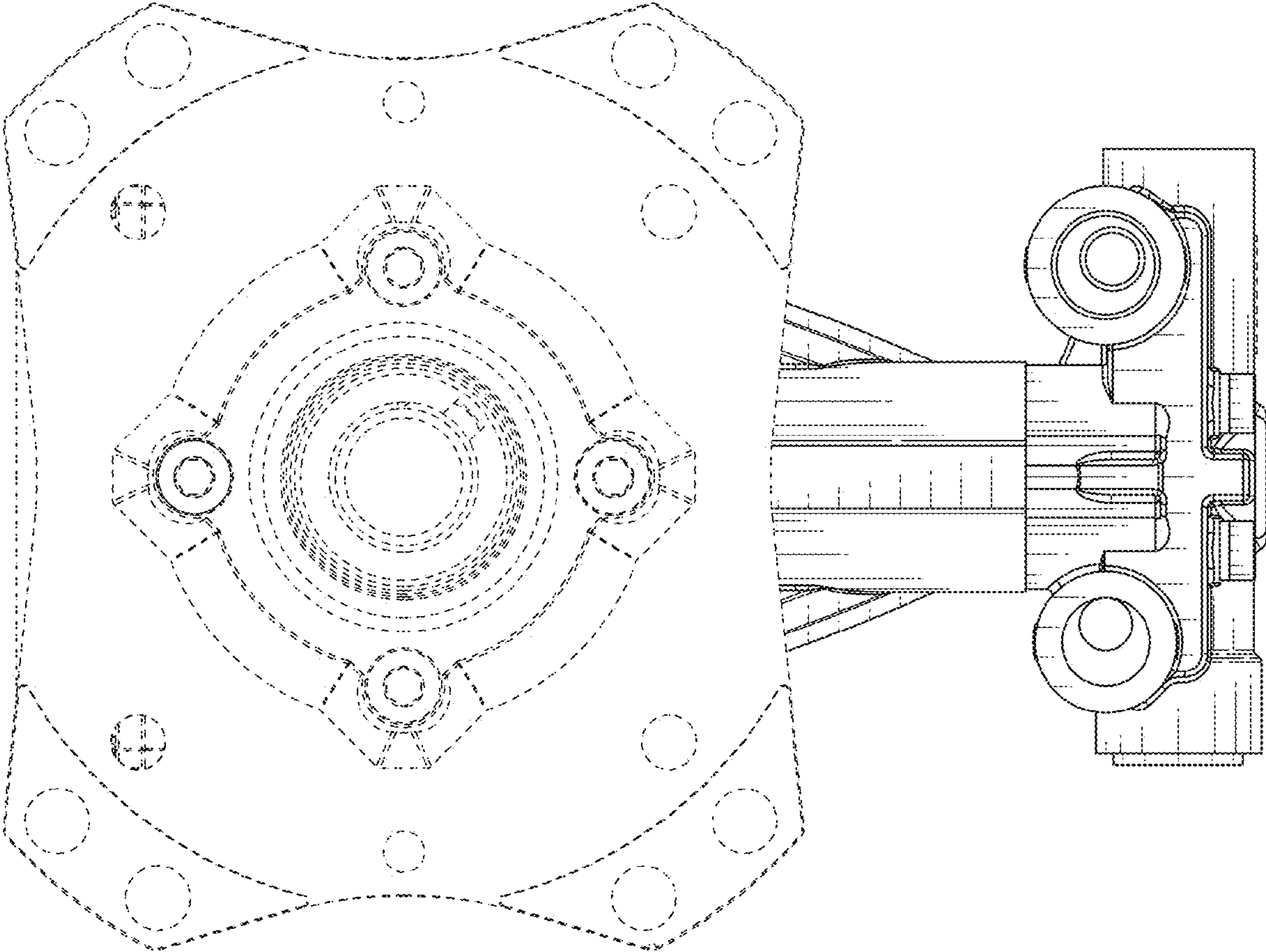


FIG. 10



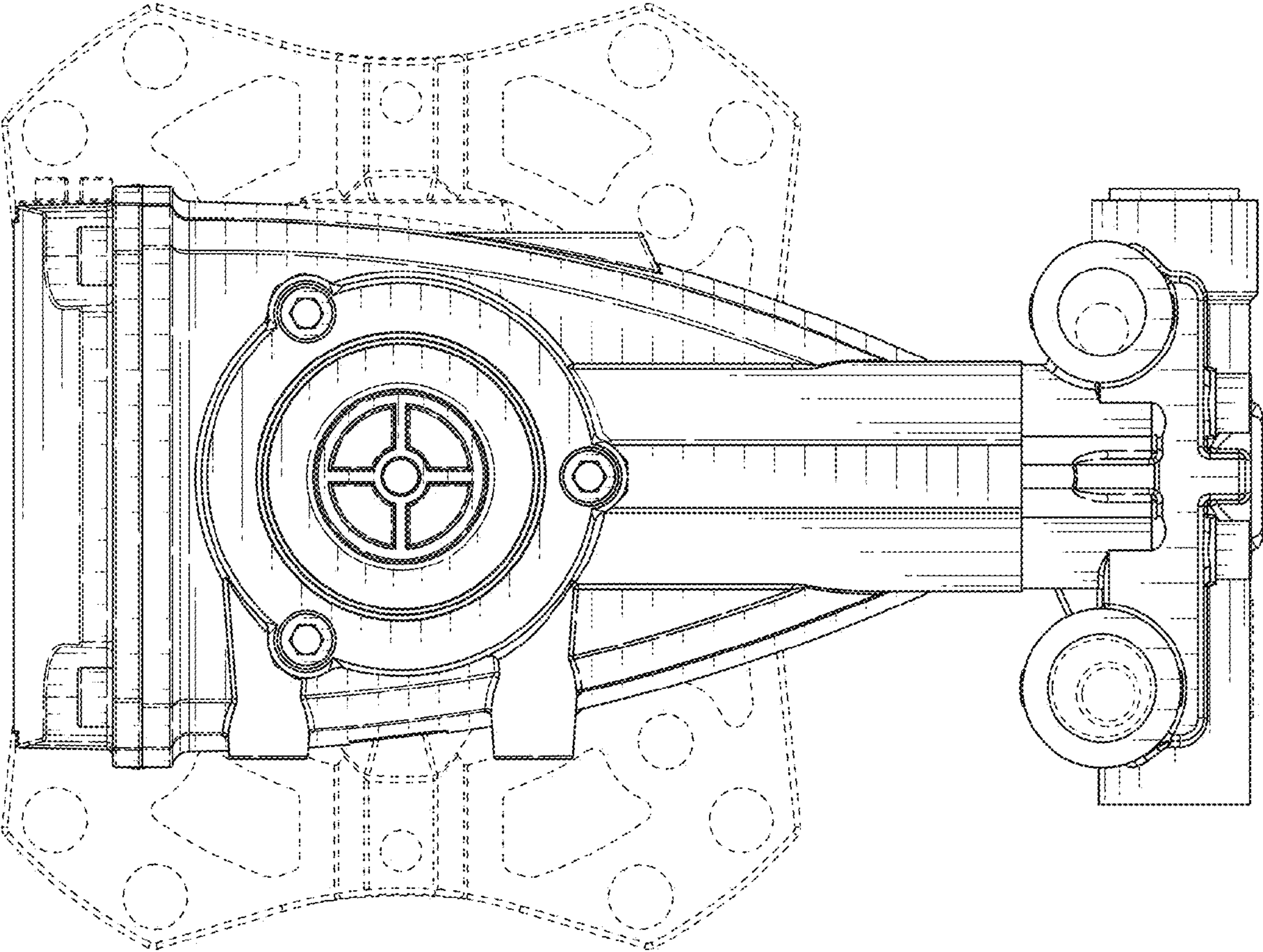


FIG. 11