



US00D870154S

(12) **United States Design Patent**
Huang

(10) **Patent No.:** **US D870,154 S**

(45) **Date of Patent:** **** Dec. 17, 2019**

(54) **SUBMERSIBLE PUMP**

(71) Applicant: **Junzhou Huang**, Guangdong (CN)

(72) Inventor: **Junzhou Huang**, Guangdong (CN)

(**) Term: **15 Years**

(21) Appl. No.: **29/643,931**

(22) Filed: **Apr. 12, 2018**

(30) **Foreign Application Priority Data**

Feb. 6, 2018 (CN) 2018 3 0056358

(51) **LOC (12) Cl.** **15-02**

(52) **U.S. Cl.**
USPC **D15/7**

(58) **Field of Classification Search**
USPC D15/7-9; D23/231, 232
CPC F04B 41/00-41/06; F04D 29/22; F04D
29/046; F04D 29/2266; F04D
13/06-13/10; F02M 37/04; F02M 37/14
See application file for complete search history.

(56) **References Cited**

U.S. PATENT DOCUMENTS

- 2,927,174 A * 3/1960 Walshin F04D 15/0218
200/84 B
- 3,969,043 A * 7/1976 Bright F04D 13/06
417/366
- D242,651 S * 12/1976 Arakawa D15/7
- D258,210 S * 2/1981 Shure D15/7
- D268,412 S * 3/1983 Davis D15/7
- 4,844,699 A * 7/1989 Hoppmann F04F 1/06
417/134
- D316,099 S * 4/1991 Hartz D12/7
- D317,613 S * 6/1991 Channell D15/7
- D327,275 S * 6/1992 Sheldon D15/7
- D355,199 S * 2/1995 Ousey D15/7

- D371,371 S * 7/1996 Hammond D15/7
- D395,317 S * 6/1998 Karlsson D15/7
- D404,399 S * 1/1999 Wang D15/7
- D404,400 S * 1/1999 Wang D15/7
- D435,562 S * 12/2000 Clivio D15/7
- D436,361 S * 1/2001 Yu-Chin D15/8
- D436,362 S * 1/2001 Yu-Chin D15/8
- D445,804 S * 7/2001 Tsai D15/7
- D490,442 S * 5/2004 Kuboshima D15/7
- D491,957 S * 6/2004 Fang D15/7
- D574,017 S * 7/2008 Hernandez, Jr. D15/9
- D667,845 S * 9/2012 Moysi D15/7
- D677,701 S * 3/2013 Moysi D15/7
- D700,213 S * 2/2014 Taniguchi D15/7
- D700,214 S * 2/2014 Taniguchi D15/7
- D700,624 S * 3/2014 Taniguchi D15/7

(Continued)

Primary Examiner — Mitchell I. Siegel

(57) **CLAIM**

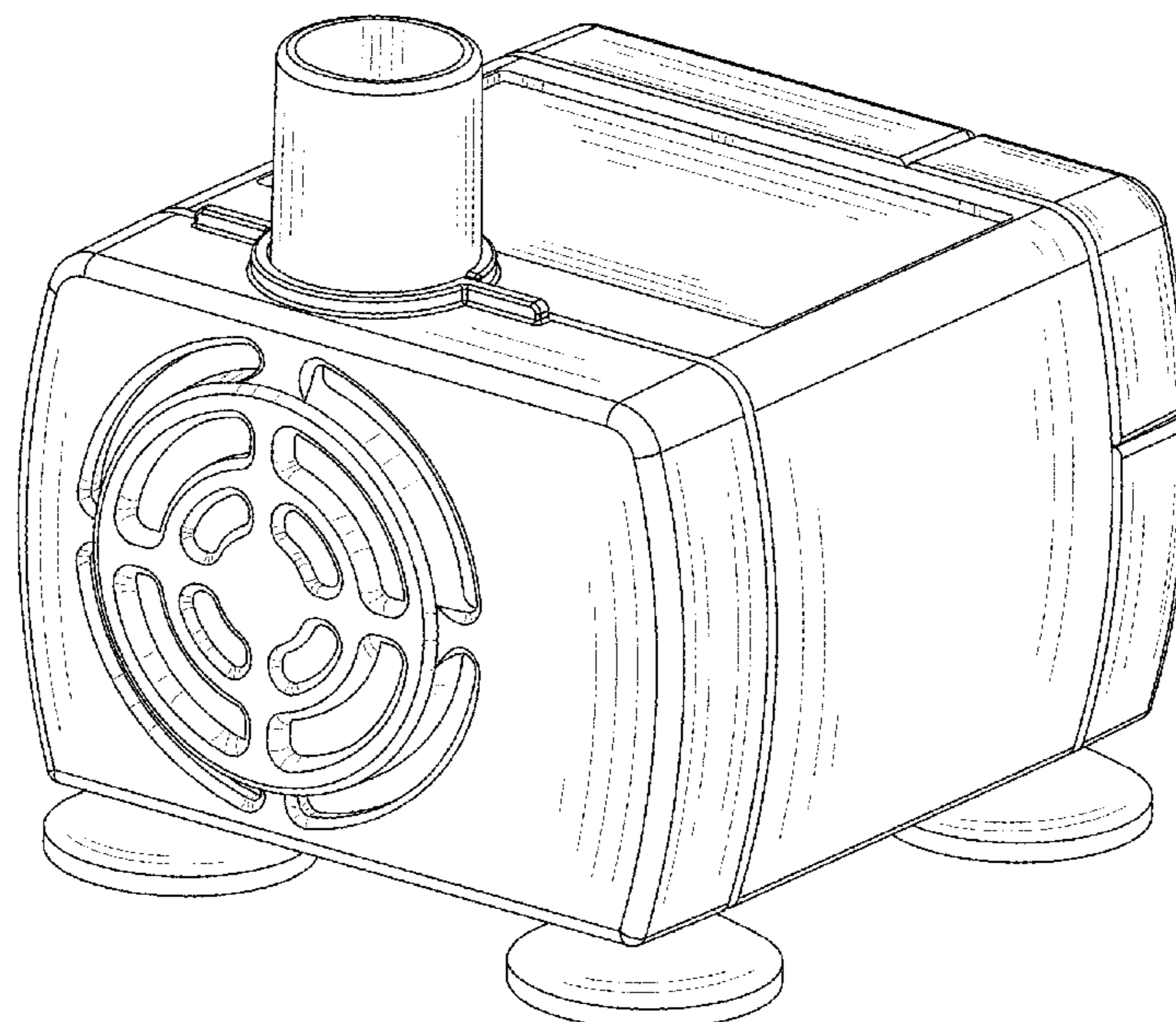
The ornamental design for a submersible pump, as shown and described.

DESCRIPTION

FIG. 1 is a front elevational view of a submersible pump showing my new design;
 FIG. 2 is a rear elevational view thereof;
 FIG. 3 is a left side view thereof;
 FIG. 4 is a right side view thereof;
 FIG. 5 is a top plan view thereof;
 FIG. 6 is a bottom plan view thereof;
 FIG. 7 is a top, front, and right side perspective view thereof;
 FIG. 8 is a top, front, and left side perspective view thereof;
 FIG. 9 is a top, rear, and right side perspective view thereof;
 and,
 FIG. 10 is a bottom, front, and left side perspective view thereof.

The broken lines shown in the drawings depict subject matter which forms no part of the claimed design.

1 Claim, 10 Drawing Sheets



(56)

References Cited

U.S. PATENT DOCUMENTS

D759,727 S *	6/2016	Jiang	D15/9
D826,282 S *	8/2018	Mead	D15/7
D826,283 S *	8/2018	Mead	D15/7
D844,671 S *	4/2019	Walmsley	D15/7

* cited by examiner

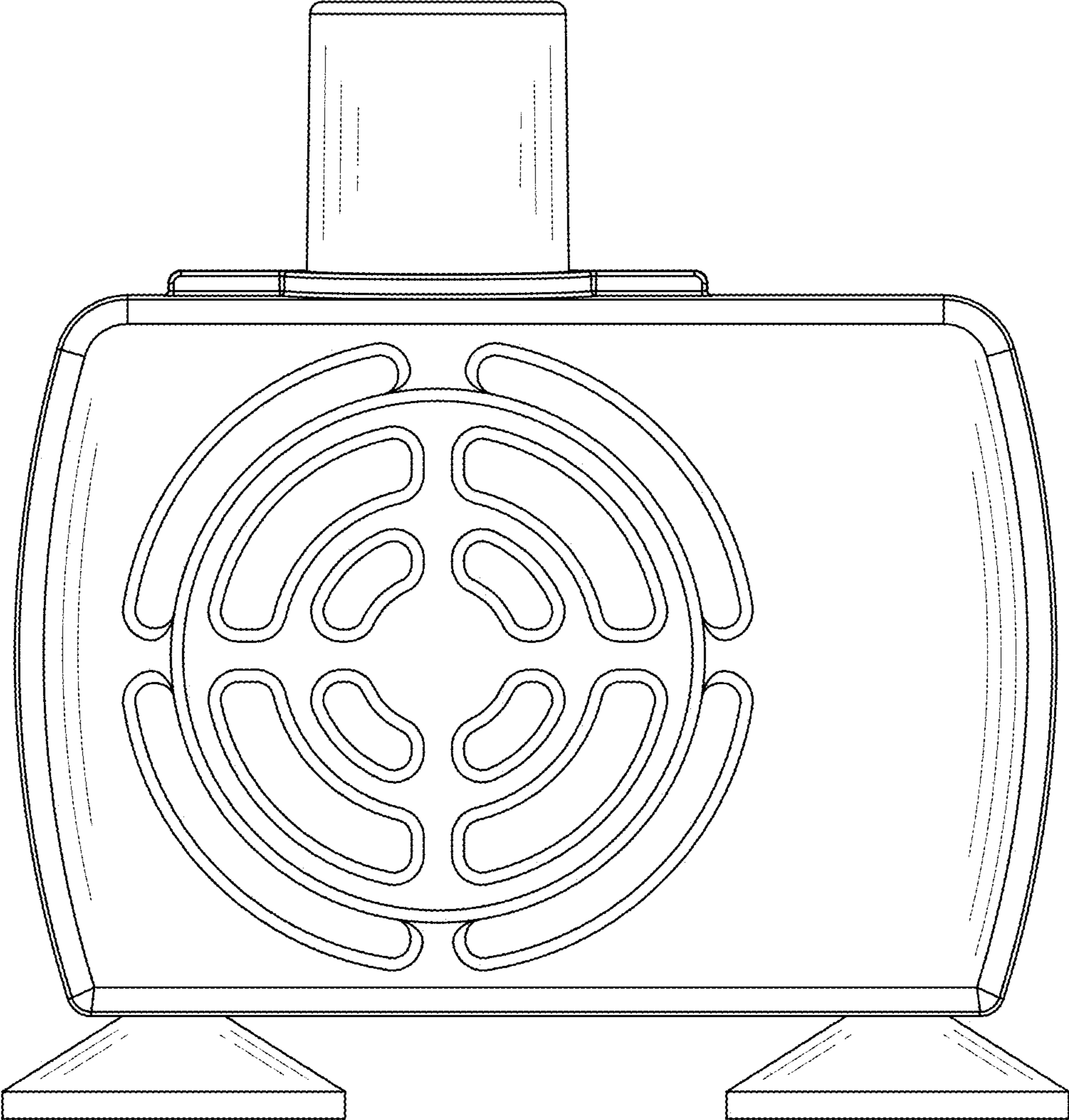


Fig. 1

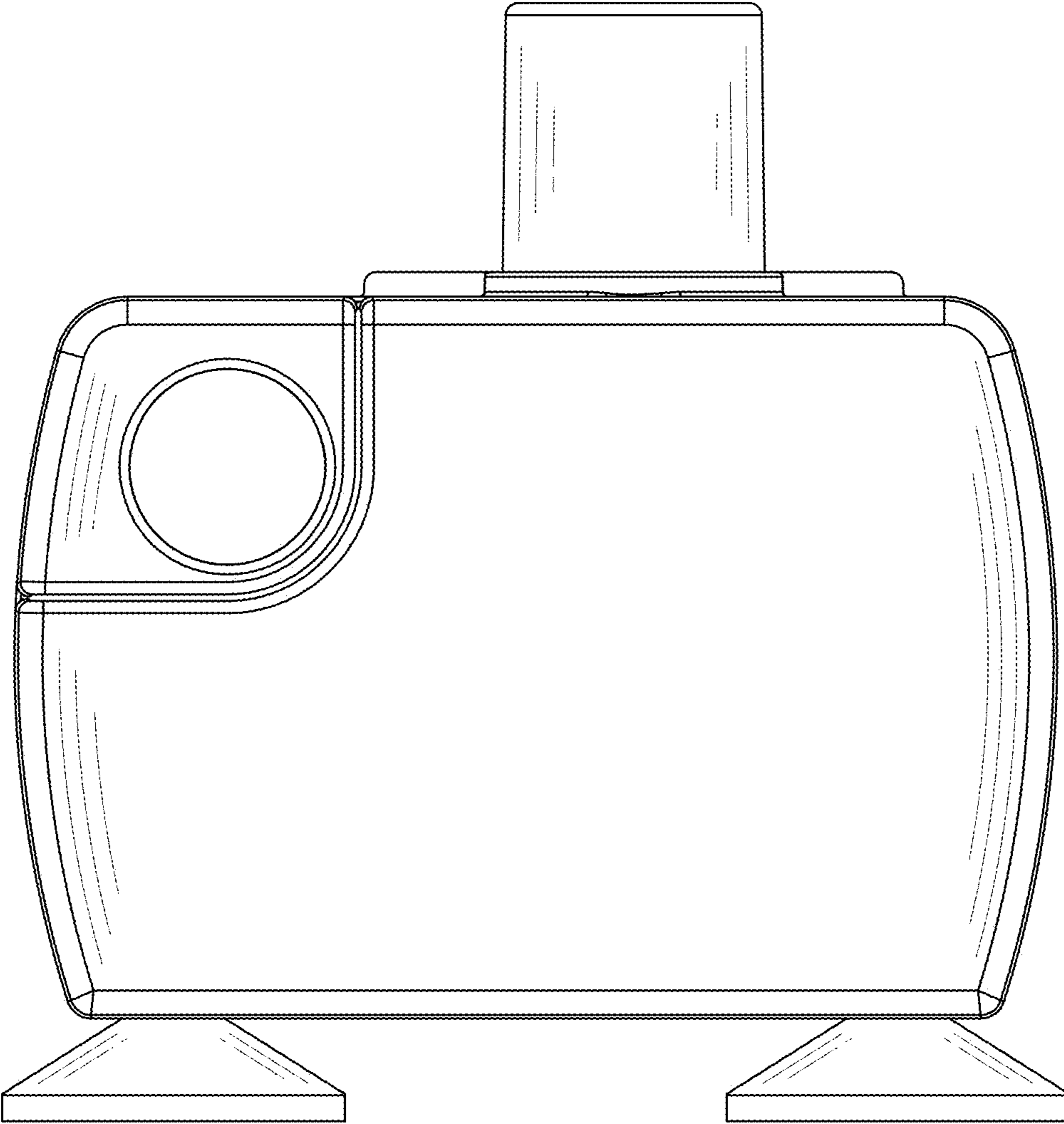


Fig. 2

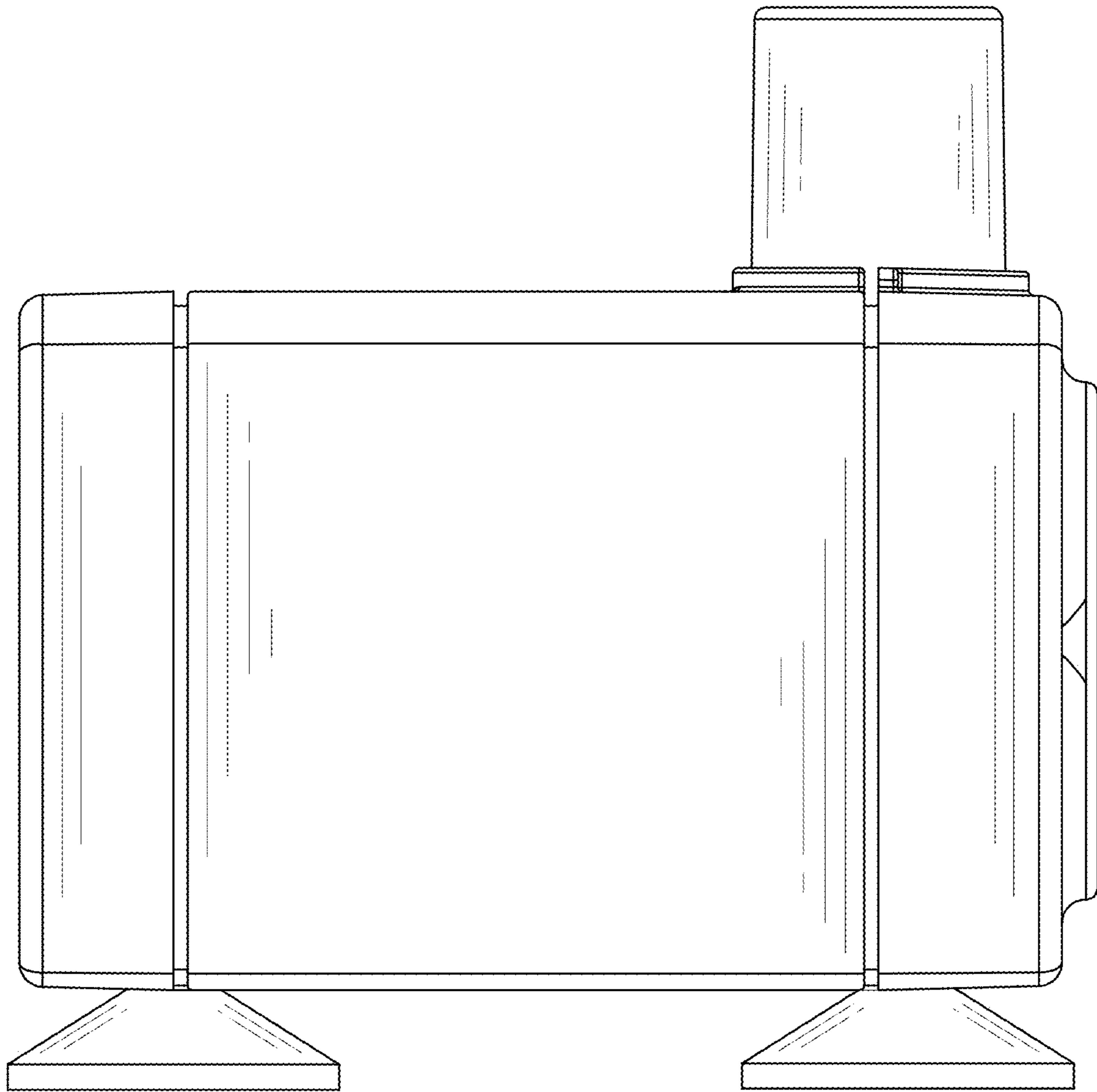


FIG. 3

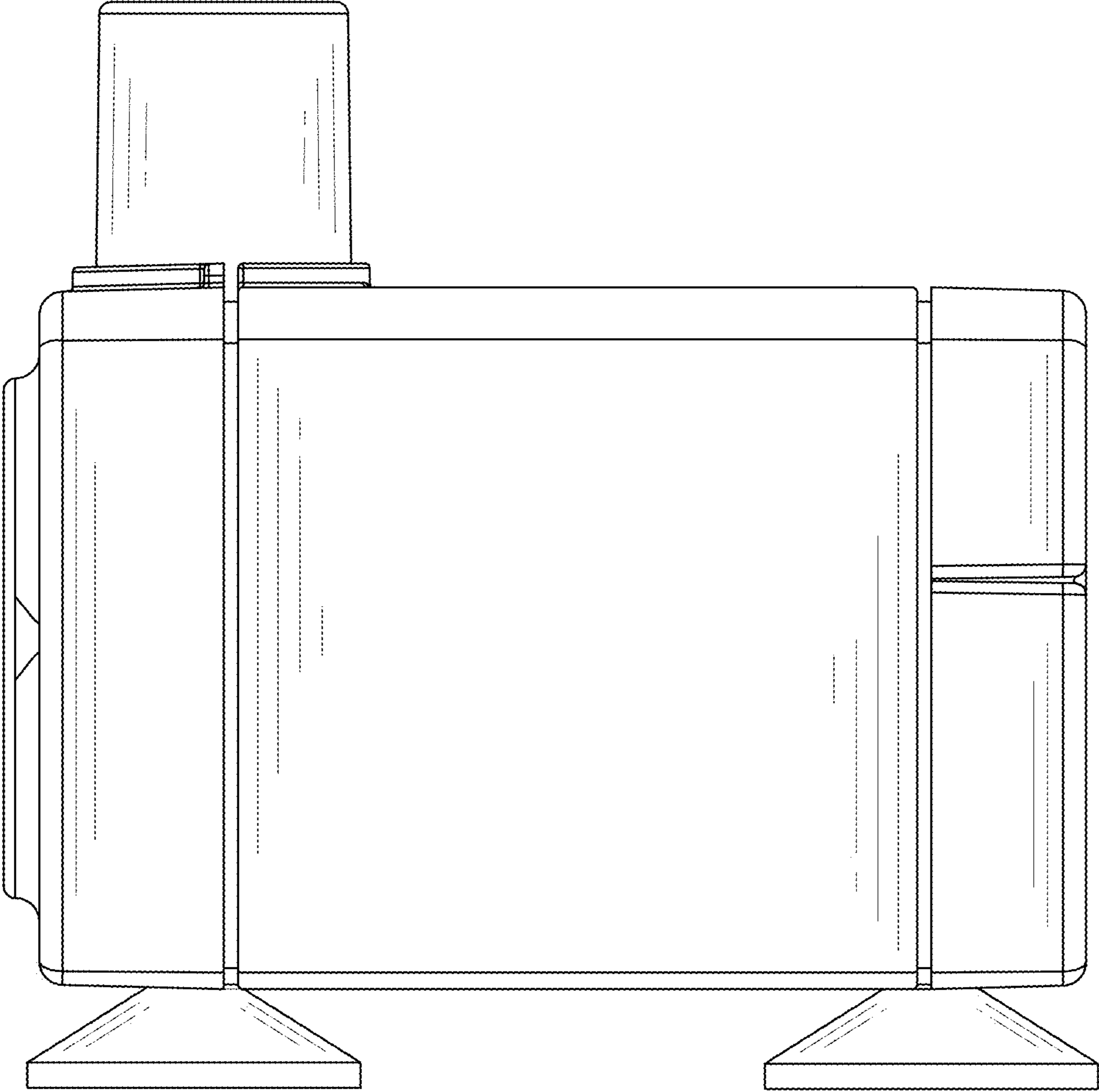


Fig. 4

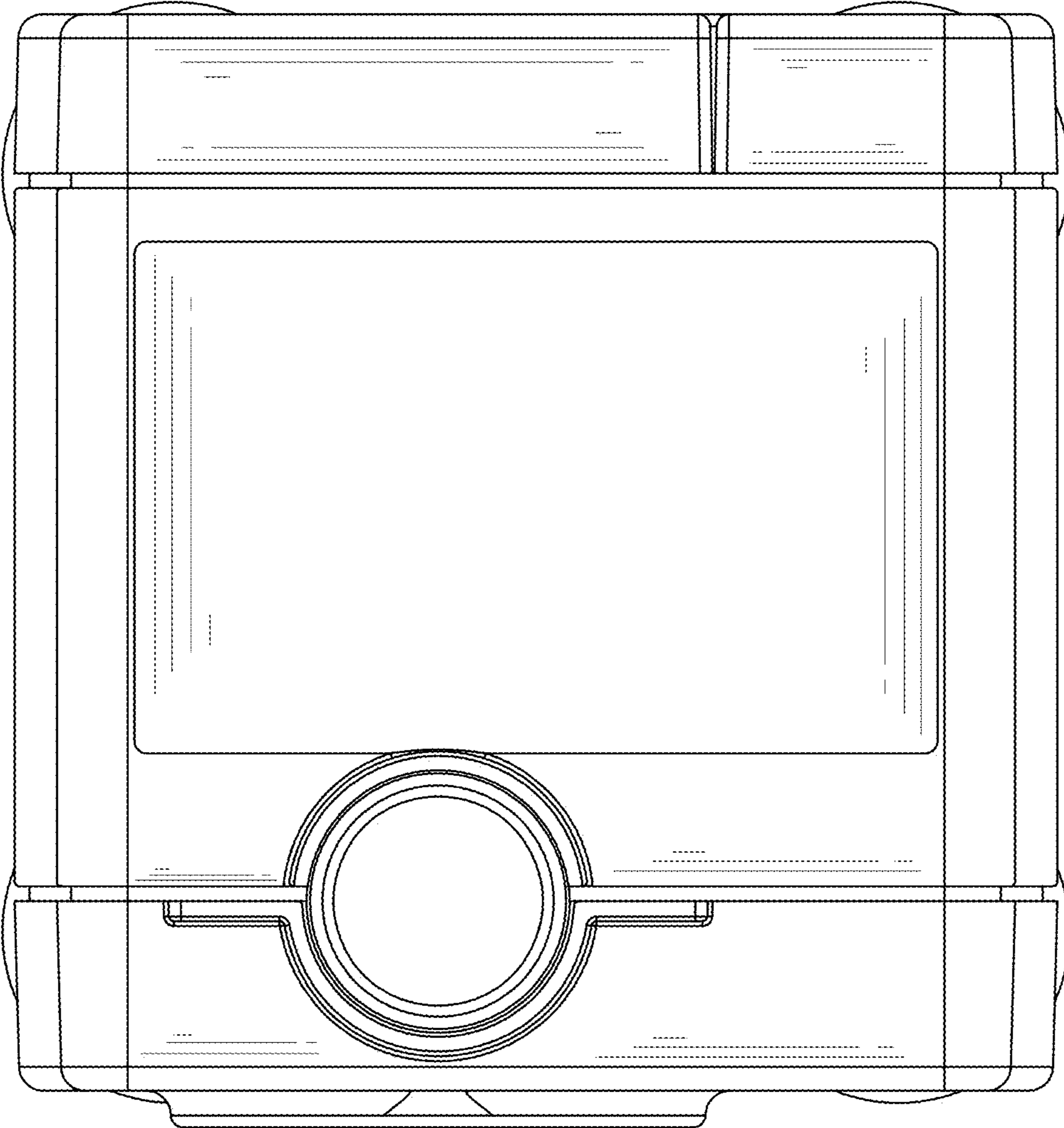


Fig. 5

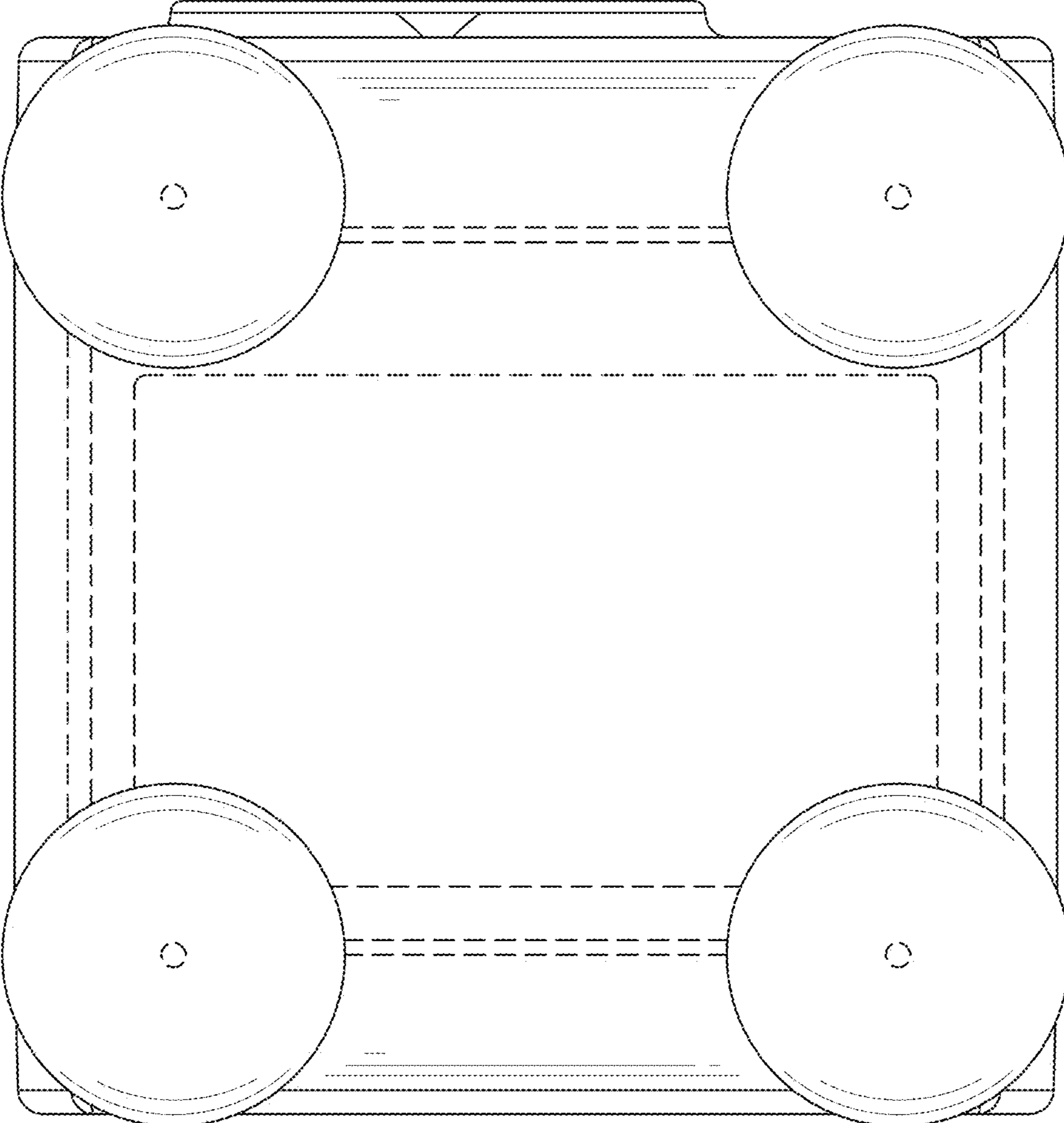


Fig. 6

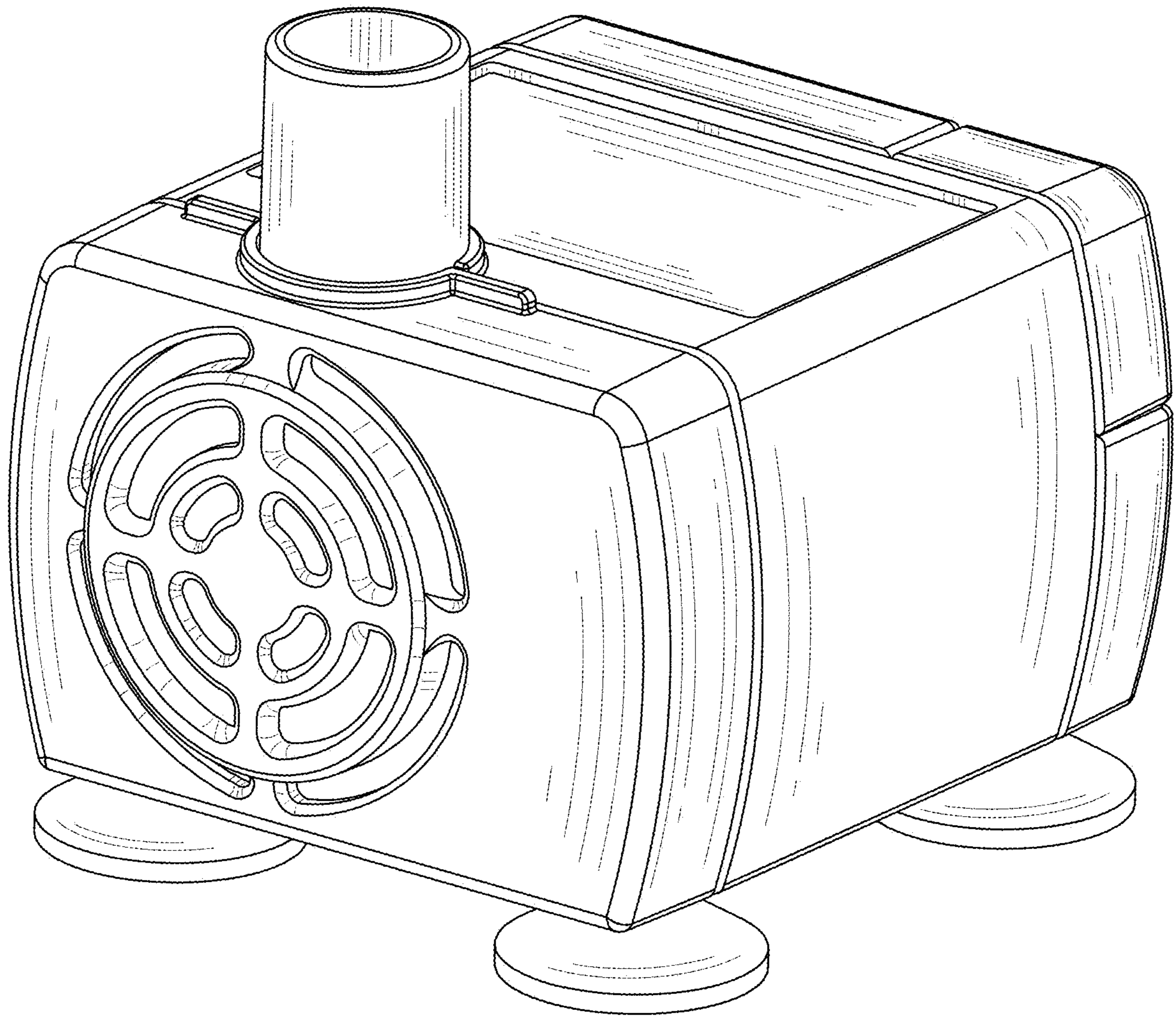


Fig. 7

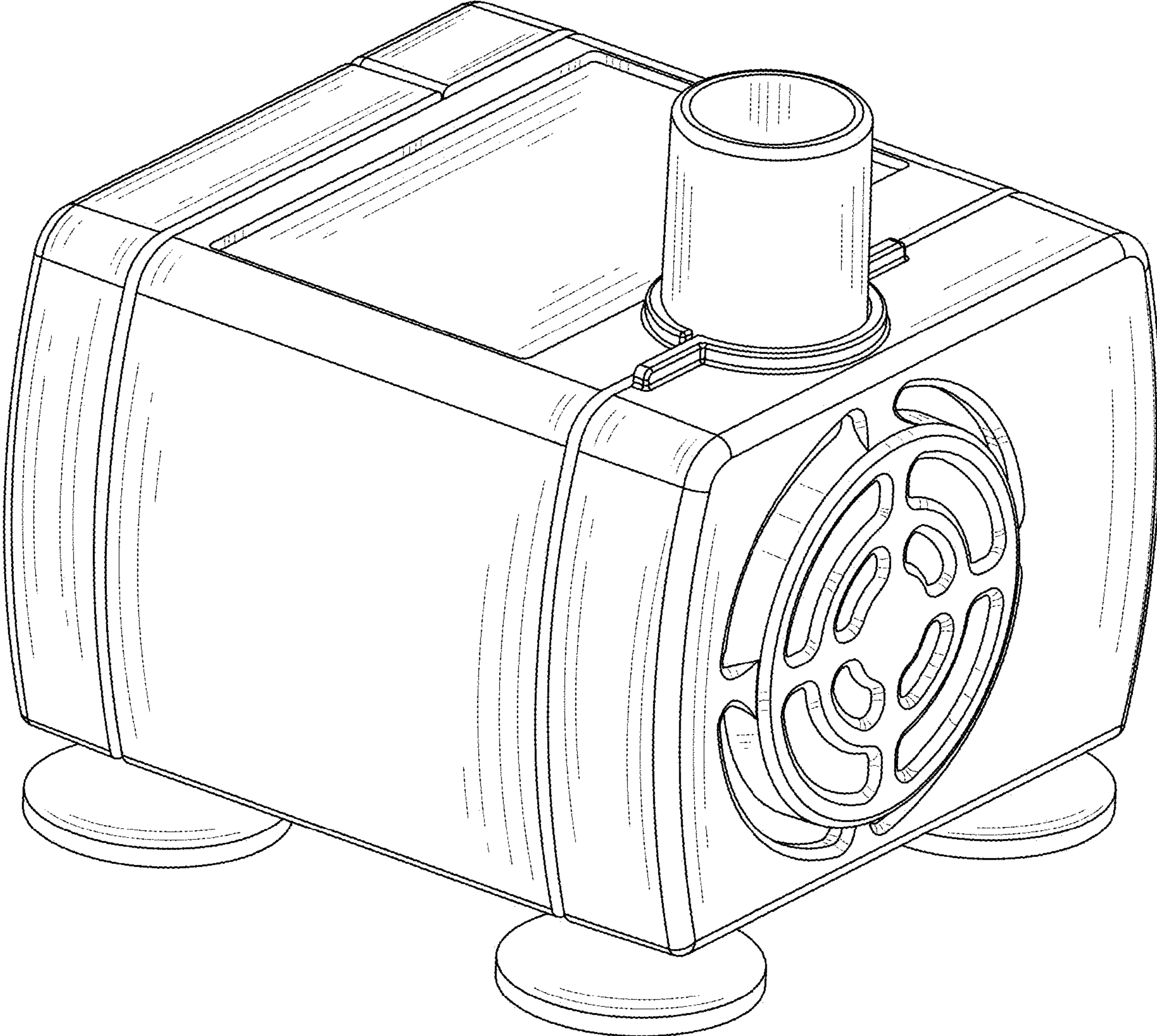


Fig. 8

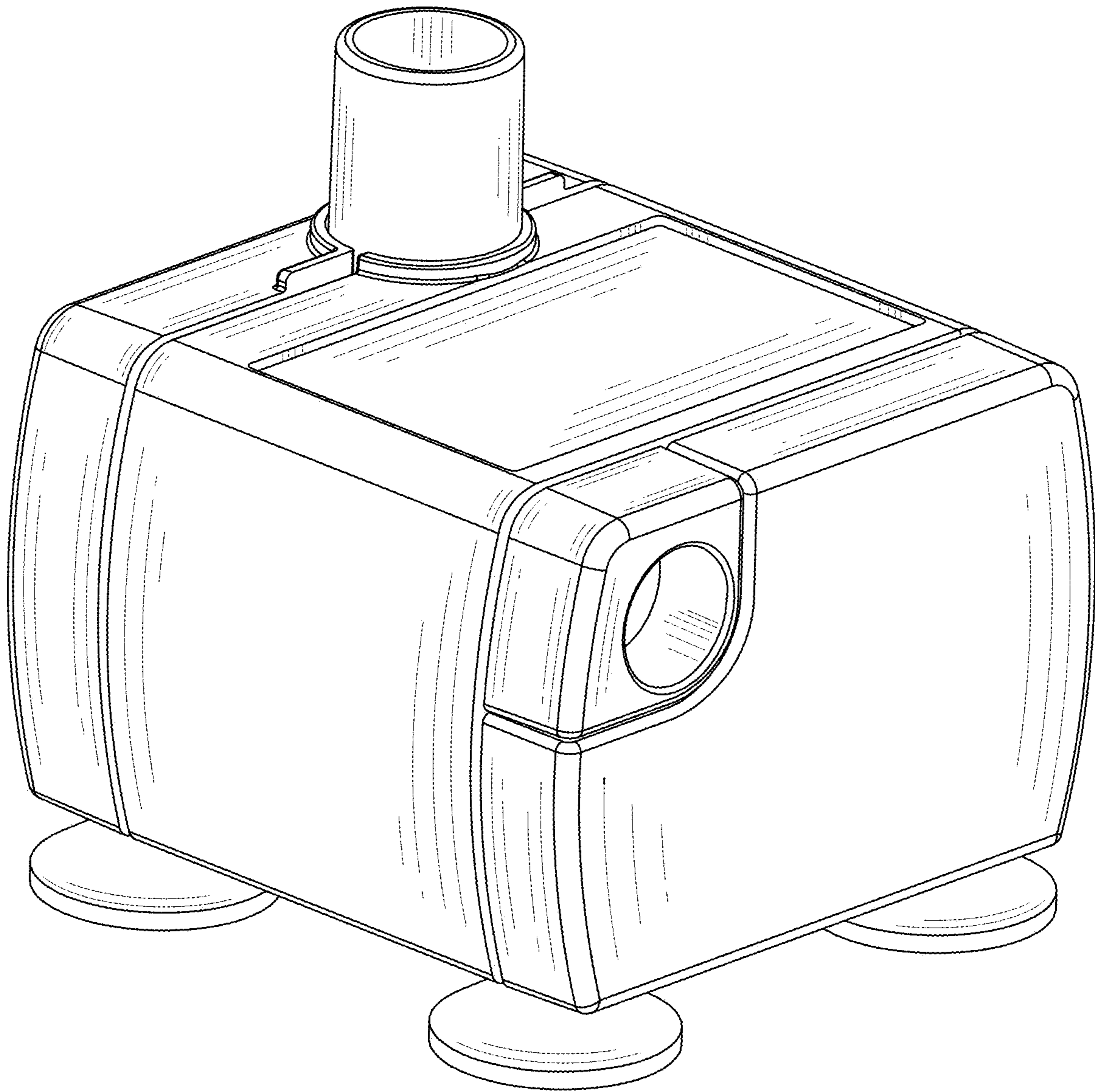


Fig. 9

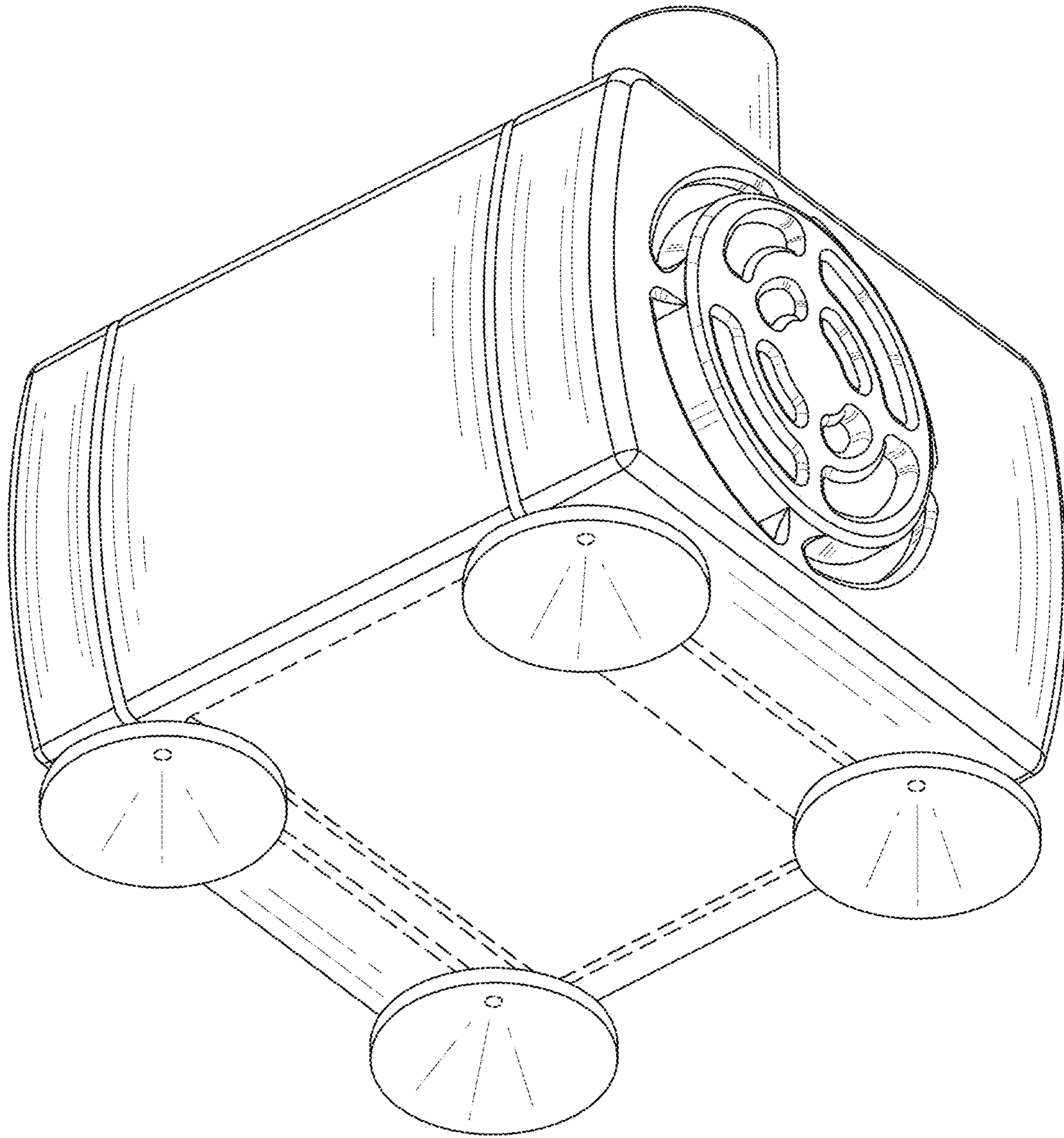


Fig.10