

US00D870153S

(12) **United States Design Patent** (10) **Patent No.:** **US D870,153 S**
Xiang et al. (45) **Date of Patent:** **** Dec. 17, 2019**

(54) **EFFLUENT PUMP**

(71) Applicant: **KELAI PUMPS (NINGBO) CO., LTD**, Ningbo (CN)

(72) Inventors: **Yuqiao Xiang**, Ningbo (CN); **Bin Ma**, Ningbo (CN)

(73) Assignee: **KELAI PUMPS (NINGBO) CO., LTD**, Ningbo (CN)

(**) Term: **15 Years**

(21) Appl. No.: **29/640,564**

(22) Filed: **Mar. 15, 2018**

(51) **LOC (12) Cl.** **15-03**

(52) **U.S. Cl.**
USPC **D15/7**

(58) **Field of Classification Search**
USPC D15/7-9; D23/225, 231, 232
CPC F02M 37/04; F02M 37/14
See application file for complete search history.

(56) **References Cited**

U.S. PATENT DOCUMENTS

D699,762 S * 2/2014 Alexander D15/7
D729,279 S * 5/2015 Fulkerson F04B 43/08
D15/7

D752,110 S * 3/2016 Cook D15/7
D764,551 S * 8/2016 Fowler D15/7
D776,720 S * 1/2017 Davalos D15/7
D812,106 S * 3/2018 Minatodani D15/7
D813,911 S * 3/2018 Luke D15/7
D834,067 S * 11/2018 Stahl D15/7

* cited by examiner

Primary Examiner — Khawaja Anwar

(74) *Attorney, Agent, or Firm* — Muncy, Geissler, Olds & Lowe, P.C.

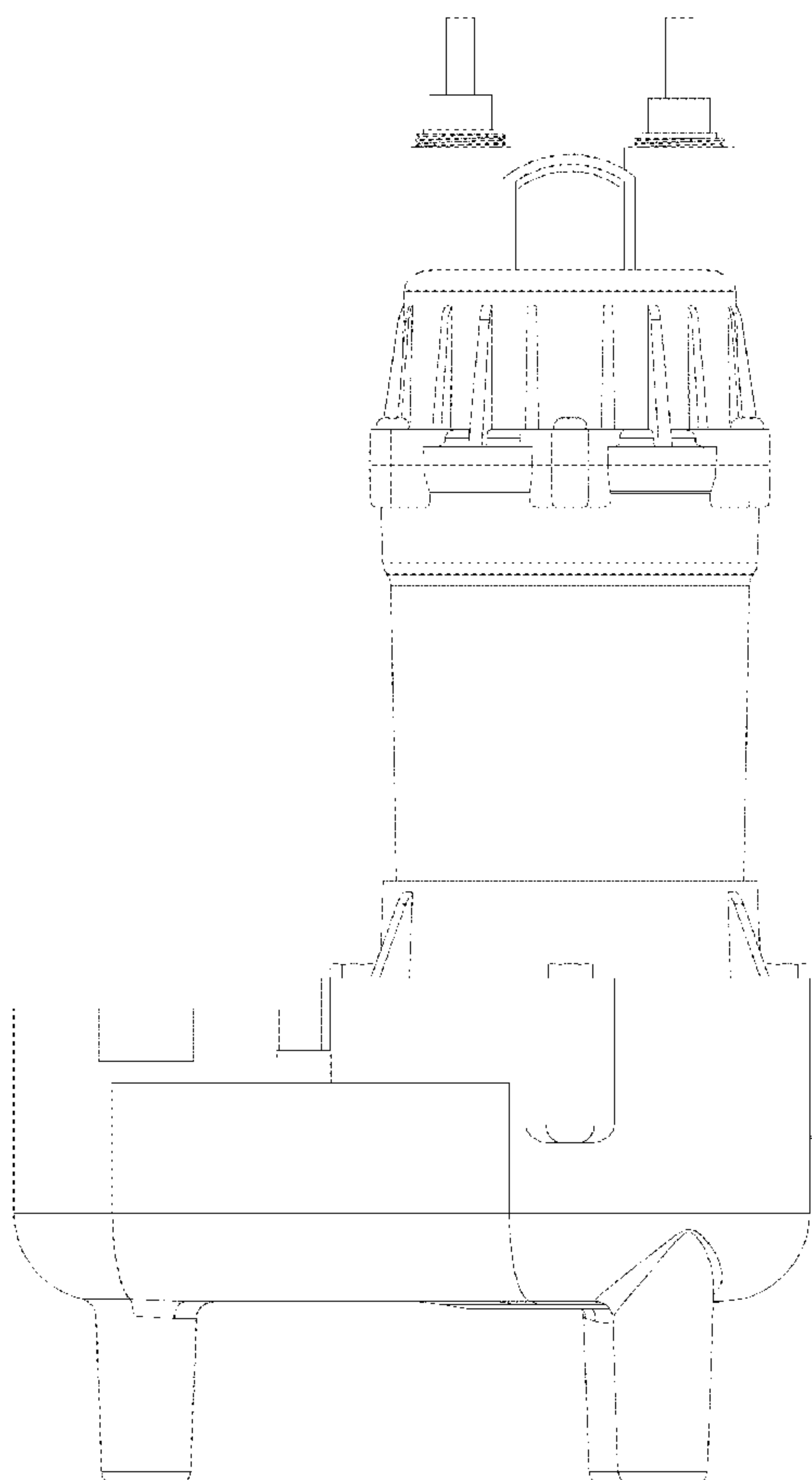
(57) **CLAIM**

The ornamental design for an effluent pump, as shown and described.

DESCRIPTION

FIG. 1 is a Front elevational view of an effluent pump showing my new design;
FIG. 2 is a Rear elevational view thereof;
FIG. 3 is a Left side view thereof;
FIG. 4 is a Right side view thereof;
FIG. 5 is a Top plan view thereof;
FIG. 6 is a Bottom plan view thereof; and,
FIG. 7 is a Perspective view thereof.
The broken lines illustrate environment structure which forms no part of the claimed design.

1 Claim, 7 Drawing Sheets



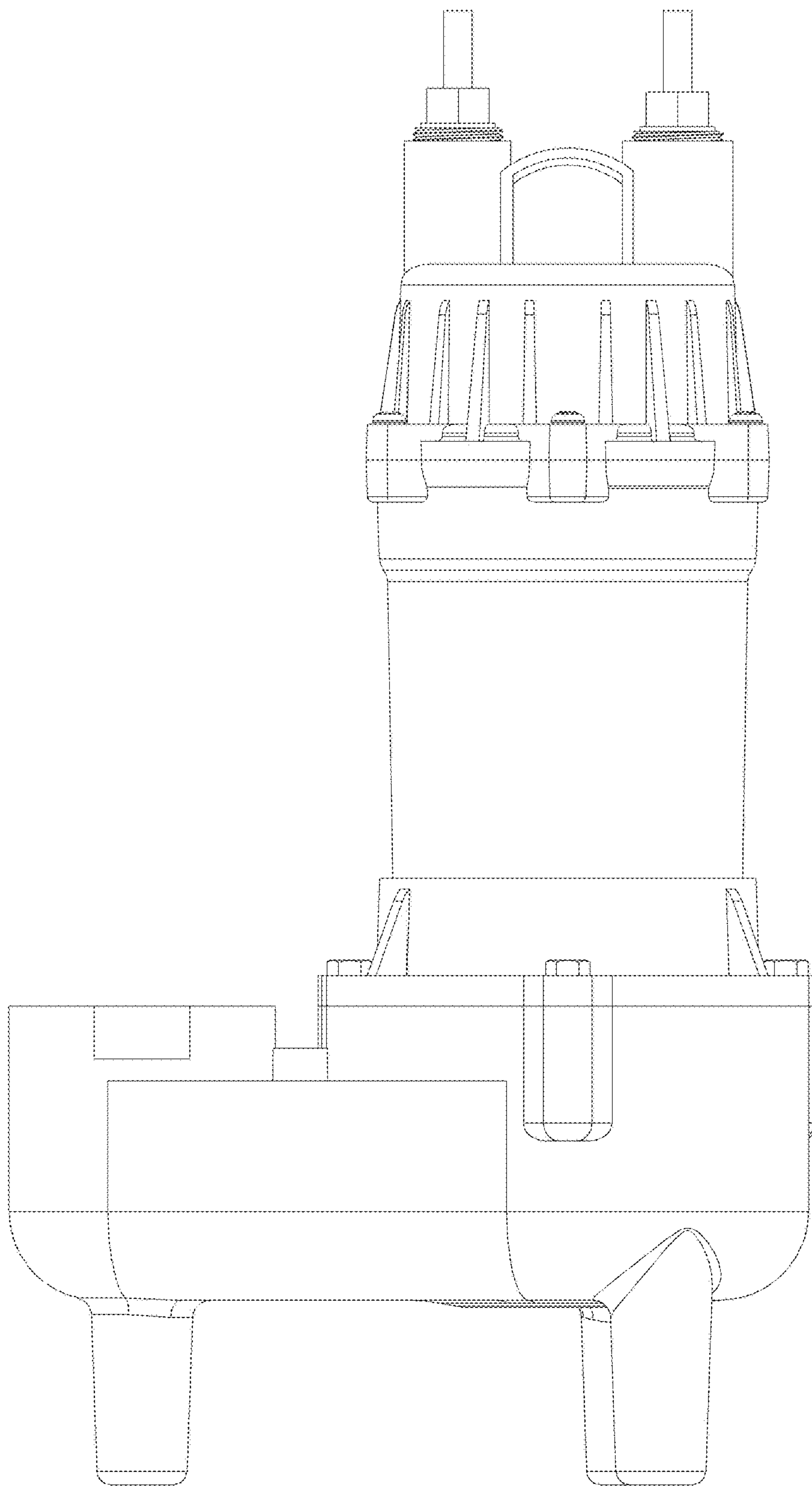


FIG. 1

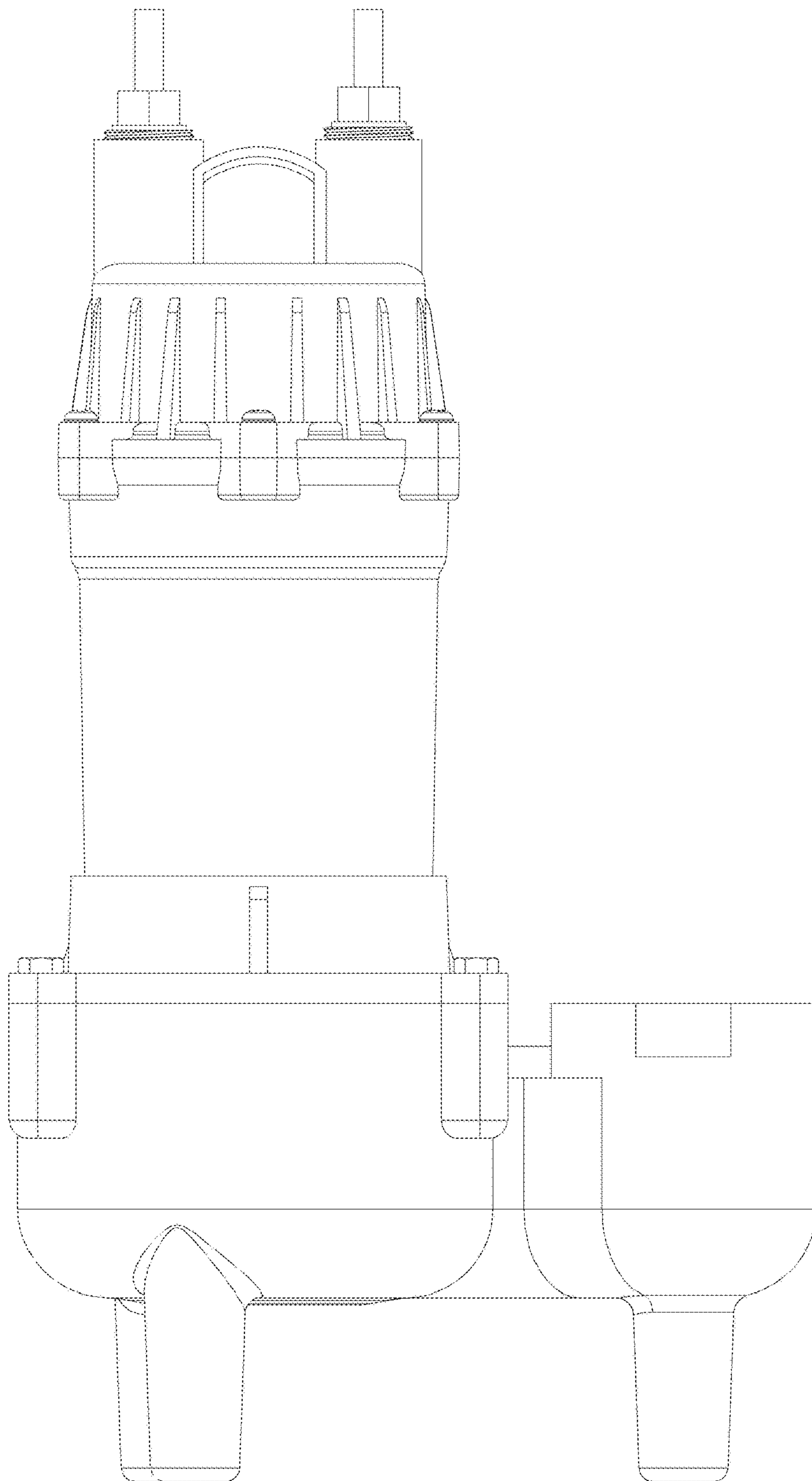


FIG. 2

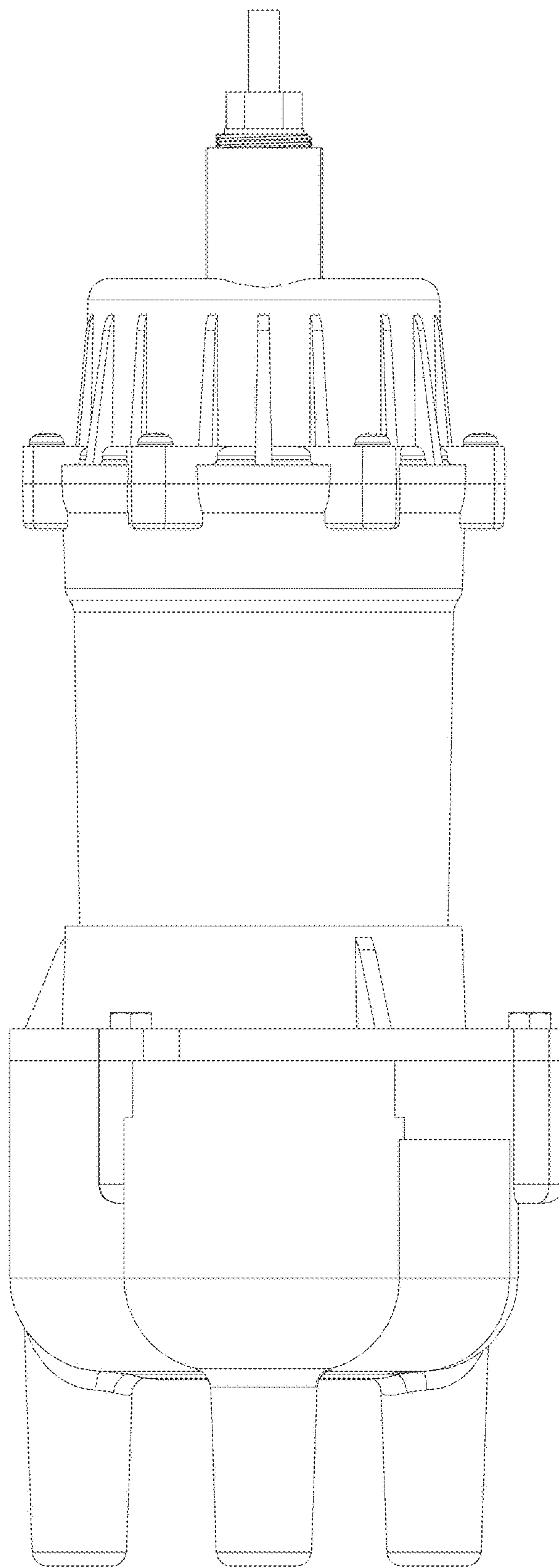


FIG. 3

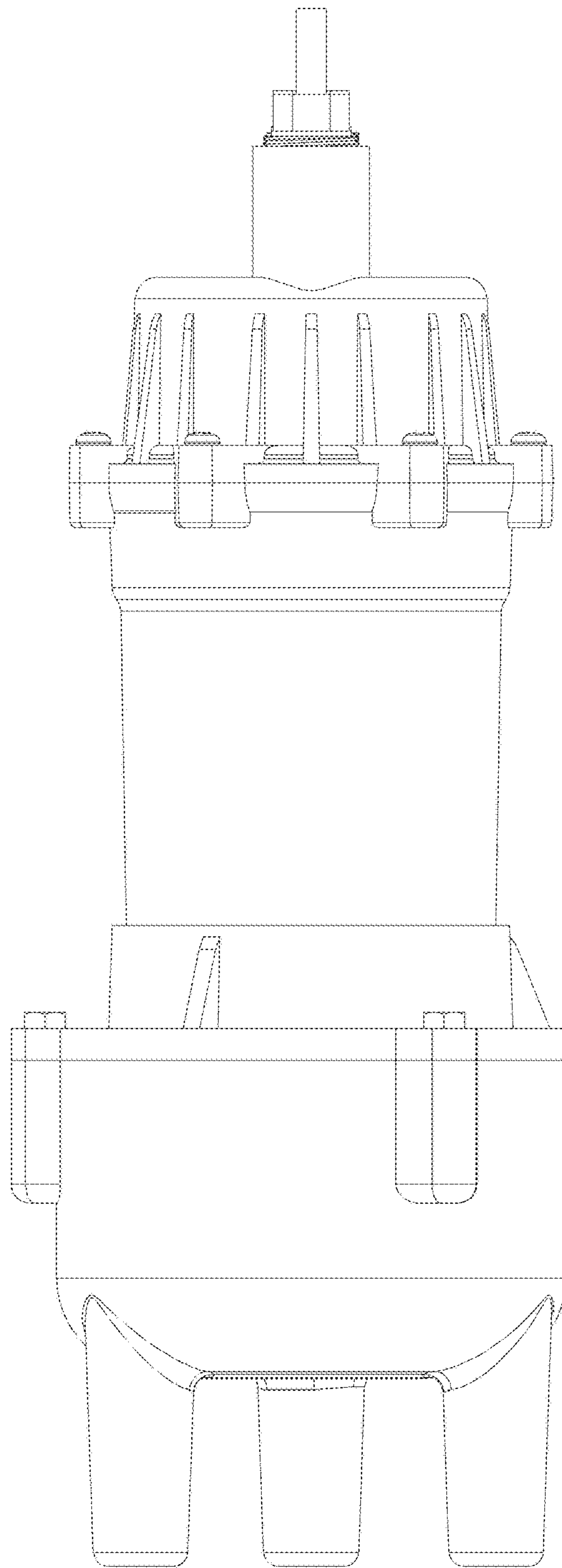


FIG. 4

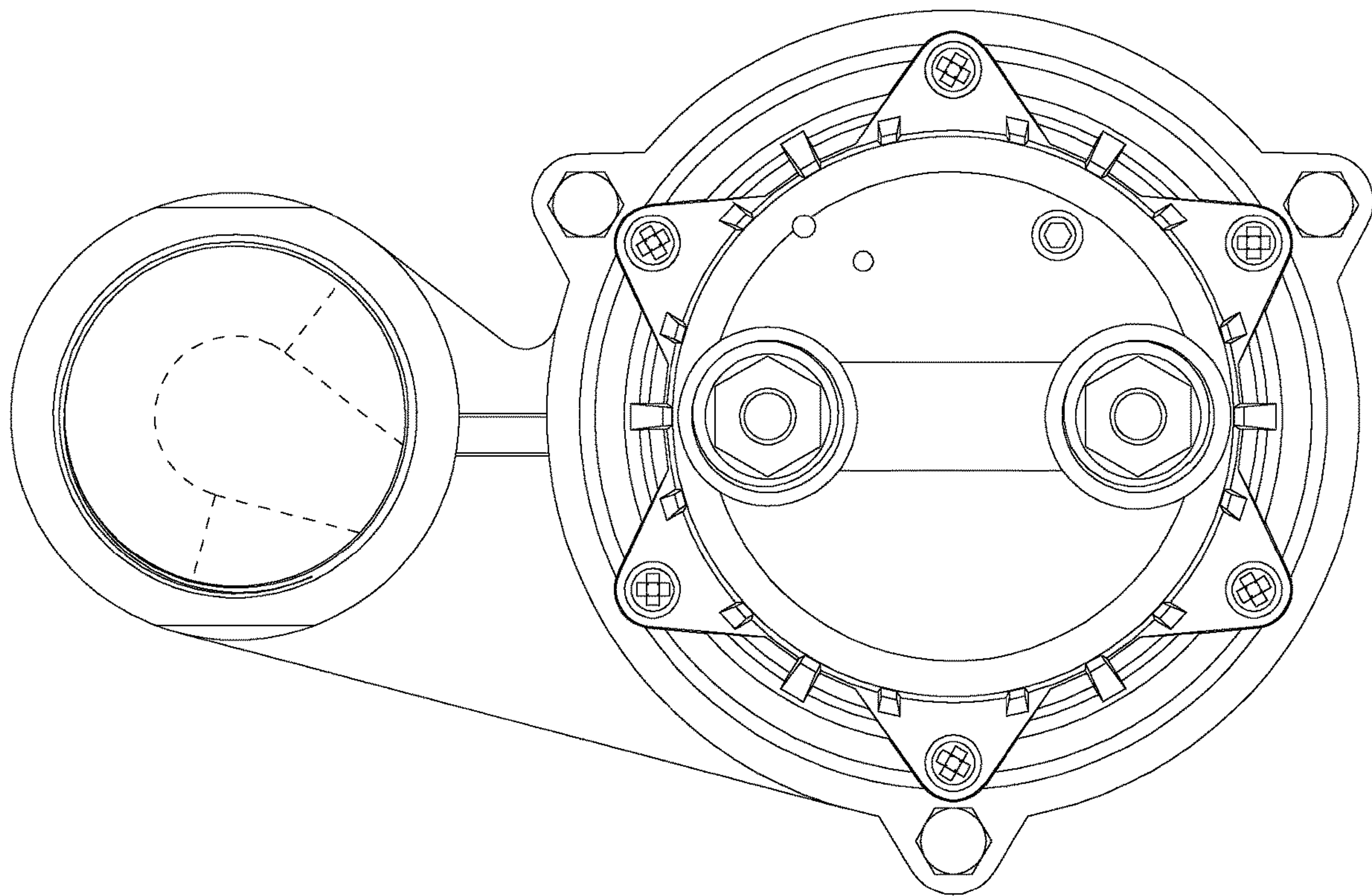


FIG. 5

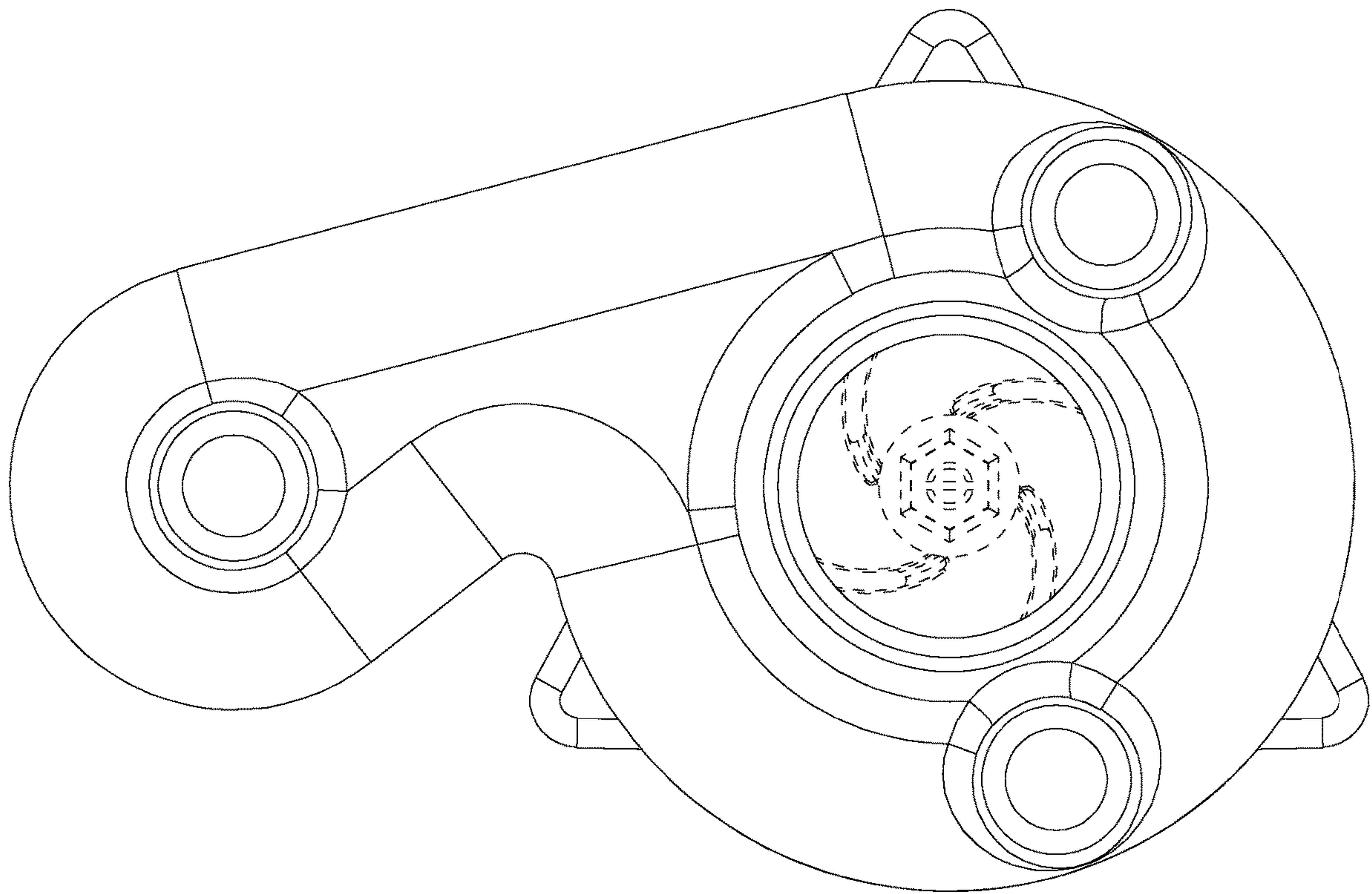


FIG. 6

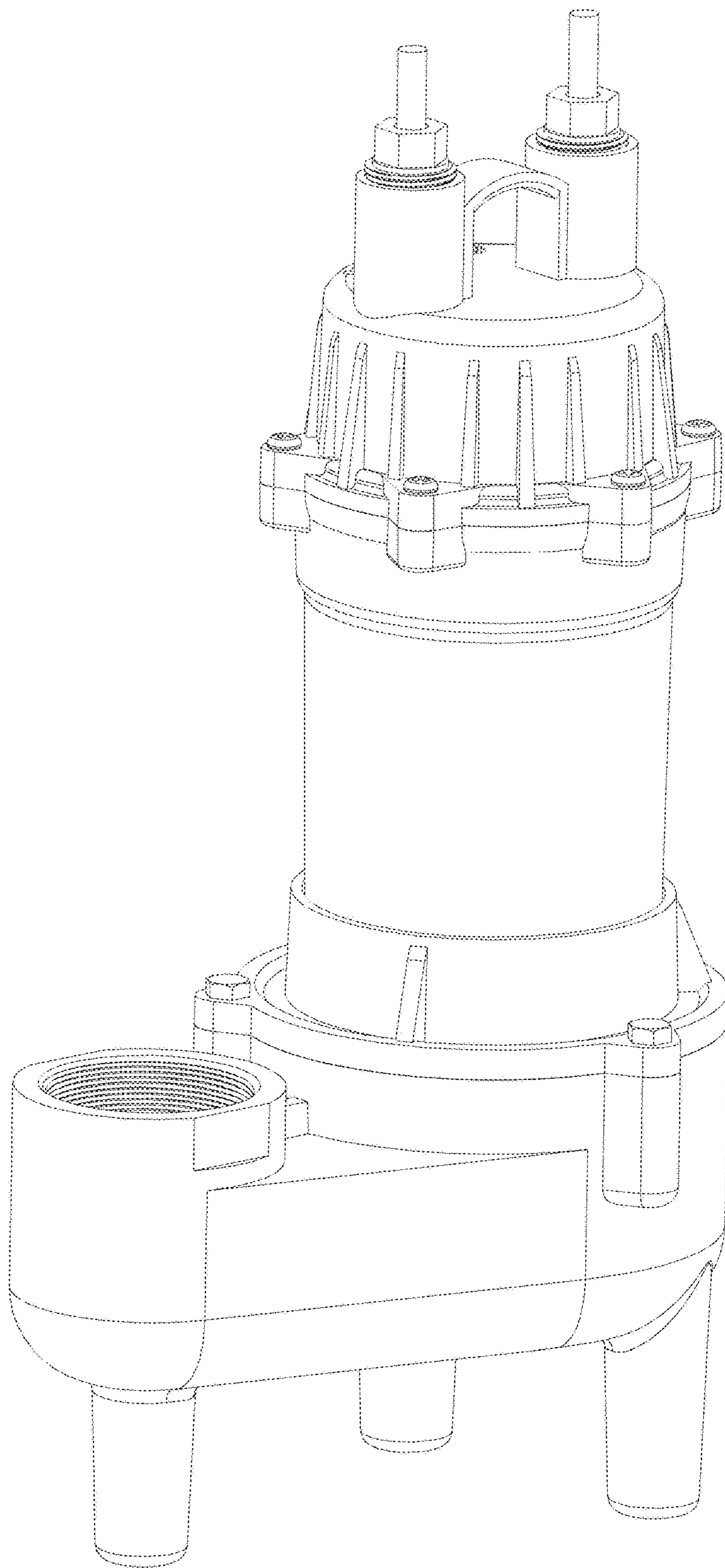


FIG. 7