



US00D870116S

(12) **United States Design Patent**  
**Lei**

(10) **Patent No.:** **US D870,116 S**

(45) **Date of Patent:** **\*\* Dec. 17, 2019**

(54) **TABLET COMPUTER CASE STAND**

(71) Applicant: **Shenzhen Tuoshang Yike Trading Co., Ltd.**, Shenzhen (CN)

(72) Inventor: **Guihua Lei**, Shenzhen (CN)

(\*\*) Term: **15 Years**

(21) Appl. No.: **29/673,070**

(22) Filed: **Dec. 11, 2018**

(51) **LOC (12) Cl.** ..... **08-07**

(52) **U.S. Cl.**  
USPC ..... **D14/447**

(58) **Field of Classification Search**  
USPC ..... D14/447, 432, 434, 439, 440, 451, 452,  
D14/457, 239, 253, 345; D8/363, 373,  
D8/380; D6/406.3, 406.4, 406.5, 406.6;  
D12/415; D13/108  
CPC ..... A47B 21/04; A47B 2097/006; A47B  
2097/005; A47B 2023/049; A45C  
2011/002; A45C 2011/003; F16M  
2200/00; F16M 13/00  
See application file for complete search history.

(56) **References Cited**

**U.S. PATENT DOCUMENTS**

7,770,864 B2 \* 8/2010 Phifer ..... A47B 23/043  
248/453  
D678,886 S \* 3/2013 Heckler ..... D14/447  
D697,069 S \* 1/2014 Tak ..... D14/447

D705,785 S \* 5/2014 Wang ..... D14/447  
D733,155 S \* 6/2015 van Hooft ..... D14/447  
D750,089 S \* 2/2016 Langhein ..... H04M 1/04  
D14/447  
9,249,922 B2 \* 2/2016 Haarburger ..... F16M 11/38  
D804,490 S \* 12/2017 Wei ..... D14/447  
D833,447 S \* 11/2018 Zhang ..... D14/447  
D845,307 S \* 4/2019 Hallar ..... D14/447  
D857,700 S \* 8/2019 Zeng ..... D14/447  
2008/0029412 A1 \* 2/2008 Ho ..... A47B 21/0314  
206/320  
2010/0294909 A1 \* 11/2010 Hauser ..... A47B 23/043  
248/456

\* cited by examiner

*Primary Examiner* — Angela J Lee

(74) *Attorney, Agent, or Firm* — Morgan Law Offices,  
PLC

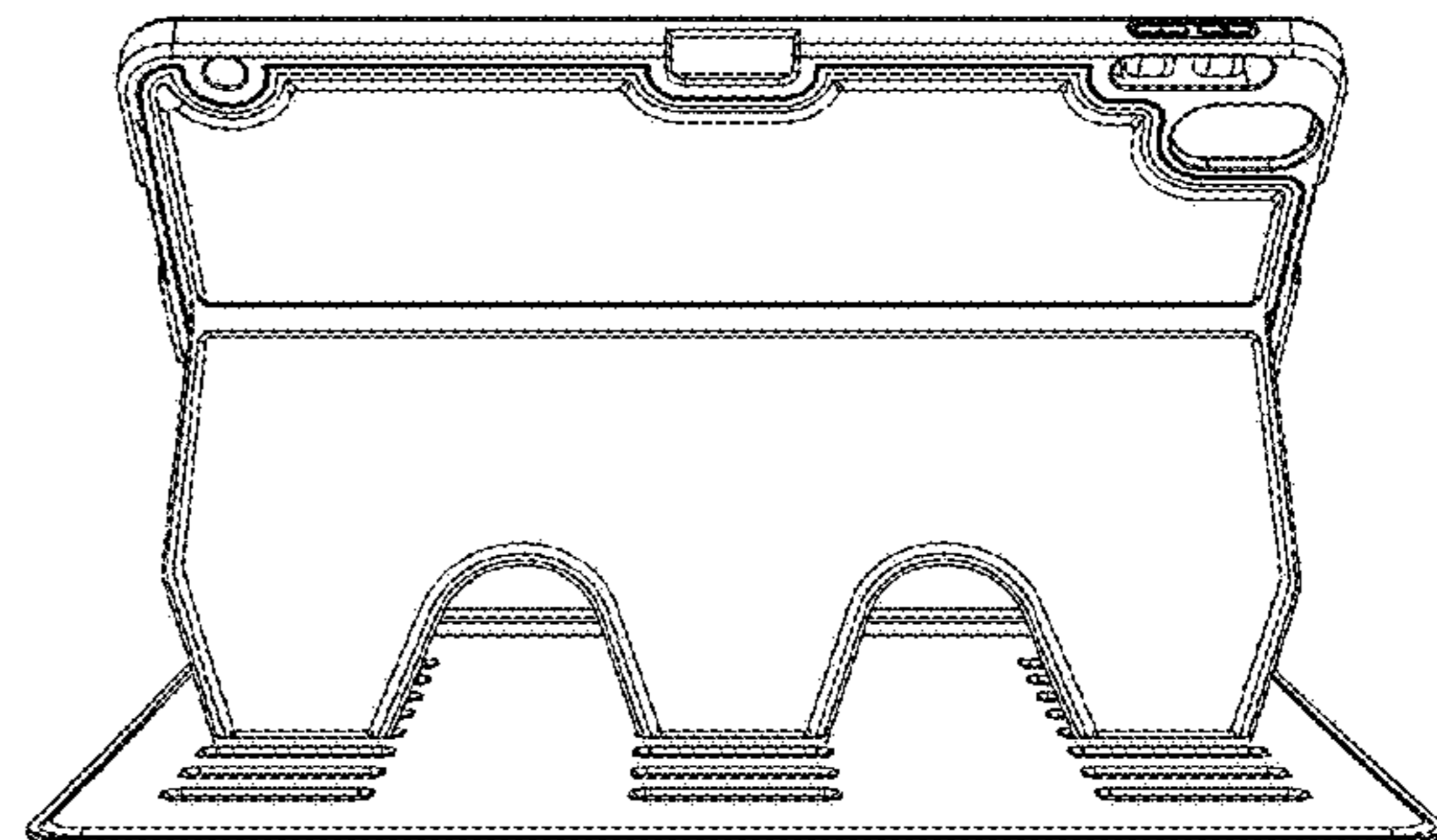
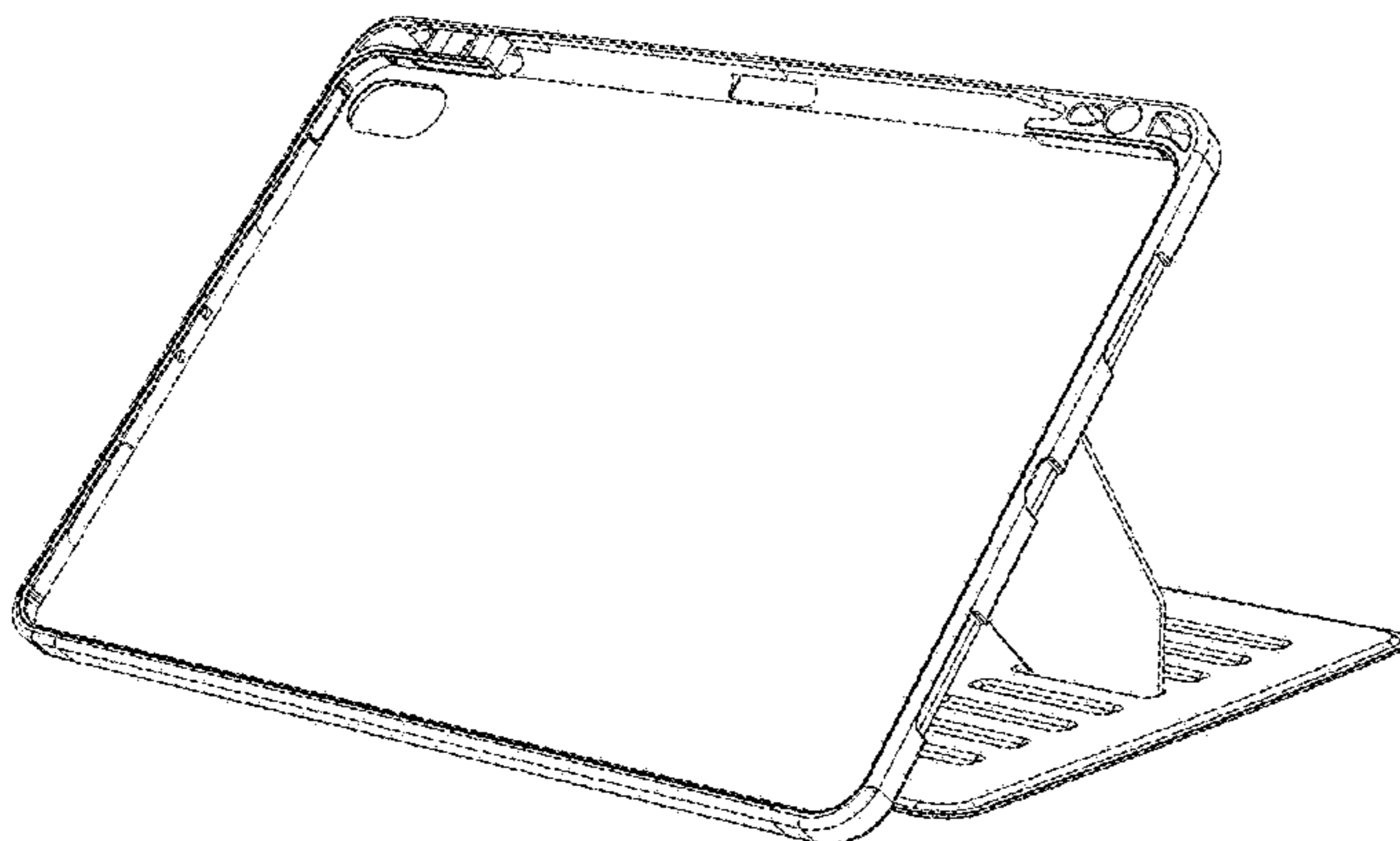
(57) **CLAIM**

The ornamental design for the tablet computer case stand, as shown.

**DESCRIPTION**

FIG. 1 is a perspective view of a tablet computer case stand showing my new design;  
FIG. 2 is a top view thereof;  
FIG. 3 is another top view thereof;  
FIG. 4 is a back view thereof;  
FIG. 5 is a right side view thereof;  
FIG. 6 is a left side view thereof; and,  
FIG. 7 is a bottom view thereof.

**1 Claim, 7 Drawing Sheets**



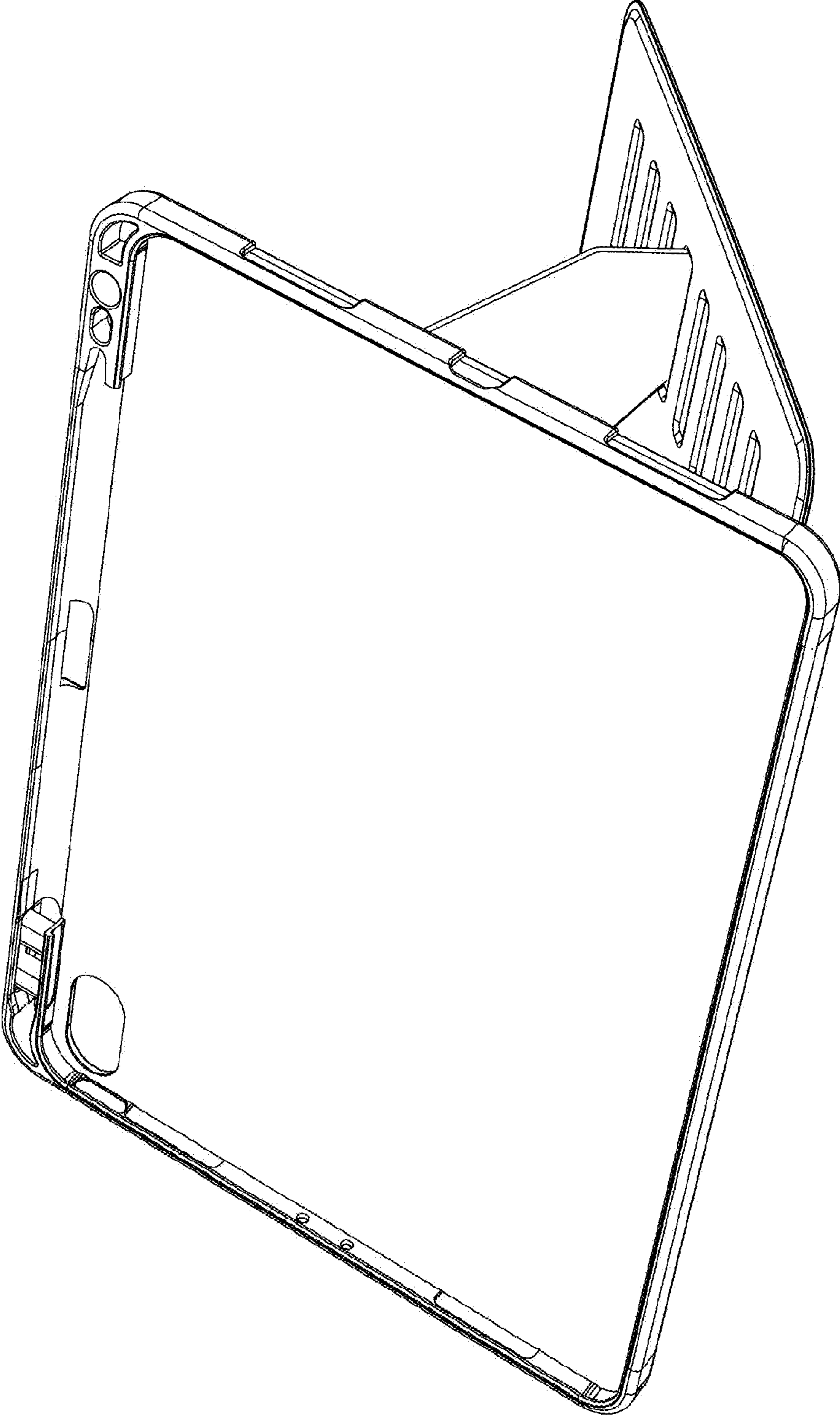


FIG. 1

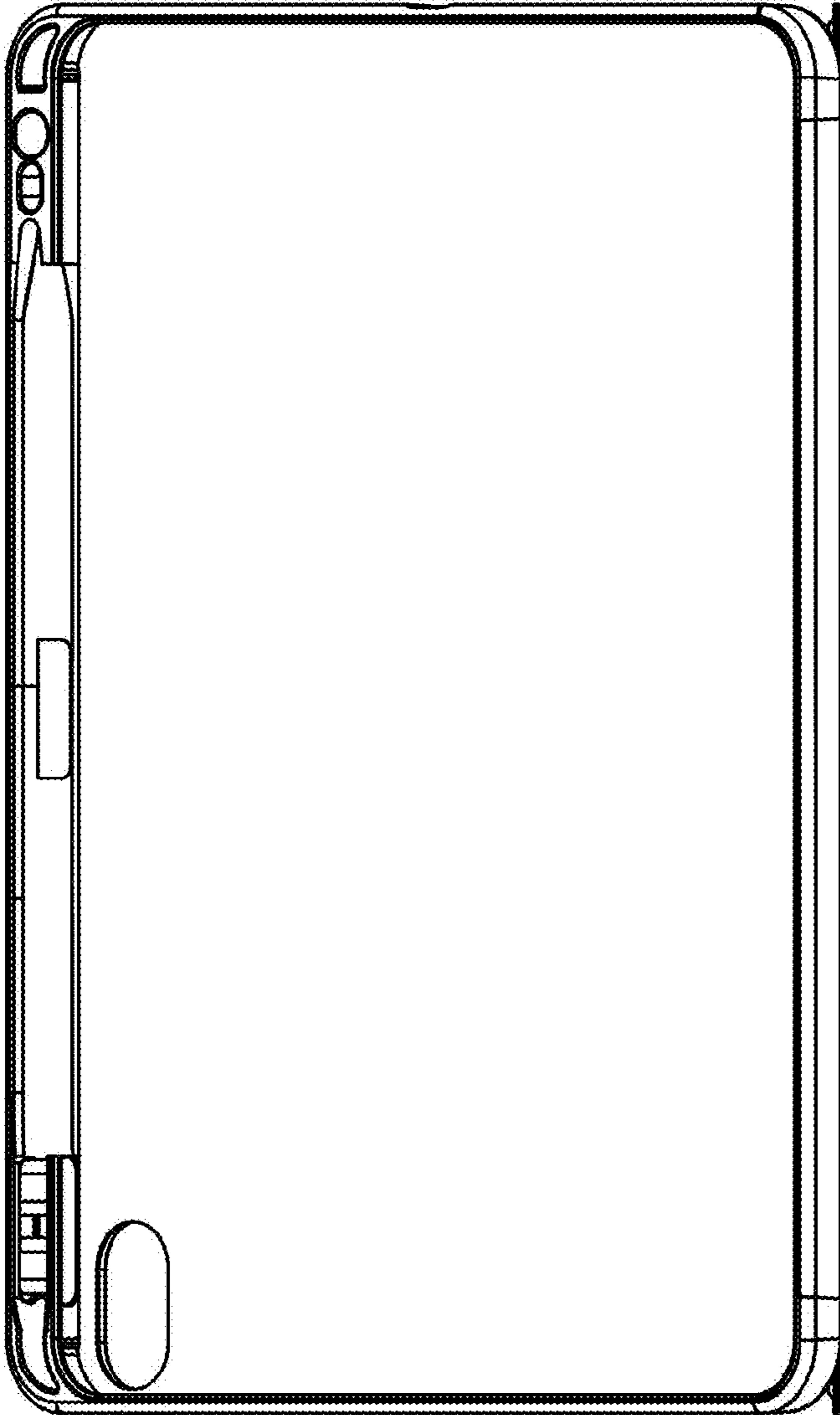


FIG. 2

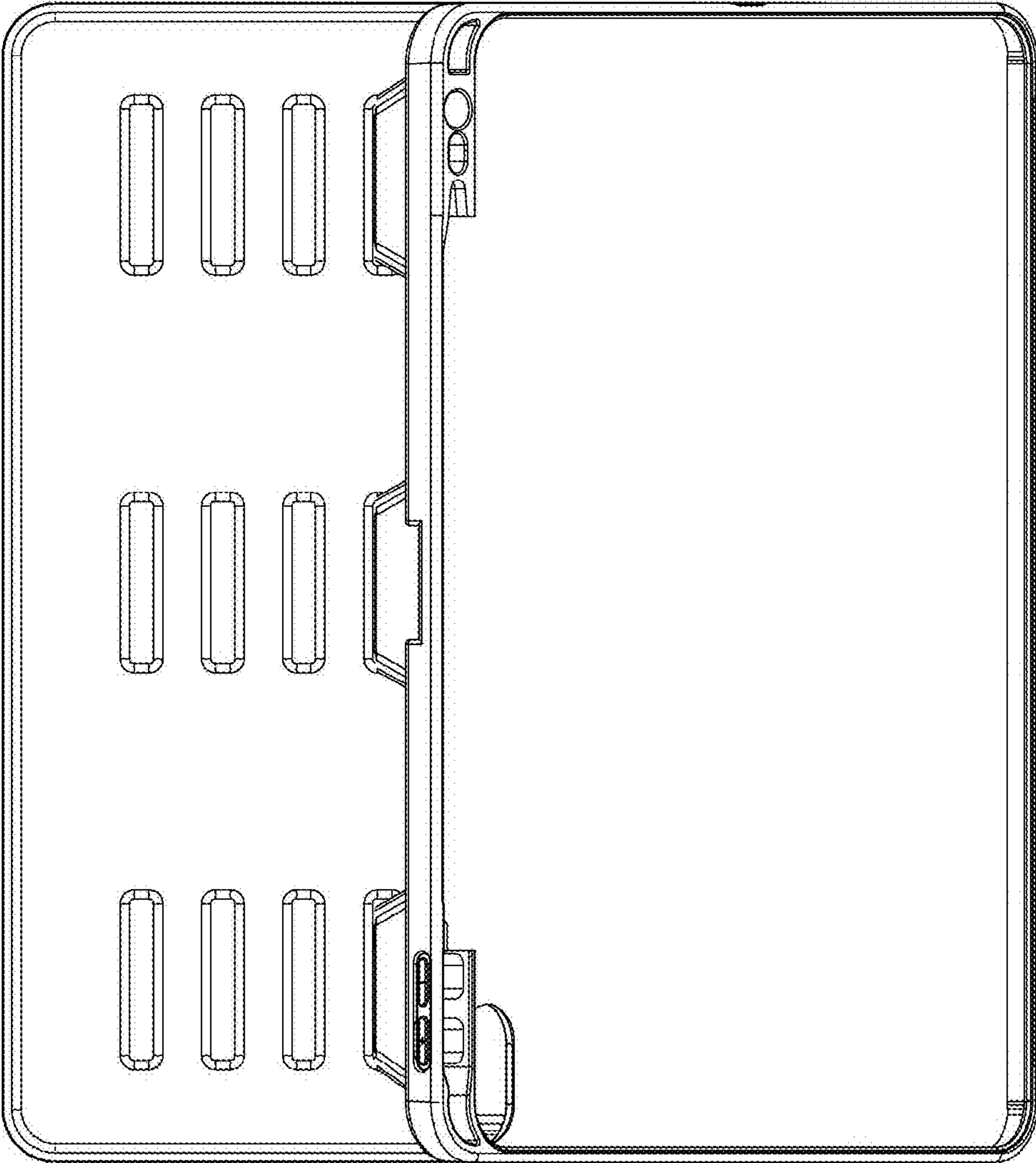


FIG. 3

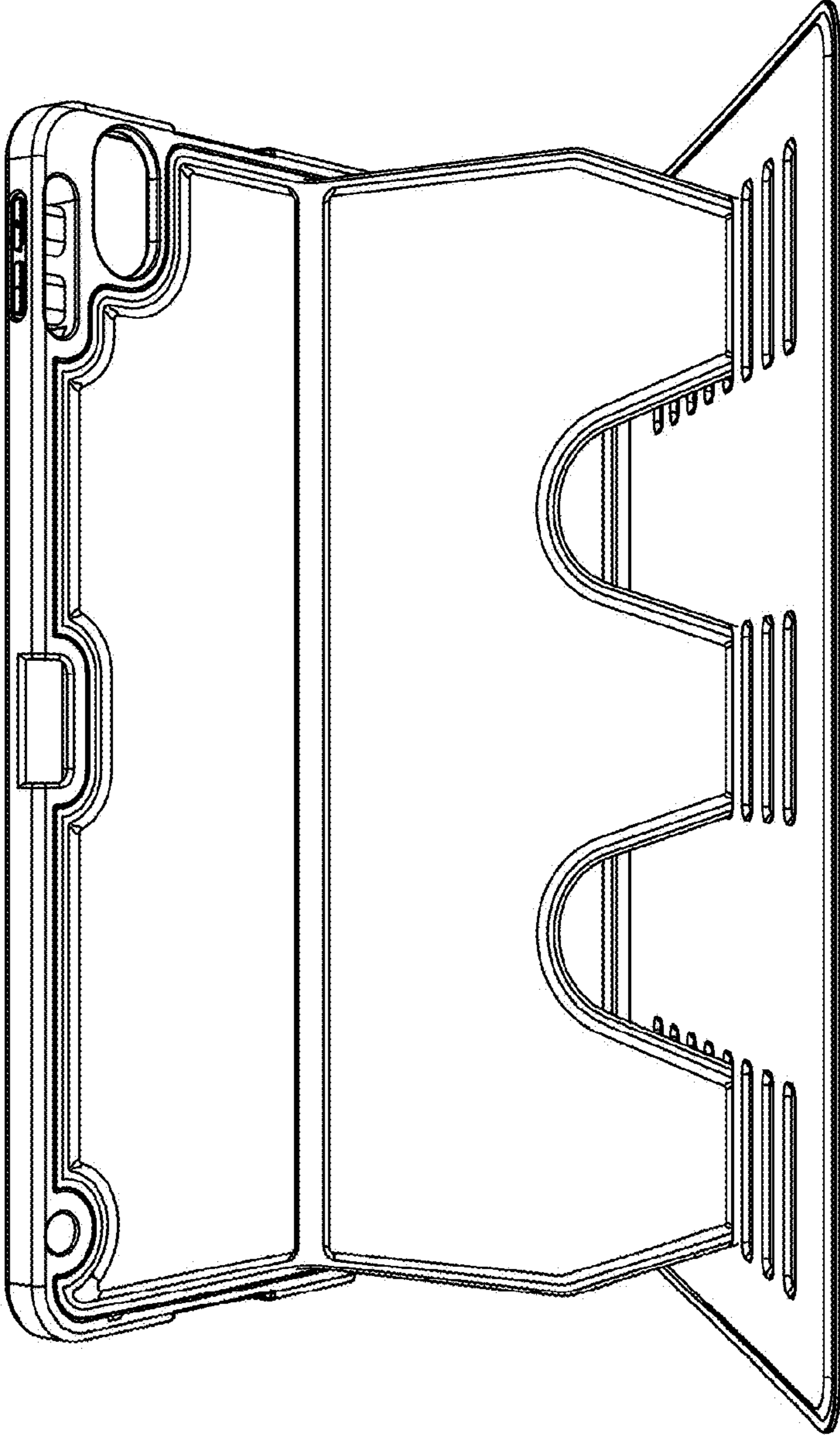


FIG. 4

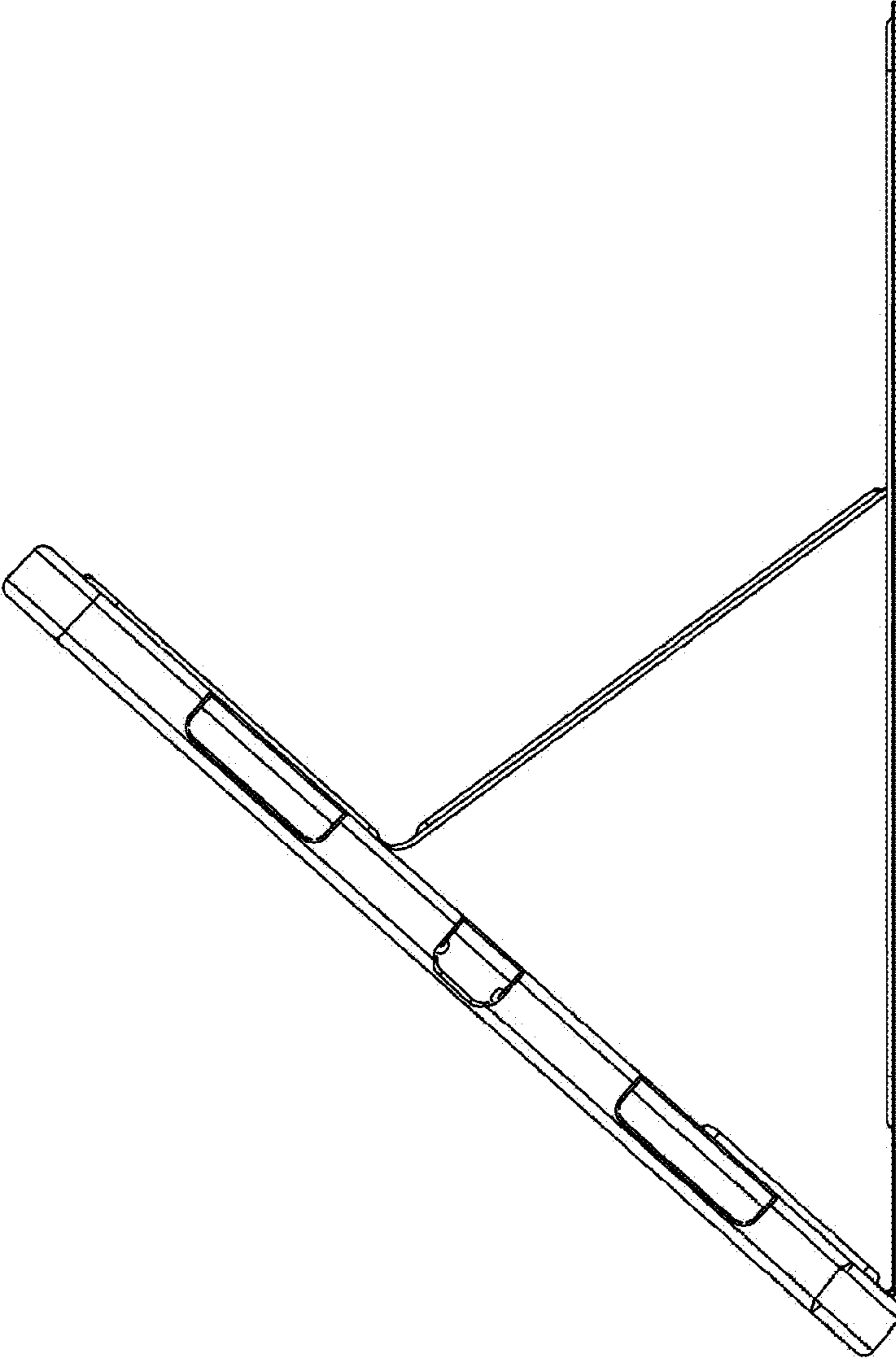


FIG. 5

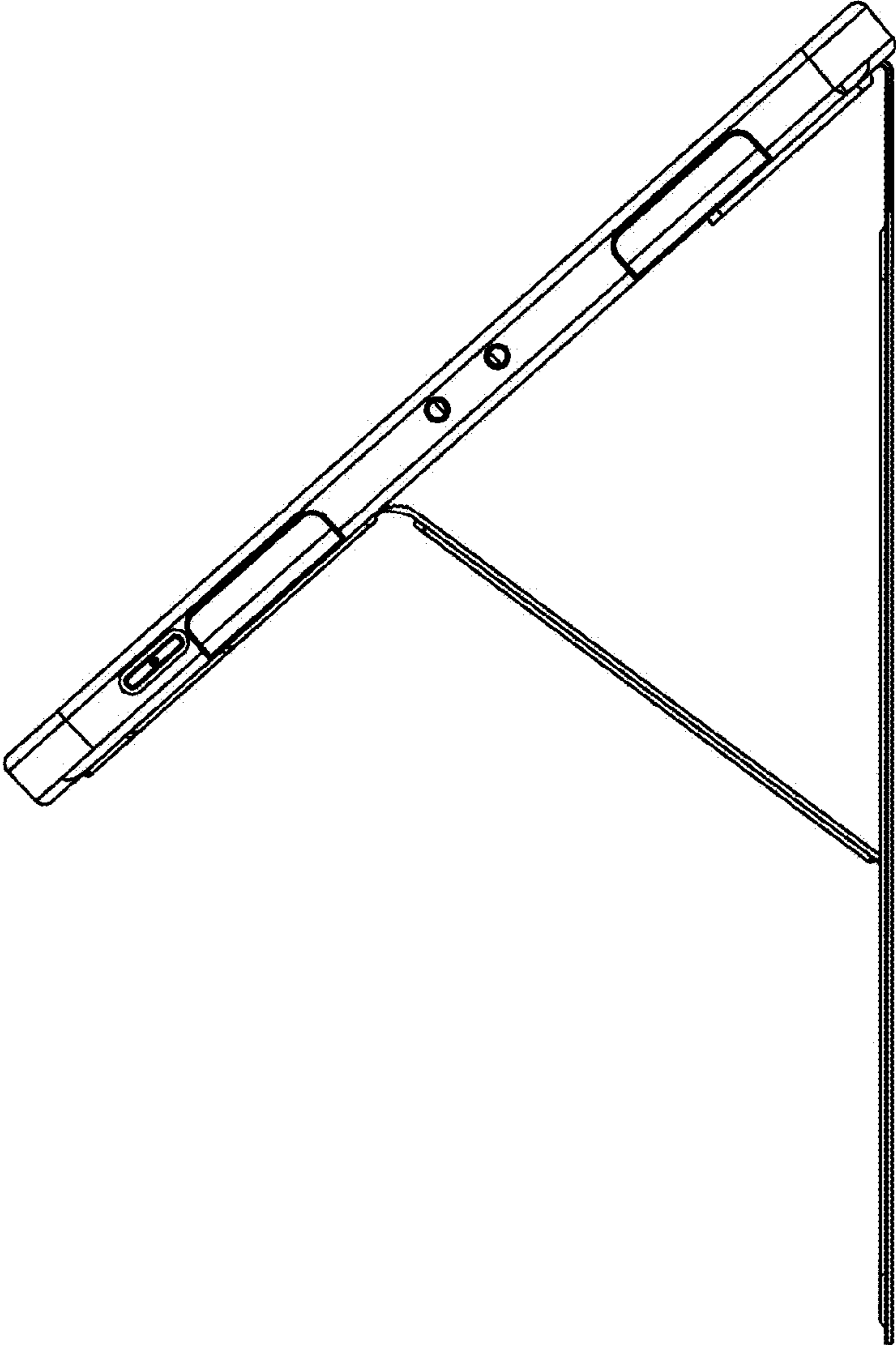


FIG. 6

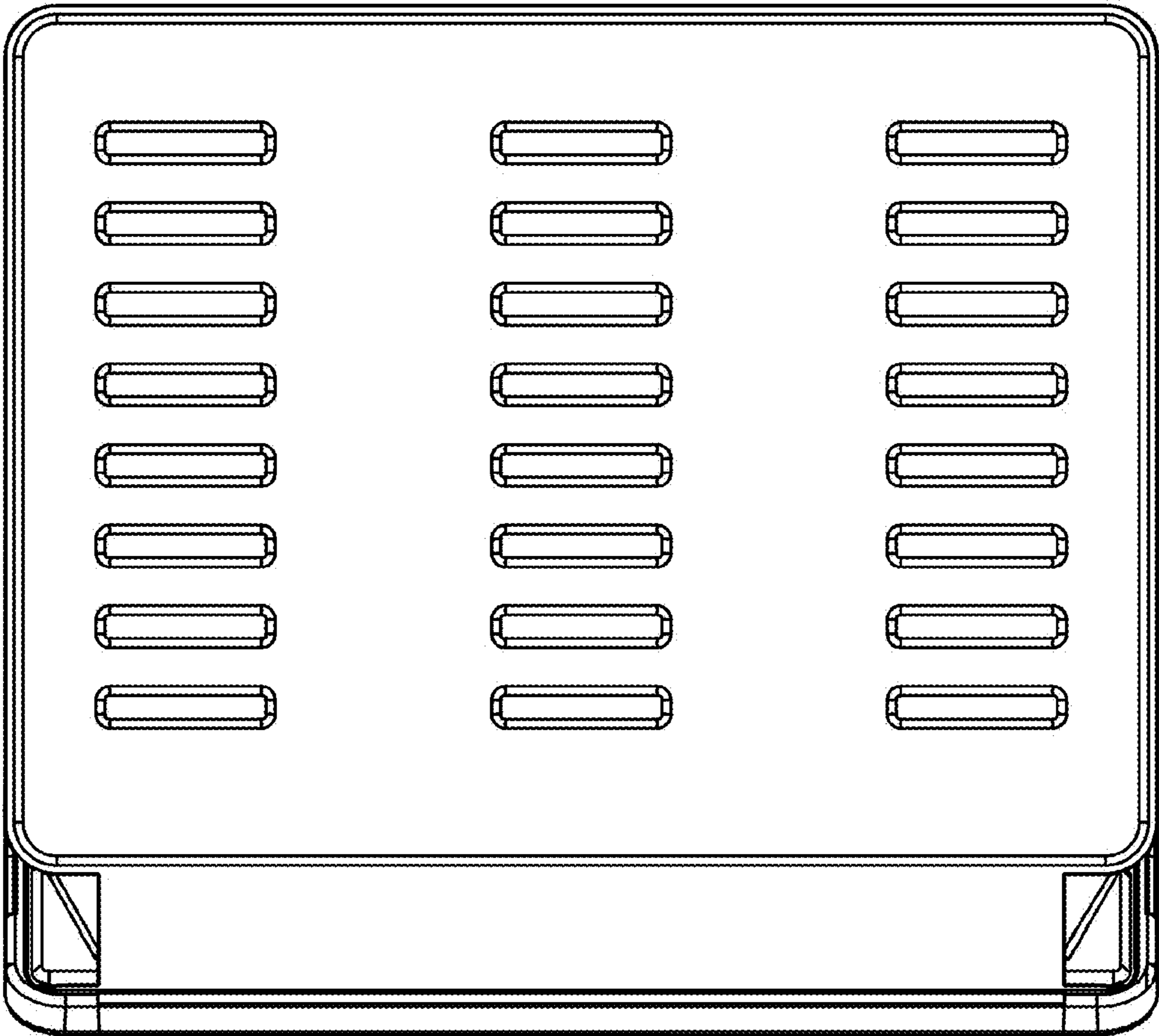


FIG. 7