



US00D870115S

(12) **United States Design Patent** (10) **Patent No.:** **US D870,115 S**
Han (45) **Date of Patent:** **** Dec. 17, 2019**

(54) **LAPTOP SLEEVE**
(71) Applicant: **Shufang Han**, Shenzhen (CN)
(72) Inventor: **Shufang Han**, Shenzhen (CN)
(**) Term: **15 Years**
(21) Appl. No.: **29/698,428**
(22) Filed: **Jul. 17, 2019**
(51) **LOC (12) Cl.** **14-02**
(52) **U.S. Cl.**
USPC **D14/440**; D3/289
(58) **Field of Classification Search**
USPC D14/440, 447, 250; 206/45.23, 320,
206/45.2; 361/679.55; 294/25; 224/218;
D3/289
CPC G06F 1/1628; G06F 1/1626; A47B 23/044
See application file for complete search history.

D685,185 S * 7/2013 Bulzis D3/266
D690,937 S * 10/2013 Denzinger D3/303
D694,246 S * 11/2013 Park D14/440
D703,951 S * 5/2014 Yum D3/274
D730,647 S * 6/2015 Thompson D3/284
D731,184 S * 6/2015 Saydar D3/294
9,056,696 B1 * 6/2015 Reyes A45C 11/00
D742,385 S * 11/2015 Chaney D14/440

(Continued)

OTHER PUBLICATIONS

2017 New Gearmax 11.6 13.3 15.6 Inch Laptop Sleeve Bag for Macbook Air Pro 11 12 13 15 Retina Protective Case Handbag Briefcase, <https://www.dhgate.com/product/2017-new-gearmax-11-6-13-3-15-6-inch-laptop/410053812.html>.

Primary Examiner — Cynthia R Underwood
(74) *Attorney, Agent, or Firm* — Wayne V. Harper

(57) **CLAIM**

I claim the ornamental design for a laptop sleeve, as shown and described.

(56) **References Cited**

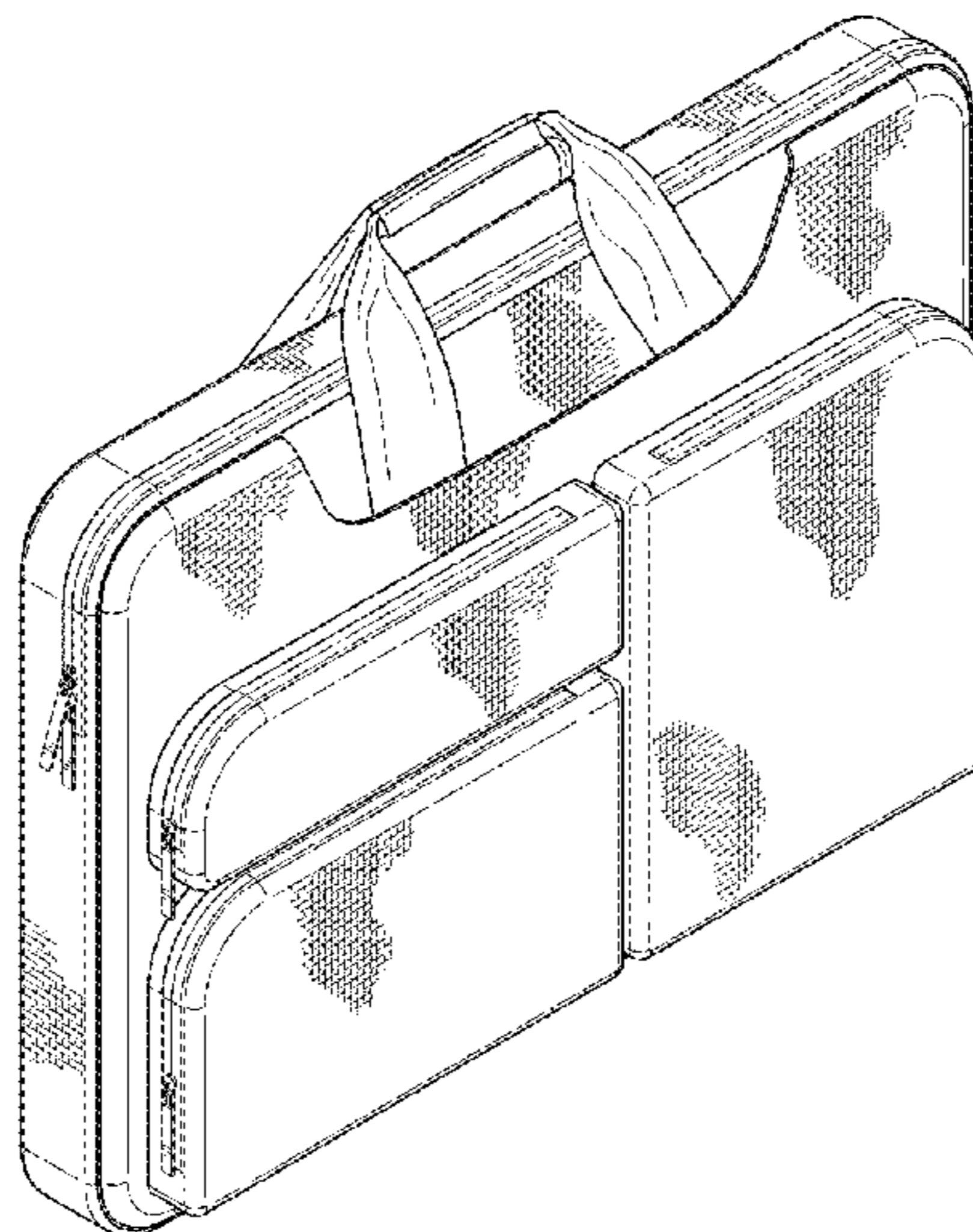
U.S. PATENT DOCUMENTS

D278,860 S * 5/1985 Katz D3/289
D358,935 S * 6/1995 Chang D3/276
D402,810 S * 12/1998 Alves D3/289
D452,612 S * 1/2002 Alexandroff D3/263
D500,597 S * 1/2005 Hillman D3/301
D506,609 S * 6/2005 Hillman D3/289
D517,545 S * 3/2006 Buckel D14/345
D535,101 S * 1/2007 Suppancig D3/289
D552,348 S * 10/2007 Martin D3/265
D574,615 S * 8/2008 Picot D3/289
7,500,561 B2 * 3/2009 Matias A45C 13/02
206/320
D596,402 S 7/2009 Chu et al.
D623,857 S * 9/2010 Austin D3/289
D655,084 S * 3/2012 Shor D3/276
D662,713 S * 7/2012 Marshall D3/315
D663,944 S * 7/2012 Bouskill D3/203.1
D666,815 S * 9/2012 Janus D3/274
D672,958 S * 12/2012 Denzinger D3/289
D677,891 S * 3/2013 Janus D3/289

DESCRIPTION

FIG. 1 is a Perspective view of a laptop sleeve showing my new design;
FIG. 2 is a Front view of the laptop sleeve as shown in FIG. 1;
FIG. 3 is a Back view of the laptop sleeve as shown in FIG. 1;
FIG. 4 is a Left-side view of the laptop sleeve as shown in FIG. 1;
FIG. 5 is a Right-side view of the laptop sleeve as shown in FIG. 1;
FIG. 6 is a Top view of the laptop sleeve as shown in FIG. 1; and,
FIG. 7 is a Bottom view of the laptop sleeve as shown in FIG. 1.

1 Claim, 7 Drawing Sheets



(56)

References Cited

U.S. PATENT DOCUMENTS

D750,086 S * 2/2016 Langhein H04M 1/04
D14/440
D752,052 S * 3/2016 Park D14/440
D754,666 S * 4/2016 Tiffen D14/440
D762,060 S * 7/2016 Adio D3/243
D801,045 S * 10/2017 Claxton D3/265
D805,081 S * 12/2017 Mittelstadt D14/440
D805,299 S * 12/2017 Zhang D3/283
10,162,389 B2 * 12/2018 Tazbaz G06F 1/1681
D837,794 S * 1/2019 Chan D14/440
D852,202 S * 6/2019 Ferren D14/440
2004/0134813 A1 * 7/2004 Domotor A45C 3/02
206/320
2012/0240521 A1 * 9/2012 Johnson A45C 13/02
53/396

* cited by examiner

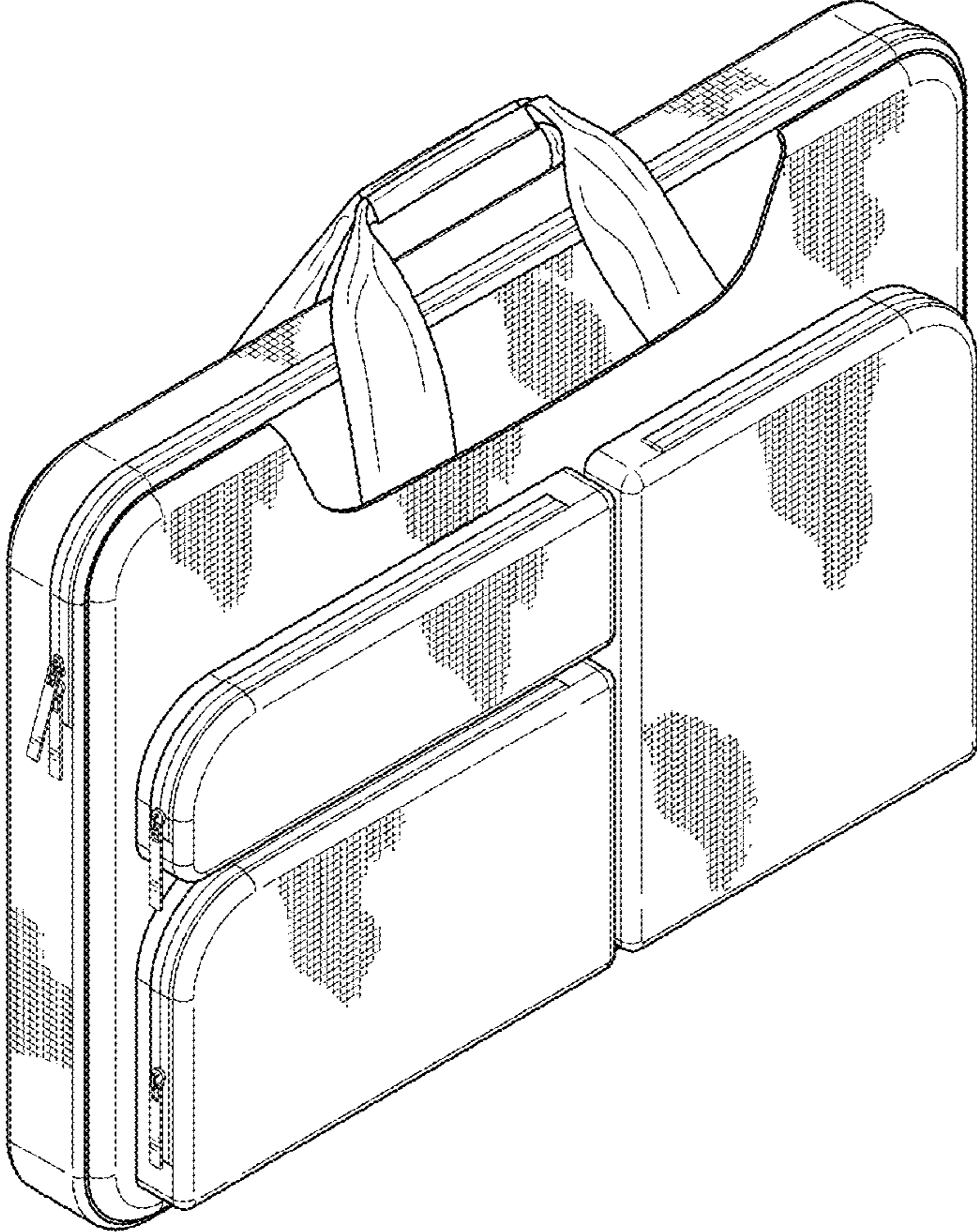


FIG. 1

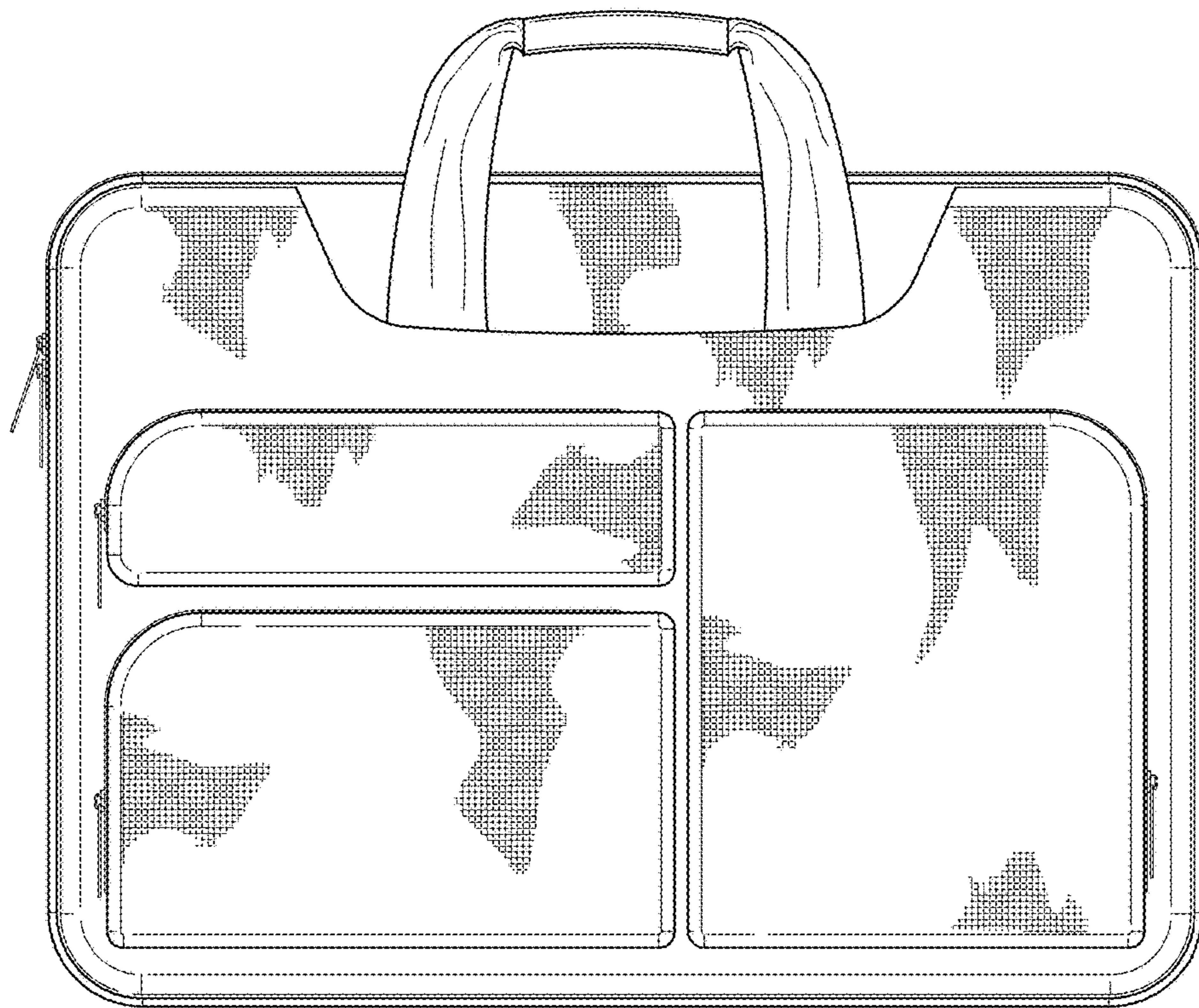


FIG. 2

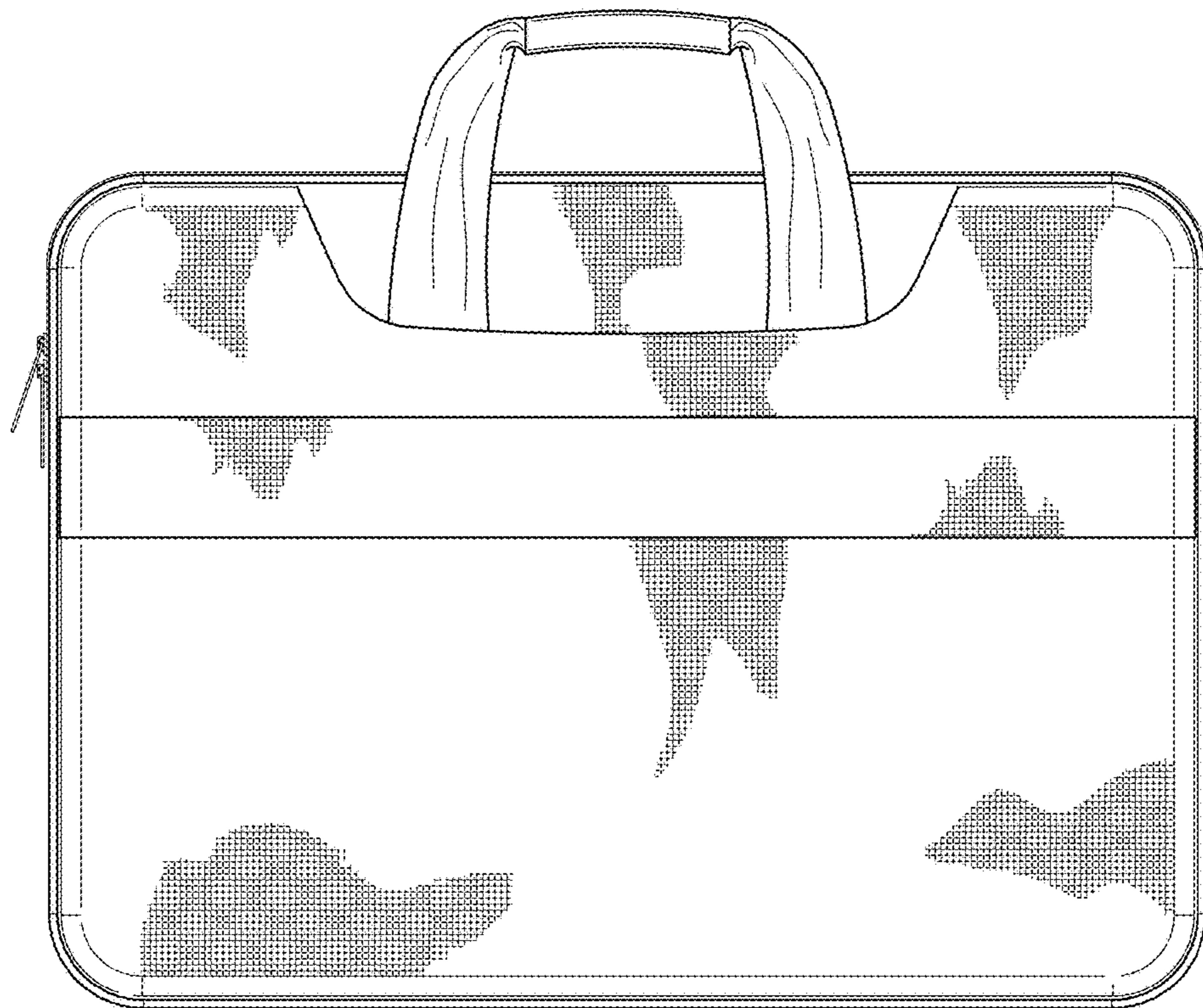


FIG. 3

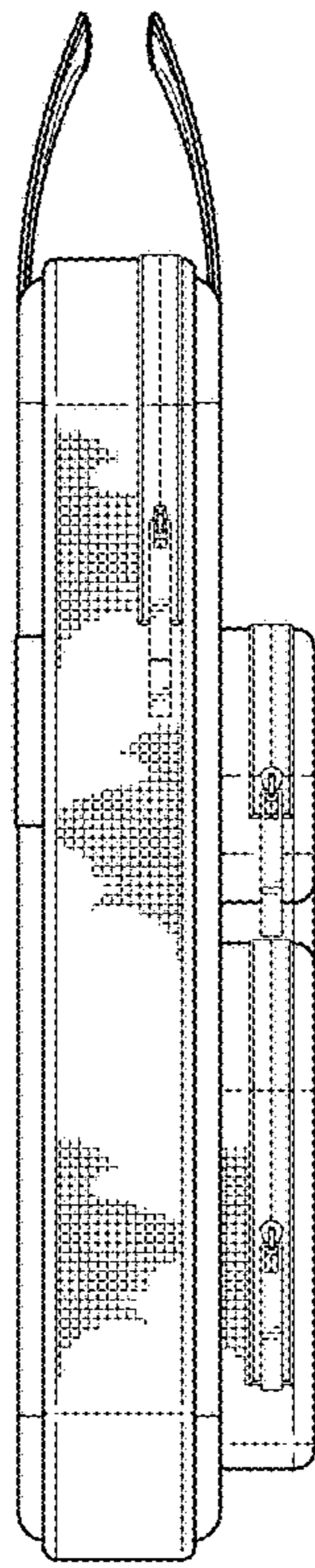


FIG. 4

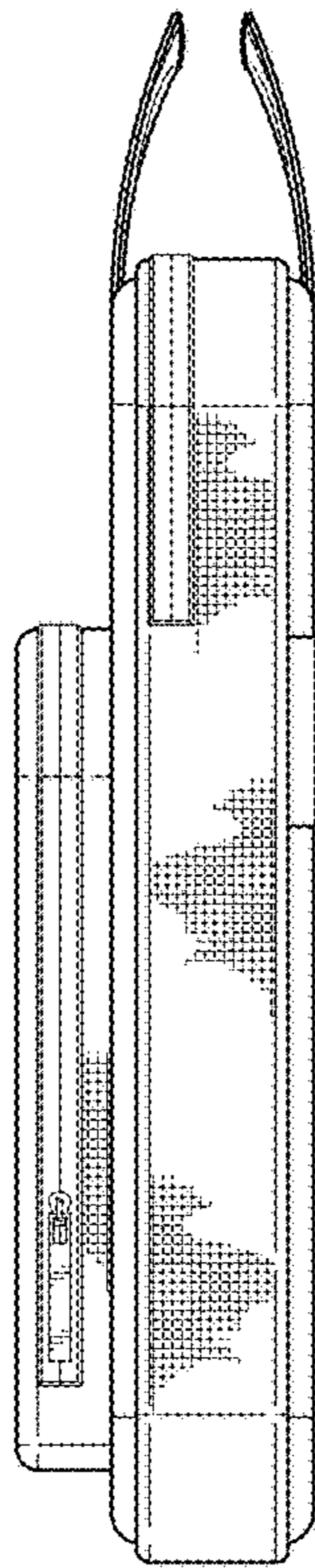


FIG. 5

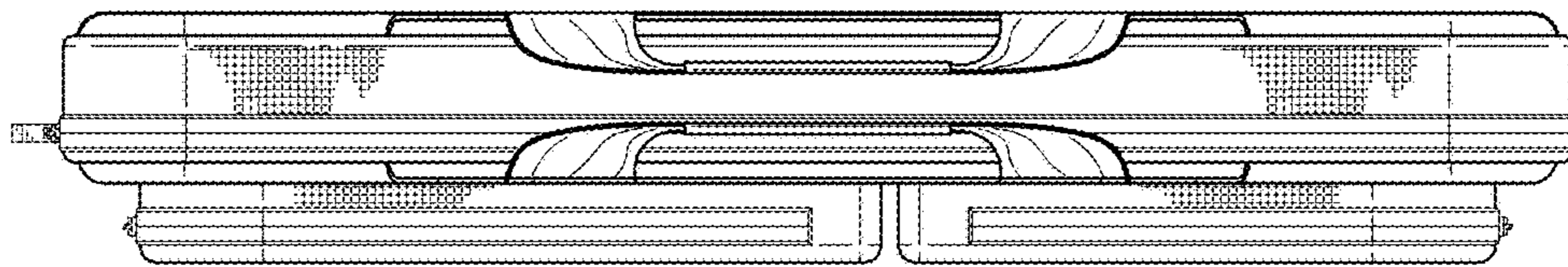


FIG. 6

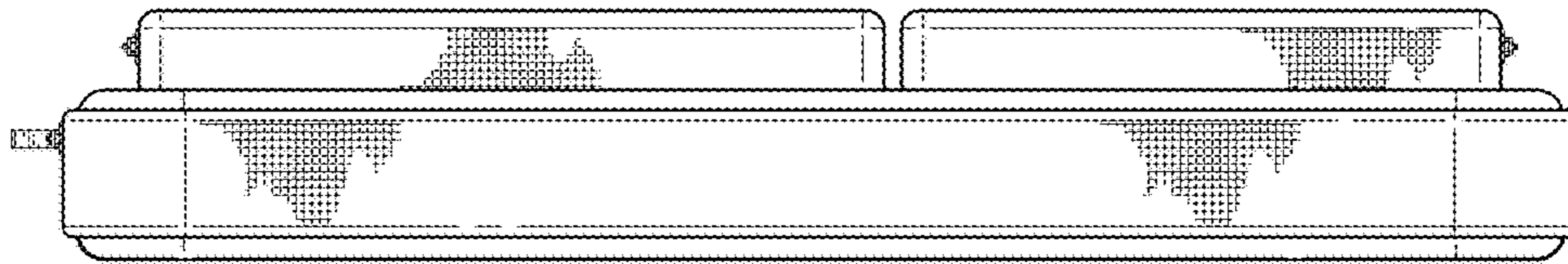


FIG. 7