



US00D870114S

(12) **United States Design Patent** (10) **Patent No.:** **US D870,114 S**
Laffon de Mazieres et al. (45) **Date of Patent:** **** Dec. 17, 2019**

(54) **ADAPTER**

(71) Applicant: **Amazon Technologies, Inc.**, Seattle, WA (US)

(72) Inventors: **Emmanuel J M Laffon de Mazieres**, Burlingame, CA (US); **Christopher Green**, San Francisco, CA (US); **Giles David Matthew McWilliam**, San Francisco, CA (US)

(73) Assignee: **Amazon Technologies, Inc.**, Seattle, WA (US)

(**) Term: **15 Years**

(21) Appl. No.: **29/677,877**

(22) Filed: **Jan. 24, 2019**

Related U.S. Application Data

(62) Division of application No. 29/588,340, filed on Dec. 20, 2016, now Pat. No. Des. 845,303.

(51) **LOC (12) Cl.** **14-02**

(52) **U.S. Cl.**
USPC **D14/433**

(58) **Field of Classification Search**

USPC D14/240, 242, 356, 358, 363, 365, 367, D14/370, 432-437, 439, 498, 125, 366, D14/168, 496; D13/147, 164, 123, 133, D13/146, 110, 199, 103, 162, 159, 160, D13/184; 361/683, 684, 686, 724, 735, 361/737, 752; D18/40
CPC H01R 25/006; H01R 27/02; H01R 31/005; G06F 13/4022; G06F 13/382; G06F 1/1632; G06F 1/1684; G06F 1/20; G06F 1/1607

See application file for complete search history.

(56) **References Cited**

U.S. PATENT DOCUMENTS

D680,539 S 4/2013 Kim
D706,752 S 6/2014 Myung et al.

D707,180 S 6/2014 Yi et al.
D731,489 S * 6/2015 Langhammer D14/433
D742,320 S 11/2015 Akana et al.
D755,790 S 5/2016 Salvatori et al.
D784,340 S * 4/2017 Laffon de Mazieres D14/433
D788,112 S * 5/2017 Liao D14/433
D789,123 S 6/2017 Akana et al.
D789,935 S 6/2017 Zheng et al.
D792,409 S 7/2017 Shim
D798,301 S * 9/2017 Kujawski D14/433
D814,423 S 4/2018 Akana et al.
D820,264 S 6/2018 Lai et al.
10,014,095 B1 7/2018 McHatet

(Continued)

OTHER PUBLICATIONS

Chinese Office Action dated Oct. 10, 2017 for Chinese design application No. 201730255771.X, a counterpart foreign application of Design U.S. Appl. No. 29/588,340, 1 page.

Primary Examiner — Austin Murphy

(74) *Attorney, Agent, or Firm* — Lee & Heays, P.C.

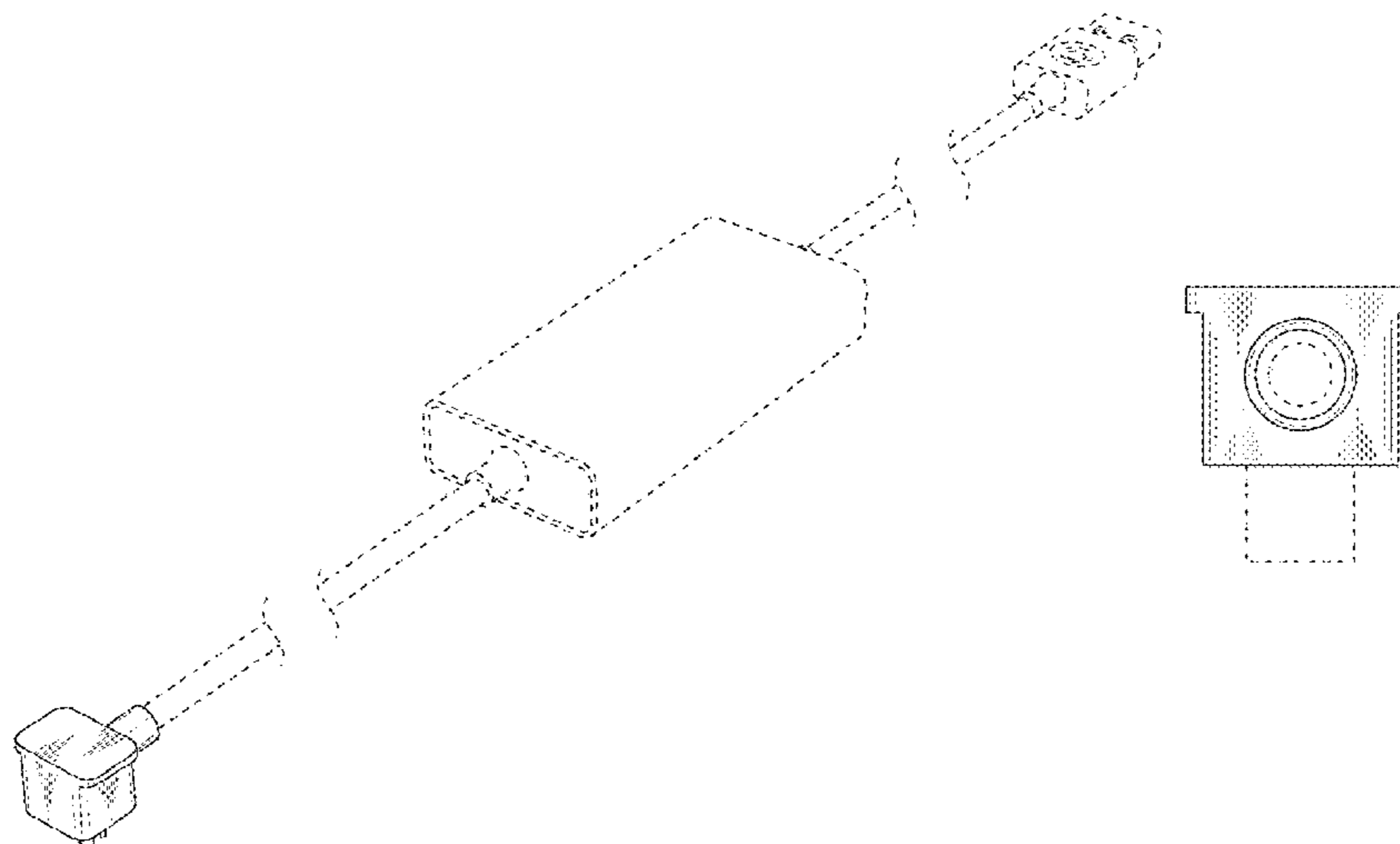
(57) **CLAIM**

The ornamental design for an adapter, as shown and described.

DESCRIPTION

FIG. 1 is a top perspective view of the adapter;
FIG. 2 is a top view thereof;
FIG. 3 is a bottom view thereof;
FIG. 4 is a right-side view thereof;
FIG. 5 is a left-side view thereof;
FIG. 6 is a front view thereof;
FIG. 7 is a back view thereof; and,
FIG. 8 is an enlarged cross-sectional view of the adapter taken along the line labeled FIG. 8 in FIG. 3.
The broken lines depict portions of the adapter that form no part of the claimed design.

1 Claim, 7 Drawing Sheets



(56)

References Cited

U.S. PATENT DOCUMENTS

D828,839 S * 9/2018 Zhang D14/433
D828,840 S * 9/2018 Zhang D14/433
D828,841 S * 9/2018 Zhang D14/433
D839,876 S * 2/2019 Turksu D14/435.1
D845,303 S * 4/2019 Laffon de Mazieres D14/433
D845,898 S * 4/2019 Laffon de Mazieres D13/110
D847,139 S * 4/2019 Wang D14/433
2007/0293079 A1 12/2007 Chao et al.
2014/0075051 A1 3/2014 Zadesky et al.

* cited by examiner

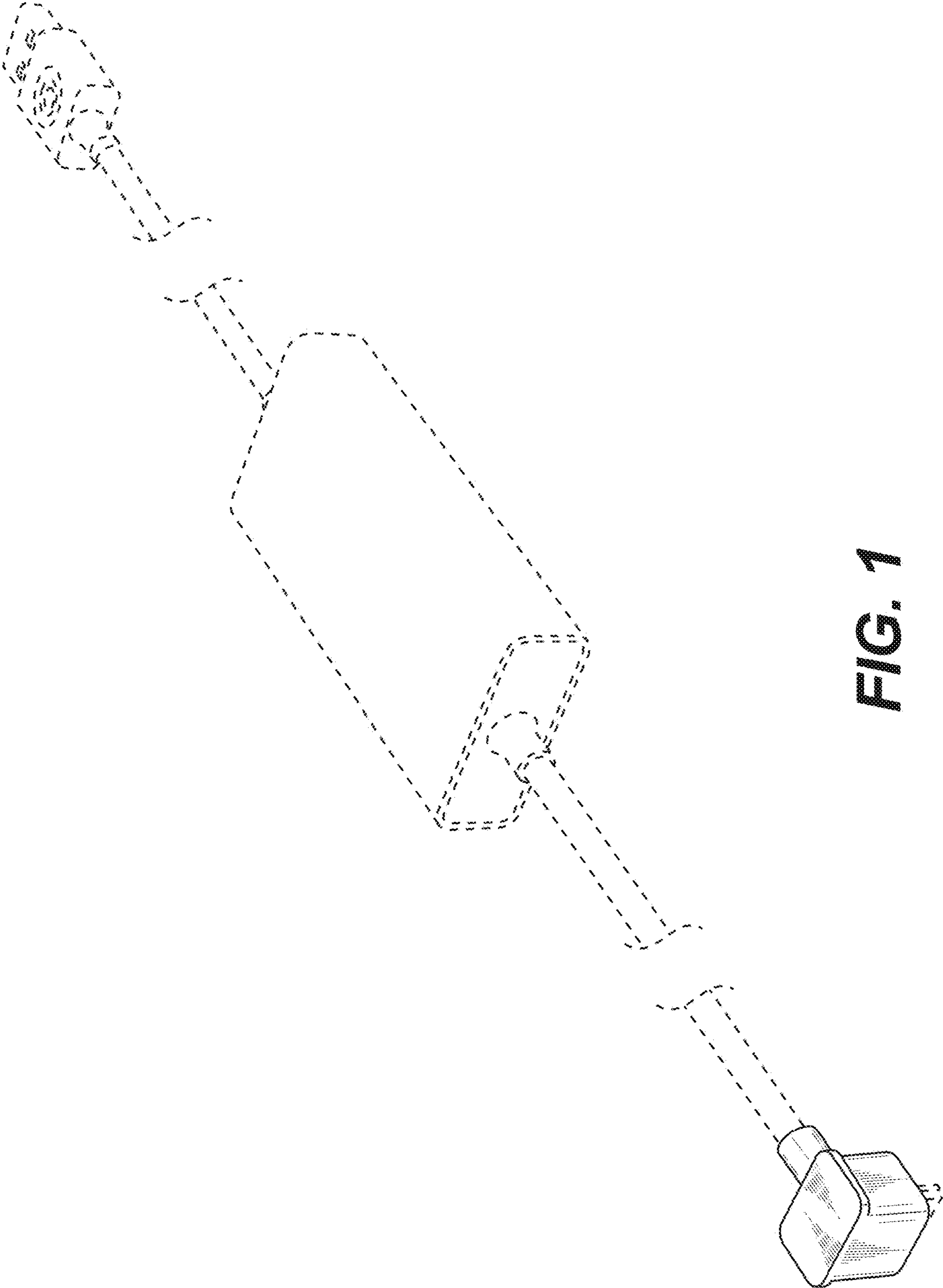


FIG. 1

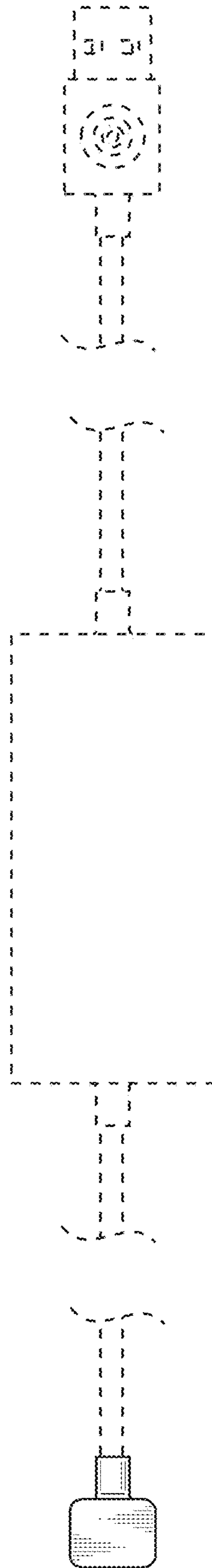
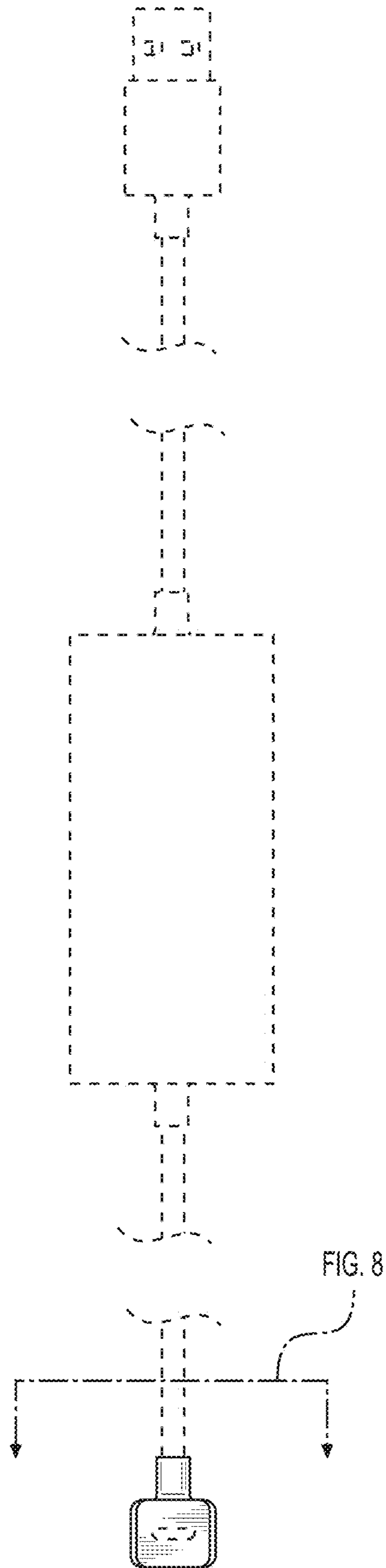


FIG. 2



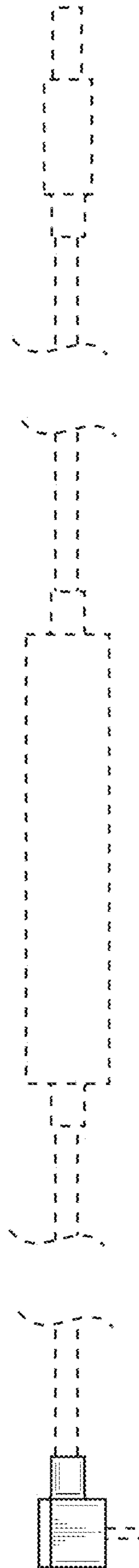


FIG. 4

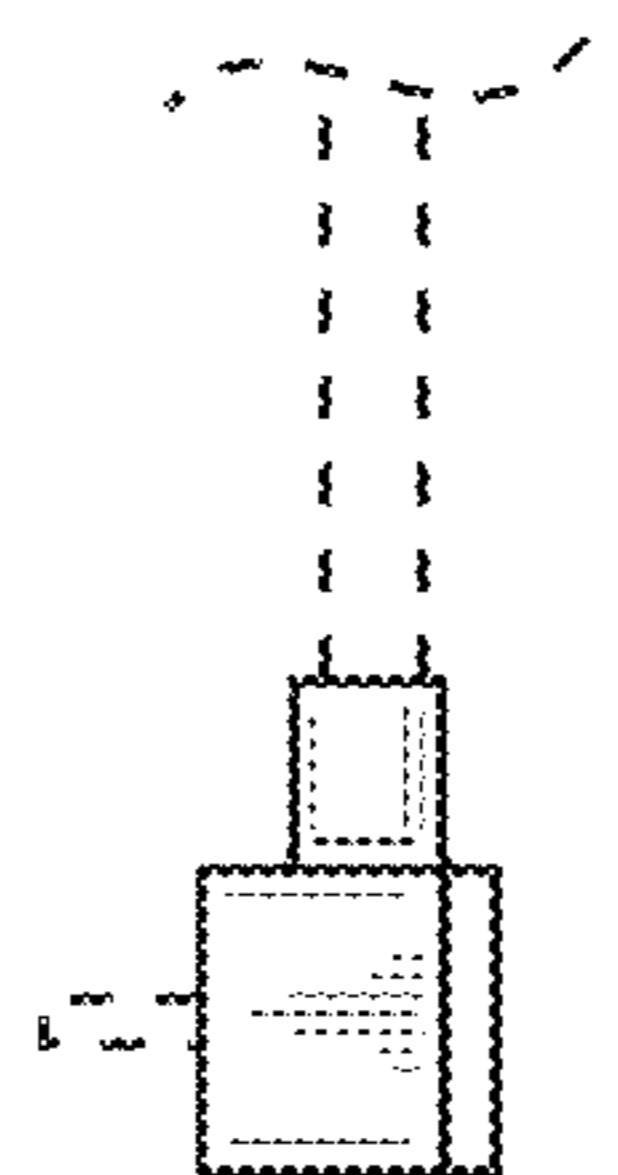
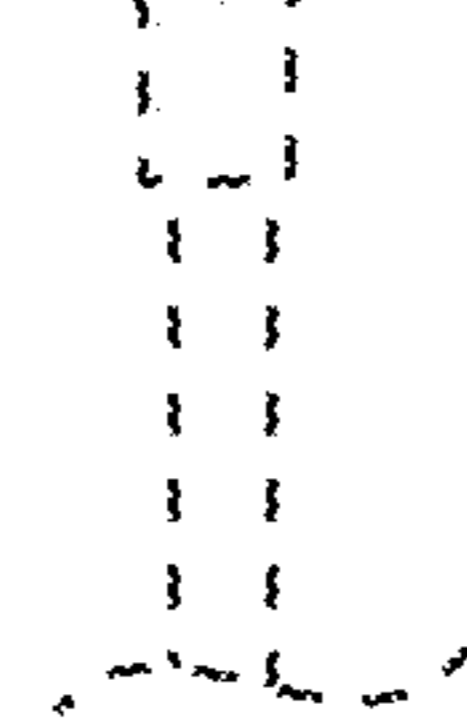
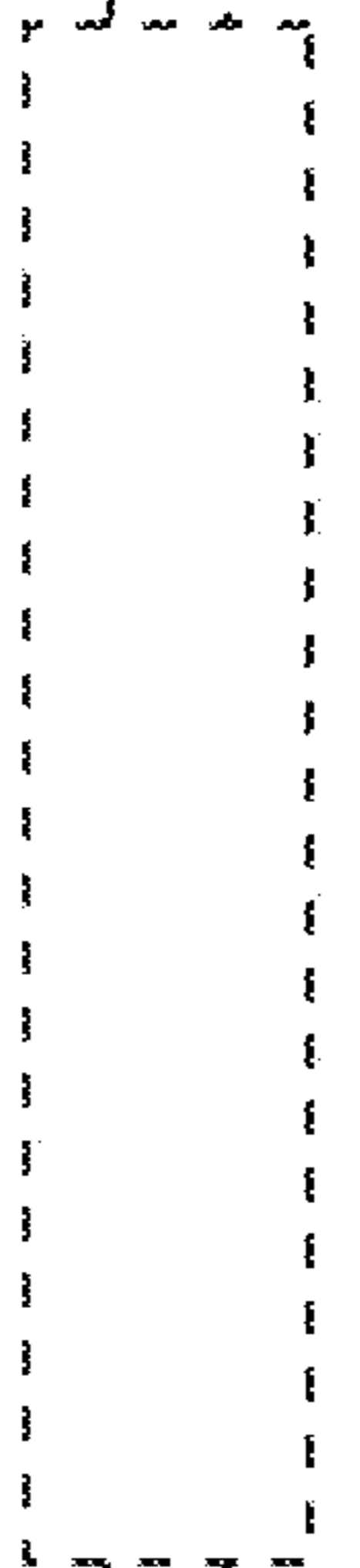
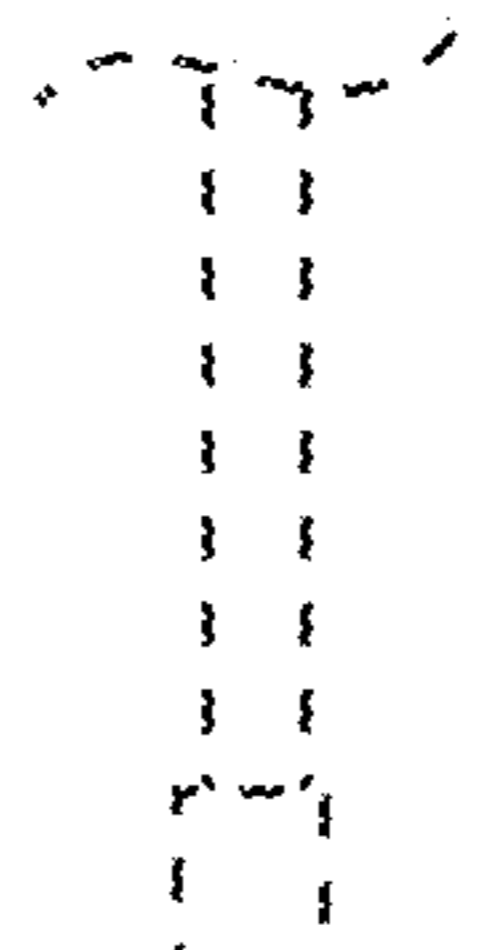
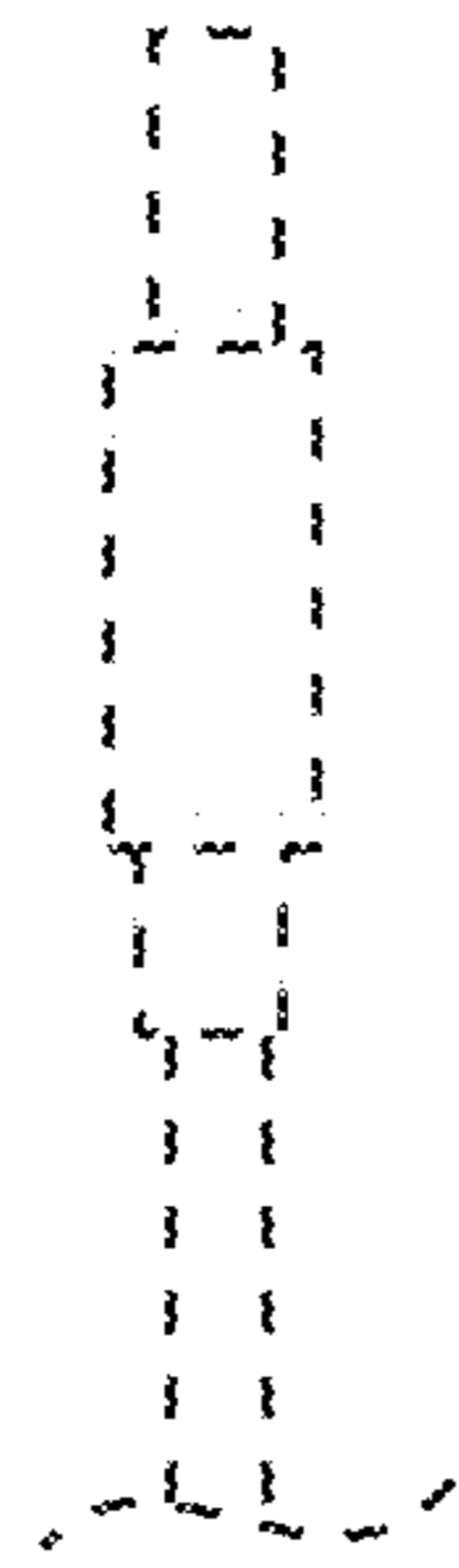


FIG. 5



FIG. 6

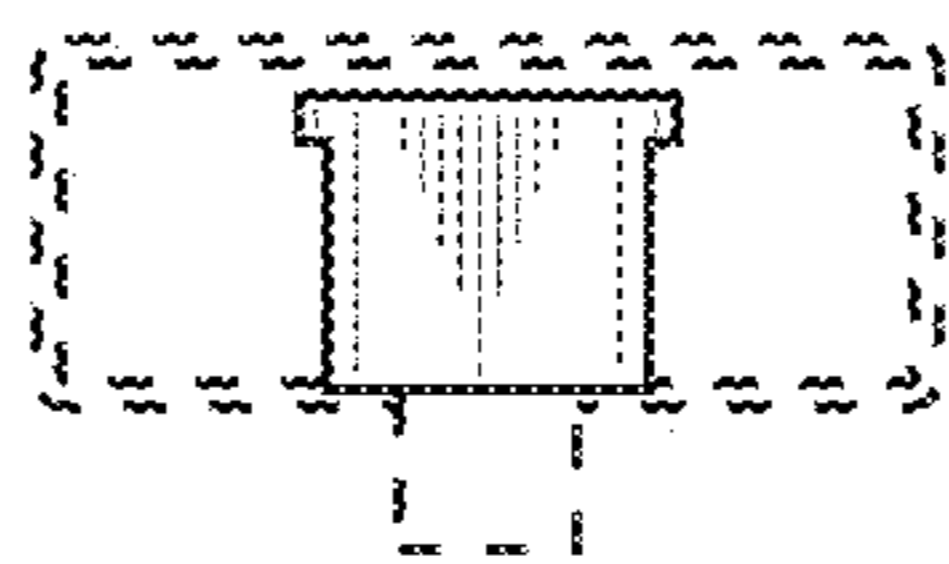


FIG. 7

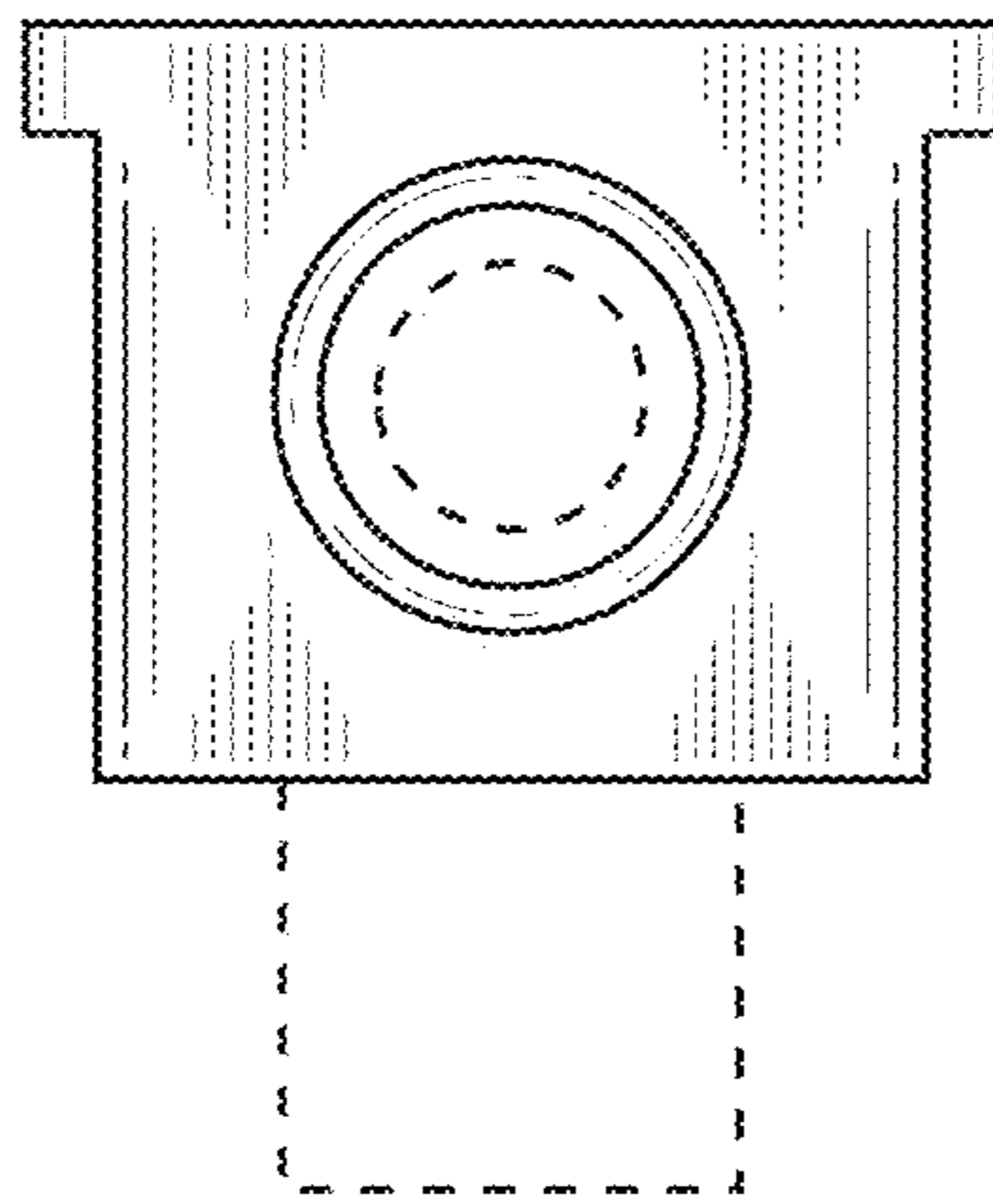


FIG. 8