



US00D870113S

(12) **United States Design Patent**  
**Schneider**

(10) **Patent No.:** **US D870,113 S**

(45) **Date of Patent:** **\*\* Dec. 17, 2019**

(54) **REMOTE CONTROLLER**

(71) Applicant: **STONEAGE, INC.**, Durango, CO (US)

(72) Inventor: **Joseph A. Schneider**, Durango, CO (US)

(73) Assignee: **STONEAGE, INC.**, Durango, CO (US)

(\*\*) Term: **15 Years**

(21) Appl. No.: **29/668,446**

(22) Filed: **Oct. 30, 2018**

(51) **LOC (12) Cl.** ..... **14-03**

(52) **U.S. Cl.**  
USPC ..... **D14/401**; D14/218

(58) **Field of Classification Search**  
USPC ..... D14/218, 401, 388; D13/168, 401;  
D21/333; D32/40; D11/26; D10/30-32,  
D10/38  
CPC ..... G06F 3/0219; G06F 1/16; G06F 3/0202;  
G09G 5/00; G05B 19/02; G08C 17/00;  
G06Q 50/00  
See application file for complete search history.

(56) **References Cited**

**U.S. PATENT DOCUMENTS**

- 5,451,053 A \* 9/1995 Garrido ..... A63F 13/06  
463/38
- D405,780 S \* 2/1999 Smith ..... D14/401
- D435,542 S \* 12/2000 Onoda ..... D14/218
- 6,456,778 B2 \* 9/2002 Armstrong ..... A63F 13/06  
386/230
- 6,469,691 B1 \* 10/2002 Armstrong ..... A63F 13/06  
345/159
- 6,504,527 B1 \* 1/2003 Armstrong ..... A63F 13/06  
345/159
- 6,529,185 B1 \* 3/2003 Armstrong ..... A63F 13/06  
345/159
- D475,710 S \* 6/2003 Sheehan ..... G06F 3/0219  
D14/401
- D631,476 S \* 1/2011 Piedra ..... D14/401

- D655,758 S \* 3/2012 Sunabe ..... D21/330
- D686,209 S \* 7/2013 Sun ..... D14/401
- D713,467 S \* 9/2014 Sawhney ..... D21/324
- 9,126,119 B2 \* 9/2015 Joynes ..... A63F 13/23
- 9,592,453 B2 \* 3/2017 Townley ..... A63F 13/06
- 9,808,713 B1 \* 11/2017 Townley ..... G06F 13/4027

(Continued)

**FOREIGN PATENT DOCUMENTS**

CN 302982334 \* 10/2014

**OTHER PUBLICATIONS**

Amazon.com: IPEGA PG-9083S Wireless adapter 4.0 Joystick Gamepad, reviews 2018, <https://www.amazon.com/PG-90835-Wireless-Joystick-Telescopic-Smartphone/dp/B07BF...> site visited Sep. 13, 2019 (Year: 2019).\*

(Continued)

*Primary Examiner* — Lilyana Bekic  
*Assistant Examiner* — John R Yeh

(74) *Attorney, Agent, or Firm* — Greenberg Traurig, LLP

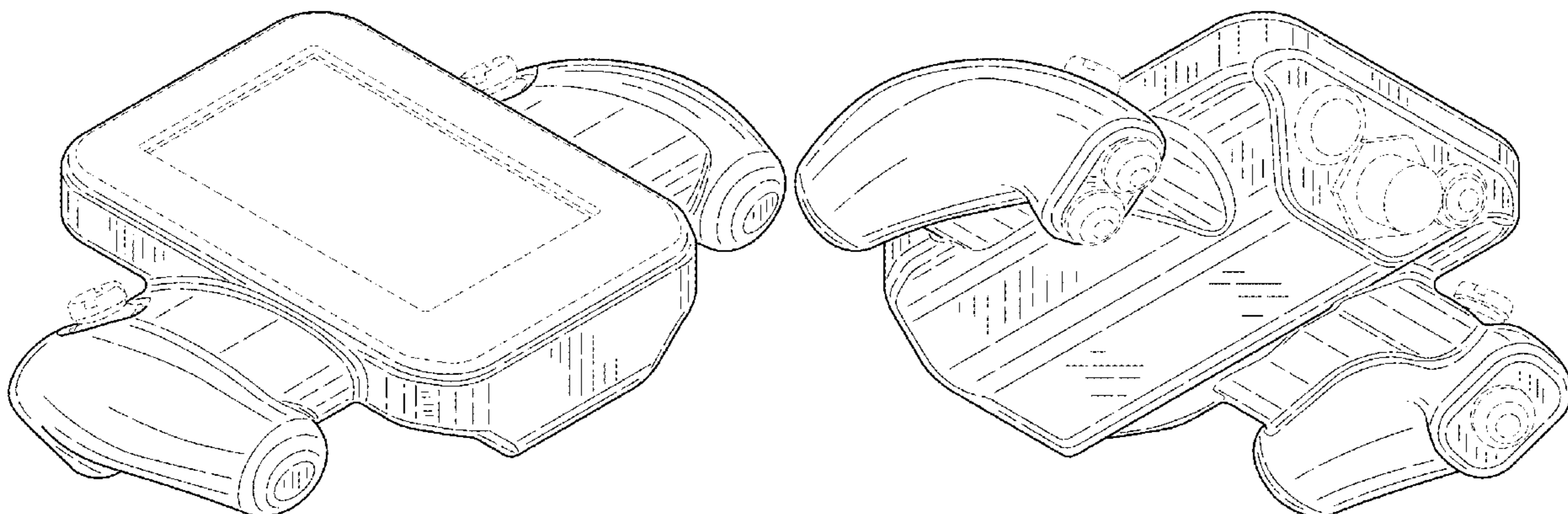
(57) **CLAIM**

The ornamental design for a remote controller, as shown and described.

**DESCRIPTION**

FIG. 1 is a front upper perspective view of my design for a remote controller;  
FIG. 2 is a rear bottom perspective view thereof;  
FIG. 3 is a front view thereof;  
FIG. 4 is a rear view thereof;  
FIG. 5 is a left side view thereof;  
FIG. 6 is a right side view thereof;  
FIG. 7 is a top view thereof; and,  
FIG. 8 is a bottom view thereof.  
The broken lines in the drawings depict portions of the remote controller that form no part of the claimed design.

**1 Claim, 8 Drawing Sheets**



(56)

**References Cited**

U.S. PATENT DOCUMENTS

9,895,606 B1 \* 2/2018 Kamata ..... A63F 13/24  
10,010,789 B2 \* 7/2018 Koizumi ..... G06F 1/1684  
10,159,895 B2 \* 12/2018 Townley ..... G06F 13/4027  
2009/0085778 A1 \* 4/2009 Ikeda ..... A63F 13/02  
341/22  
2014/0274394 A1 \* 9/2014 Willis ..... G06F 1/1632  
463/37  
2016/0051900 A1 \* 2/2016 Townley ..... A63F 13/06  
463/31  
2017/0319953 A1 \* 11/2017 Townley ..... A63F 13/06

OTHER PUBLICATIONS

Stone Age Gamer website 2019, <https://stoneagegamer.com/>, site visited Sep. 13, 2019 (Year: 2019).\*

\* cited by examiner

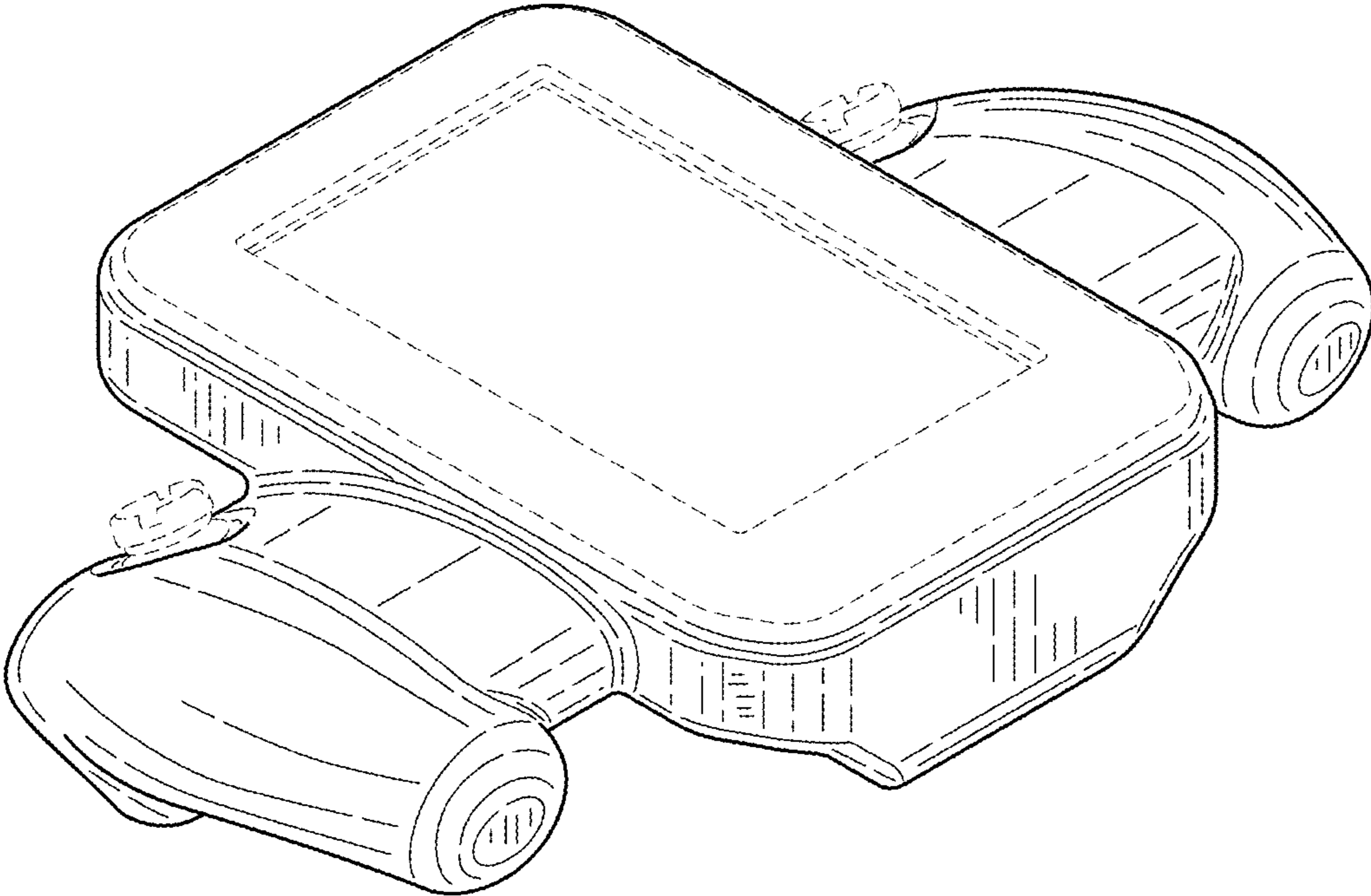


FIG.1

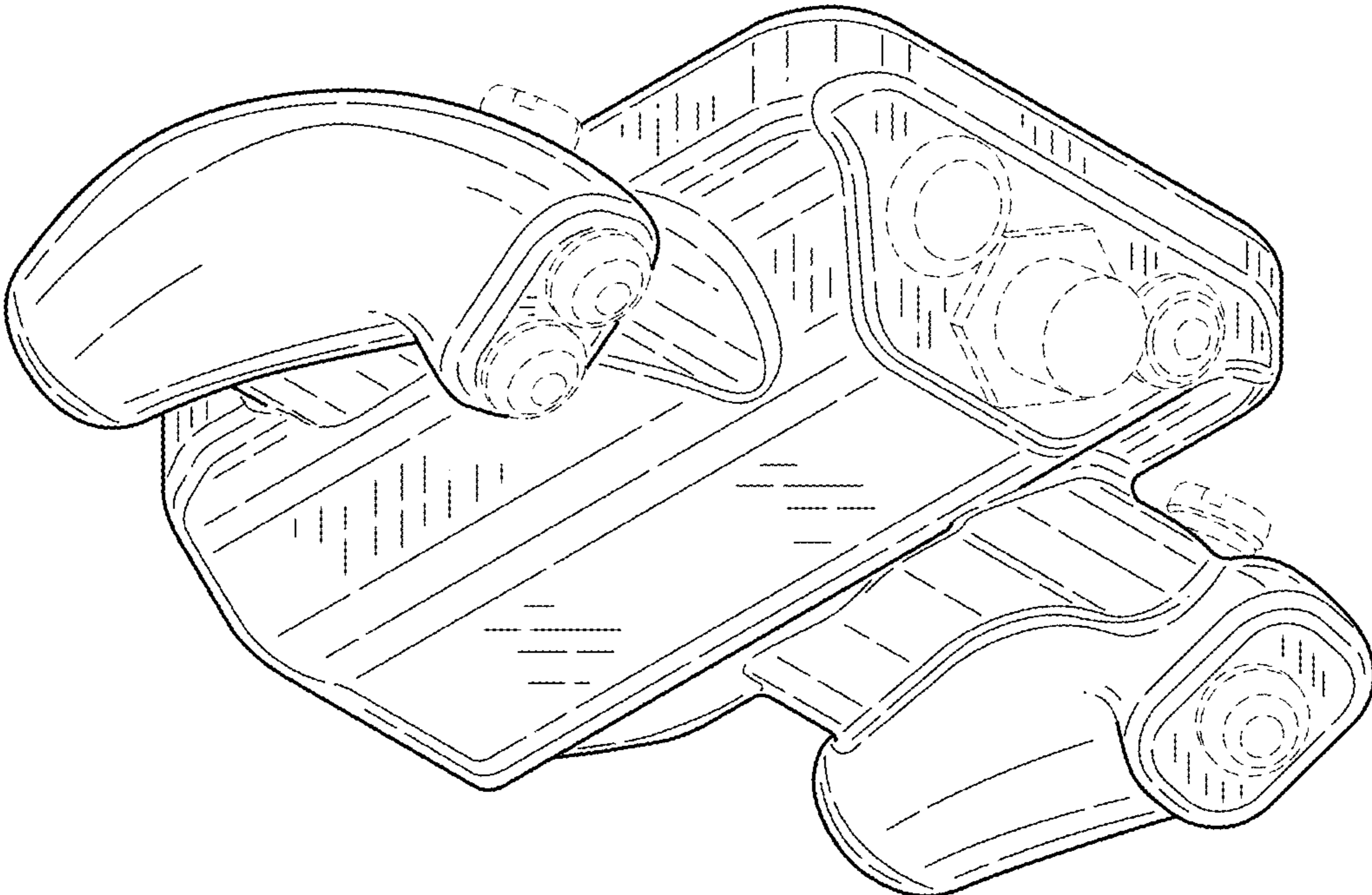


FIG.2



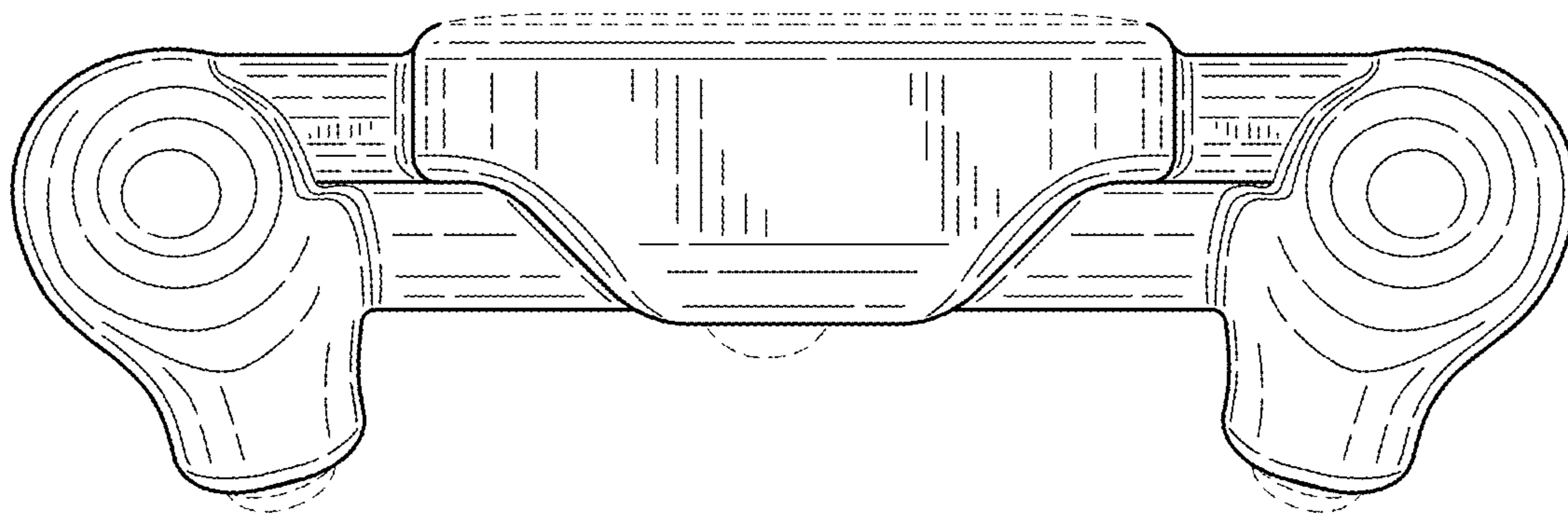


FIG.3

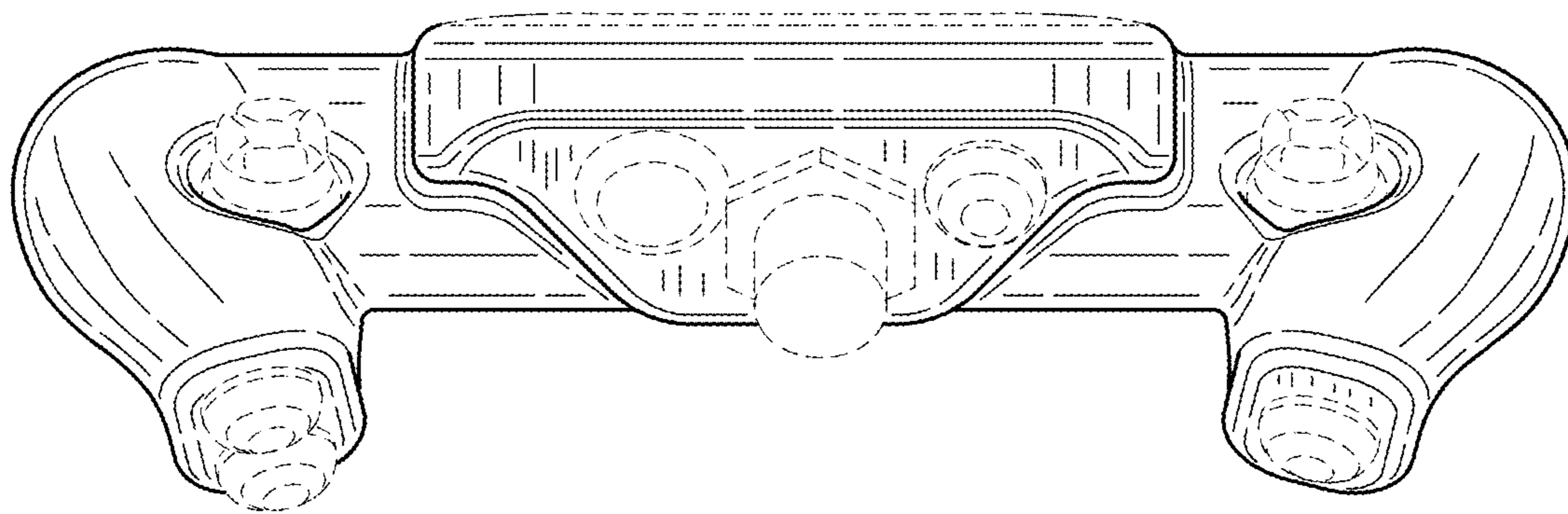


FIG.4



FIG.5

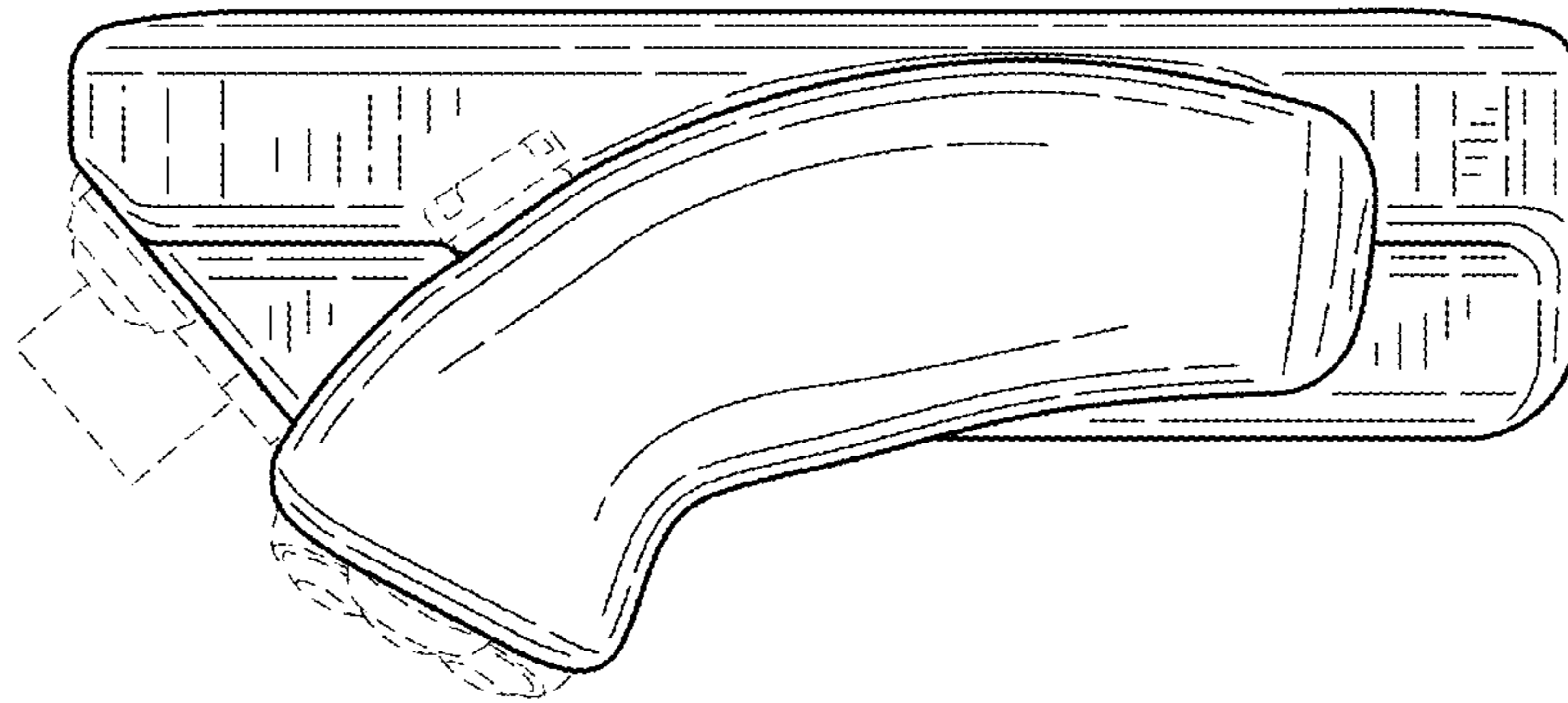


FIG.6



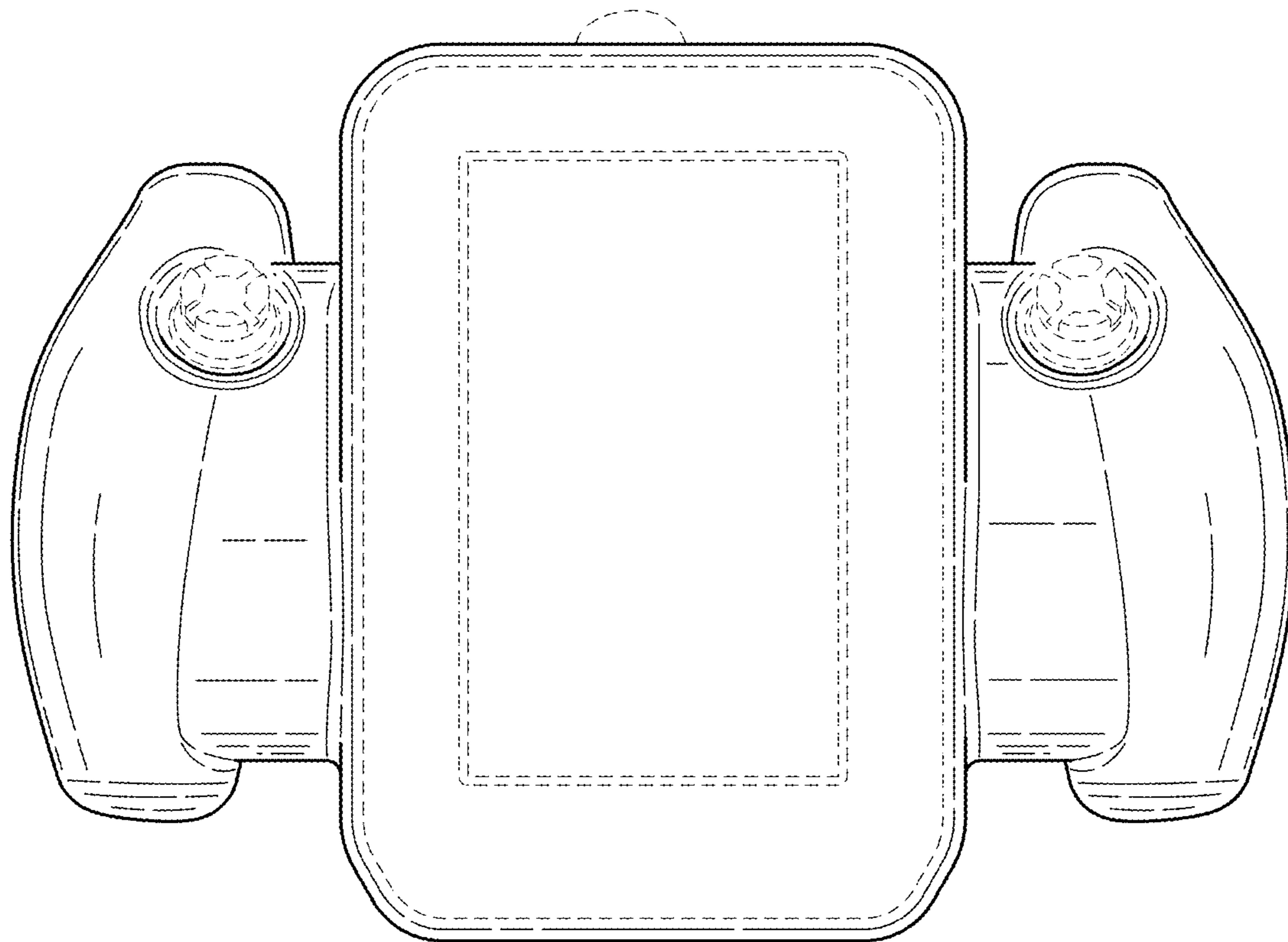


FIG.7

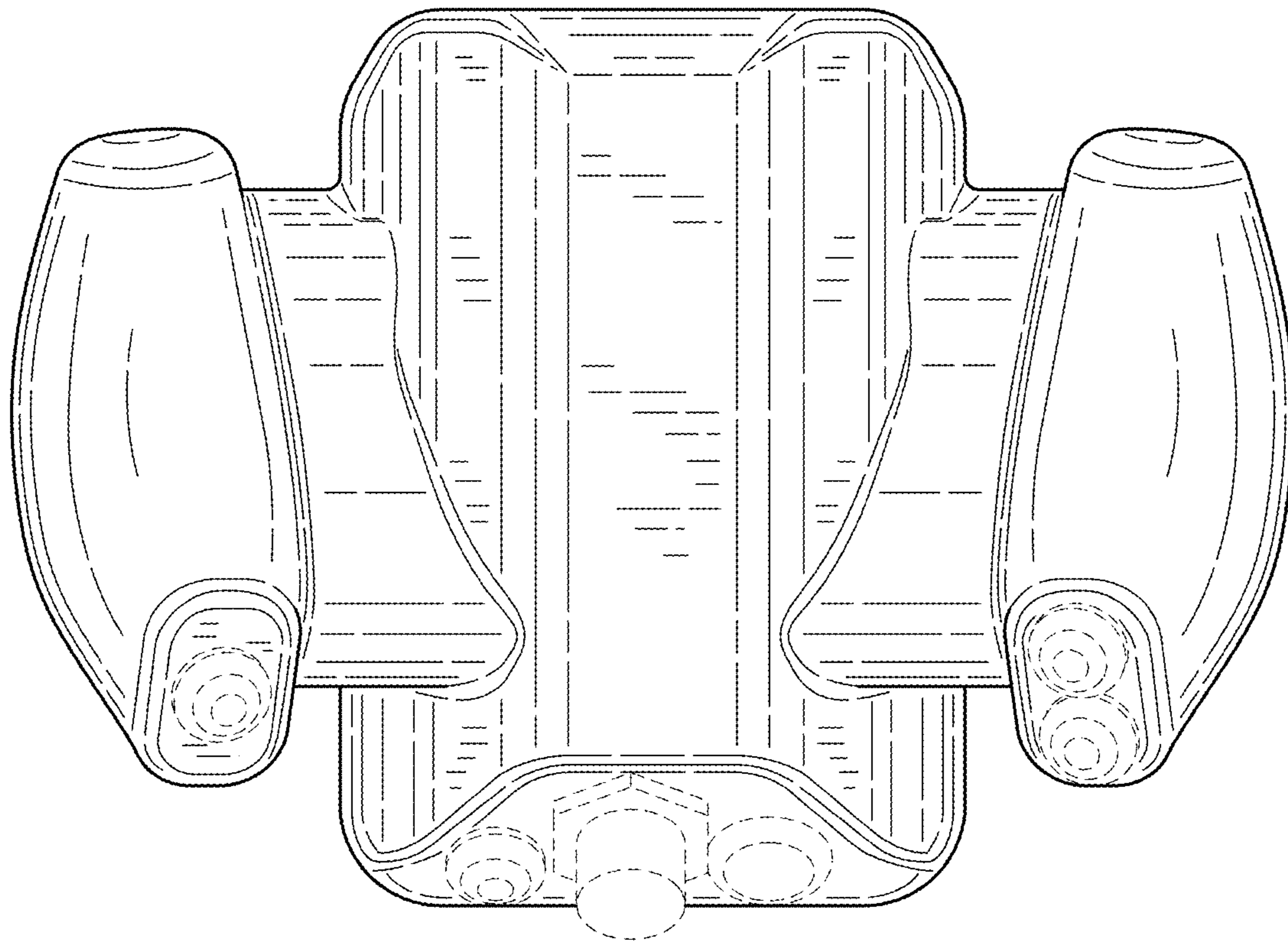


FIG.8