



US00D870109S

(12) **United States Design Patent**
Anzai et al.

(10) **Patent No.:** **US D870,109 S**

(45) **Date of Patent:** **** Dec. 17, 2019**

(54) **ACCESSORY FOR HEAD-MOUNTED DISPLAY**

(71) Applicant: **SONY INTERACTIVE ENTERTAINMENT INC.**, Tokyo (JP)

(72) Inventors: **Hiroyuki Anzai**, Tokyo (JP); **Takayuki Tateno**, Tokyo (JP)

(73) Assignee: **SONY INTERACTIVE ENTERTAINMENT INC.**, Tokyo (JP)

(**) Term: **15 Years**

(21) Appl. No.: **29/660,776**

(22) Filed: **Aug. 22, 2018**

(30) **Foreign Application Priority Data**

Feb. 23, 2018 (JP) 2018-003786

(51) **LOC (12) Cl.** **14-02**

(52) **U.S. Cl.**
USPC **D14/372**

(58) **Field of Classification Search**
USPC D14/372, 496, 432, 371, 125, 126, 129, D14/299; D16/300-342; 351/158, 153, 351/144; 345/7-9, 905; 455/344; 348/115, 53, 121, 739; 492/56; D15/148
CPC G02B 27/017; G02B 27/0158; G02B 27/0161; G02B 27/0181; G02B 27/0185; G02B 27/0189
See application file for complete search history.

(56) **References Cited**

U.S. PATENT DOCUMENTS

D368,481 S * 4/1996 Ijames D15/5
D480,026 S * 9/2003 Reed D12/124
D487,760 S * 3/2004 Martin D15/148
D500,948 S * 1/2005 Myers D8/343
D582,450 S * 12/2008 Shirataki D15/148

D595,619 S * 7/2009 Morrow D12/123
D603,761 S * 11/2009 Morrow D12/123
8,292,791 B2 * 10/2012 Akama G03G 15/0233
399/286
D745,517 S * 12/2015 Kumagai D14/372
D778,908 S * 2/2017 Mase D14/372
D781,290 S * 3/2017 Kim D14/372
D787,996 S * 5/2017 Rode D12/180
D788,172 S * 5/2017 Itomi D12/124
D791,124 S * 7/2017 Seki D14/372

(Continued)

Primary Examiner — Austin Murphy

(74) *Attorney, Agent, or Firm* — Young & Thompson

(57) **CLAIM**

The ornamental design for an accessory for head-mounted display, as shown and described.

DESCRIPTION

FIG. 1 is a perspective view of front, top and left side of an accessory for head-mounted display showing our new design;

FIG. 2 is a perspective view of rear, bottom and right side thereof;

FIG. 3 is a front view thereof;

FIG. 4 is a rear view thereof;

FIG. 5 is a left side view thereof;

FIG. 6 is a right side view thereof;

FIG. 7 is a top view thereof;

FIG. 8 is a bottom view thereof;

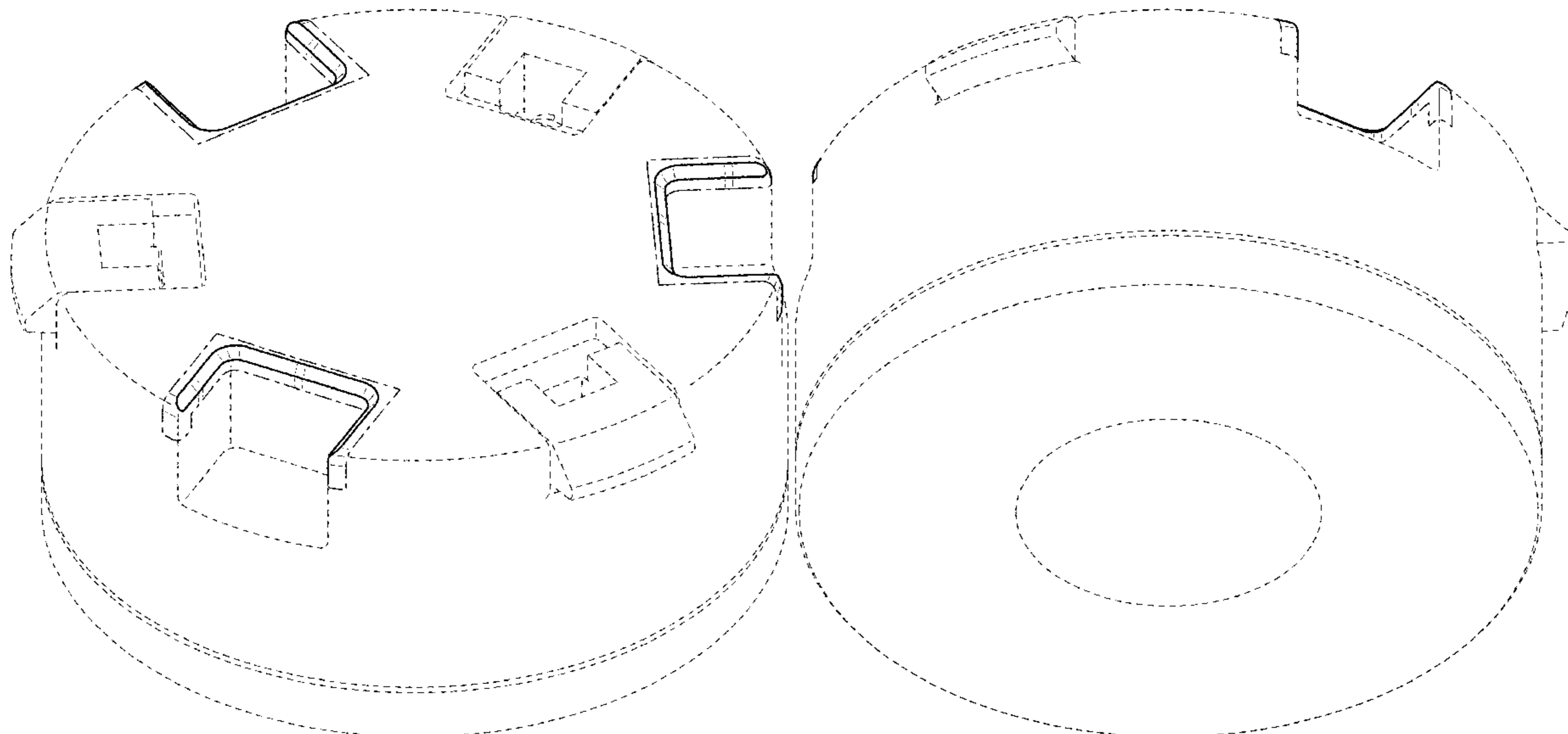
FIG. 9 is a reference view of usage thereof;

FIG. 10 is a reference view with the article removed thereof; and,

FIG. 11 is a reference view showing the partially enlarged portion of FIG. 10 thereof.

The portions of the article in broken lines are shown for illustrative purposes only and form no part of the claimed design. The dot and dashed lines mean a boundary between the claimed portion and the non-claimed portion.

1 Claim, 9 Drawing Sheets



(56)

References Cited

U.S. PATENT DOCUMENTS

9,703,103	B2 *	7/2017	Araki	G09G 5/00
D812,613	S *	3/2018	Cafferty	D14/372
D834,017	S *	11/2018	Beynel	D14/372
D834,475	S *	11/2018	Rode	D12/180
D859,402	S *	9/2019	Eroma	D14/372

* cited by examiner

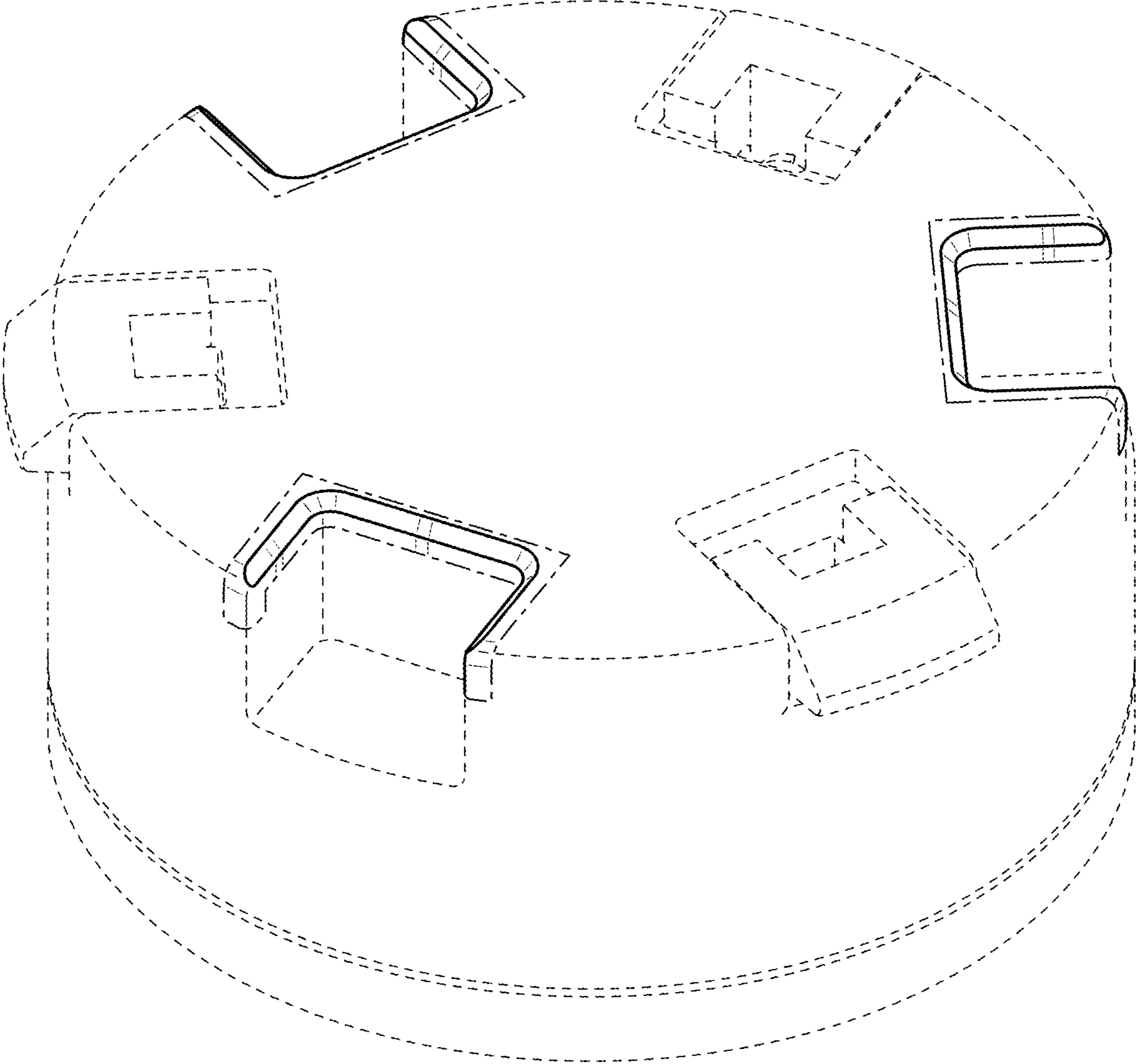


FIG. 1

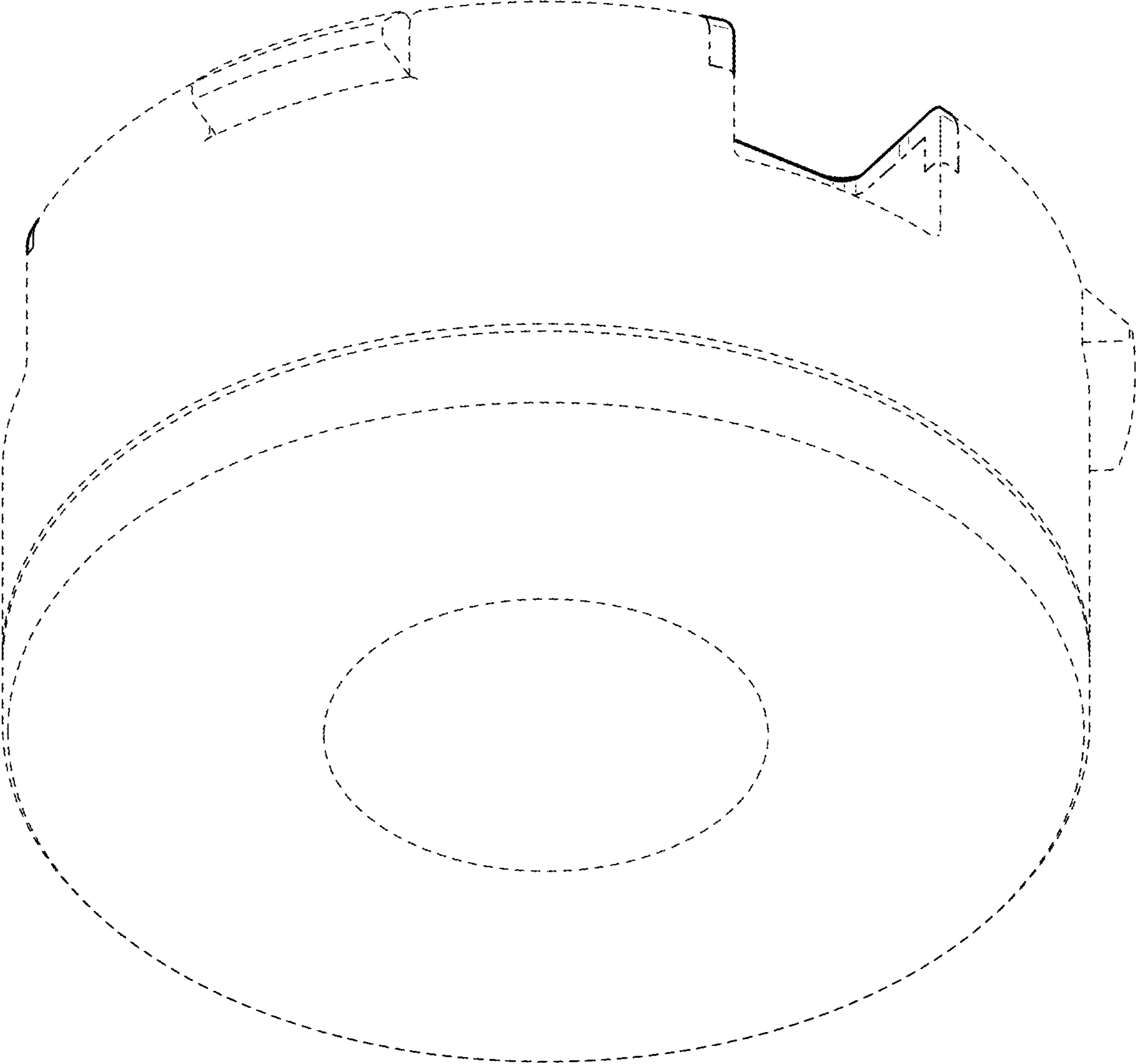


FIG. 2

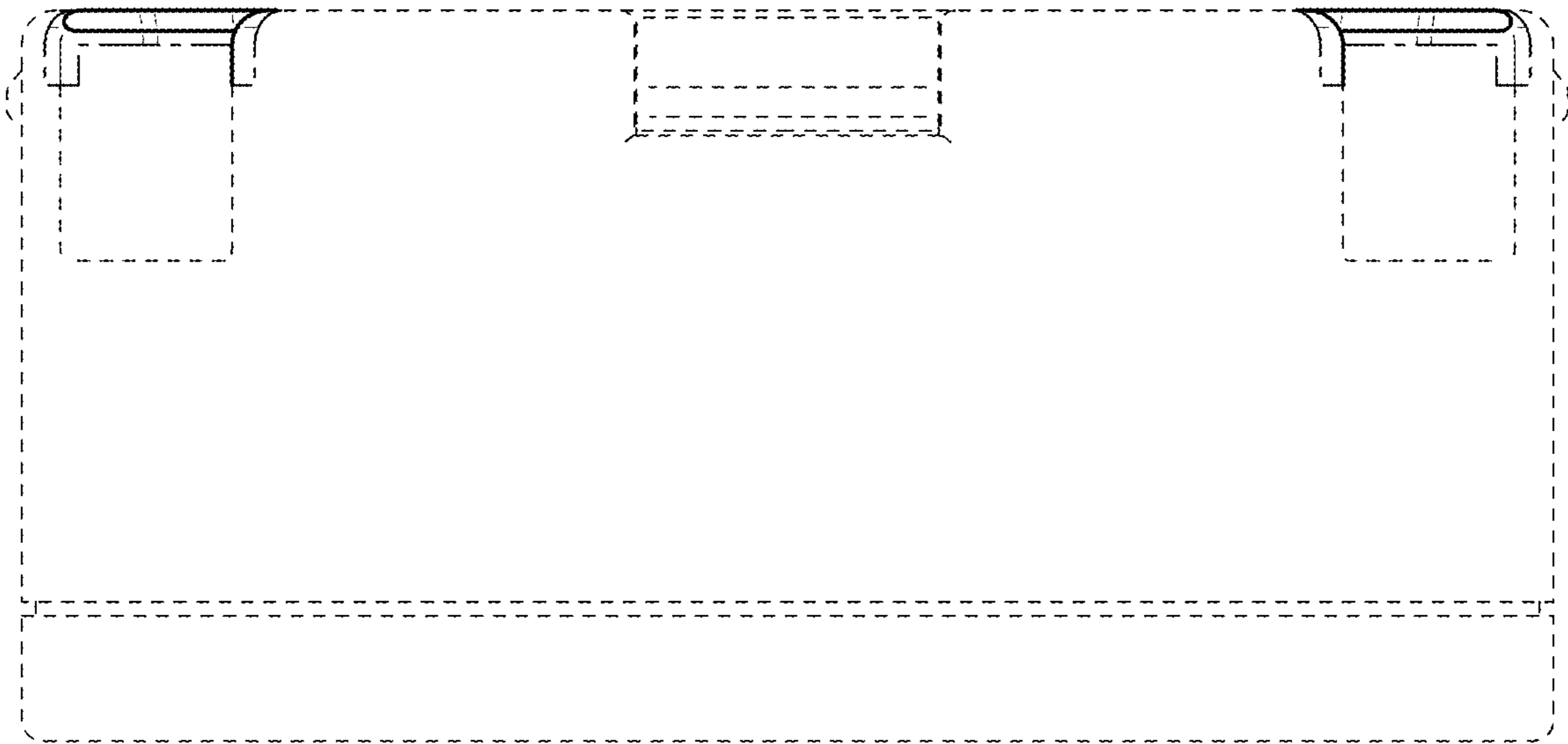


FIG. 3

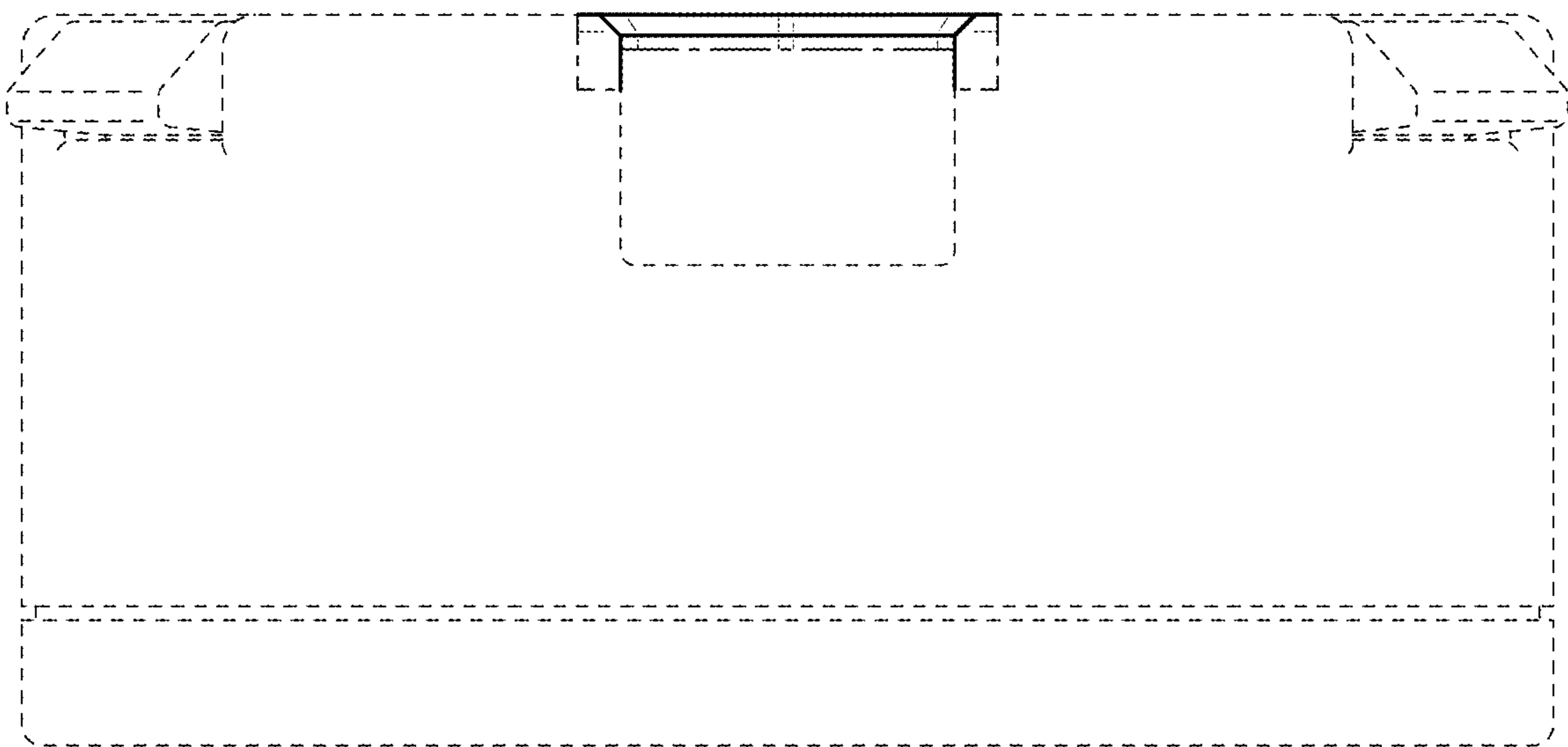


FIG. 4

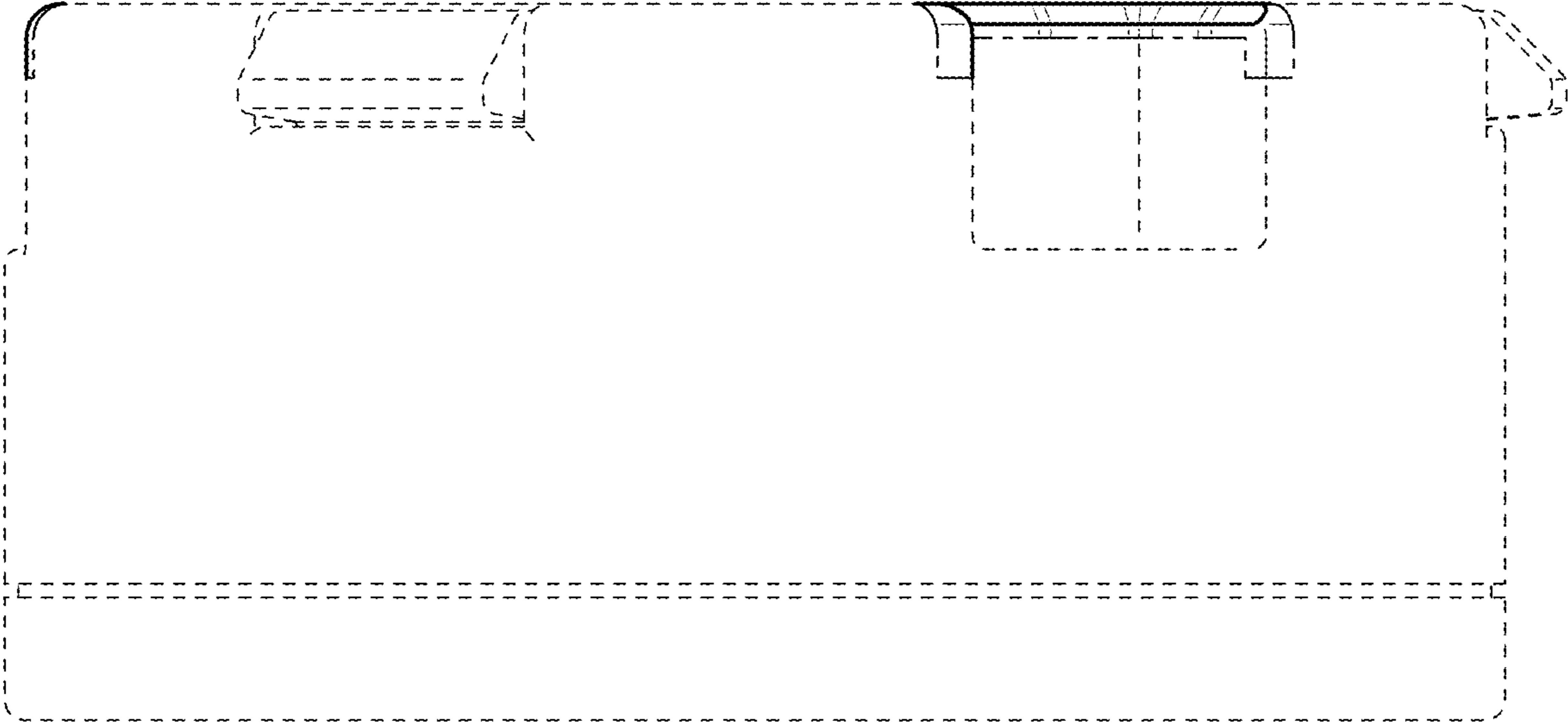


FIG. 5

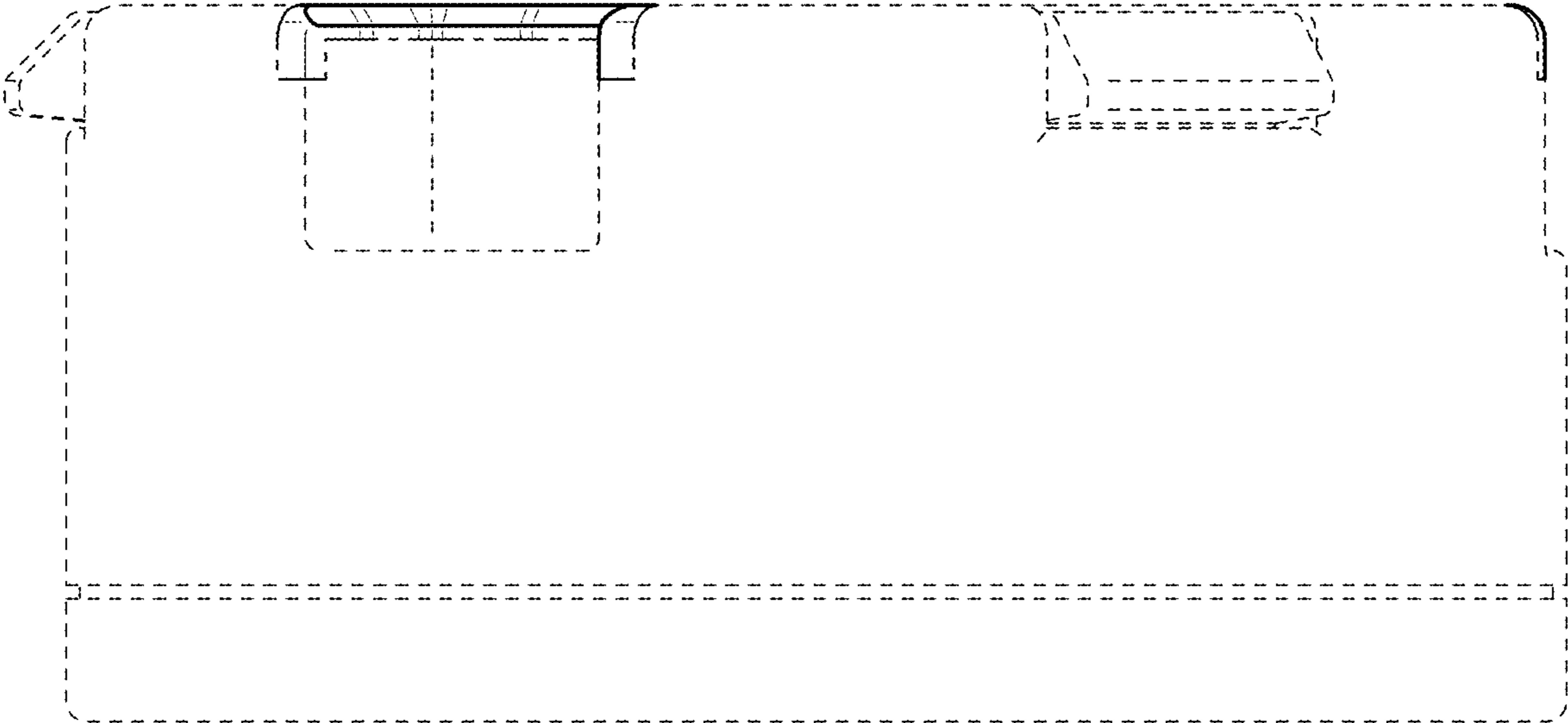


FIG. 6

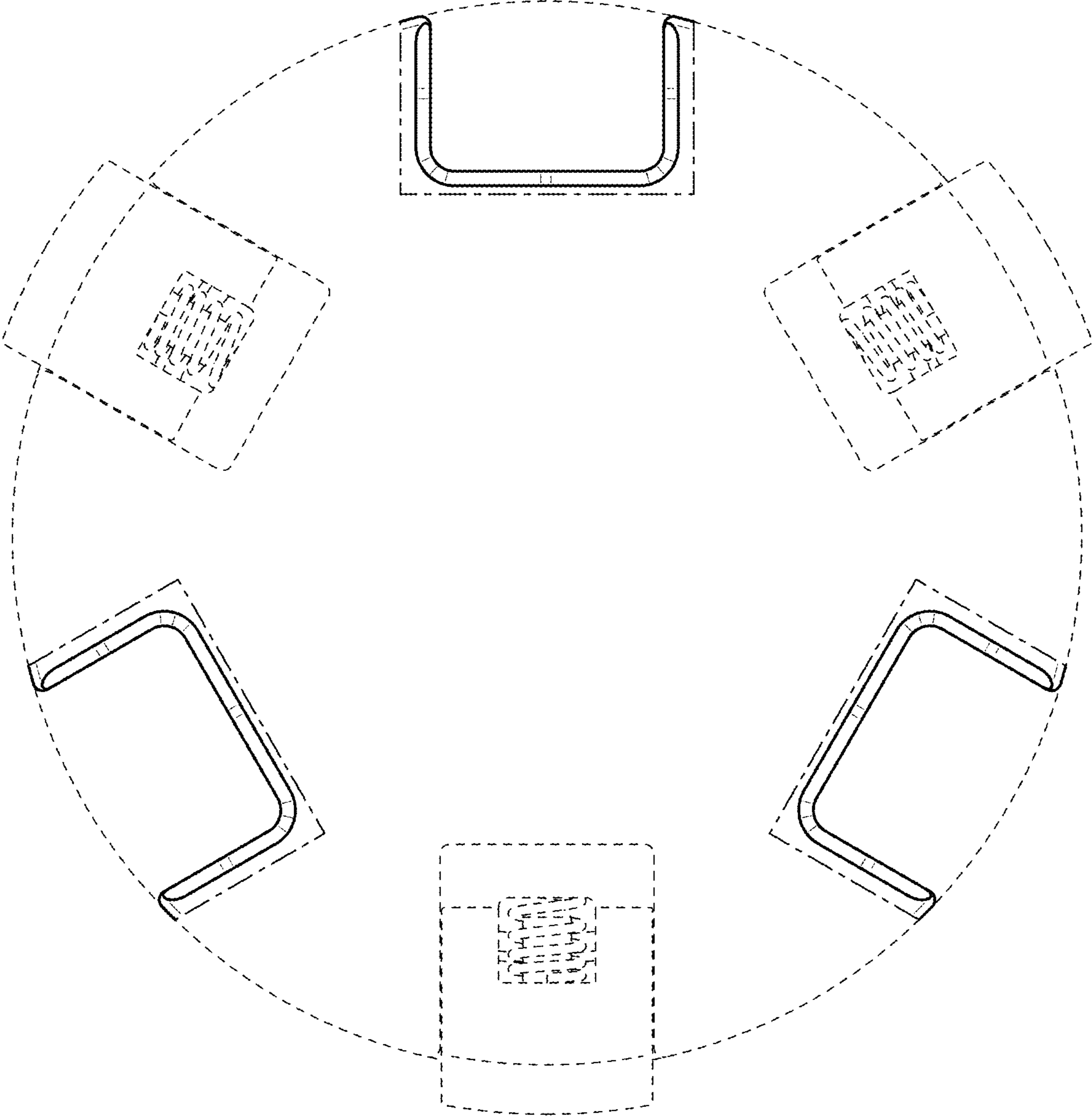


FIG. 7

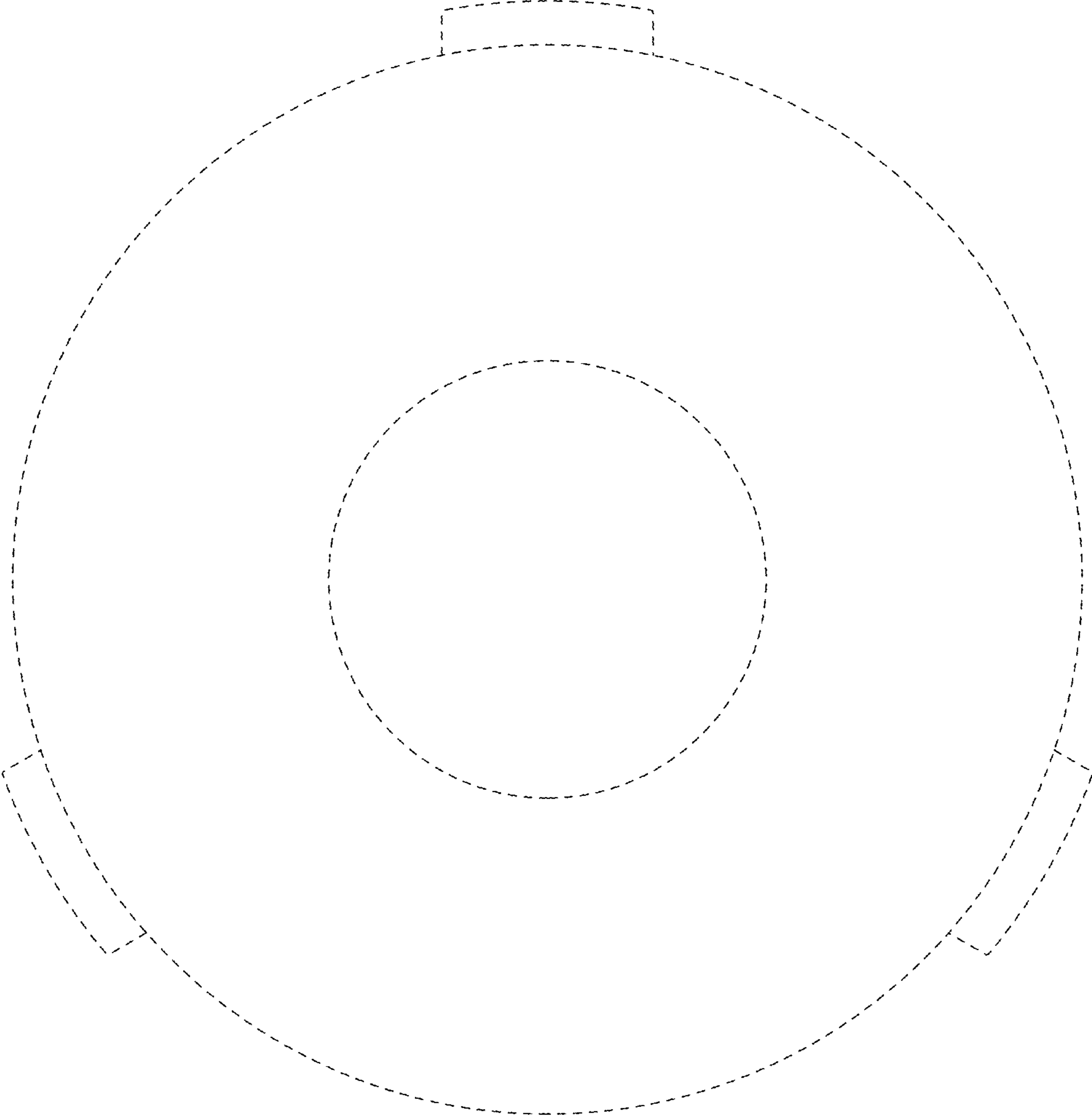


FIG. 8

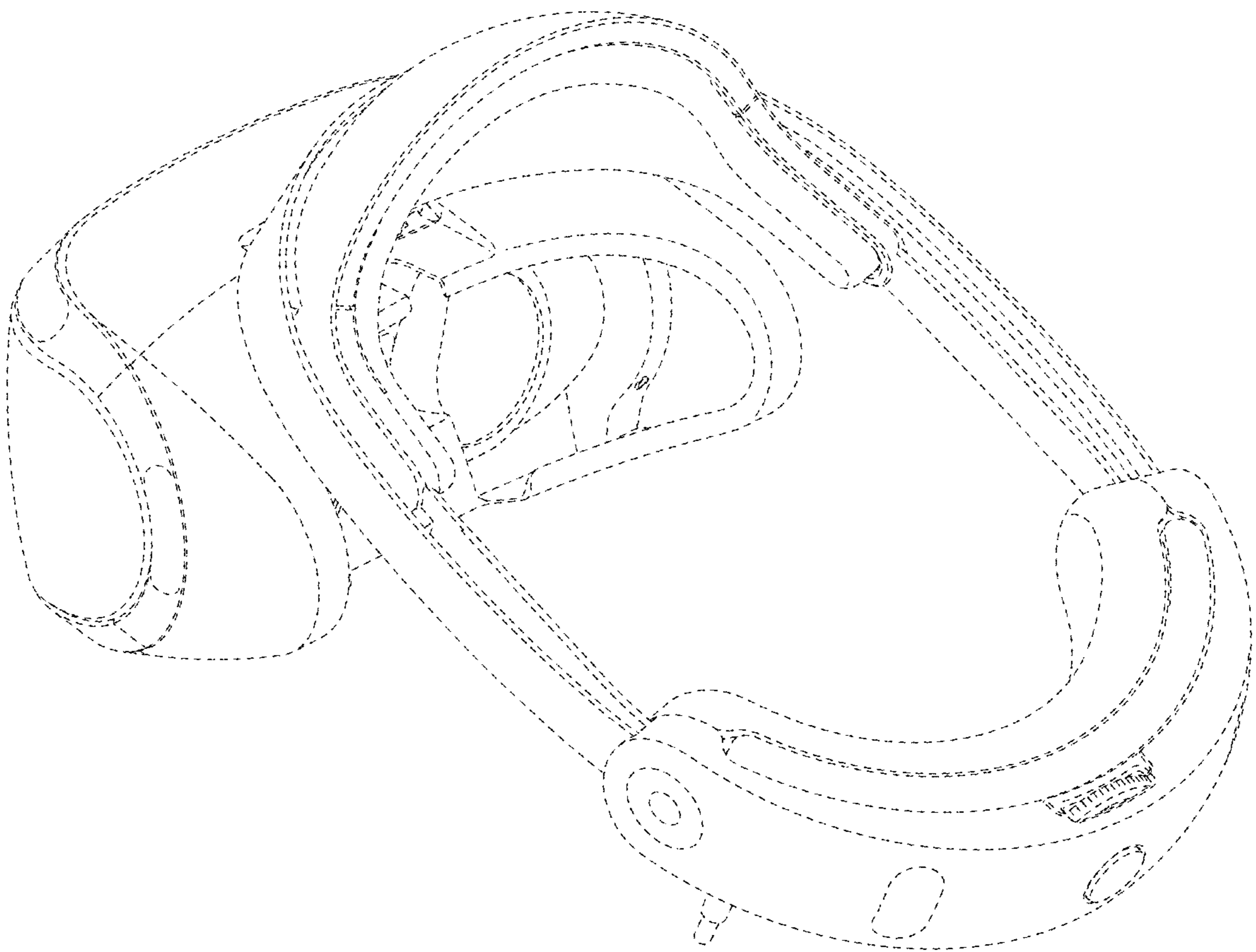


FIG. 9

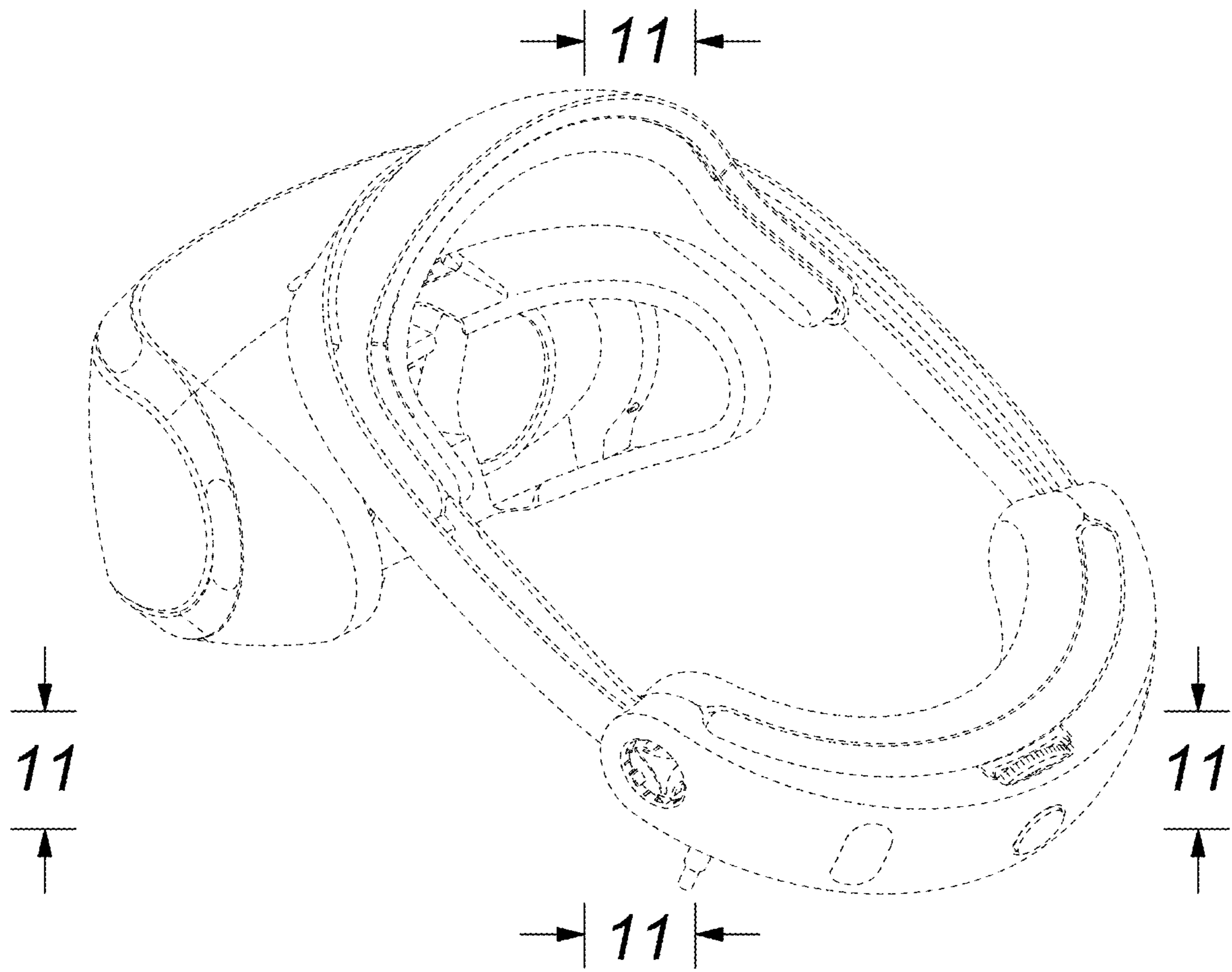


FIG. 10

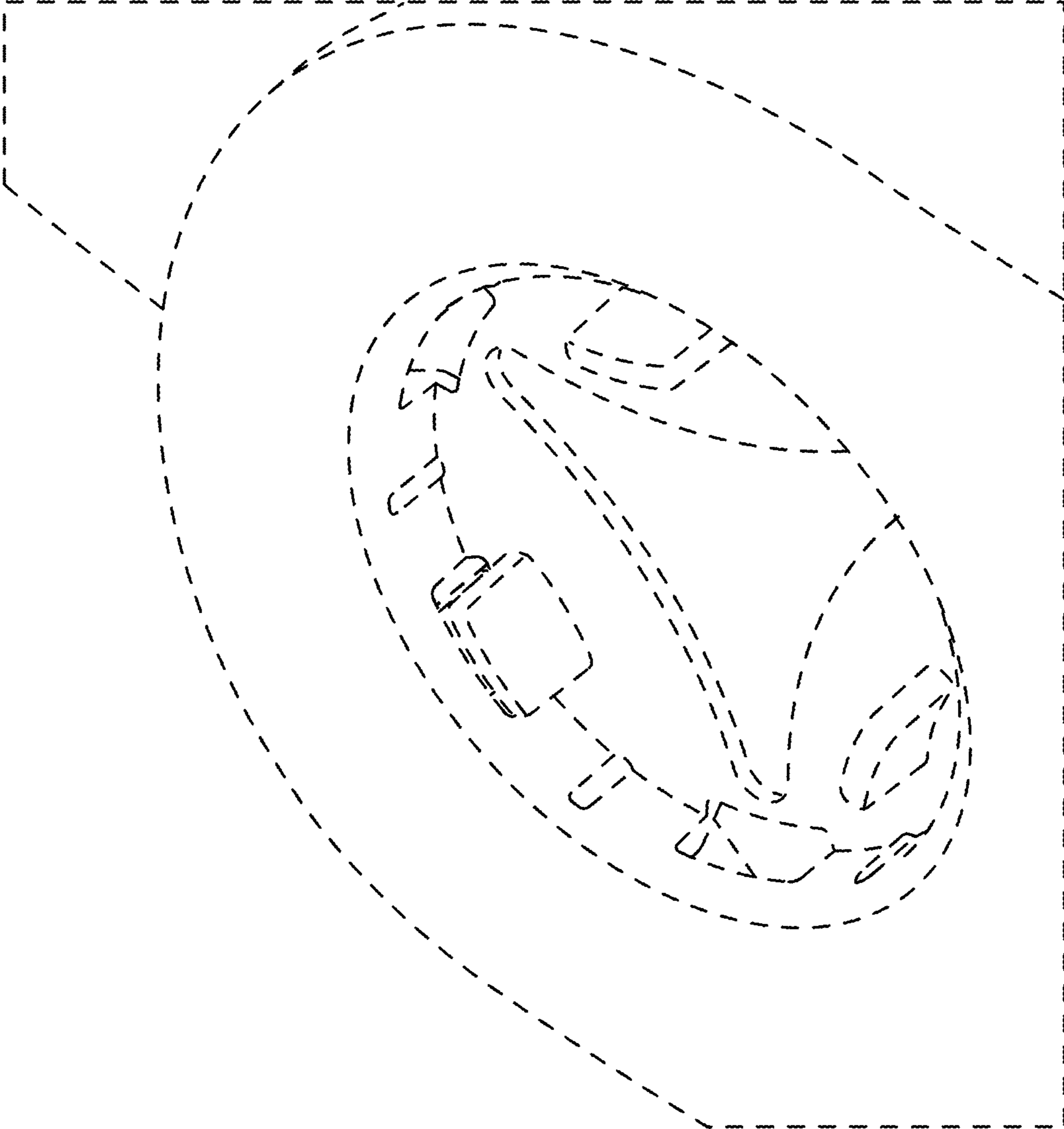


FIG. 11