



US00D870107S

(12) **United States Design Patent**  
**Anzai et al.**

(10) **Patent No.:** **US D870,107 S**

(45) **Date of Patent:** **\*\* Dec. 17, 2019**

(54) **ACCESSORY FOR HEAD-MOUNTED DISPLAY**

(71) Applicant: **SONY INTERACTIVE ENTERTAINMENT INC.**, Tokyo (JP)

(72) Inventors: **Hiroyuki Anzai**, Tokyo (JP); **Takayuki Tateno**, Tokyo (JP)

(73) Assignee: **SONY INTERACTIVE ENTERTAINMENT INC.**, Tokyo (JP)

(\*\*) Term: **15 Years**

(21) Appl. No.: **29/660,753**

(22) Filed: **Aug. 22, 2018**

(30) **Foreign Application Priority Data**

Feb. 23, 2018 (JP) ..... 2018-003788

(51) **LOC (12) Cl.** ..... **14-02**

(52) **U.S. Cl.**  
USPC ..... **D14/372**

(58) **Field of Classification Search**  
USPC ..... D14/372, 496, 432, 371, 125, 126, 129, D14/299; D16/300-342; 351/158, 153, 351/144; 345/7-9, 905; 455/344; 348/115, 53, 121, 739; 492/56; D15/148  
CPC ..... G02B 27/017; G02B 27/0158; G02B 27/0161; G02B 27/0181; G02B 27/0185; G02B 27/0189

See application file for complete search history.

(56) **References Cited**

**U.S. PATENT DOCUMENTS**

D368,481 S \* 4/1996 Ijames ..... D15/5  
D480,026 S \* 9/2003 Reed ..... D12/124  
D487,760 S \* 3/2004 Martin ..... D15/148  
D582,450 S \* 12/2008 Shirataki ..... D15/148  
D595,619 S \* 7/2009 Morrow ..... D12/123

D603,761 S \* 11/2009 Morrow ..... D12/123  
8,292,791 B2 \* 10/2012 Akama ..... G03G 15/0233  
399/286  
D745,517 S \* 12/2015 Kumagai ..... D14/372  
D778,908 S \* 2/2017 Mase ..... D14/372  
D781,290 S \* 3/2017 Kim ..... D14/372  
D787,996 S \* 5/2017 Rode ..... D12/180  
D788,172 S \* 5/2017 Itomi ..... D12/124  
D791,124 S \* 7/2017 Seki ..... D14/372  
9,703,103 B2 \* 7/2017 Araki ..... G09G 5/00  
D812,613 S \* 3/2018 Cafferty ..... D14/372

(Continued)

*Primary Examiner* — Austin Murphy

(74) *Attorney, Agent, or Firm* — Young & Thompson

(57) **CLAIM**

The ornamental design for an accessory for head-mounted display, as shown and described.

**DESCRIPTION**

FIG. 1 is a perspective view of front, top and left side of an accessory for head-mounted display showing our new design;

FIG. 2 is a perspective view of rear, bottom and right side thereof;

FIG. 3 is a front view thereof;

FIG. 4 is a rear view thereof;

FIG. 5 is a left side view thereof;

FIG. 6 is a right side view thereof;

FIG. 7 is a top view thereof;

FIG. 8 is a bottom view thereof;

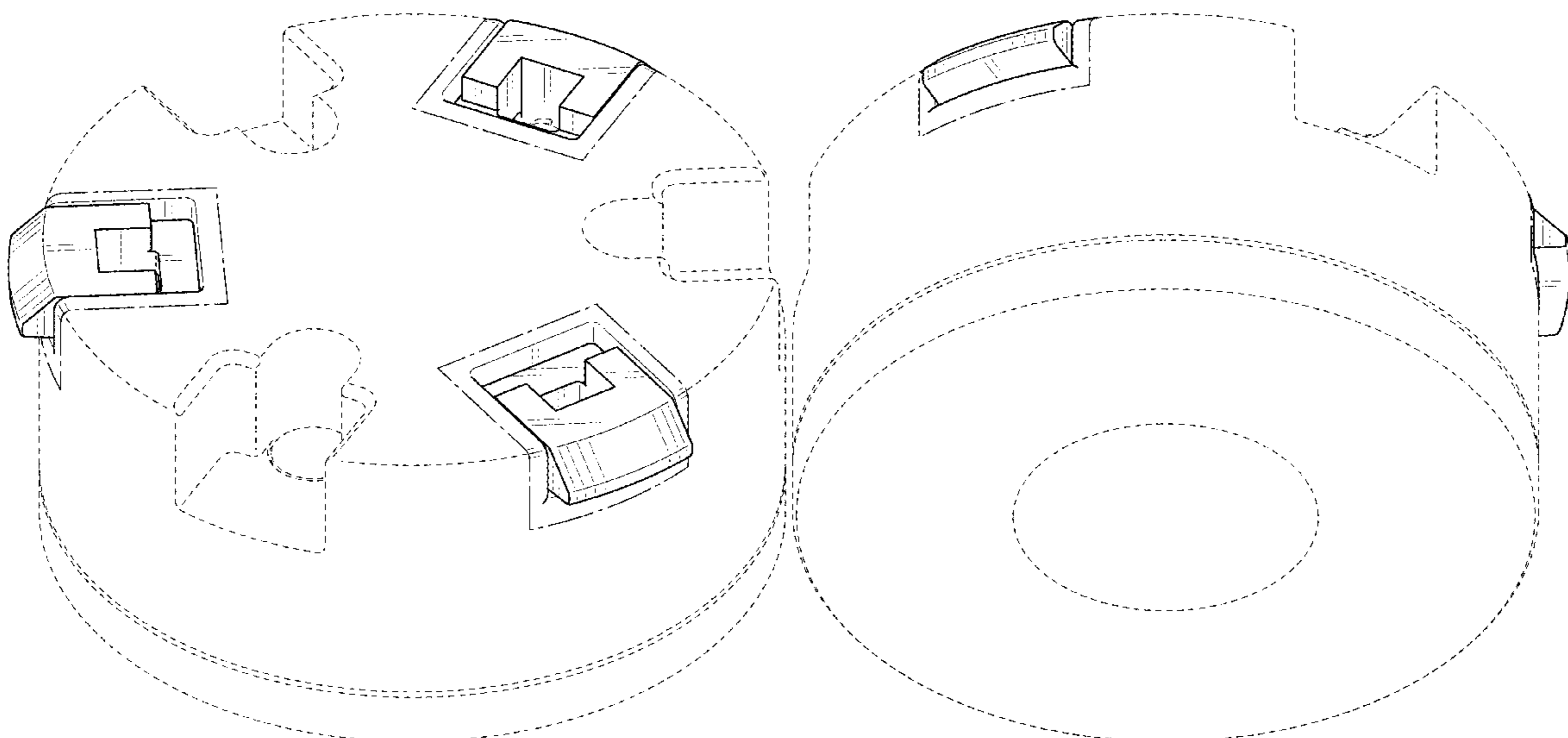
FIG. 9 is a reference view of usage thereof;

FIG. 10 is a reference view with the article removed thereof; and,

FIG. 11 is a reference view showing the partially enlarged portion of FIG. 10 thereof.

The portions of the article in broken lines are shown for illustrative purposes only and form no part of the claimed design. The dot and dashed lines mean a boundary between the claimed portion and the non-claimed portion.

**1 Claim, 9 Drawing Sheets**



(56)

**References Cited**

U.S. PATENT DOCUMENTS

D834,017 S \* 11/2018 Beynel ..... D14/372  
D834,475 S \* 11/2018 Rode ..... D12/180  
D859,402 S \* 9/2019 Eroma ..... D14/372

\* cited by examiner

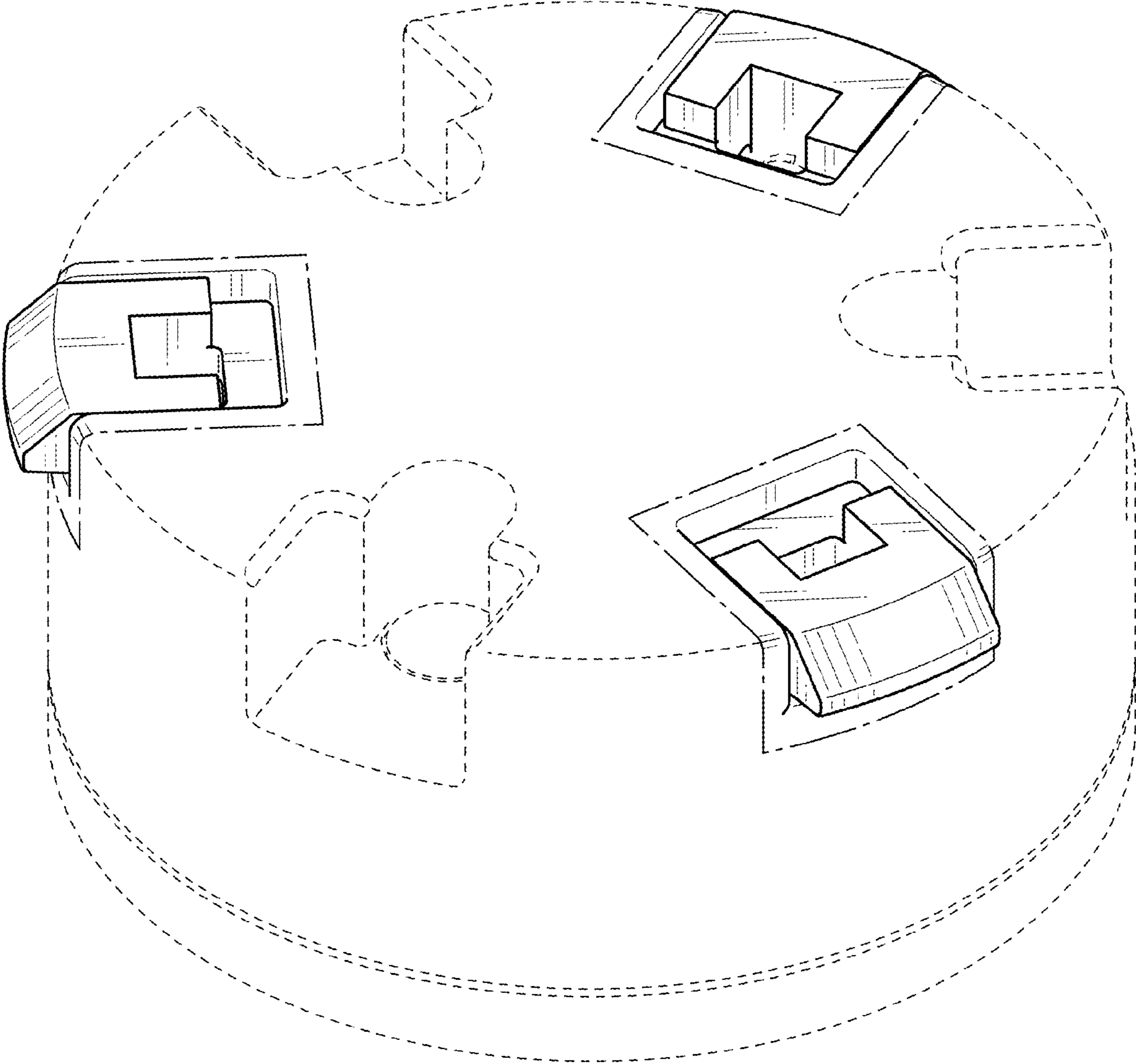


FIG. 1

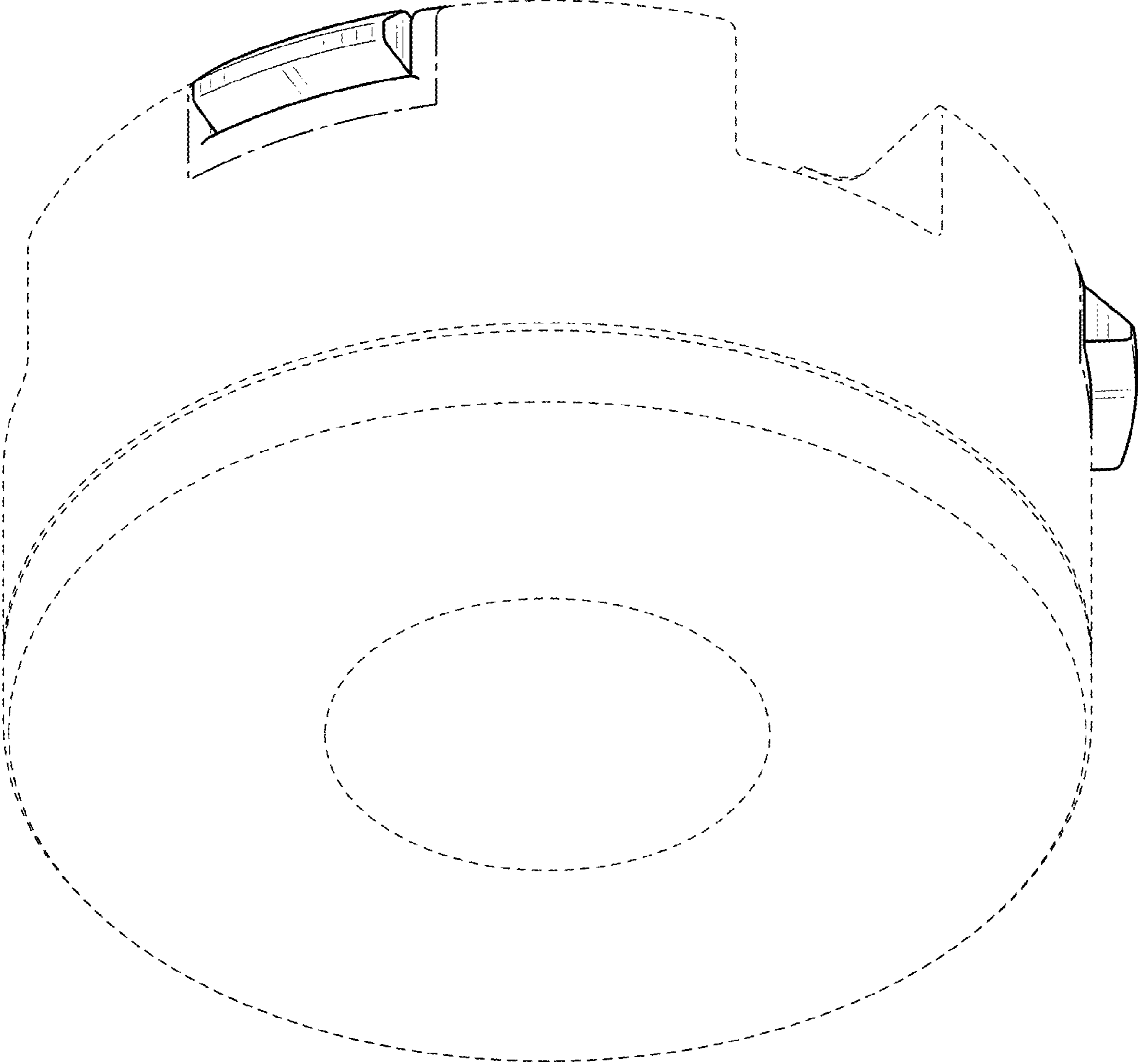
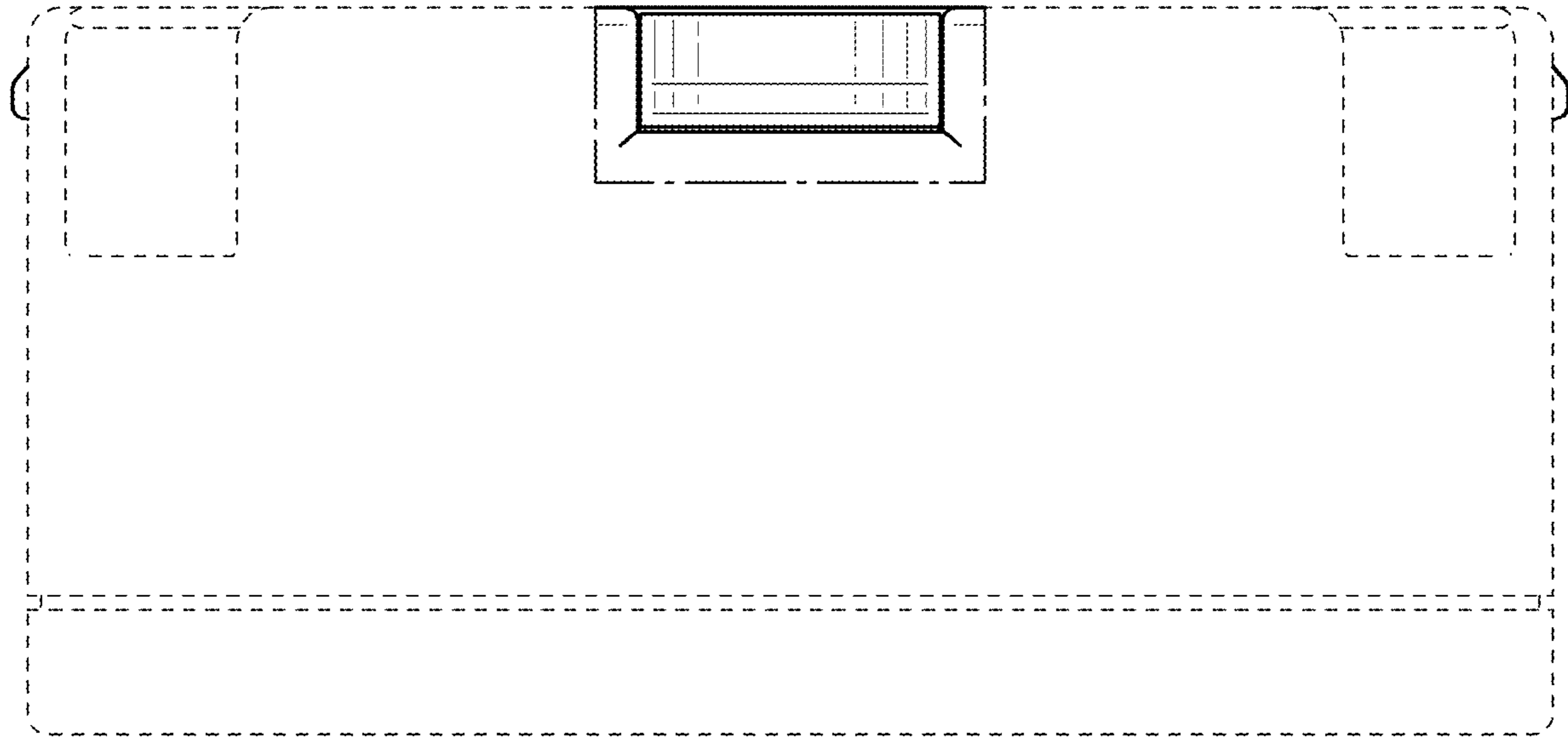
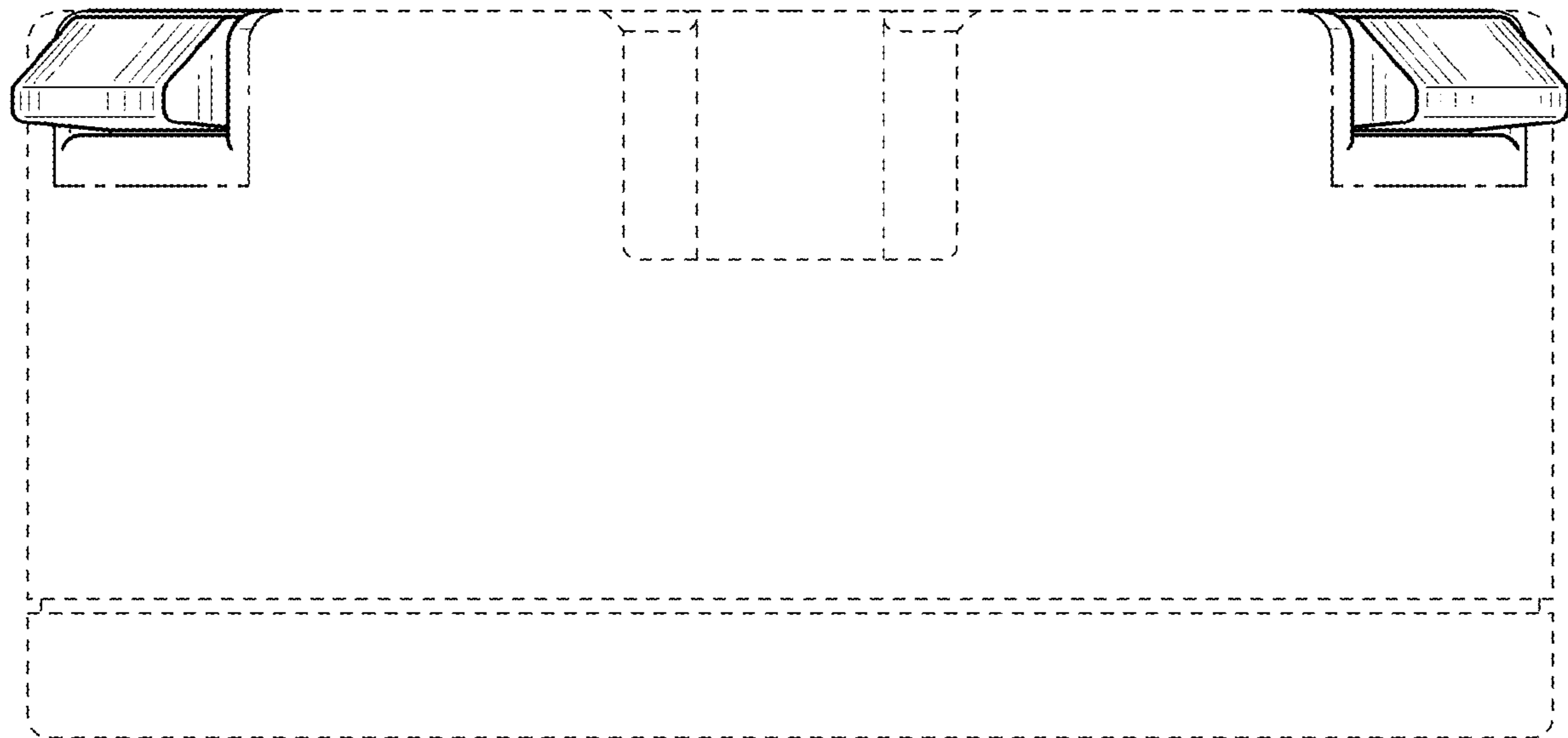


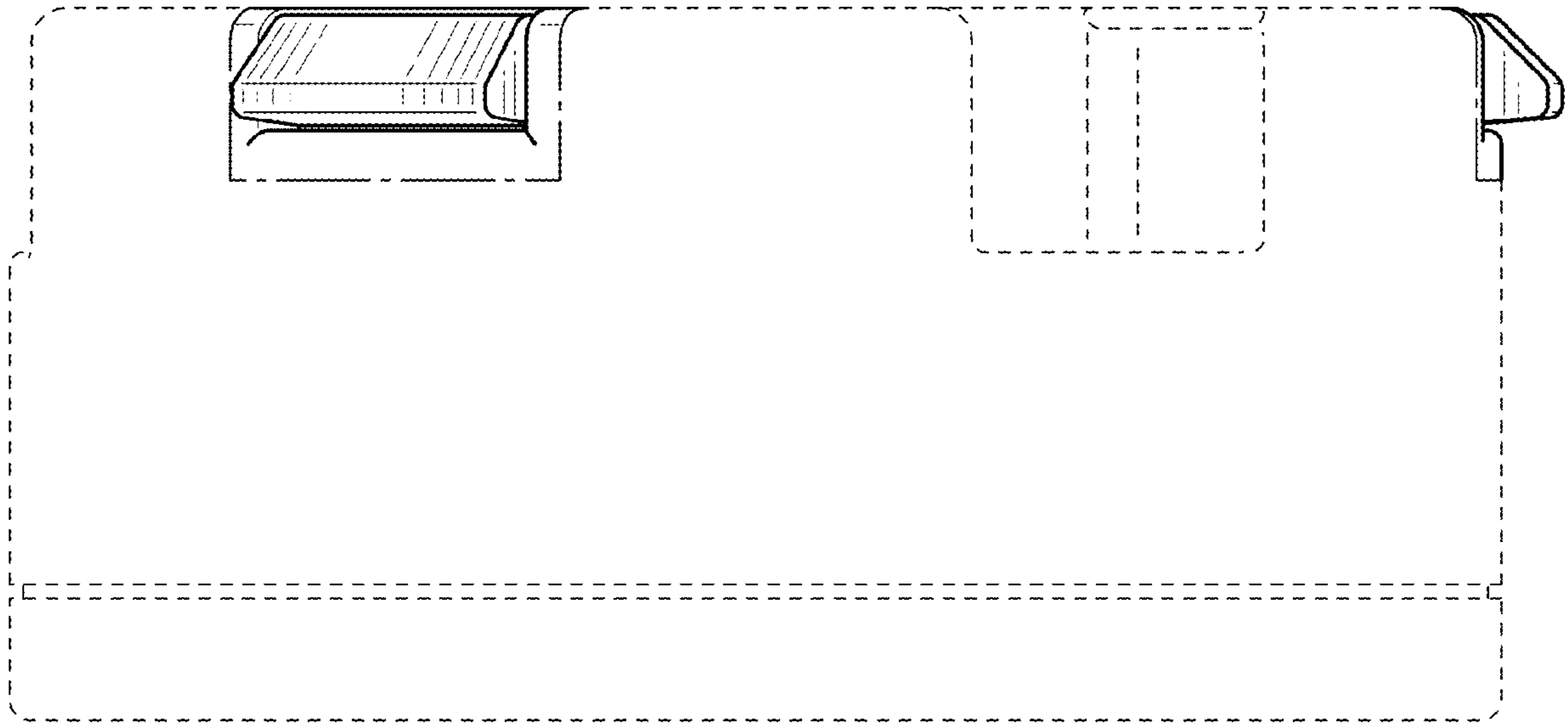
FIG. 2



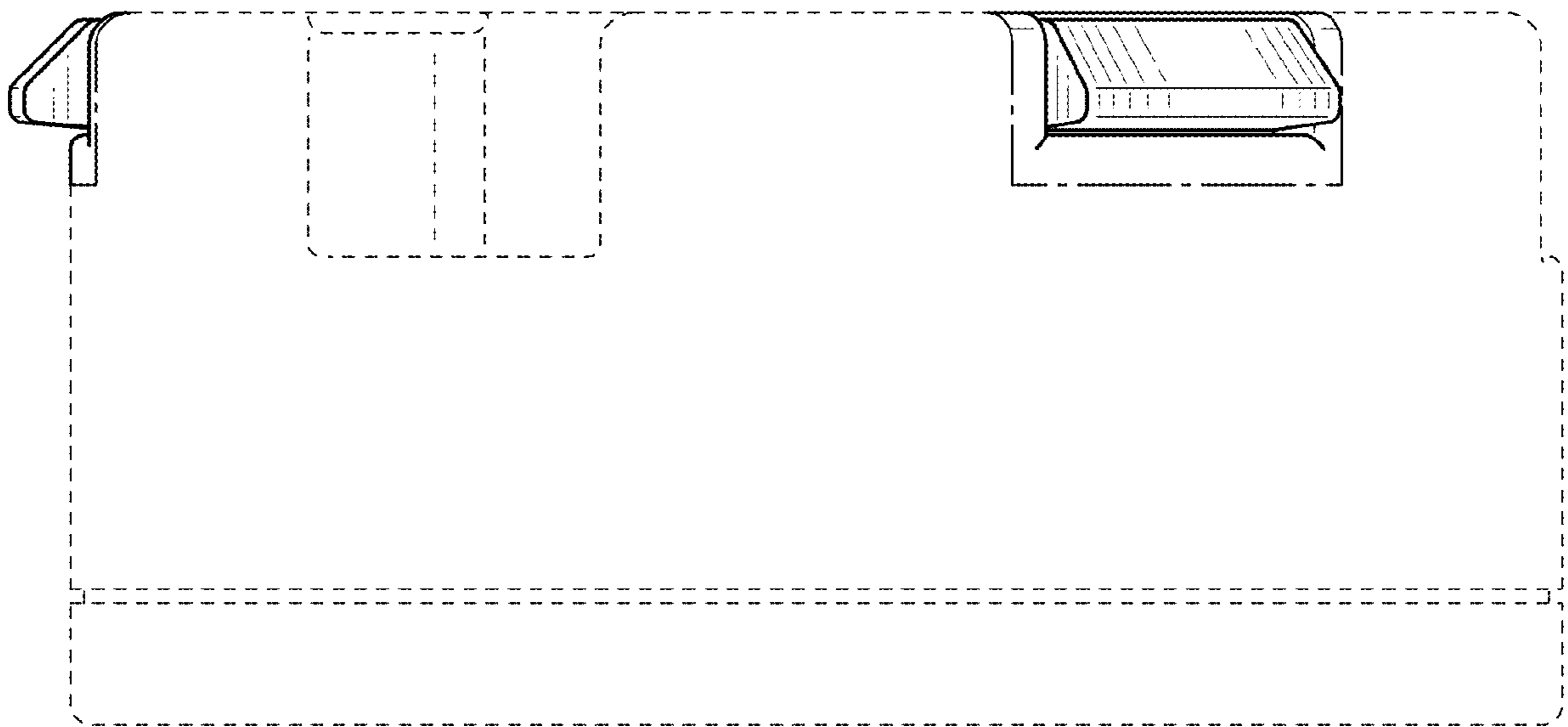
*FIG. 3*



*FIG. 4*



*FIG. 5*



*FIG. 6*

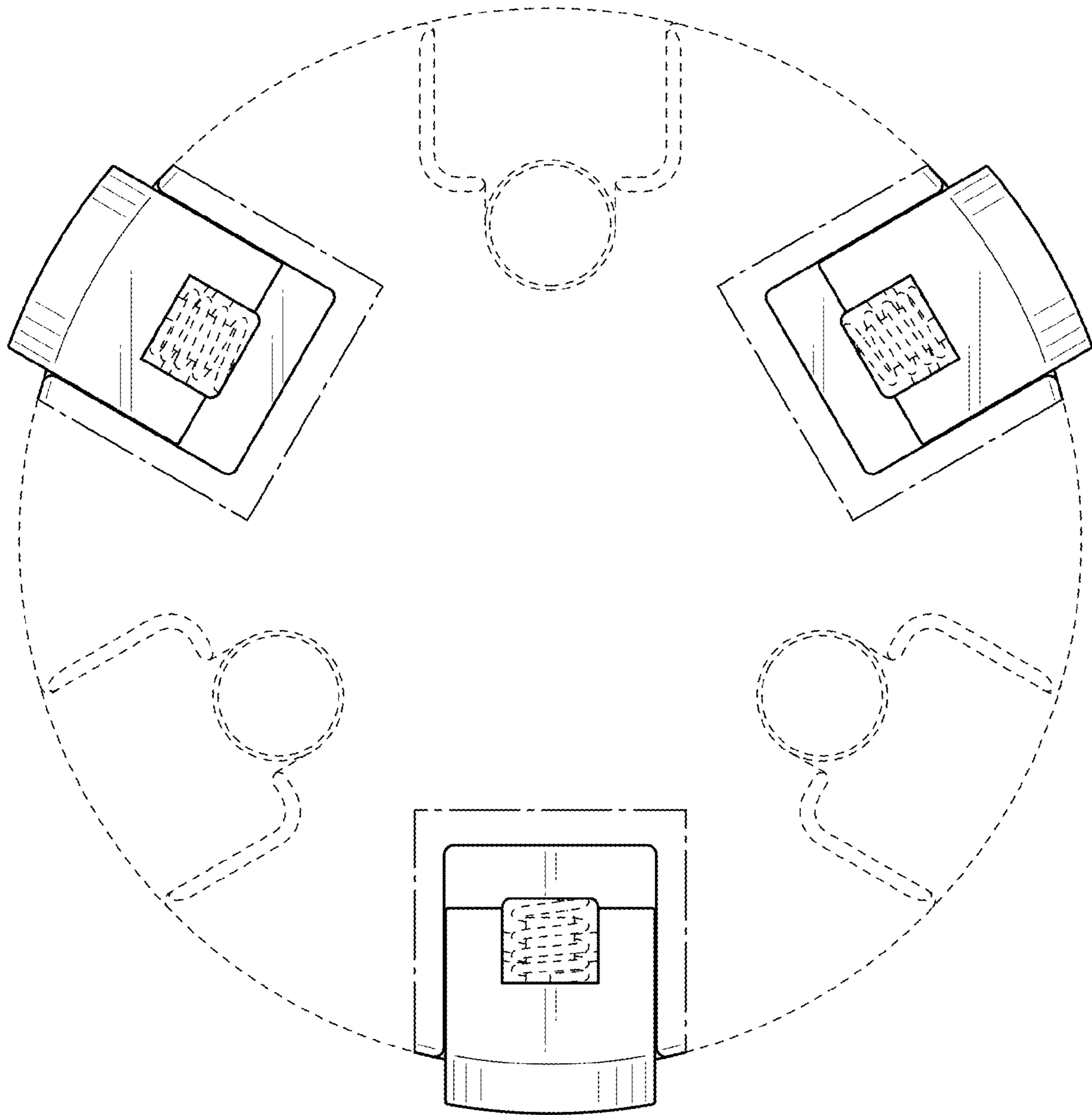


FIG. 7

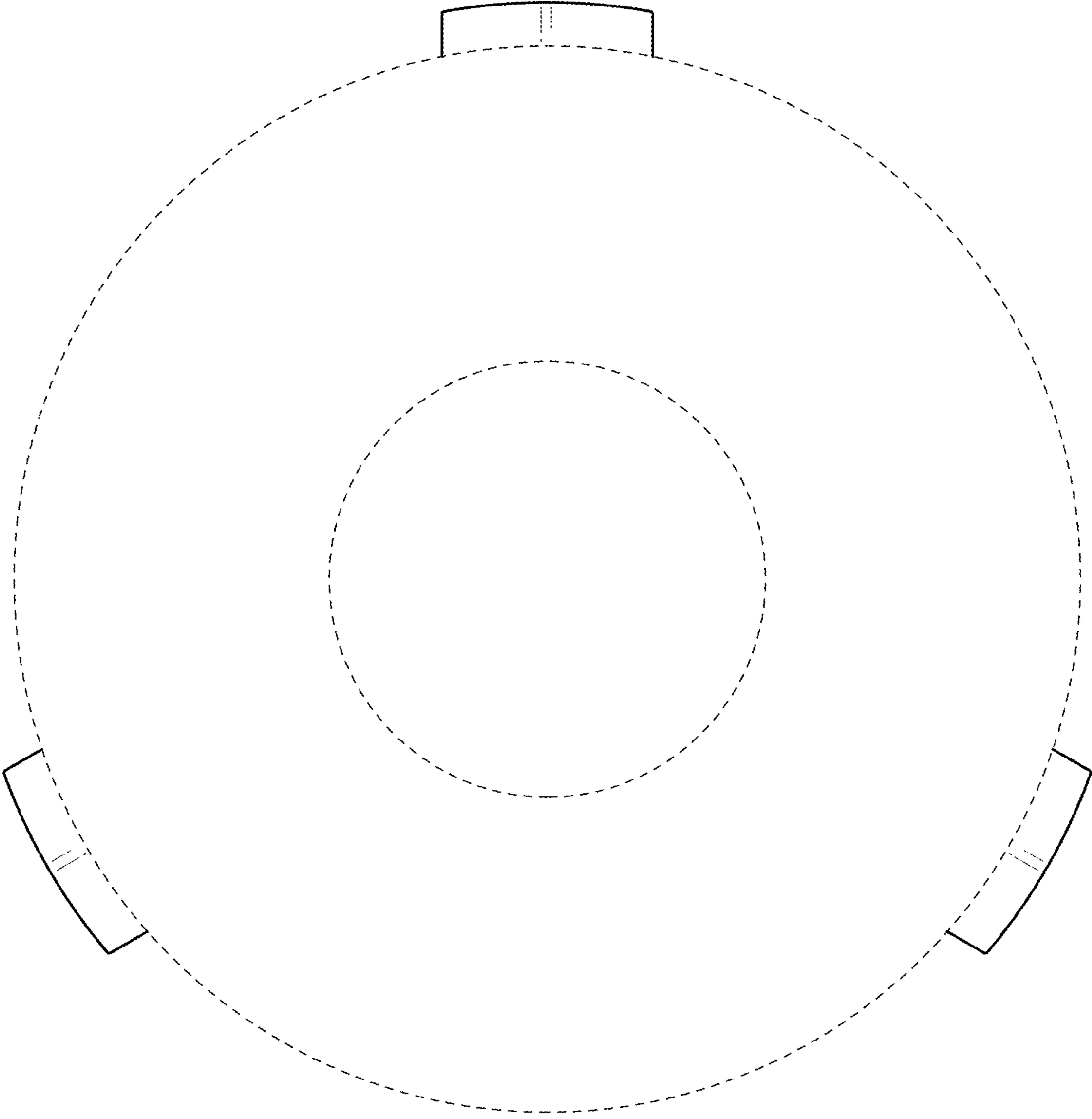
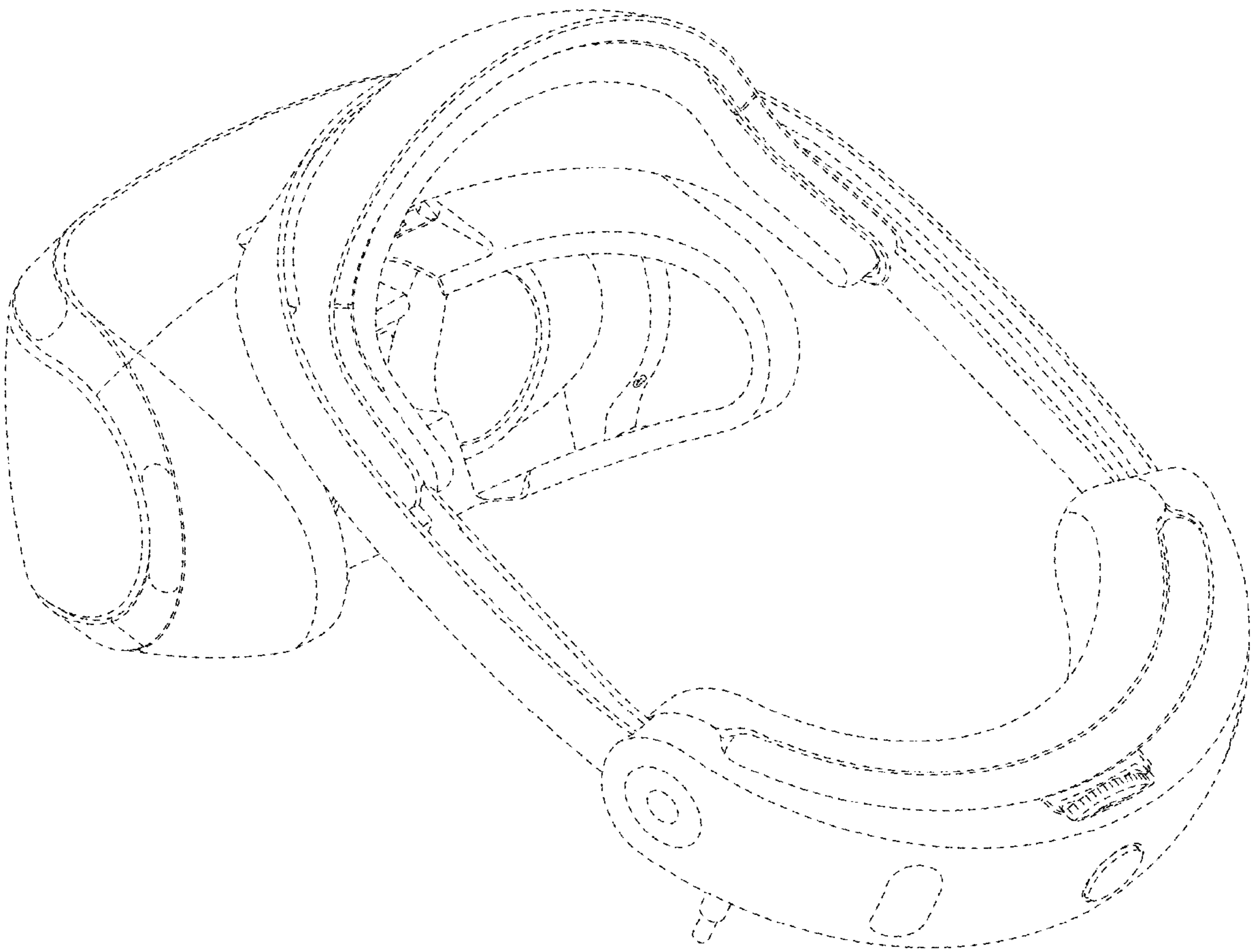


FIG. 8





**FIG. 9**

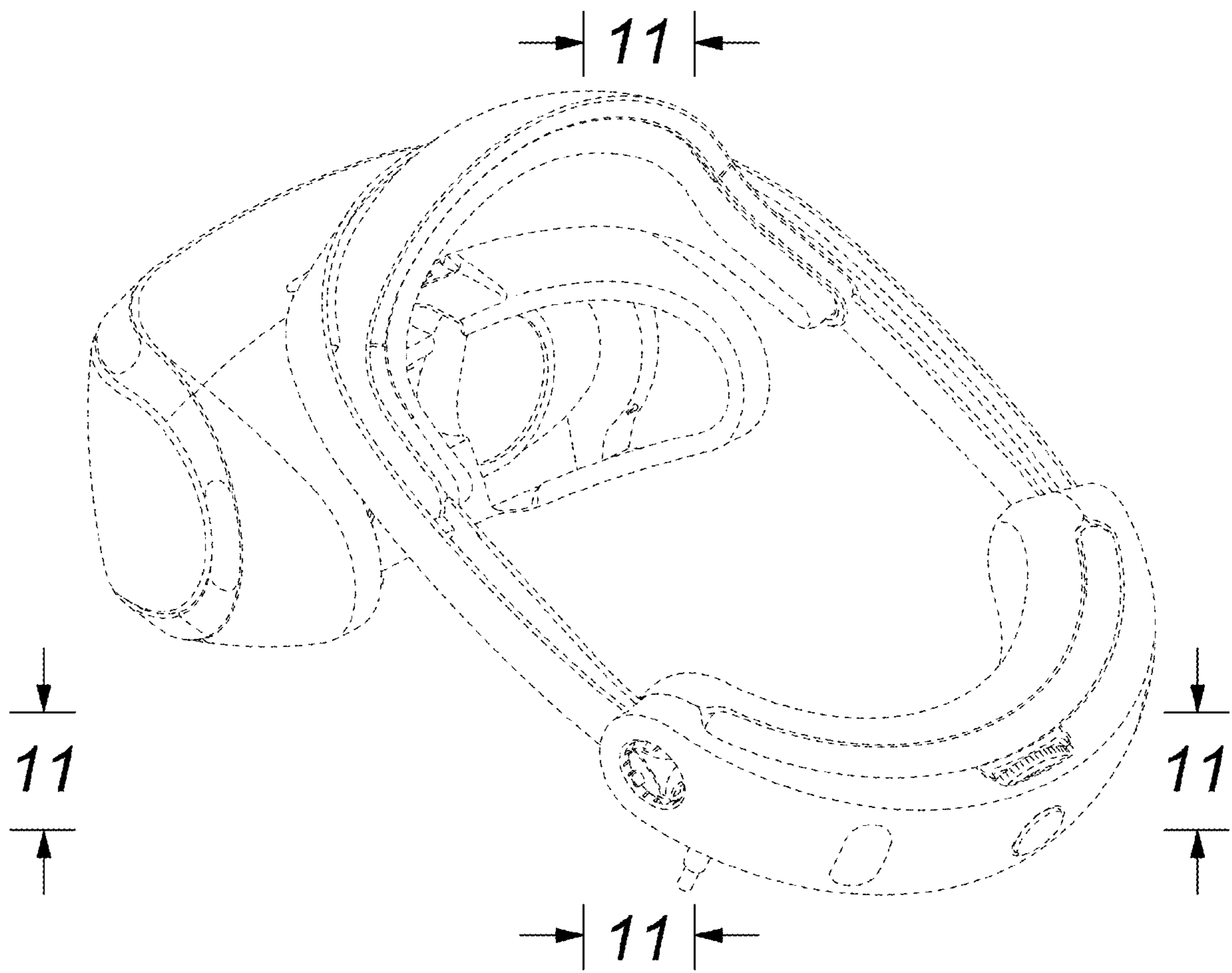
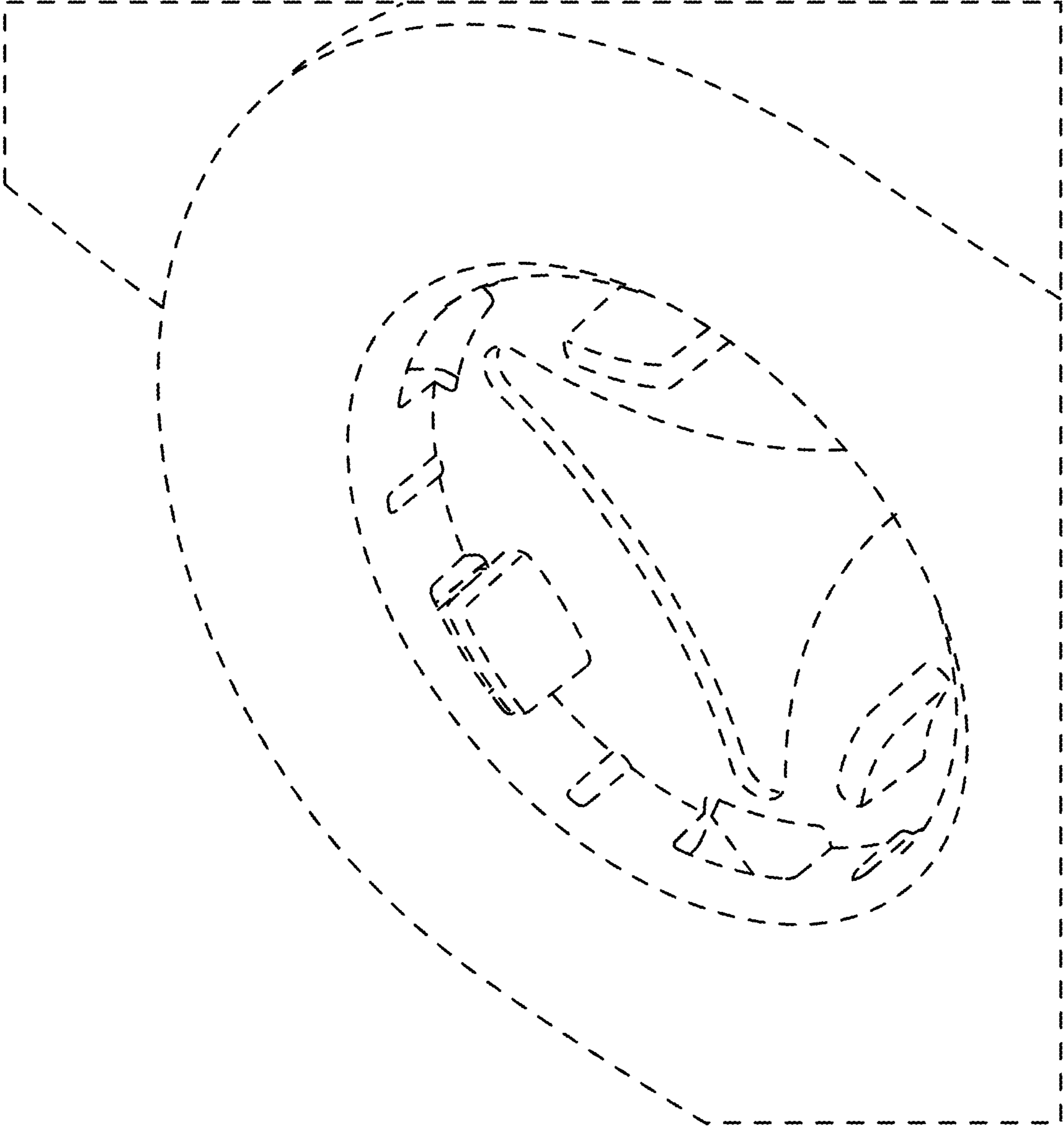


FIG. 10



**FIG. 11**