



US00D870097S

(12) **United States Design Patent** (10) **Patent No.:** **US D870,097 S**
Echeverry et al. (45) **Date of Patent:** **** Dec. 17, 2019**

(54) **SHELF FOR A PORTABLE ELECTRONIC DEVICE**

(71) Applicants: **Jorge Humberto Echeverry**,
Hollywood, FL (US); **Gloria Patricia Hernandez**,
Hollywood, FL (US)

(72) Inventors: **Jorge Humberto Echeverry**,
Hollywood, FL (US); **Gloria Patricia Hernandez**,
Hollywood, FL (US)

(**) Term: **15 Years**

(21) Appl. No.: **29/675,389**

(22) Filed: **Dec. 31, 2018**

(51) **LOC (12) Cl.** **14-03**

(52) **U.S. Cl.**
USPC **D14/253**

(58) **Field of Classification Search**
USPC D14/253, 251, 252, 447, 451, 452, 440,
D14/434, 458, 432, 439, 457, 460, 238.1,
D14/140, 142, 149, 217, 148, 140.8,
D14/140.11, 209.1, 151, 140.9, 250, 238;
D13/107, 108; D12/415, 223, 114, 420,
D12/417, 407, 177; D3/218;
D16/242-245, 250, 237, 203, 214, 219;
D8/349, 373, 380, 381, 353, 354;
D6/675, 672, 673, 675.4, 553, 676, 310,
D6/406.3, 406.4, 406.5, 406.6, 407, 567,
D6/300, 682.3, 574; 248/459, 460, 121,
248/309.1, 124.1
CPC B60R 2011/0008; B60R 11/02; B60R
11/0241; B60R 11/0258; B60R 11/0252;
B60R 2011/0294; F16M 11/00; F16M
11/04; F16M 11/041; F16M 11/02; F16M
11/06; F16M 13/00; H04M 1/02; H04M
1/04; H04M 1/11; H04M 1/12; A47F
7/022; B62J 11/00; H05K 7/00; G03B
17/56

See application file for complete search history.

(56) **References Cited**

U.S. PATENT DOCUMENTS

1,807,517	A	*	5/1931	Erlendson	A47B 97/00 248/300
D250,391	S	*	11/1978	France	D25/61
D254,069	S	*	1/1980	Haley	D14/253
D277,819	S	*	3/1985	Crosslen	D6/555
D279,674	S	*	7/1985	Harley	D14/251
D288,171	S	*	2/1987	Dey	D8/366
D310,478	S	*	9/1990	Lang	D8/373
D312,185	S	*	11/1990	Prater, Sr.	D6/567
D312,961	S	*	12/1990	Evenson	D8/367
D338,664	S	*	8/1993	Goff	D14/447
D375,038	S	*	10/1996	Trevorrow	D8/354
D498,664	S	*	11/2004	Gates	D8/381
D520,794	S	*	5/2006	Grover	D6/567
D542,568	S	*	5/2007	Clark	D6/406.6
D549,175	S	*	8/2007	Slasinski	D13/137.1
D560,115	S	*	1/2008	Peyridieu	D8/373
D576,472	S	*	9/2008	Gaiardo	D8/354
D594,261	S	*	6/2009	Maxwell	D6/574
D621,692	S	*	8/2010	Clarke	D8/354
D624,950	S	*	10/2010	Hall, Jr.	D16/237
D628,539	S	*	12/2010	Tezak	D13/152
D686,609	S	*	7/2013	Kadivar	D14/253
D689,045	S	*	9/2013	Mardas	D14/253
D701,857	S	*	4/2014	Ding	D14/253
D722,963	S	*	2/2015	Au-Yeung	D13/108

(Continued)

Primary Examiner — Janice Hallmark

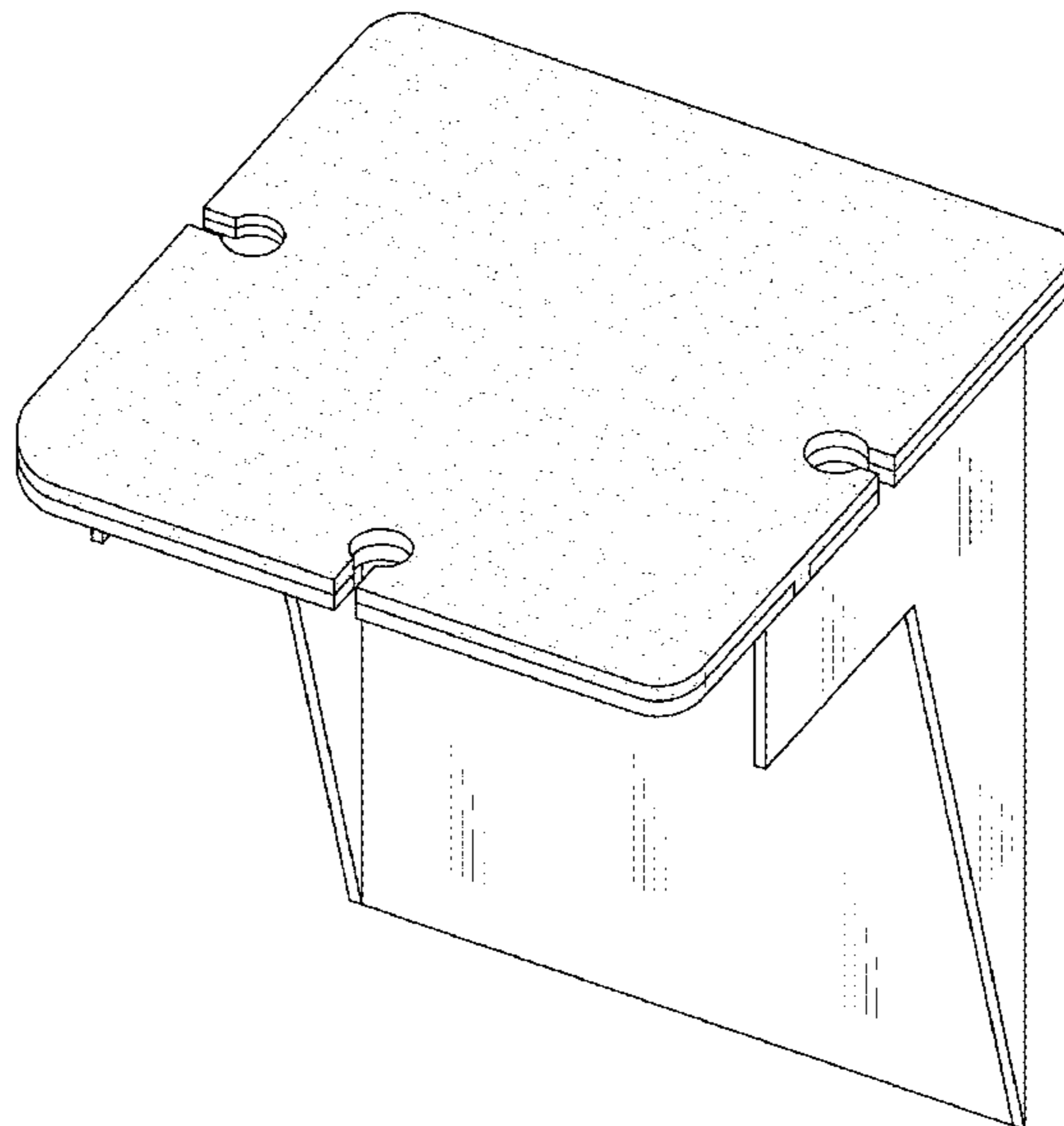
(57) **CLAIM**

The ornamental design for a shelf for a portable electronic device.

DESCRIPTION

FIG. 1 is a perspective view of the shelf for a portable electronic device showing my new design. FIG. 2 is a side view thereof; and, FIG. 3 is a top plan view thereof.

1 Claim, 3 Drawing Sheets



(56)

References Cited

U.S. PATENT DOCUMENTS

D730,719	S *	6/2015	Sundberg	D8/354
D730,914	S *	6/2015	Park	D14/447
9,124,105	B2 *	9/2015	Gunderman	H02J 7/0044
9,249,924	B1 *	2/2016	Martin	F16M 13/02
D782,845	S *	4/2017	Golembieski	D6/574
2008/0272258	A1 *	11/2008	Wysoczynski	F16M 13/00 248/309.1
2011/0132634	A1 *	6/2011	Fetzer-Westmeister	H02G 3/14 174/66
2016/0142523	A1 *	5/2016	Bartkowski	H04M 1/04 248/441.1

* cited by examiner

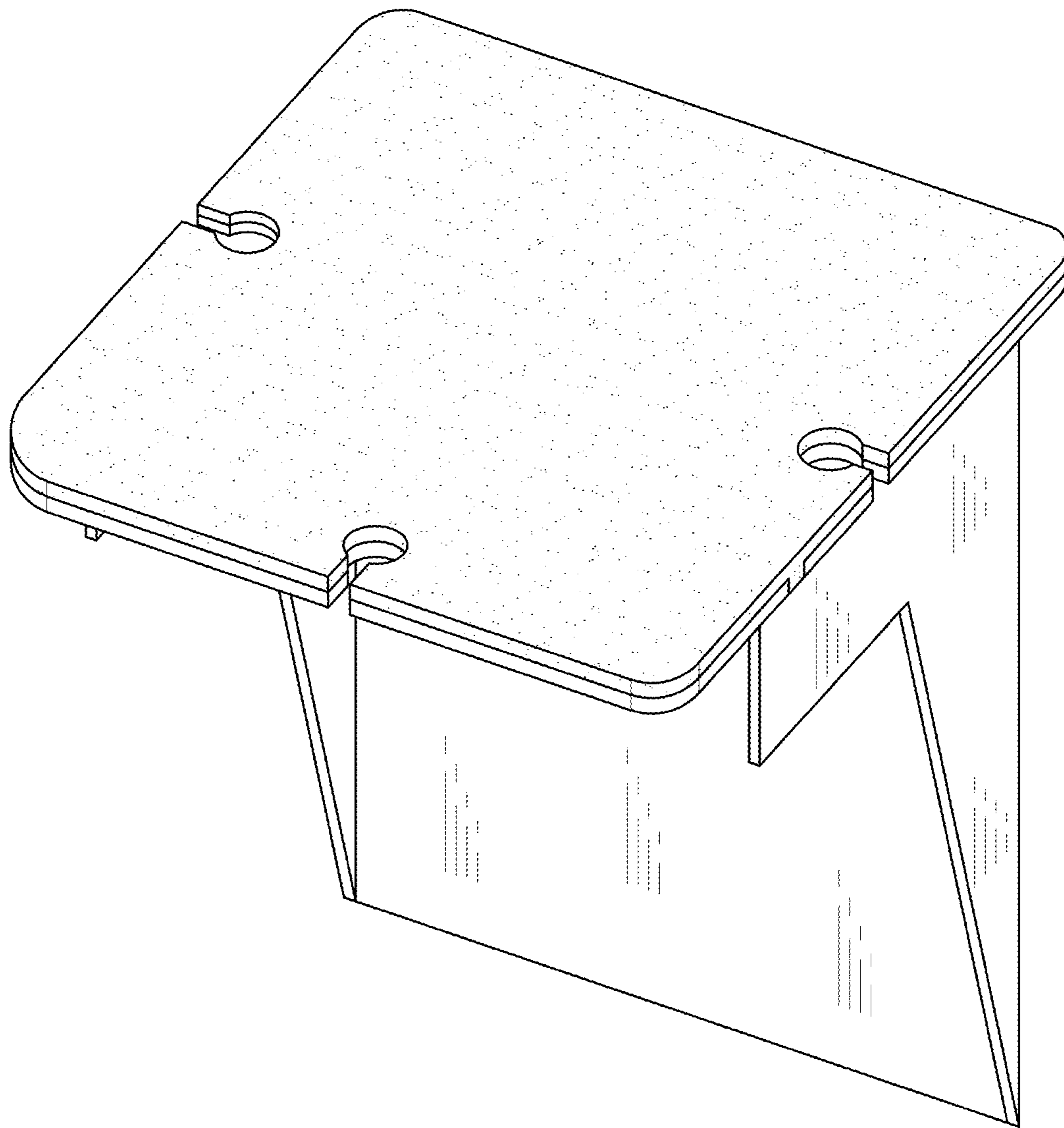


FIG. 1

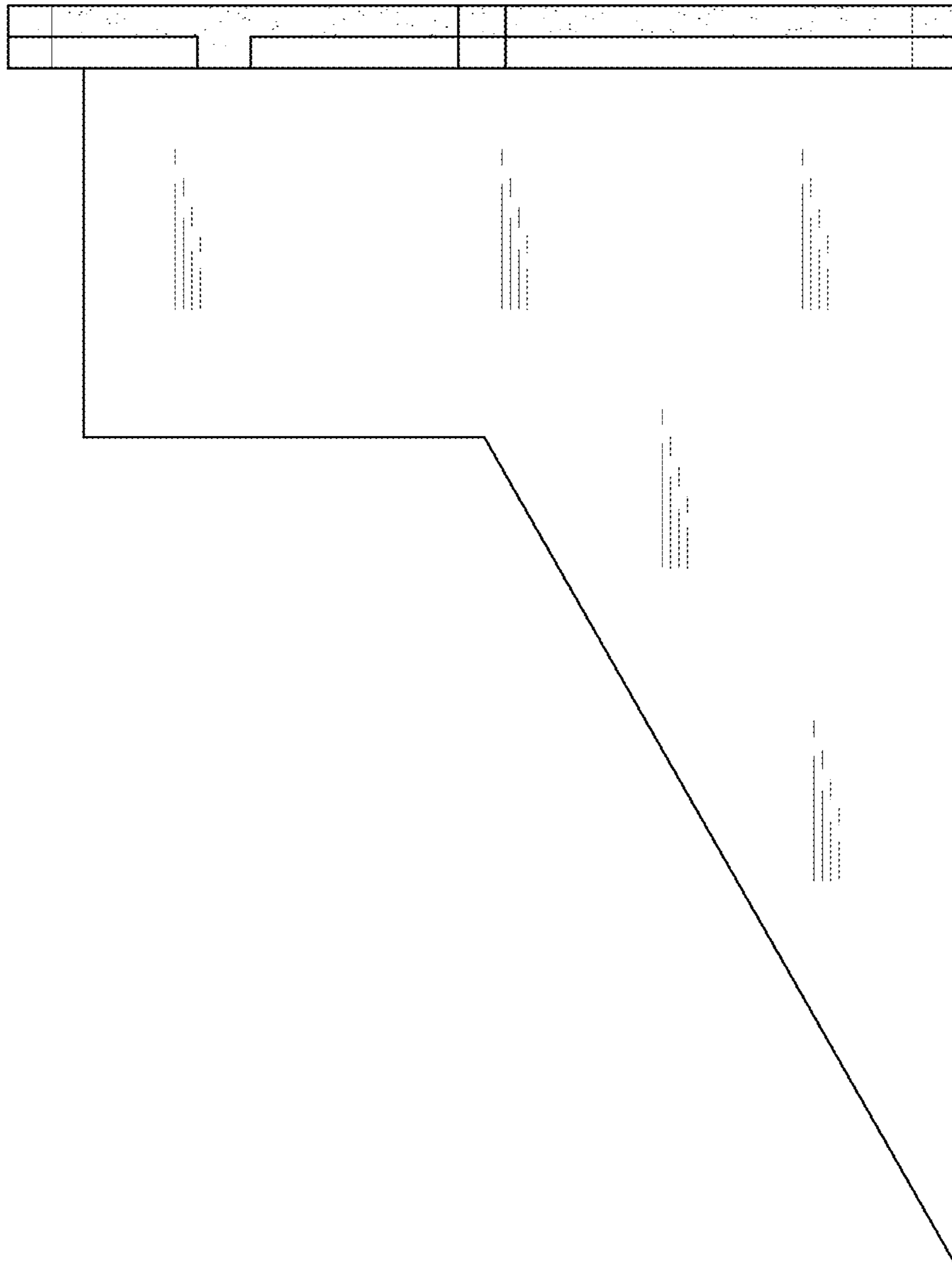


FIG. 2

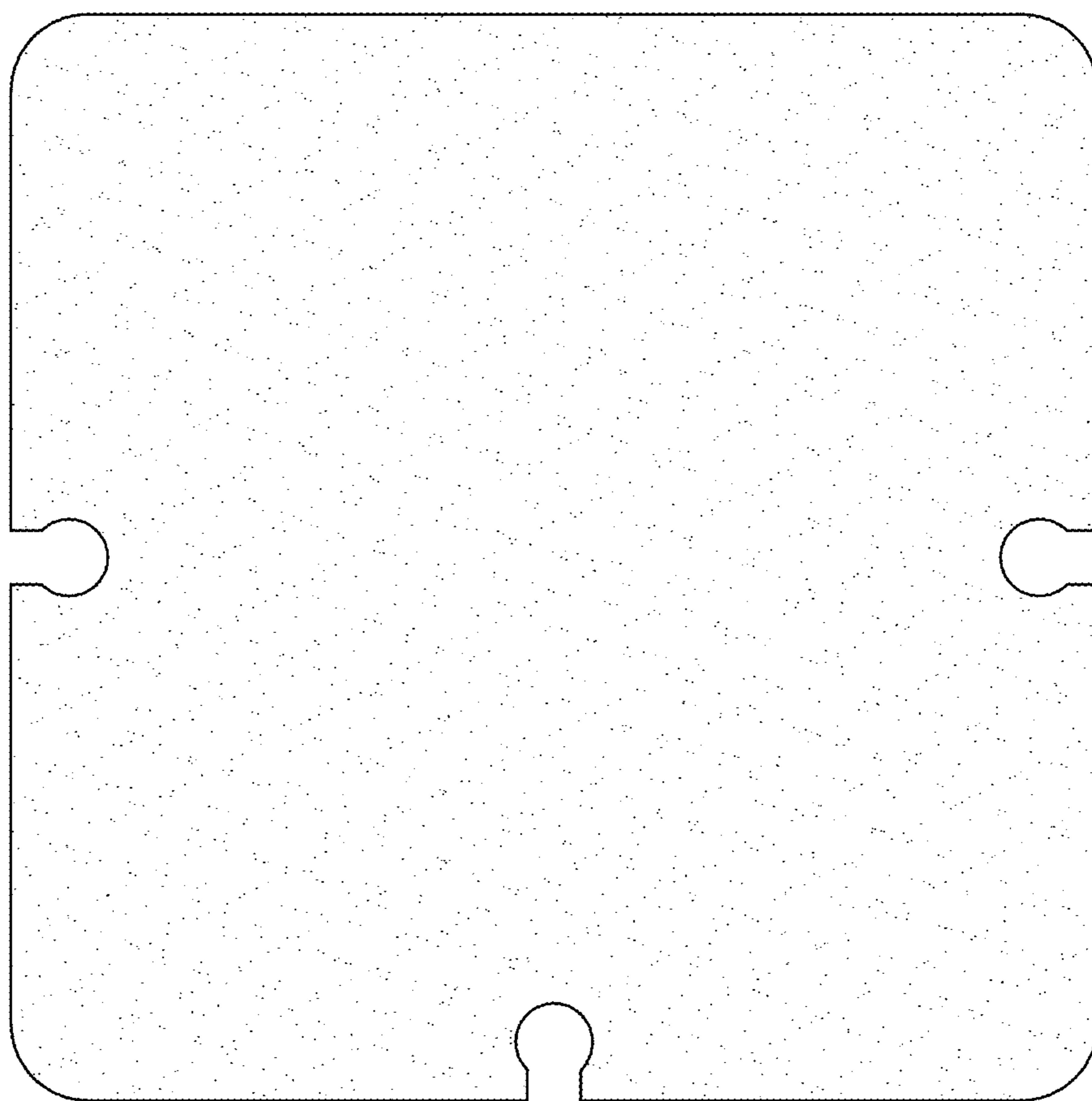


FIG. 3