



US00D870096S

(12) **United States Design Patent** (10) **Patent No.:** **US D870,096 S**
McSweyn (45) **Date of Patent:** **** Dec. 17, 2019**

(54) **DESK ATTACHMENT FOR MAGNETIC DEVICE MOUNT**

FOREIGN PATENT DOCUMENTS

(71) Applicant: **Scosche Industries, Inc.**, Oxnard, CA (US)

CN 201113495 9/2008
CN 202042680 11/2011

(Continued)

(72) Inventor: **Christopher Michael McSweyn**, Oxnard, CA (US)

OTHER PUBLICATIONS

(73) Assignee: **Scosche Industries, Inc.**, Oxnard, CA (US)

The Original iMAGNET Cradle-Less Universal Car Phone Windshield Dashboard Mount Holder for iPhone 6, 6 Plus, 6S, 6S Plus, 5S 5, Galaxy S6 S5, Note 5 4 3, With Official iMagnet Logo, iMagnet, Amazon.com, Aug. 19, 2012.

(**) Term: **15 Years**

(Continued)

(21) Appl. No.: **29/669,653**

Primary Examiner — Janice Hallmark

(22) Filed: **Nov. 9, 2018**

(74) *Attorney, Agent, or Firm* — Stetina Brunda Garred & Brucker

Related U.S. Application Data

(63) Continuation of application No. 29/623,424, filed on Oct. 25, 2017.

(51) **LOC (12) Cl.** **03-01**

(52) **U.S. Cl.**
USPC **D14/253**

(58) **Field of Classification Search**
USPC D14/251–253, 358, 432, 434, 440, 447;
D3/218; D16/242, 243; D12/415;
D13/107, 108

CPC A45C 11/00; A45F 5/00; F16M 11/06
See application file for complete search history.

(56) **References Cited**

U.S. PATENT DOCUMENTS

3,329,277 A 7/1967 Gaudino
3,642,122 A 2/1972 Ende
D306,396 S 3/1990 Brushaber
D317,697 S 6/1991 Lage
D327,840 S 7/1992 Askew
5,213,240 A 5/1993 Dietz et al.
D362,230 S 9/1995 Yokozawa
D362,657 S 9/1995 Tomikawa et al.

(Continued)

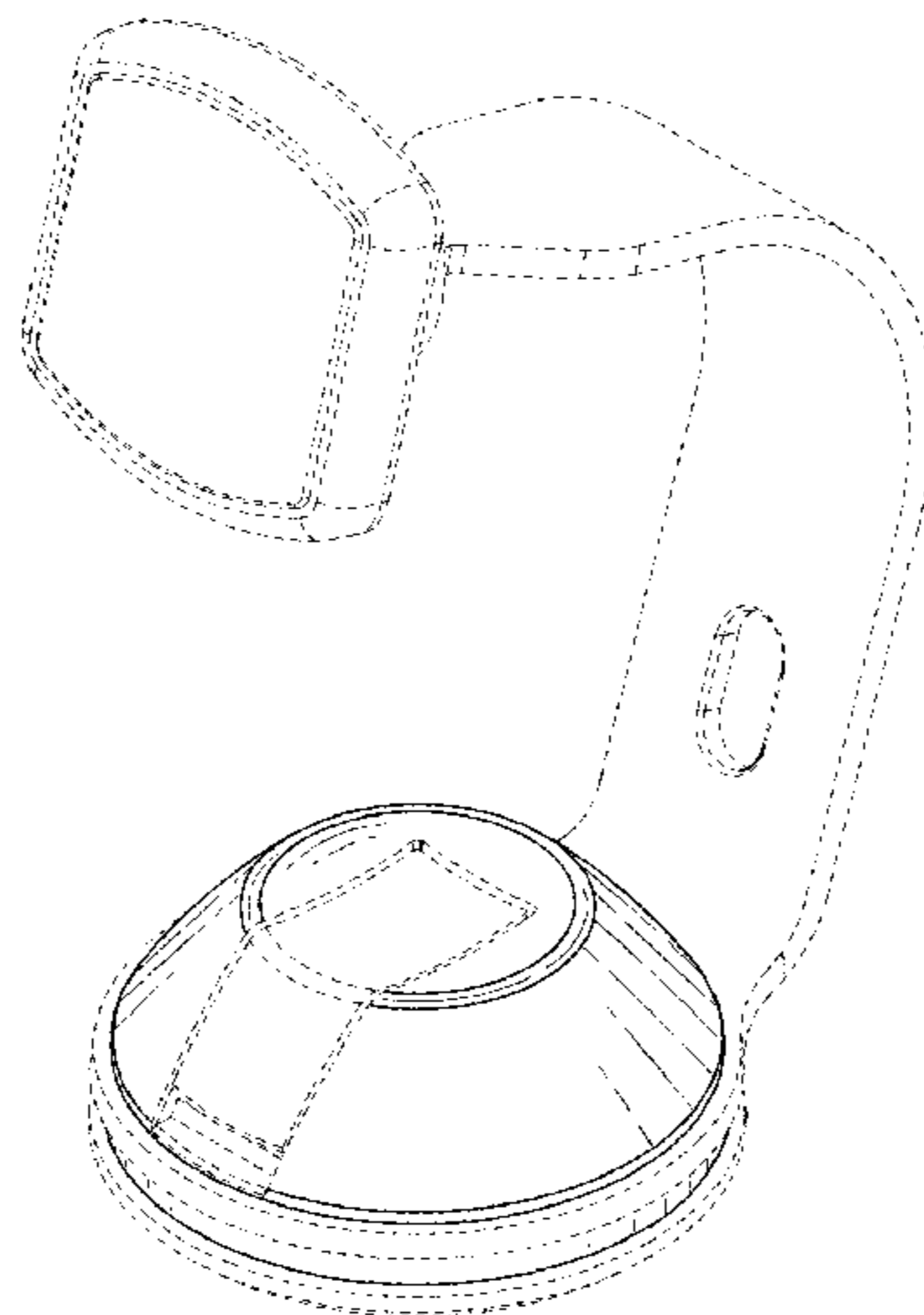
(57) **CLAIM**

The ornamental design for a desk attachment for magnetic device mount, as shown and described.

DESCRIPTION

FIG. 1 is a front perspective view showing the desk attachment for magnetic device mount of the present invention; FIG. 2 is a rear perspective view thereof; FIG. 3 is a top plan view thereof; FIG. 4 is a left side view thereof; FIG. 5 is a front view thereof; FIG. 6 is right side view thereof; FIG. 7 is a rear view thereof; and, FIG. 8 is a bottom plan view thereof. In the drawings, the broken line showings are for the purpose of illustrating portions of a desk attachment for magnetic device mount or environmental structure and form no part of the claimed design.

1 Claim, 3 Drawing Sheets



(56)

References Cited

U.S. PATENT DOCUMENTS

D398,796 S 9/1998 Fauchald
 5,992,807 A 11/1999 Tarulli
 6,075,499 A 6/2000 Edwards et al.
 6,076,790 A 6/2000 Richter
 6,135,408 A 10/2000 Richter
 6,149,116 A 11/2000 Won
 6,305,656 B1 10/2001 Wemyss
 6,382,482 B1 5/2002 Chao
 6,502,727 B1 1/2003 Decoteau
 D479,196 S 9/2003 Shih
 D489,578 S 5/2004 Lai
 6,888,940 B1 5/2005 Deppen
 7,021,593 B1 4/2006 Fan
 D521,850 S 5/2006 Richter et al.
 D530,333 S 10/2006 Richter
 D543,439 S 5/2007 Brassard
 D551,058 S 9/2007 Carnevali
 D552,454 S 10/2007 Fynn
 D553,959 S 10/2007 Brassard
 D554,042 S 10/2007 Richter
 D554,491 S 11/2007 Stenberg et al.
 7,296,771 B2 11/2007 Kalis et al.
 D560,592 S 1/2008 Brassard
 D563,309 S 3/2008 Richter
 D565,937 S 4/2008 Tsai
 7,374,142 B2 5/2008 Carnevali
 D570,836 S 6/2008 Chen
 D576,865 S 9/2008 Chiang et al.
 7,431,251 B2 10/2008 Carnevali
 D588,903 S 3/2009 Carnevali
 D590,835 S 4/2009 Richter
 D592,205 S 5/2009 O'Brien
 D600,991 S 9/2009 Lai
 D603,322 S 11/2009 Nicieja
 D604,722 S 11/2009 Mistry
 D609,644 S 2/2010 Lin
 D609,695 S 2/2010 Cigliano
 D618,221 S 6/2010 Fahrendorff
 D638,008 S 5/2011 Richter
 D640,242 S 6/2011 Fahrendorff
 8,016,255 B2 9/2011 Lin
 D654,874 S 2/2012 Au
 D656,128 S 3/2012 Park
 D656,465 S 3/2012 Au
 D656,899 S 4/2012 Webb et al.
 D657,781 S 4/2012 Yang
 D670,157 S 11/2012 Mo
 D671,074 S 11/2012 Hori et al.
 D677,709 S 3/2013 Skeoch et al.
 D680,541 S * 4/2013 Lee D14/217
 D681,867 S 5/2013 Wegger et al.
 D686,595 S 7/2013 Andre et al.
 8,496,222 B2 7/2013 Li
 D687,441 S 8/2013 Janzen
 D692,898 S * 11/2013 Luijben D14/447
 D694,249 S 11/2013 Akana et al.
 D700,175 S 2/2014 Ohm
 D705,211 S 5/2014 Huang
 D709,066 S 7/2014 Byun
 D709,072 S 7/2014 Askew-Harris et al.
 D713,398 S 9/2014 Alesi et al.

D715,132 S 10/2014 McSweyn et al.
 D718,612 S 12/2014 McSweyn et al.
 D719,146 S * 12/2014 Herbst D14/253
 D719,959 S 12/2014 Vogel
 D727,259 S 4/2015 Hwang
 D730,723 S * 6/2015 McSweyn D8/363
 D735,132 S 7/2015 Donohue, II et al.
 D761,769 S 7/2016 Harper
 D772,203 S 11/2016 Zeng
 D778,713 S 2/2017 McSweyn
 D782,415 S 3/2017 Zhang
 D792,380 S 7/2017 Harper
 D799,468 S * 10/2017 Chen D14/253
 D801,414 S * 10/2017 Martin D16/242
 D817,317 S * 5/2018 Lee D14/253
 D820,663 S * 6/2018 Jang D8/349
 D824,378 S * 7/2018 Sukphisit D14/253
 D825,545 S * 8/2018 McSweyn D14/253
 D832,248 S * 10/2018 Sukphist D14/253
 D832,276 S * 10/2018 Miles D14/451
 D832,859 S * 11/2018 Charlesworth D14/451
 D833,449 S * 11/2018 Khubani D14/447
 2005/0092875 A1 5/2005 Carnevali
 2006/0290654 A1 12/2006 Wang
 2007/0018064 A1 1/2007 Wang
 2008/0023606 A1 1/2008 Kalis et al.
 2011/0192857 A1 8/2011 Rothbaum et al.
 2012/0229300 A1 9/2012 Fu
 2012/0292463 A1 11/2012 Bums
 2012/0295451 A1 11/2012 Kim et al.
 2013/0043827 A1 2/2013 Weinstein et al.
 2013/0187020 A1 7/2013 Trotsky
 2014/0346295 A1 11/2014 Song
 2014/0357094 A1 12/2014 Kim
 2015/0207351 A1 7/2015 Hamburgers et al.
 2015/0288205 A1 10/2015 Weinstein
 2018/0159369 A1 * 6/2018 McSweyn

FOREIGN PATENT DOCUMENTS

CN 203416030 1/2014
 CN 203193688 11/2015
 JP 2000231910 11/2015

OTHER PUBLICATIONS

Mounts posted by Scoshe found on Sep. 27, 2016 at <http://www.scoshe.com/consumer-tech/mounts>.
 Magnetic Nanoport links phones to accessories, cars, each other; Jan. 7, 2014 <http://www.cnet.com/news/magnetic-nanoport-links-phones-to-accessories-cars-each-other/>.
 Clever smartphone case offers an ingenious way to charge your phone on the go; Jun. 20, 2014 <http://bgr.com/2014/06/20/best-smartphone-accessories-zolo/>.
 Logitech Case+ Review: Brilliant iPhone Case Concept, Flawed Execution; May 13, 2014 <http://time.com/98112/logitech-case-plus-review/>.
 Scoshe Magic Mount Pro Home Qi, Scoshe published on Jan. 30, 2017 on twice.com, retrieved from the Internet URL: <http://www.twice.com/twice-picks-award-sinner-scoshe-mpqhd-magicmount-pro-home-qi/64136>.

* cited by examiner

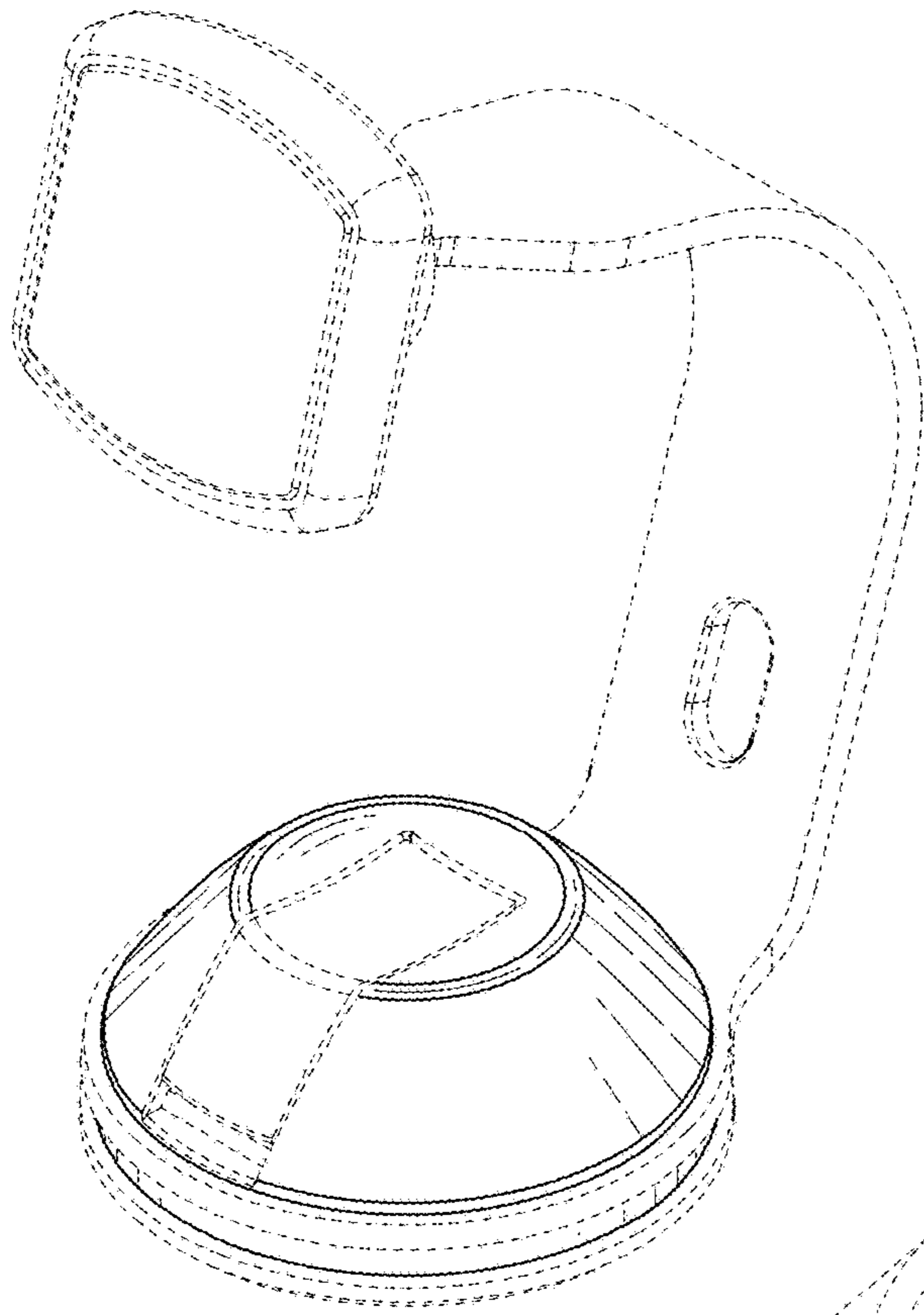


FIG. 1

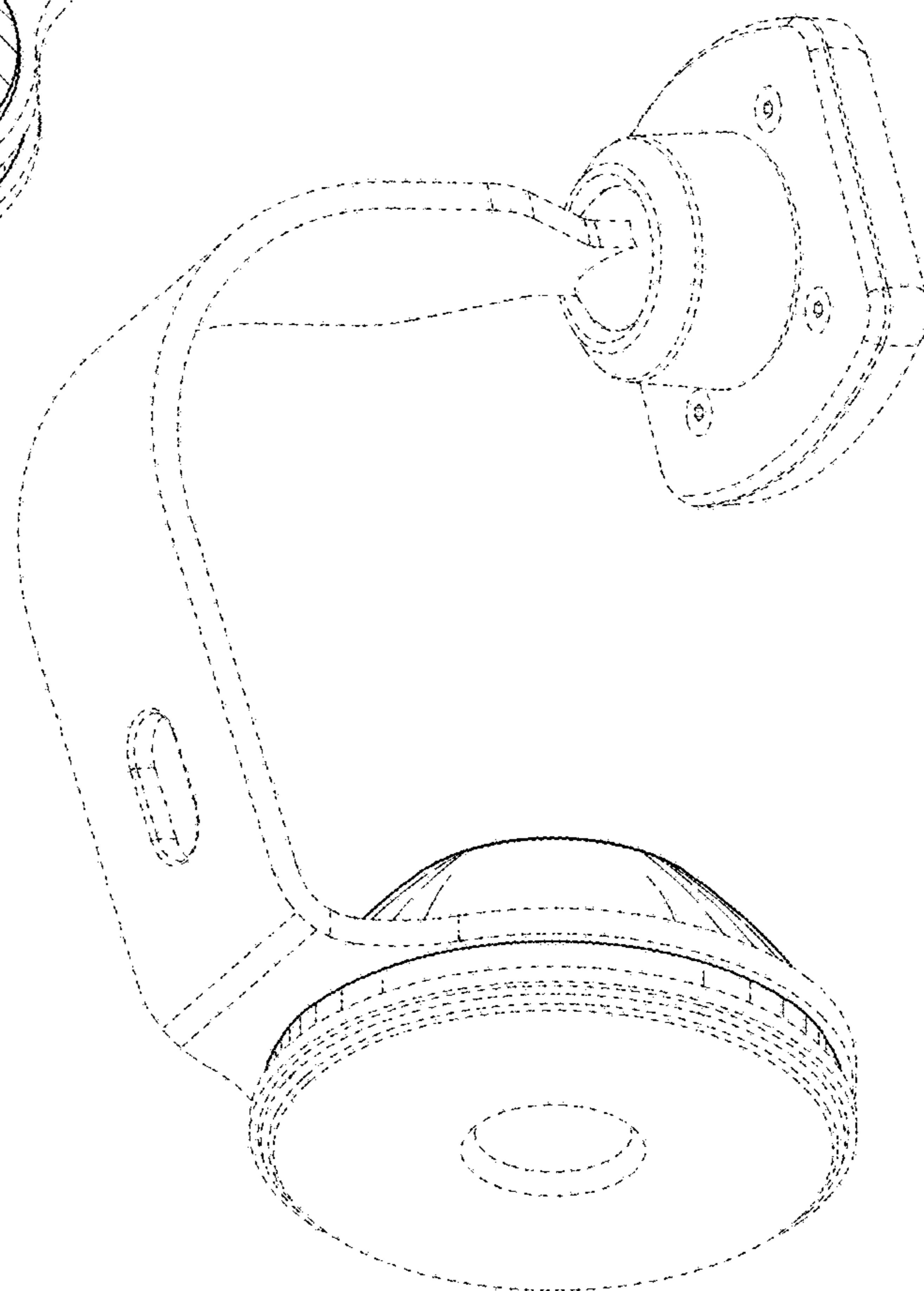


FIG. 2

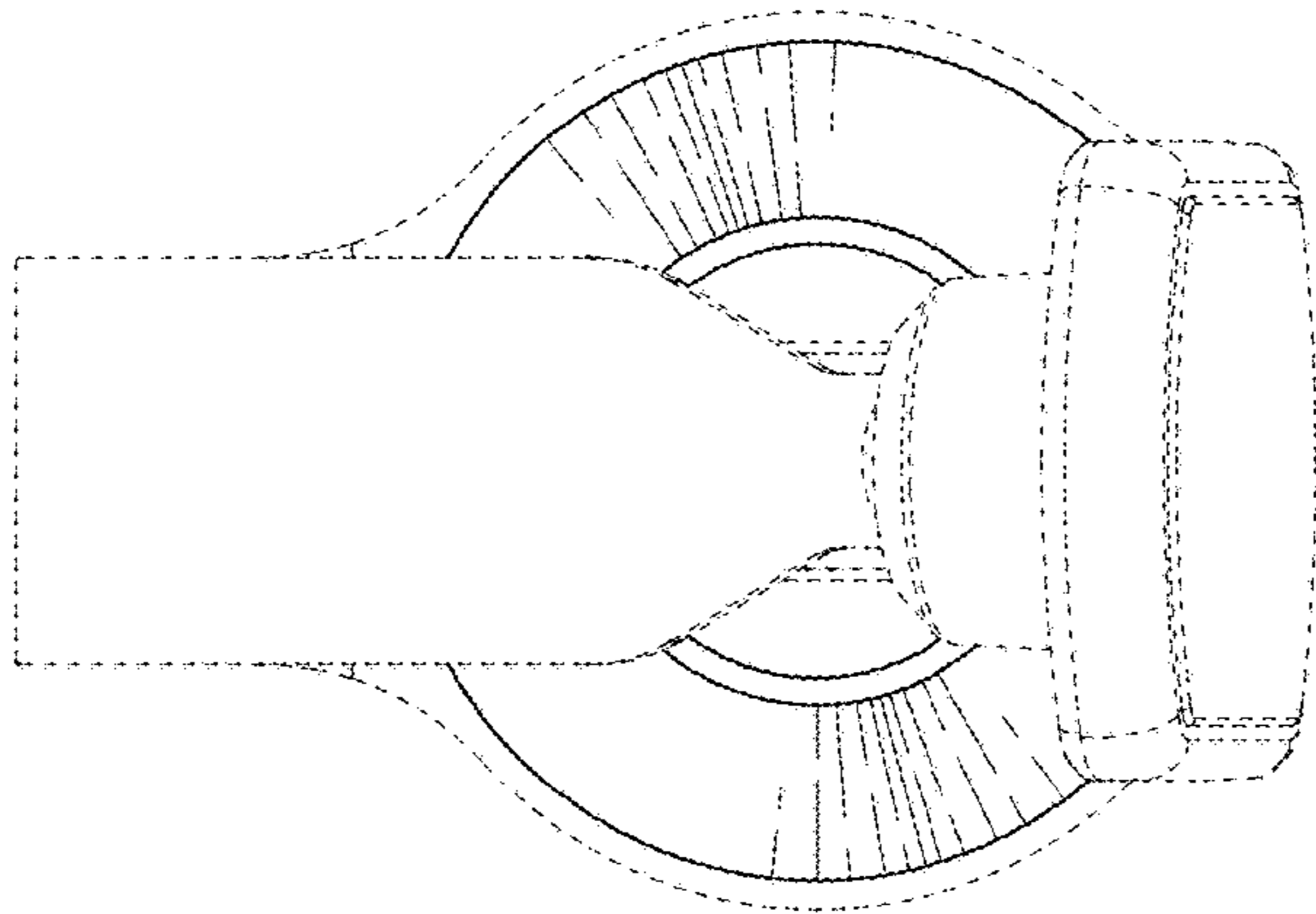


FIG. 3

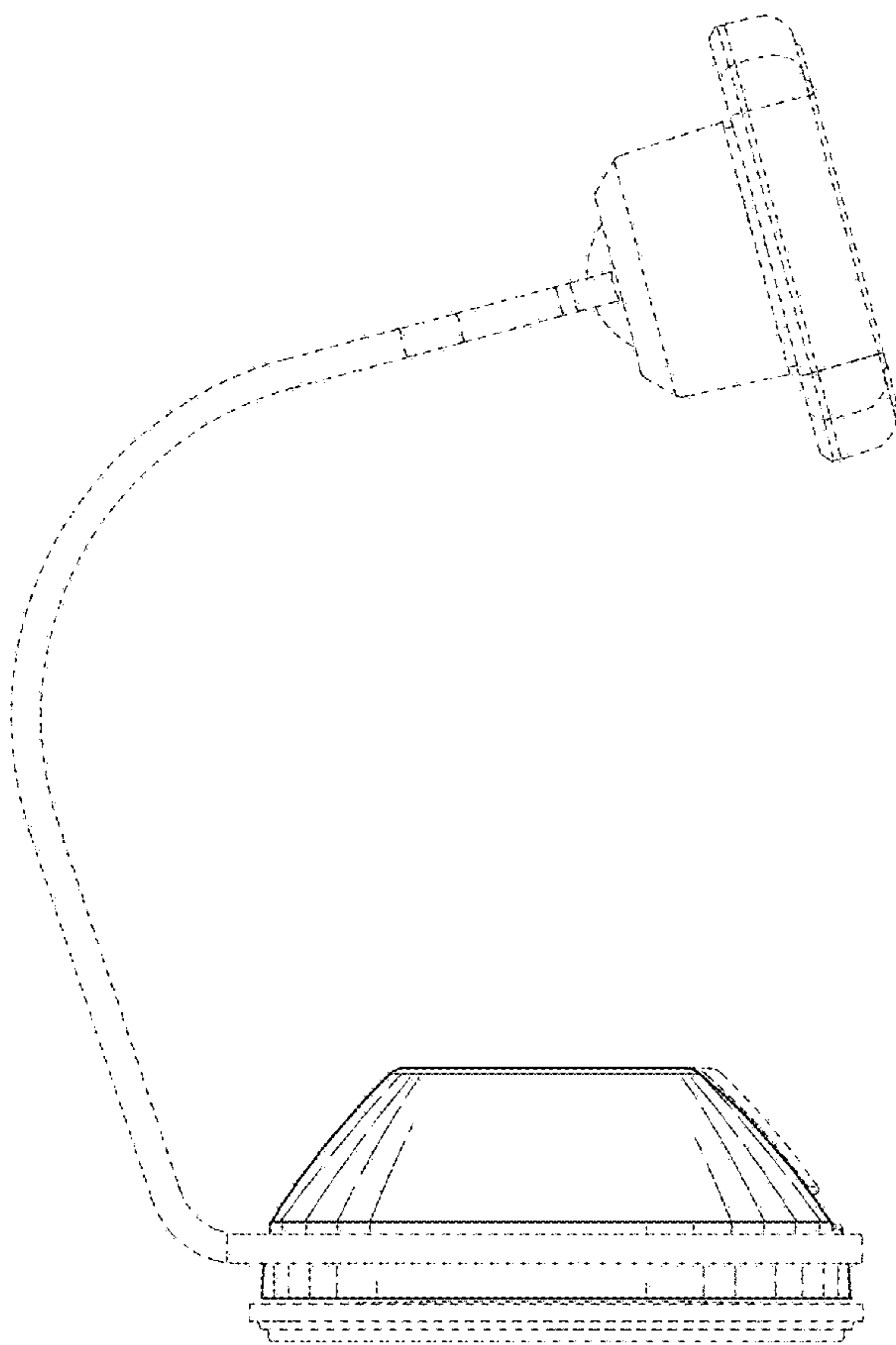


FIG. 4

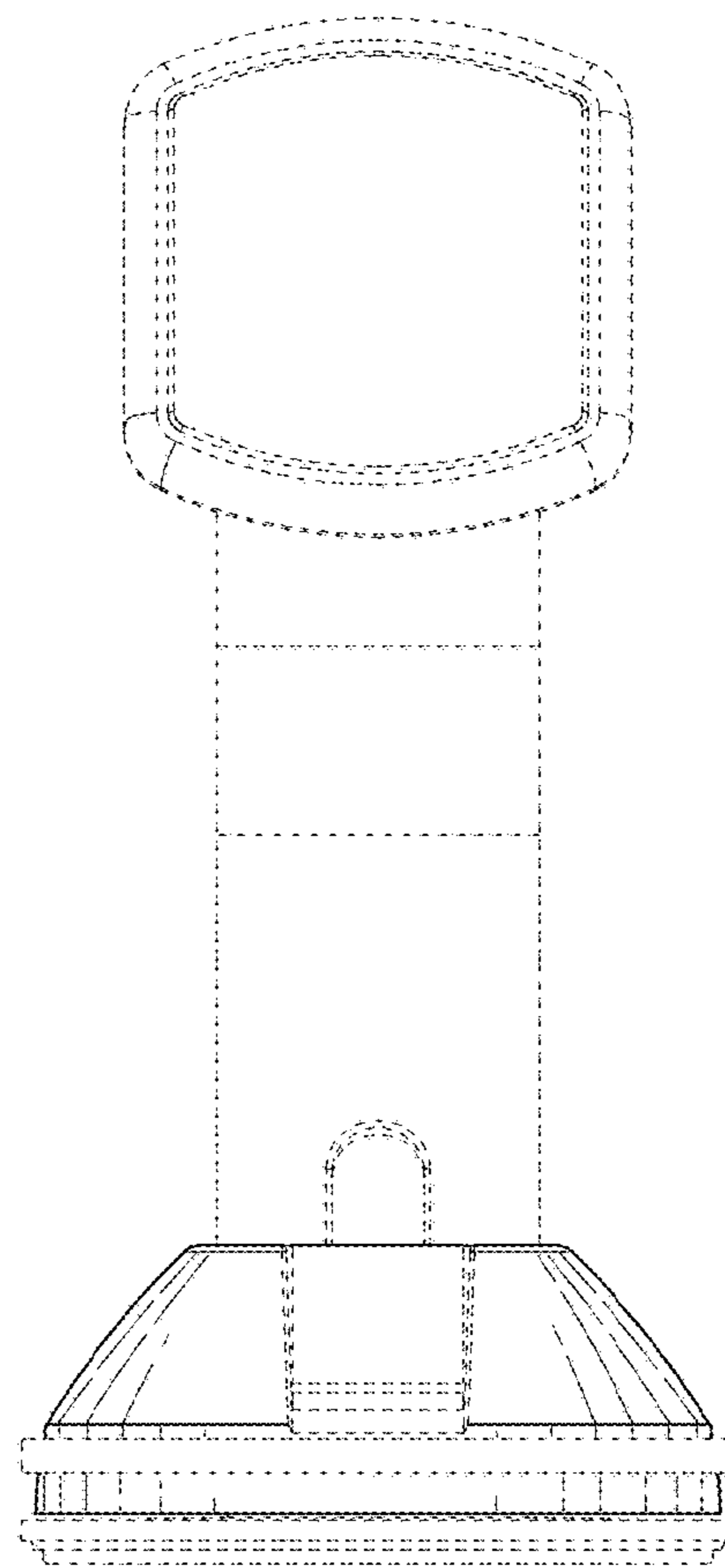


FIG. 5

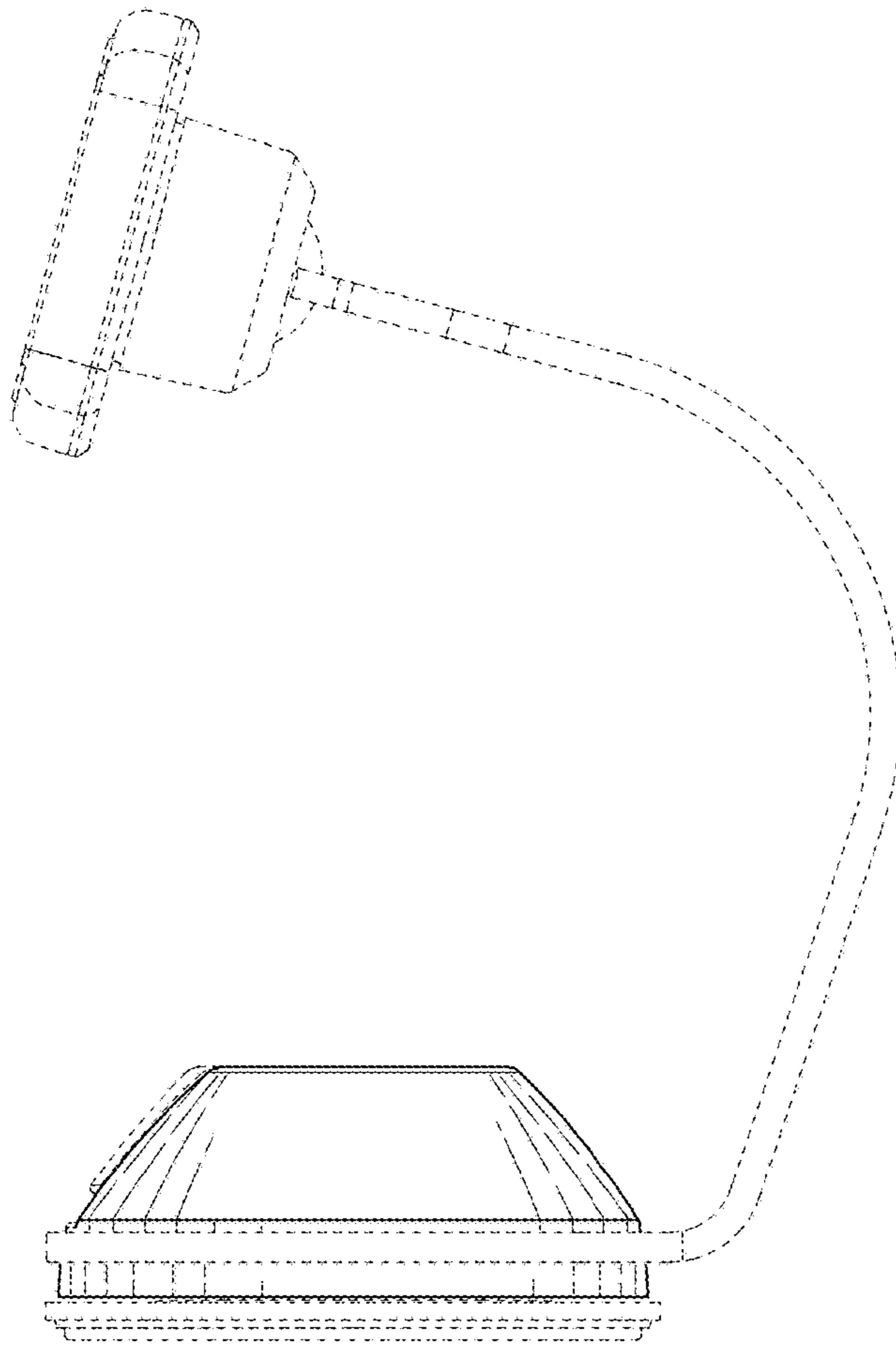


FIG. 6

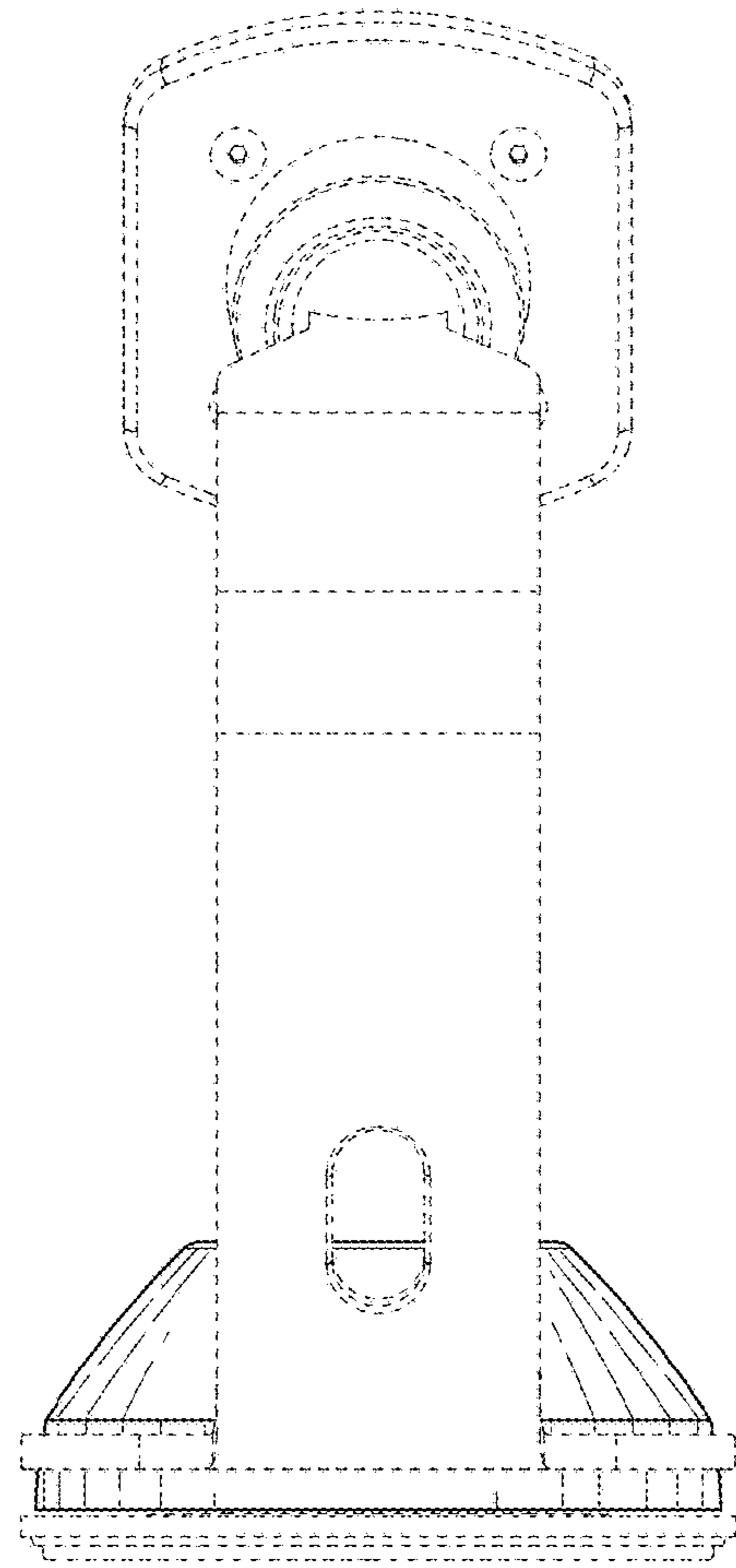


FIG. 7

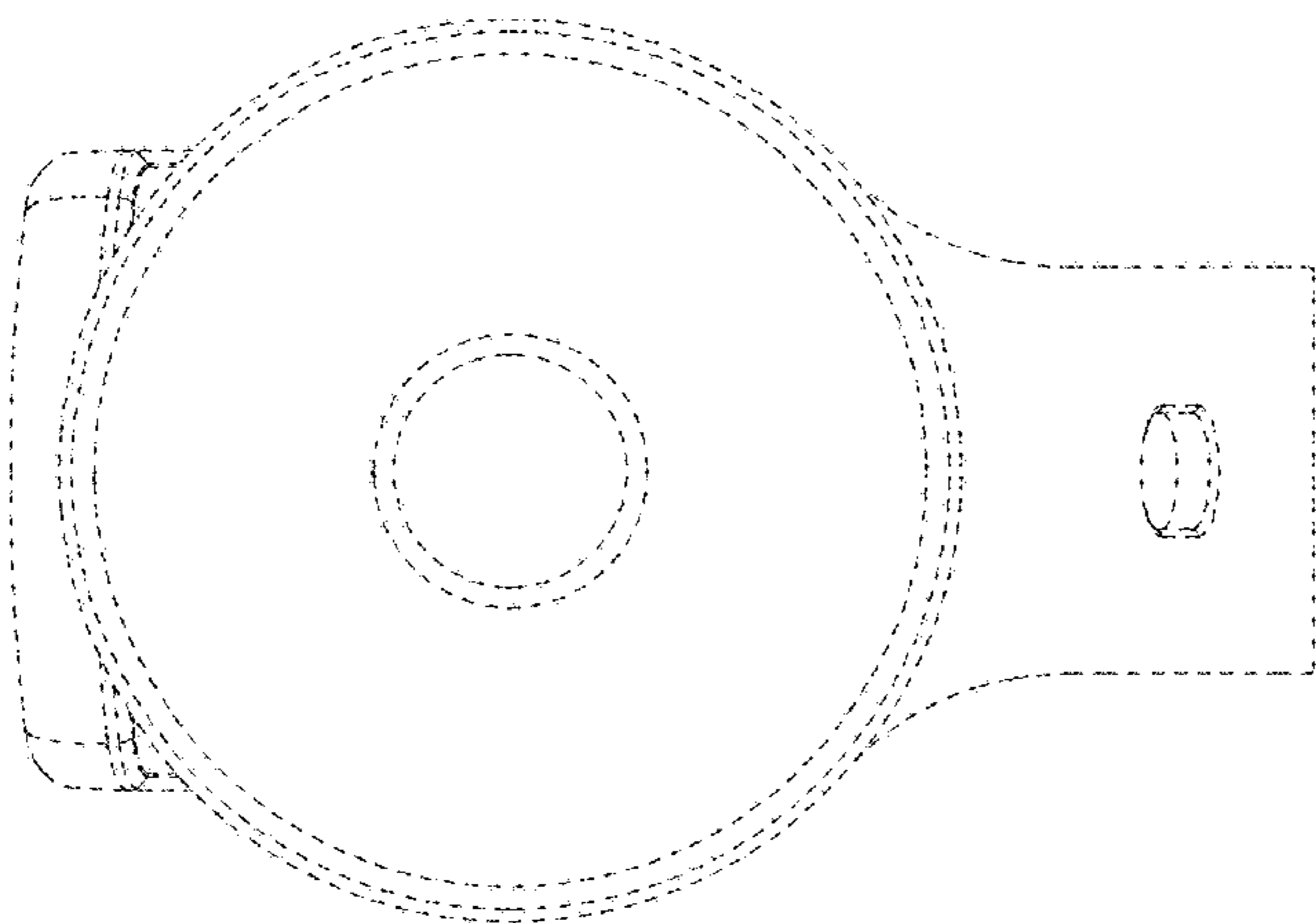


FIG. 8