



US00D870095S

(12) **United States Design Patent** (10) **Patent No.:** **US D870,095 S**
Hu (45) **Date of Patent:** **** Dec. 17, 2019**

(54) **MOBILE PHONE HOLDER**
(71) Applicant: **Chaoqun Hu**, Shenzhen (CN)
(72) Inventor: **Chaoqun Hu**, Shenzhen (CN)
(**) Term: **15 Years**
(21) Appl. No.: **29/657,039**
(22) Filed: **Jul. 18, 2018**
(51) **LOC (12) Cl.** **14-99**
(52) **U.S. Cl.**
USPC **D14/253**
(58) **Field of Classification Search**
USPC D14/250-254, 224, 224.1, 238.1, 434,
D14/447, 451, 452, 483; D12/400,
D12/415-418, 420, 426.1, 114, 223;
D16/242, 245; D10/74; D3/218;
D13/107, 108
CPC B60R 11/00; B60R 11/02; B60R 11/0241;
B60R 11/0252; B60R 2011/0003; B60R
2011/0005; B60R 2011/0008; H04M
1/04; H04B 1/3877; A45F 2200/0516;
A45F 2200/0525; H05K 5/0204; F16M
13/02; F16M 13/022; F16M 11/04; F16M
11/041; F16M 11/14; F16M 11/22; F16B
2/12; H01F 7/0252; G03B 17/561
See application file for complete search history.

D764,478 S * 8/2016 Radmard H04M 1/185
D14/250
D769,852 S * 10/2016 Godycki D14/250
D800,106 S * 10/2017 Godycki D14/250
10,001,153 B1 * 6/2018 Fan F16B 2/12
D849,750 S * 5/2019 Armstrong D14/440
D858,510 S * 9/2019 Saculles D14/253
2008/0110946 A1 * 5/2008 Dixon A45F 5/02
224/197
2012/0104185 A1 * 5/2012 Carroll F16M 11/041
248/27.1
2012/0234055 A1 * 9/2012 Bland, III E05B 73/0082
70/15
2013/0105644 A1 * 5/2013 Yu G10G 5/005
248/125.7
2017/0120980 A1 * 5/2017 Karl B62J 11/00
2017/0172267 A1 * 6/2017 Bong A45C 11/00

* cited by examiner

Primary Examiner — Jeffrey D Asch
Assistant Examiner — Rebekah A Caruso

(57) **CLAIM**

The ornamental design for a mobile phone holder, as shown and described.

DESCRIPTION

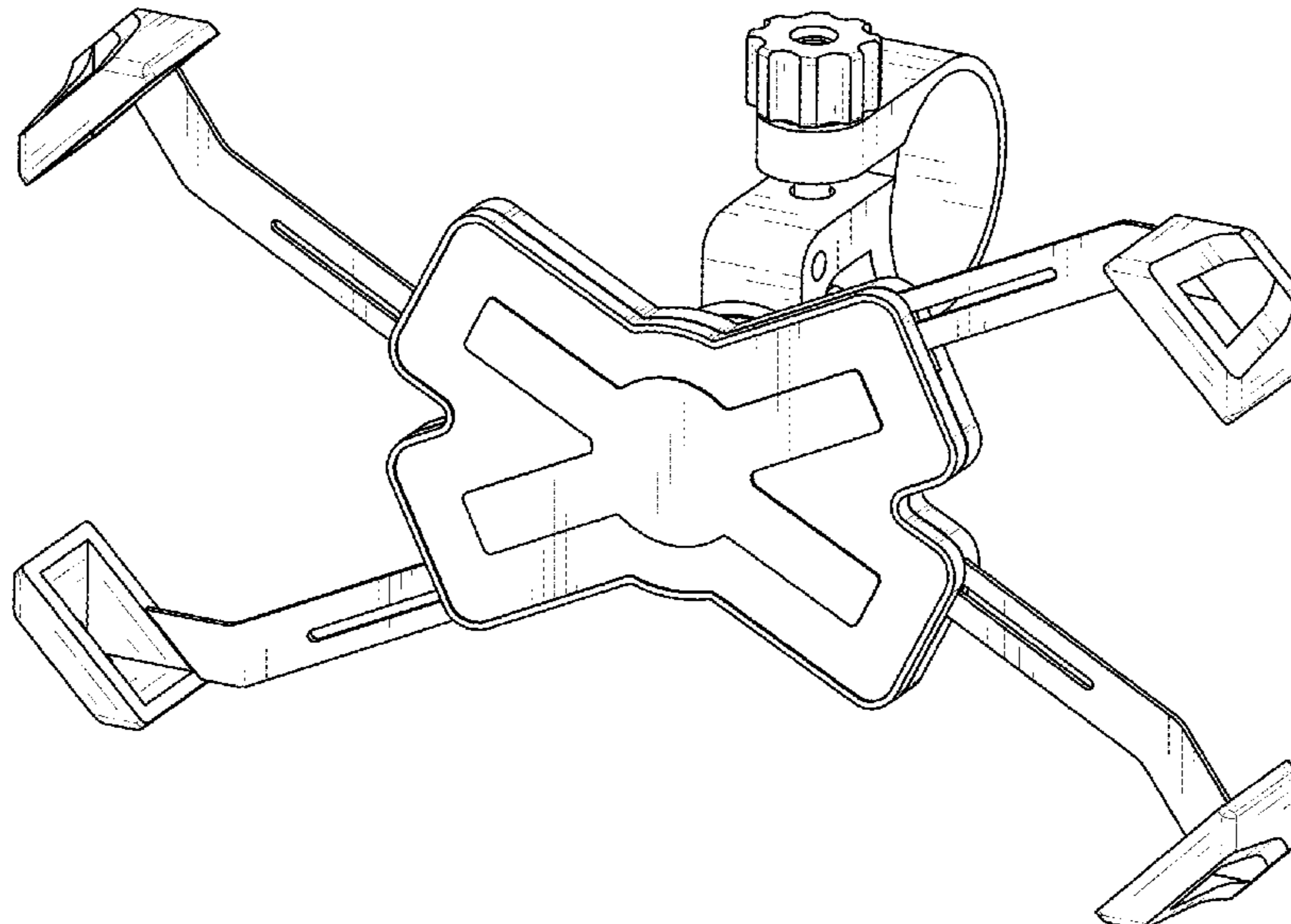
FIG. 1 is a first perspective view of a mobile phone holder showing the claimed new design;
FIG. 2 is a second perspective view thereof;
FIG. 3 is a front elevational view thereof;
FIG. 4 is a rear elevational view thereof;
FIG. 5 is a left side elevational view thereof;
FIG. 6 is a right side elevational view thereof;
FIG. 7 is a top plan view thereof; and,
FIG. 8 is a bottom plan view thereof.
The broken lines immediately adjacent to the portions included in the claim are boundaries, all other broken lines are environmental structure; all the broken lines form no part of the claimed design.

(56) **References Cited**

U.S. PATENT DOCUMENTS

D560,068 S * 1/2008 Dixon A45F 5/02
D3/218
D592,188 S * 5/2009 Huang D14/217
D640,707 S * 6/2011 Yeh D14/447
D669,890 S * 10/2012 Hopkins D14/251
D673,960 S * 1/2013 Lindfield D14/447
D686,629 S * 7/2013 Trinh D14/447
D692,436 S * 10/2013 Hung D14/447
9,297,495 B2 * 3/2016 Fischer F16M 11/041

1 Claim, 8 Drawing Sheets



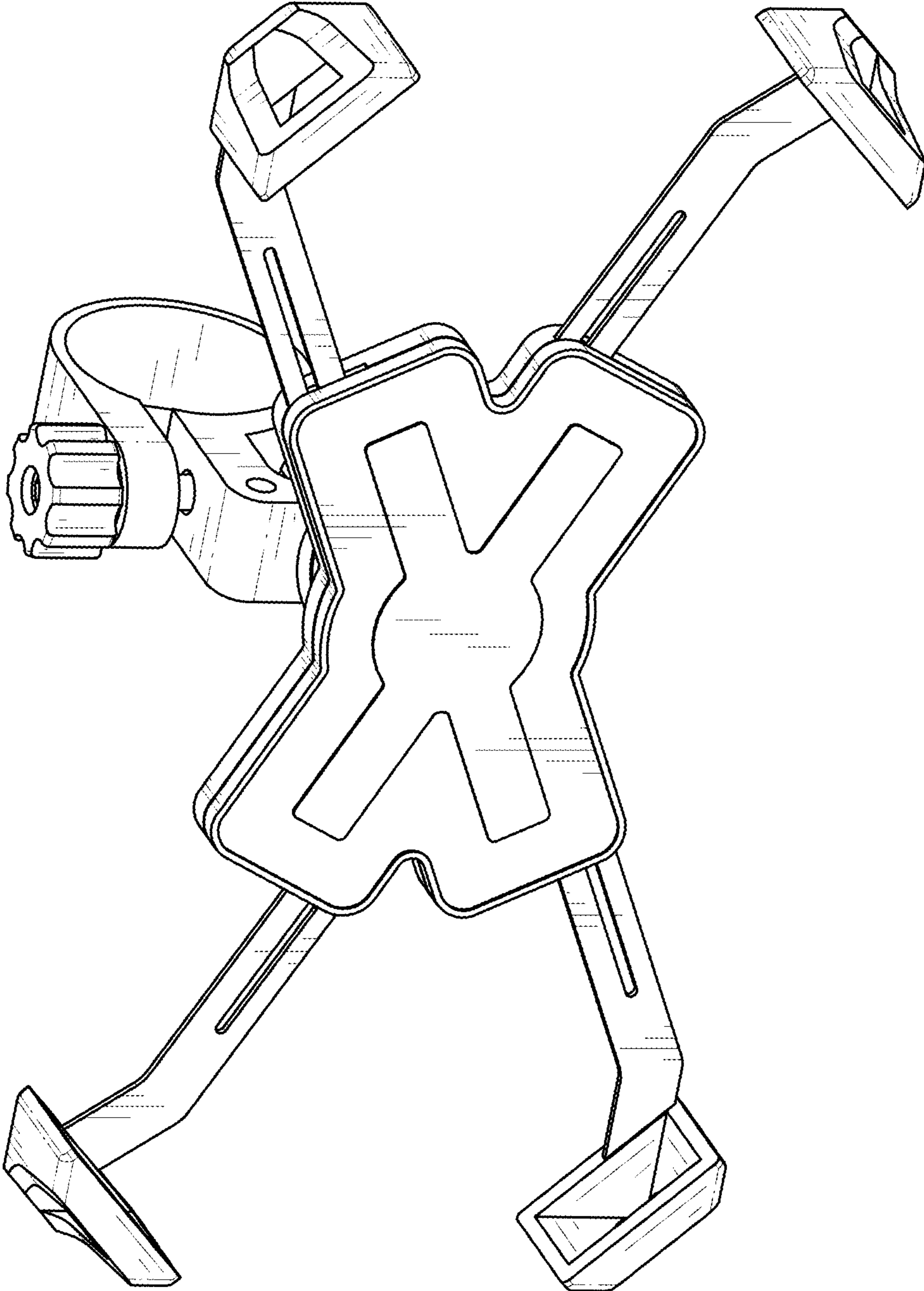


FIG. 1

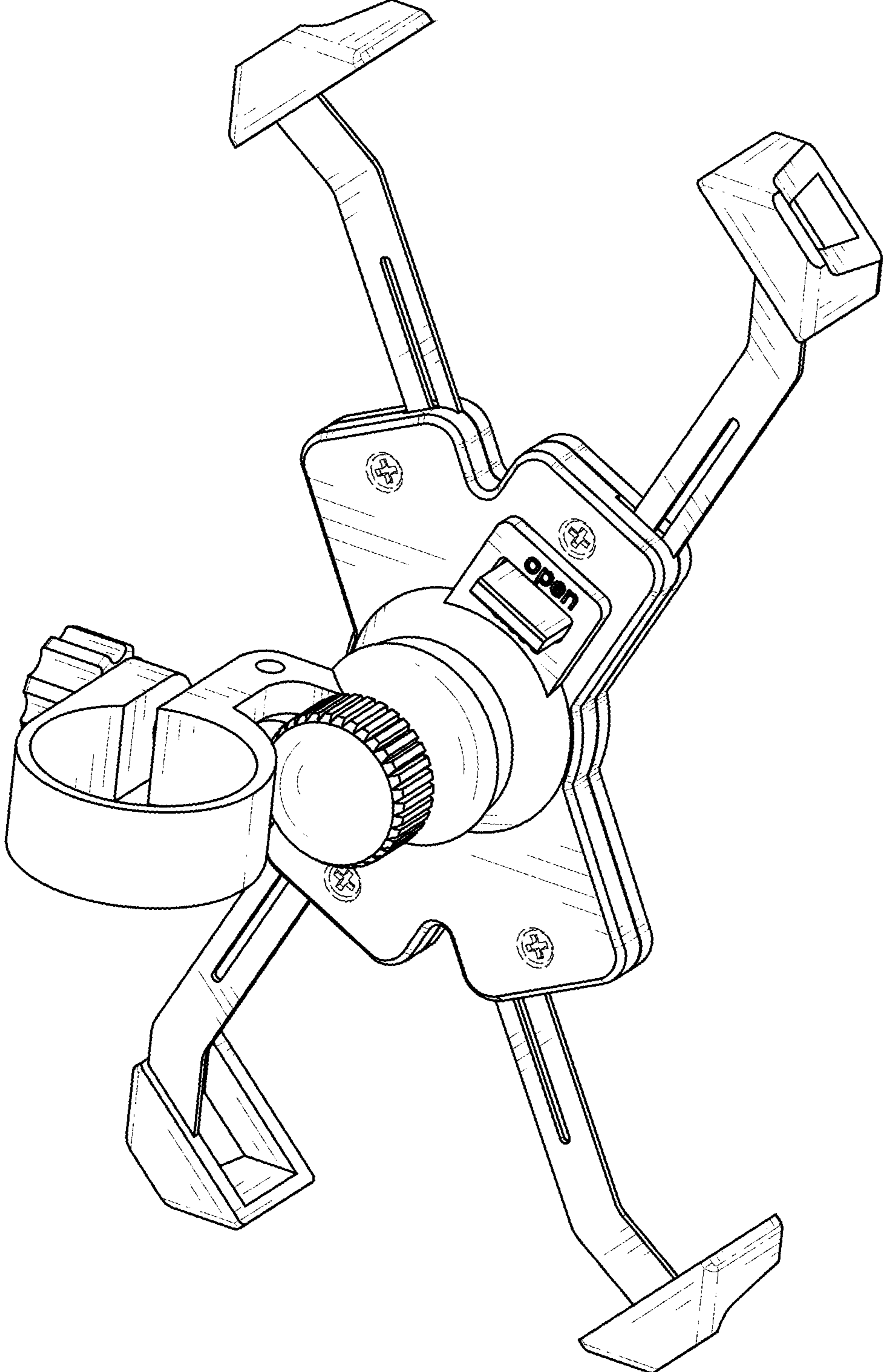


FIG. 2

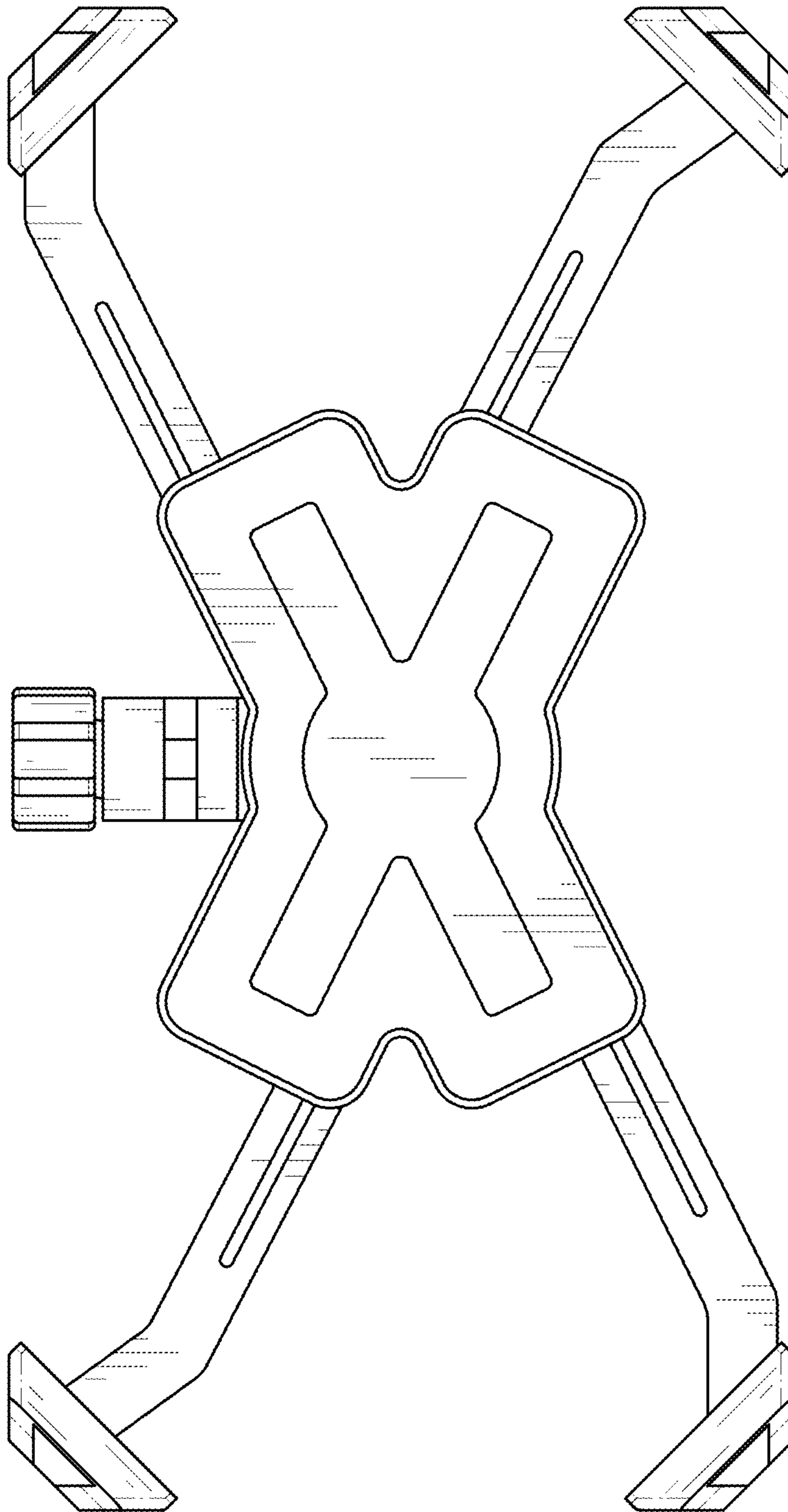


FIG. 3

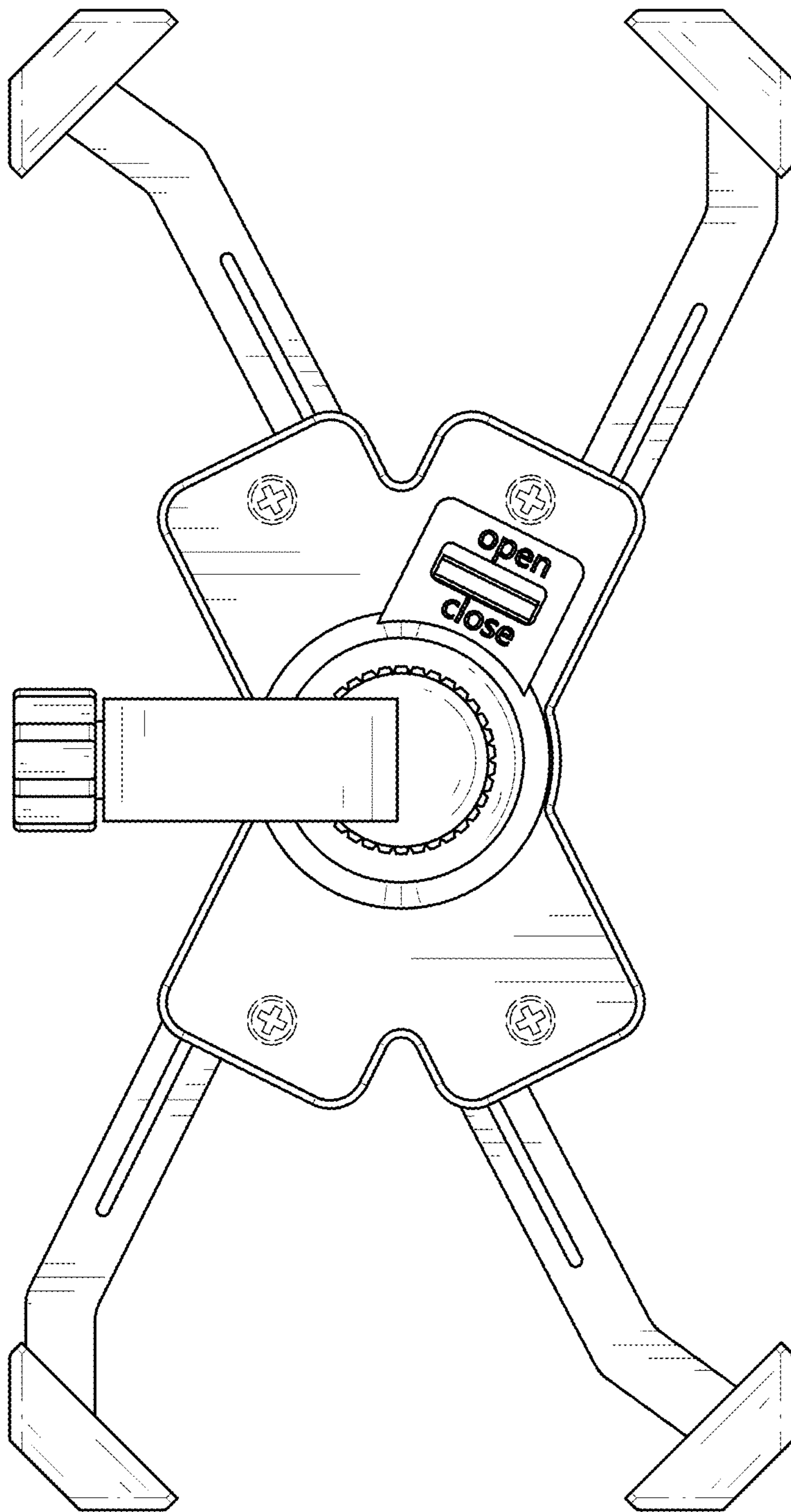


FIG. 4

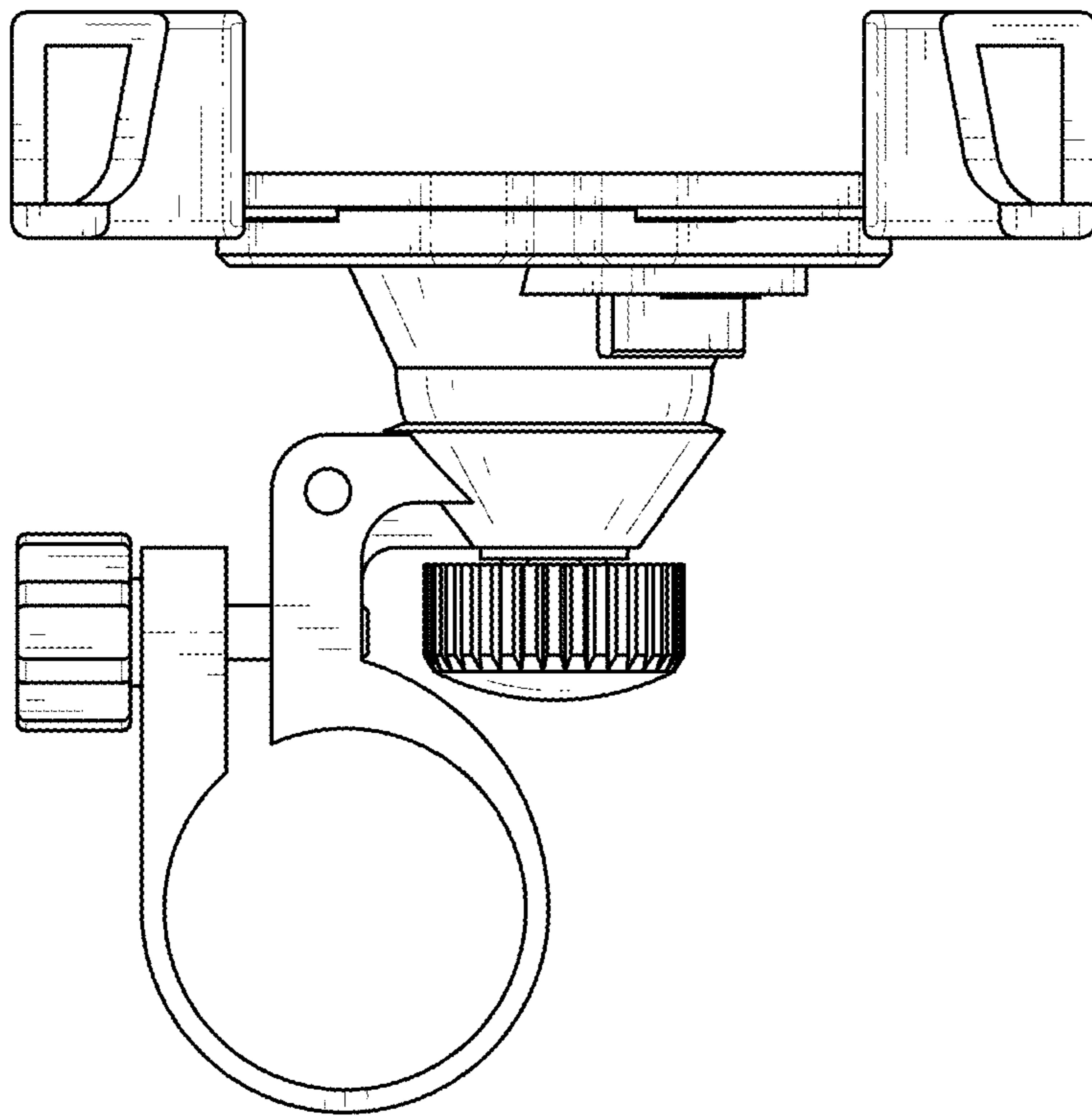


FIG. 5

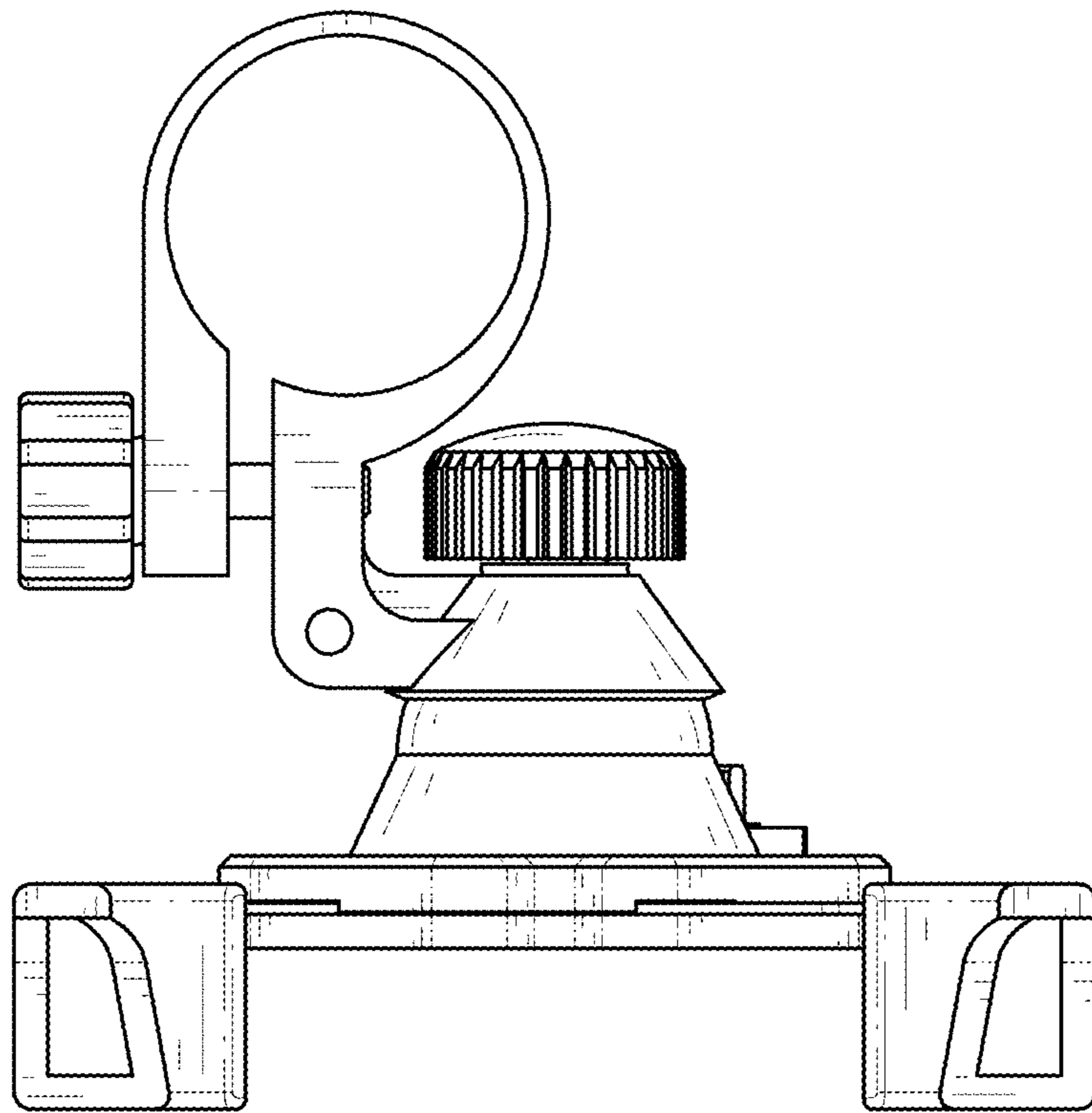


FIG. 6

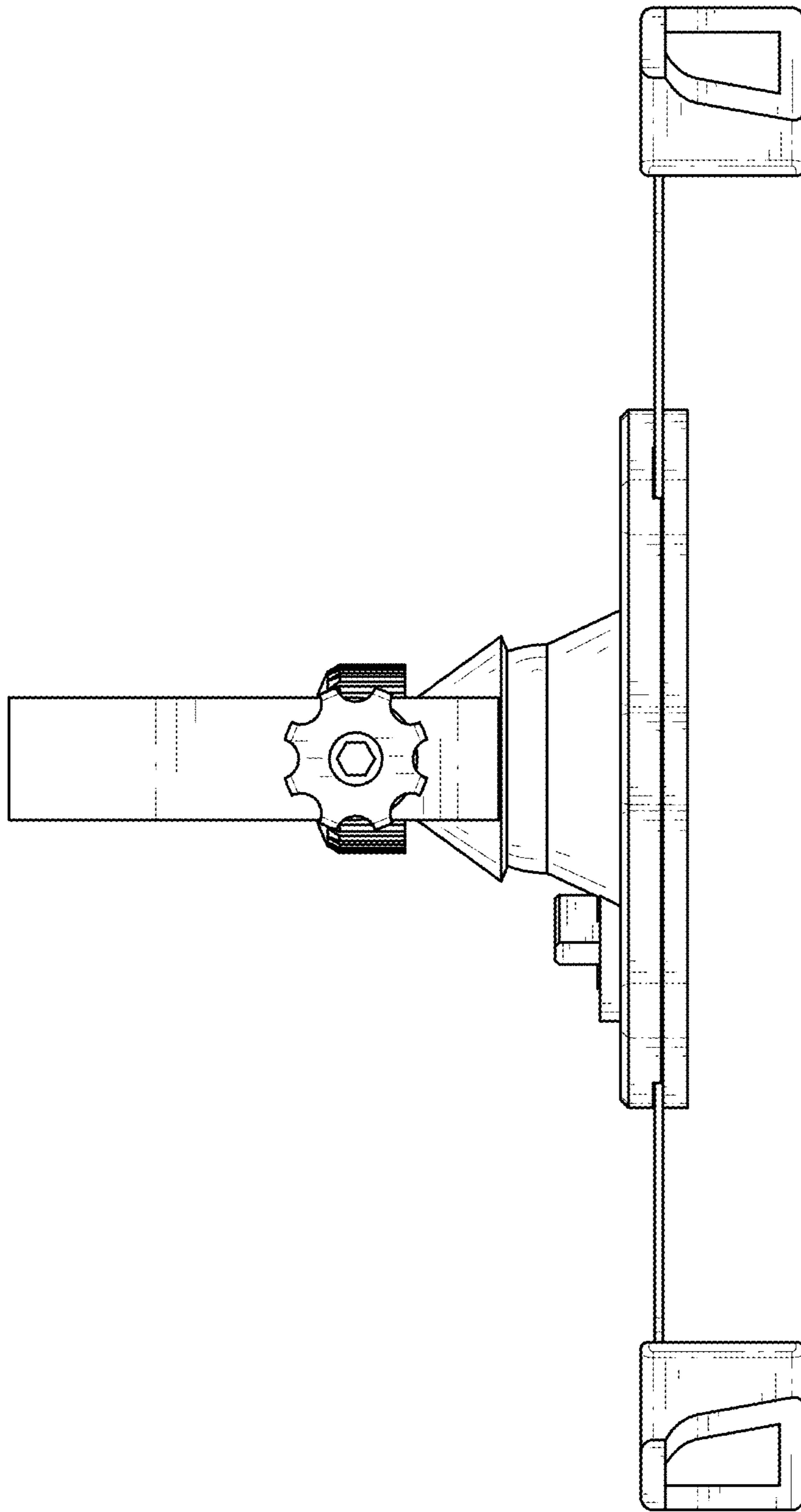


FIG. 7

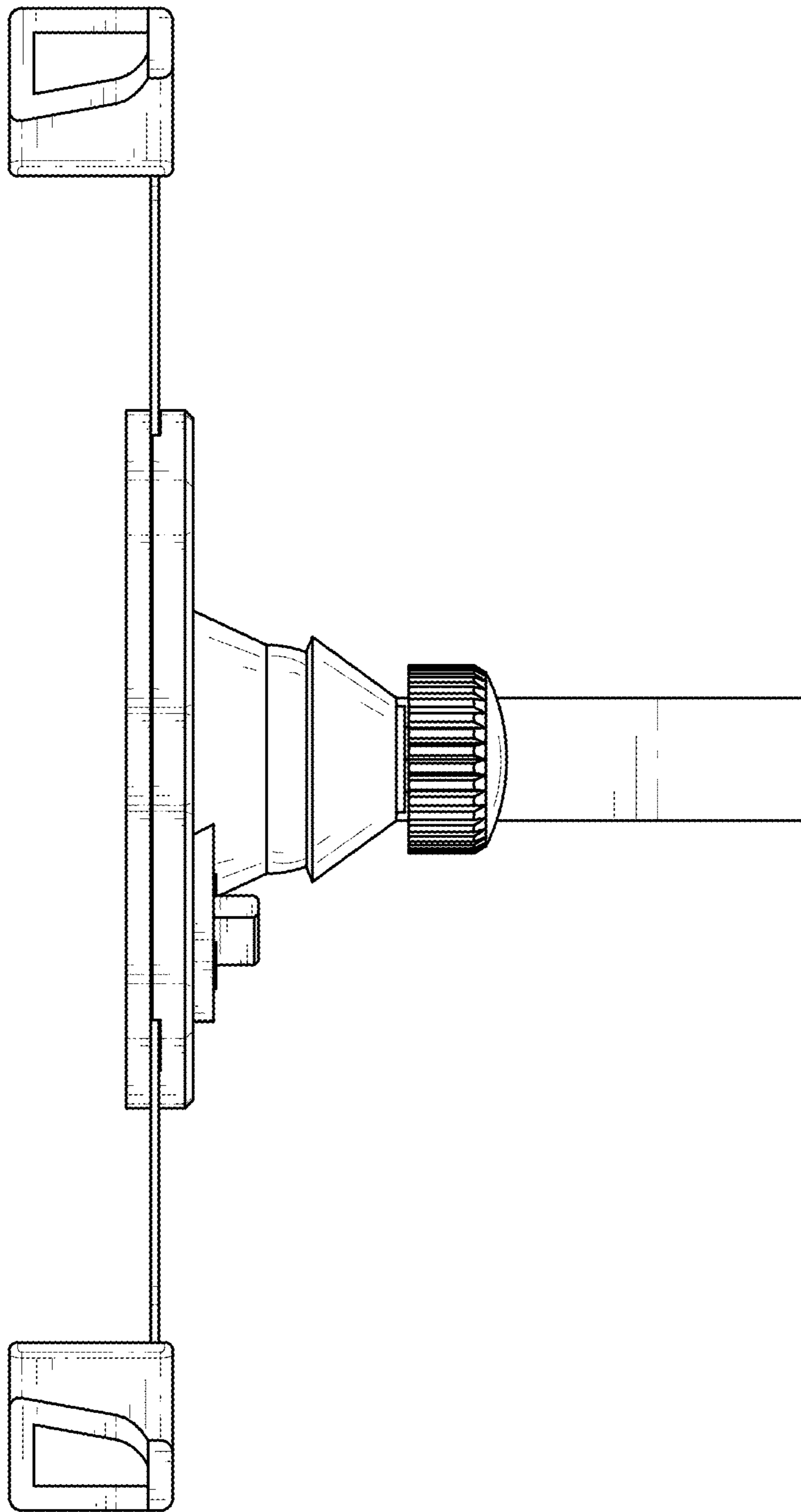


FIG. 8