



US00D870094S

(12) **United States Design Patent** (10) **Patent No.:** **US D870,094 S**
Ma et al. (45) **Date of Patent:** **** Dec. 17, 2019**

(54) **SMART PHONE HOLDER**

(56) **References Cited**

(71) Applicant: **Suzhou Carrobot Automotive Electronics Technology Co., Ltd.**, Suzhou (CN)
(72) Inventors: **Binbin Ma**, Suzhou (CN); **Jianfeng Min**, Suzhou (CN); **Shunping Miao**, Suzhou (CN)
(73) Assignee: **SUZHOU CARROBOT AUTOMOTIVE ELECTRONICS TECHNOLOGY CO., LTD.**, Suzhou (CN)

U.S. PATENT DOCUMENTS

D649,865	S	*	12/2011	English	D8/363
D677,670	S	*	3/2013	Vizcarra	D14/447
D696,673	S	*	12/2013	Vogel	D14/447
D701,510	S	*	3/2014	Brisbin	D14/447
D723,573	S	*	3/2015	Padro	D14/447
D725,661	S	*	3/2015	Snyder	D14/451
D746,825	S	*	1/2016	Kang	D14/451
D789,940	S	*	6/2017	Hicks	D14/447
D801,733	S	*	11/2017	Han	D6/676
D818,998	S	*	5/2018	Lee	D14/239
D845,232	S	*	4/2019	Harden	D13/108
2003/0102419	A1	*	6/2003	Carnevali	A47B 23/002 248/346.2

(**) Term: **15 Years**

* cited by examiner

(21) Appl. No.: **29/632,734**

Primary Examiner — Jeffrey D Asch

(22) Filed: **Jan. 9, 2018**

Assistant Examiner — Rebekah A Caruso

(30) **Foreign Application Priority Data**

(74) *Attorney, Agent, or Firm* — Cantor Colburn LLP

Dec. 12, 2017 (CN) 2017 3 0632032

(51) **LOC (12) Cl.** **14-03**

(57) **CLAIM**

(52) **U.S. Cl.**

We claim, the ornamental design for a smart phone holder, as shown and described.

USPC **D14/253**; D14/447; D12/415

(58) **Field of Classification Search**

DESCRIPTION

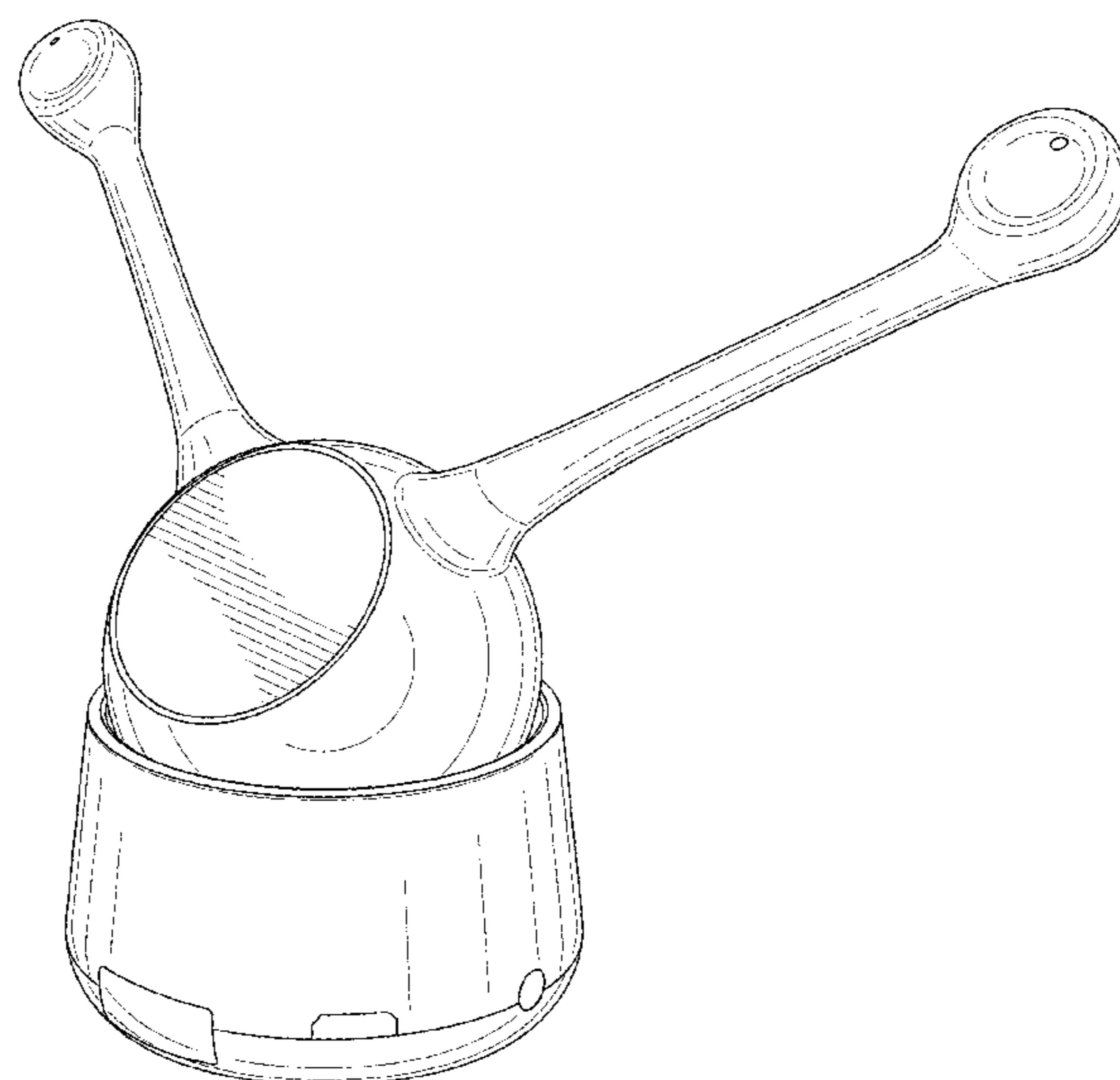
USPC D14/251–254, 217, 224, 224.1, 238.1, D14/299, 434, 447, 451–452, 483; D12/400, 415–426, 426.1, 114, 223; D8/394; D6/513, 553, 567; D3/218; D16/242, 245; D10/74; D13/108

FIG. 1 is a perspective view of a smart phone holder, showing our new design;
FIG. 2 is a rear view thereof;
FIG. 3 is front view thereof;
FIG. 4 is top view thereof;
FIG. 5 is a bottom view thereof;
FIG. 6 is a side view thereof; and,
FIG. 7 is an opposite side view thereof.
Where portions shown in broken lines form no part of the claimed design.

CPC B60R 11/00; B60R 11/02; B60R 11/0241; B60R 11/0252; B60R 2011/0005; B60R 2011/0008; H04M 1/026; H04M 1/0266; H04B 1/3877; A45F 2200/0516; A45F 2200/0525; H05K 5/0204; F16M 13/02; F16M 13/022; F16M 13/04; F16M 11/04; F16M 11/041; F16B 2/12; H01F 7/0252; G03B 17/561; G03B 17/563

See application file for complete search history.

1 Claim, 7 Drawing Sheets



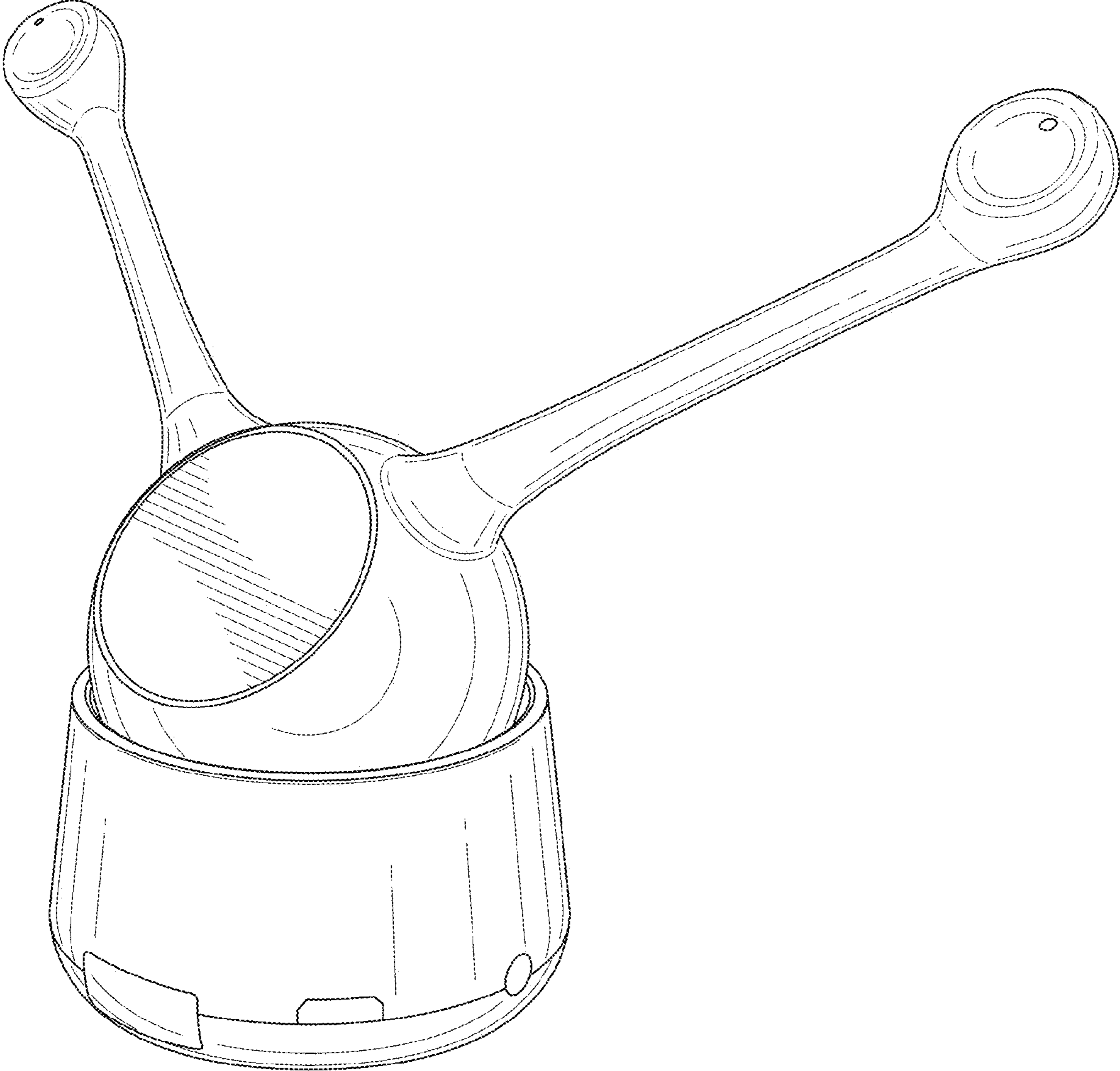


FIG. 1

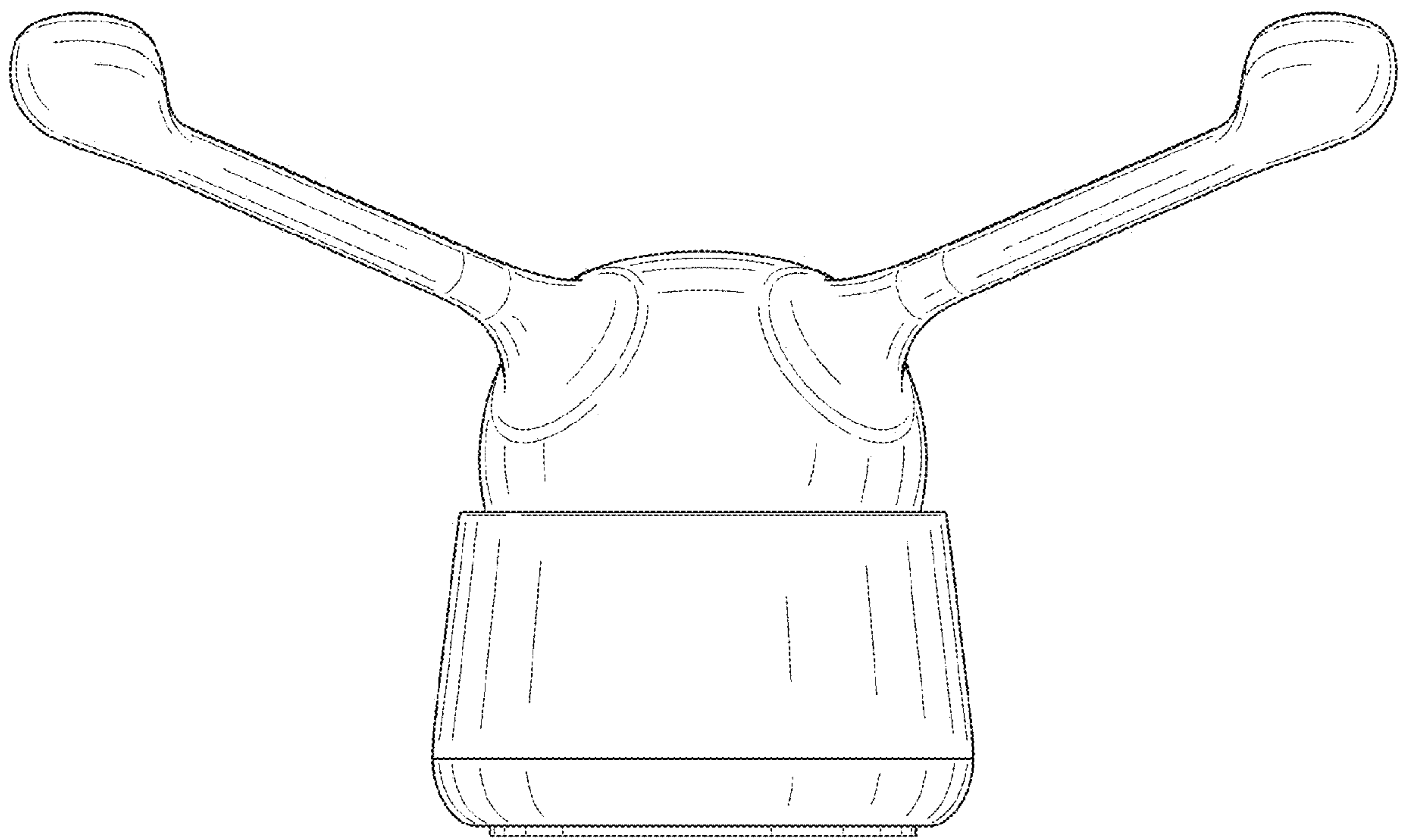


FIG. 2

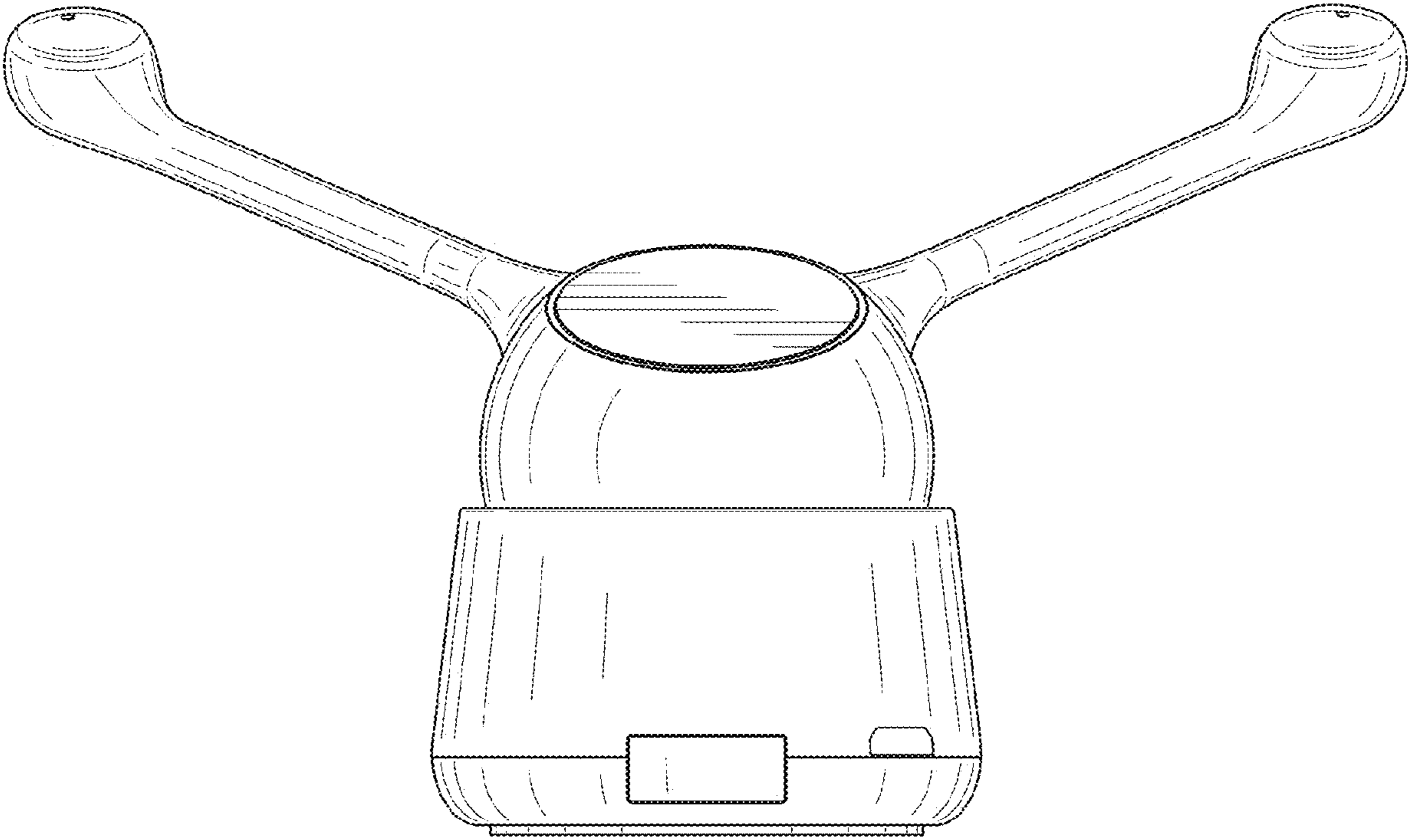


FIG. 3

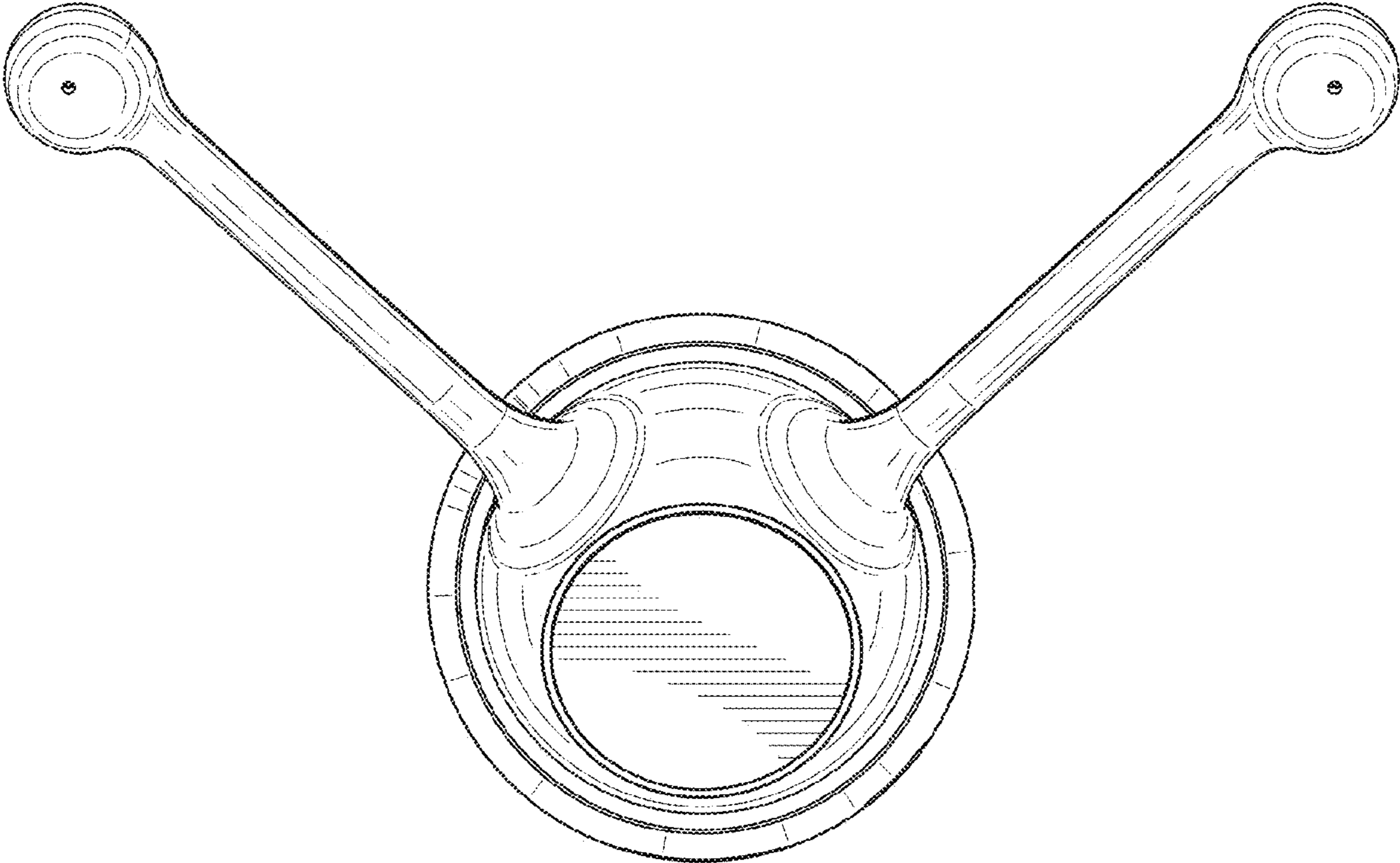


FIG. 4

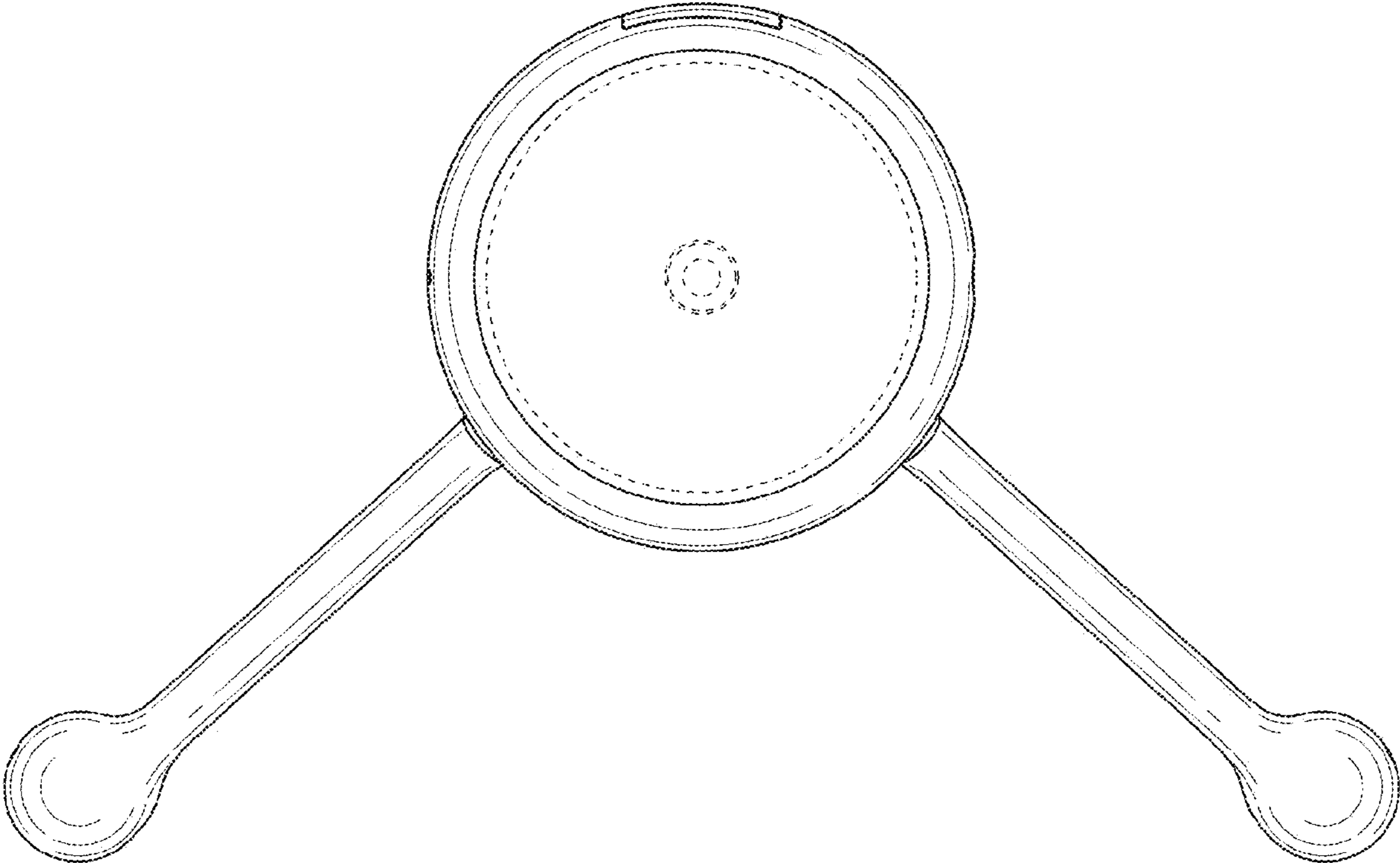


FIG. 5

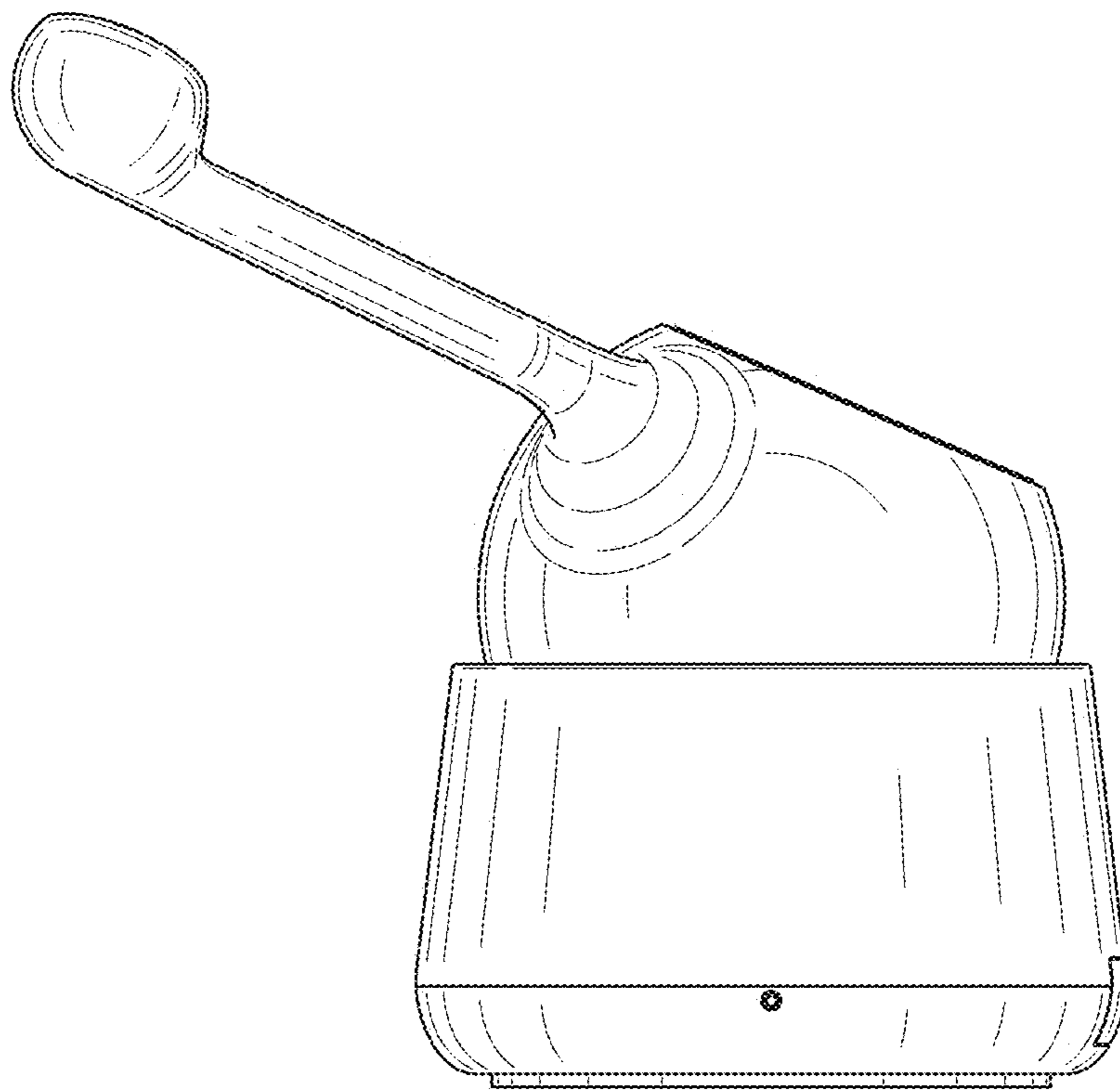


FIG. 6

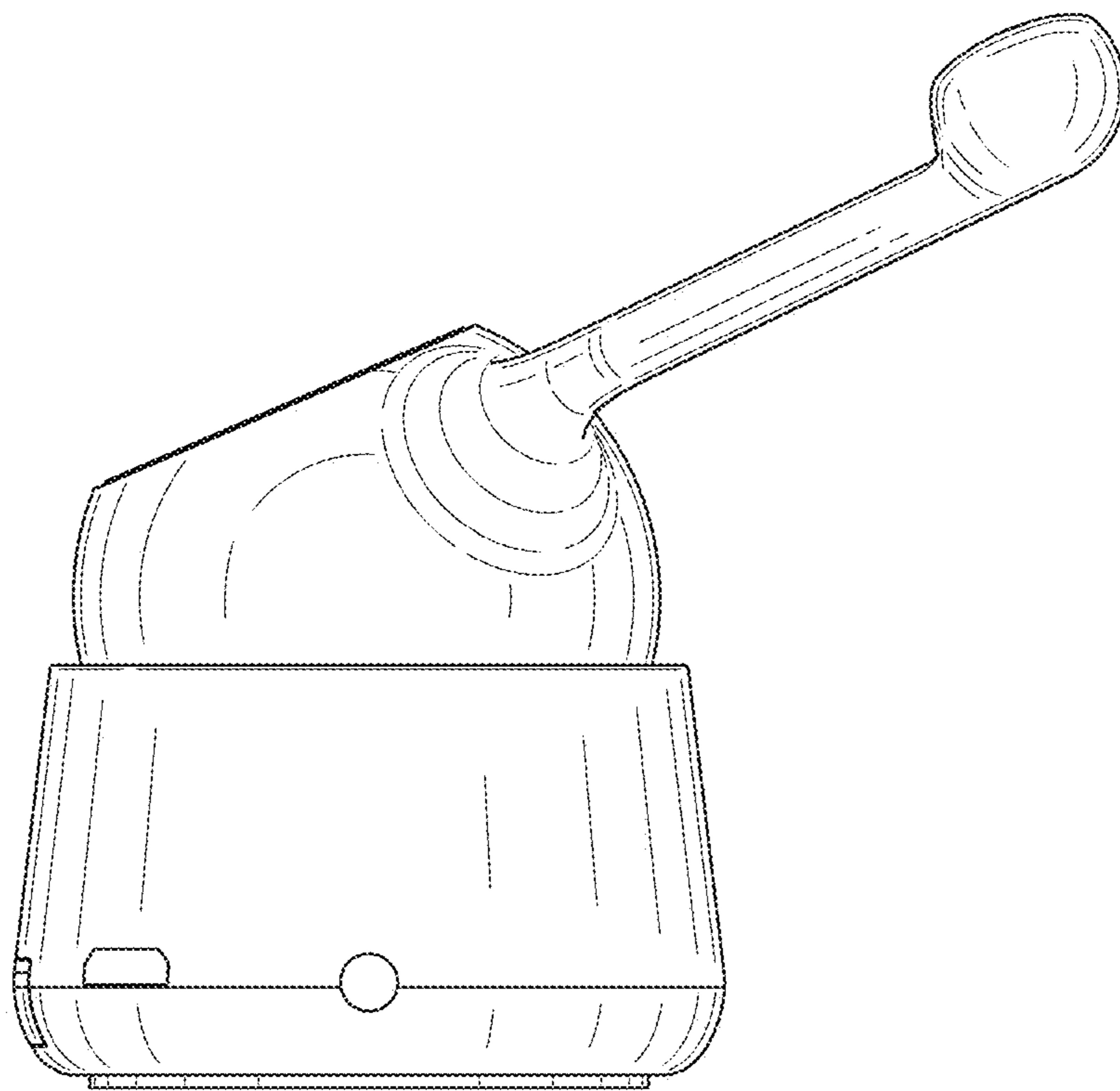


FIG. 7