



US00D870093S

(12) **United States Design Patent** (10) **Patent No.:** **US D870,093 S**  
**McSweyn** (45) **Date of Patent:** **\*\* Dec. 17, 2019**

(54) **DESK ATTACHMENT FOR MAGNETIC DEVICE MOUNT**

6,135,408 A 10/2000 Richter  
6,149,116 A 11/2000 Won  
6,305,656 B1 10/2001 Wemyss  
6,382,482 B1 5/2002 Chao

(71) Applicant: **SCOSCHE INDUSTRIES, INC.**,  
Oxnard, CA (US)

(Continued)

(72) Inventor: **Christopher Michael McSweyn**,  
Oxnard, CA (US)

**FOREIGN PATENT DOCUMENTS**

CN 201113495 9/2008  
CN 202042680 11/2011

(73) Assignee: **Scosche Industries, Inc.**, Oxnard, CA  
(US)

(Continued)

(\*\*) Term: **15 Years**

**OTHER PUBLICATIONS**

(21) Appl. No.: **29/623,424**

The Original iMagnet Cradle-Less Universal Car Phone Windsheild Dashboard Mount Holder for iPhone 6, 6 Plus, 6S, 6S Plus, 5S 5, Galaxy S6 S5, Note 5 4 3, With Offical iMagnet Logo, iMagnet, Amazon.com, Aug. 19, 2012.

(22) Filed: **Oct. 25, 2017**

(Continued)

(51) **LOC (12) Cl.** ..... **03-01**

(52) **U.S. Cl.**  
USPC ..... **D14/253**

(58) **Field of Classification Search**  
USPC ..... D14/251-253, 358, 432, 434, 440, 447;  
D3/218; D16/242, 243; D12/415;  
D13/107, 108  
CPC ..... A45C 11/00; A45F 5/00; F16M 11/06  
See application file for complete search history.

*Primary Examiner* — Janice Hallmark

(74) *Attorney, Agent, or Firm* — Stetina Brunda Garred & Brucker

(57) **CLAIM**

The ornamental design for a desk attachment for magnetic device mount, as shown and described.

**DESCRIPTION**

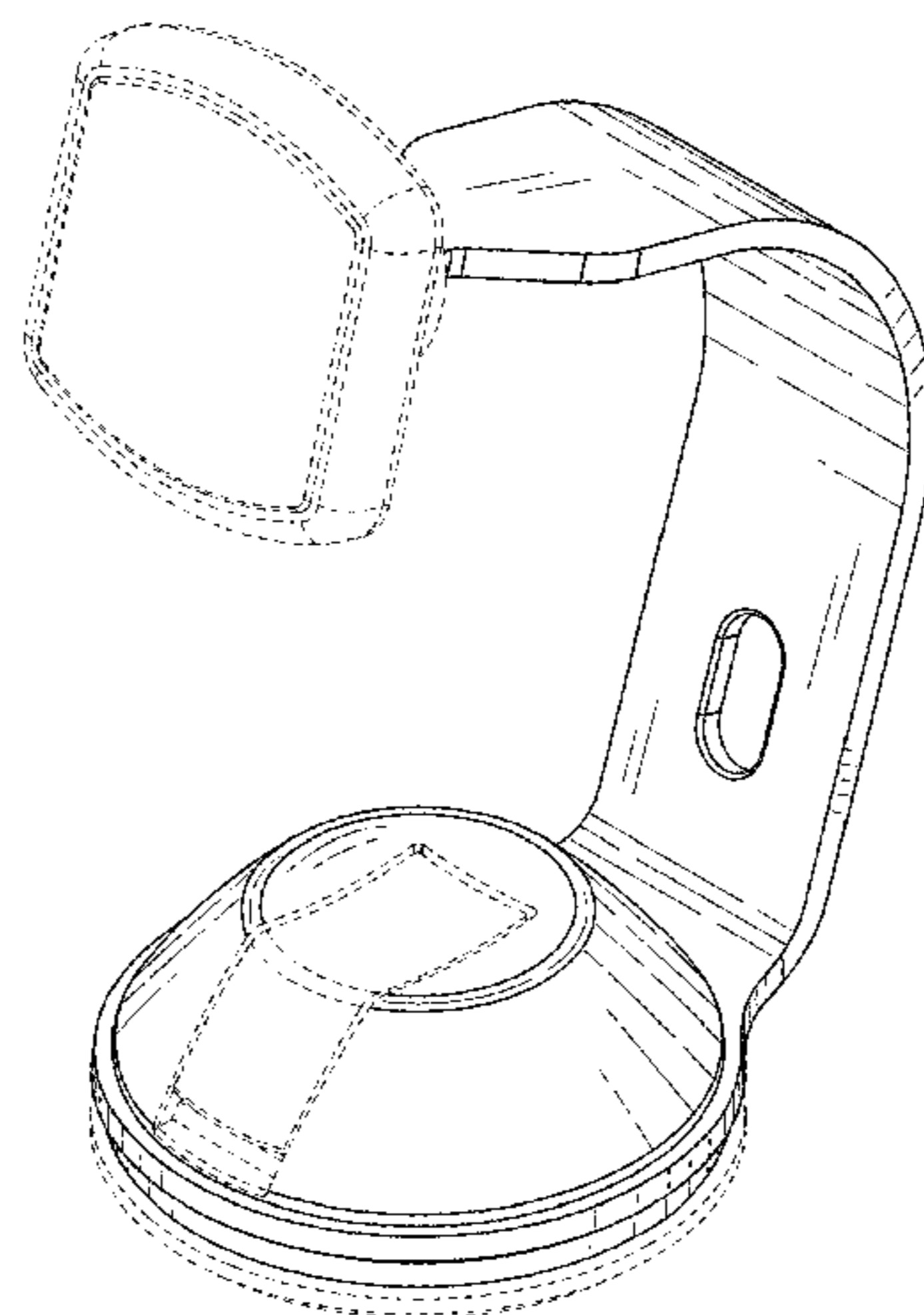
(56) **References Cited**

**U.S. PATENT DOCUMENTS**

3,329,277 A 7/1967 Gaudino  
3,642,122 A 2/1972 Ende  
D306,396 S 3/1990 Brushaber  
D317,697 S 6/1991 Lage  
D327,840 S 7/1992 Askew  
5,213,240 A 5/1993 Dietz et al.  
D362,230 S 9/1995 Yokozawa  
D362,657 S 9/1995 Tomikawa et al.  
D398,796 S 9/1998 Fauchald  
5,992,807 A 11/1999 Tarulli  
6,075,499 A 6/2000 Edwards et al.  
6,076,790 A 6/2000 Richter

FIG. 1 is a front perspective view of a desk attachment for magnetic device mount showing my new design;  
FIG. 2 is a rear perspective view thereof;  
FIG. 3 is a top plan view thereof;  
FIG. 4 is a left side view thereof;  
FIG. 5 is a front view thereof;  
FIG. 6 is right side view thereof;  
FIG. 7 is a rear view thereof; and,  
FIG. 8 is a bottom plan view thereof.  
The broken lines in the drawings depict environmental subject matter and form no part of the claimed design.

**1 Claim, 3 Drawing Sheets**



(56)

References Cited

U.S. PATENT DOCUMENTS

6,502,727 B1 1/2003 Decoteau  
D479,196 S 9/2003 Shih  
D489,578 S 5/2004 Lai  
6,888,940 B1 5/2005 Deppen  
7,021,593 B1 4/2006 Fan  
D521,850 S 5/2006 Richter et al.  
D530,333 S 10/2006 Richter  
D543,439 S 5/2007 Brassard  
D551,058 S 9/2007 Carnevali  
D552,454 S 10/2007 Fynn  
D553,959 S 10/2007 Brassard  
D554,042 S 10/2007 Richter  
D554,491 S 11/2007 Stenberg et al.  
7,296,771 B2 11/2007 Kalis et al.  
D560,592 S 1/2008 Brassard  
D563,309 S 3/2008 Richter  
D565,937 S 4/2008 Tsai  
D567,810 S \* 4/2008 Yeh ..... D14/253  
7,374,142 B2 5/2008 Carnevali  
D570,836 S 6/2008 Chen  
D576,865 S 9/2008 Chiang et al.  
7,431,251 B2 10/2008 Carnevali  
D588,903 S 3/2009 Carnevali  
D590,835 S 4/2009 Richter  
D592,205 S 5/2009 O'Brien  
D600,991 S 9/2009 Lai  
D603,322 S 11/2009 Nicieja  
D604,722 S 11/2009 Mistry  
D609,644 S 2/2010 Lin  
D609,695 S 2/2010 Cigliano  
D613,731 S \* 4/2010 Yeo ..... D14/253  
D614,613 S \* 4/2010 Kim ..... D14/253  
D618,221 S 6/2010 Fahrenдорff  
D638,008 S 5/2011 Richter  
D640,242 S 6/2011 Fahrenдорff  
8,016,255 B2 9/2011 Lin  
D654,493 S \* 2/2012 Baumann ..... D14/253  
D654,874 S 2/2012 Au  
D655,282 S \* 3/2012 Richter ..... D14/253  
D655,283 S \* 3/2012 Richter ..... D14/253  
D655,284 S \* 3/2012 Richter ..... D14/253  
D656,128 S 3/2012 Park  
D656,465 S 3/2012 Au  
D656,899 S 4/2012 Webb et al.  
D657,781 S 4/2012 Yang  
D670,157 S 11/2012 Mo  
D671,074 S 11/2012 Hori et al.  
D677,709 S 3/2013 Skeoch et al.  
D680,541 S \* 4/2013 Lee ..... D14/217  
D681,028 S \* 4/2013 Richter ..... D14/253  
D681,029 S \* 4/2013 Richter ..... D14/253  
D681,867 S 5/2013 Wegger et al.  
D686,595 S 7/2013 Andre et al.  
8,496,222 B2 7/2013 Li  
D687,441 S 8/2013 Janzen  
D692,898 S \* 11/2013 Luijben ..... D14/447  
D694,249 S 11/2013 Akana et al.  
D700,175 S \* 2/2014 Ohm ..... D14/253  
D700,176 S \* 2/2014 Ohm ..... D14/253  
D705,211 S 5/2014 Huang  
D709,066 S 7/2014 Byun  
D709,072 S 7/2014 Askew-Harris et al.  
D713,398 S 9/2014 Alesi et al.  
D715,132 S 10/2014 McSweyn et al.  
D717,289 S \* 11/2014 Takabatake ..... D14/252

D718,295 S \* 11/2014 Fan ..... D14/251  
D718,612 S 12/2014 McSweyn et al.  
D719,146 S \* 12/2014 Herbst ..... D14/253  
D719,959 S 12/2014 Vogel  
D724,072 S \* 3/2015 Jiang ..... D14/253  
D727,259 S 4/2015 Hwang  
D730,723 S \* 6/2015 McSweyn ..... D8/363  
D733,697 S \* 7/2015 Palan ..... D14/253  
D735,132 S 7/2015 Donohue, II et al.  
D761,769 S 7/2016 Harper  
D772,203 S 11/2016 Zeng  
D778,713 S 2/2017 McSweyn  
D782,415 S 3/2017 Zhang  
D792,380 S 7/2017 Harper  
D799,468 S \* 10/2017 Chen ..... D14/253  
D801,414 S \* 10/2017 Martin ..... D16/242  
D817,317 S \* 5/2018 Lee ..... D14/253  
D819,015 S \* 5/2018 Lee ..... D14/253  
D820,663 S \* 6/2018 Jang ..... D8/349  
D824,378 S \* 7/2018 Sukphisit ..... D14/253  
D825,545 S \* 8/2018 McSweyn ..... D14/253  
D832,248 S \* 10/2018 Sukphist ..... D14/253  
D832,276 S \* 10/2018 Miles ..... D14/451  
D832,859 S \* 11/2018 Charlesworth ..... D14/451  
D833,449 S \* 11/2018 Khubani ..... D14/447  
D842,850 S \* 3/2019 Tang ..... D14/253  
2005/0092875 A1 5/2005 Carnevali  
2006/0290654 A1 12/2006 Wang  
2007/0018064 A1 1/2007 Wang  
2008/0023606 A1 1/2008 Kalis et al.  
2011/0192857 A1 8/2011 Rothbaum et al.  
2012/0229300 A1 9/2012 Fu  
2012/0292463 A1 11/2012 Burns  
2012/0295451 A1 11/2012 Kim et al.  
2013/0043827 A1 2/2013 Weinstein et al.  
2013/0187020 A1 7/2013 Trotsky  
2014/0346295 A1 11/2014 Song  
2014/0357094 A1 12/2014 Kim  
2015/0207351 A1 7/2015 Hambrun et al.  
2015/0288205 A1 10/2015 Weinstein  
2018/0159369 A1 \* 6/2018 McSweyn ..... H02J 50/10

FOREIGN PATENT DOCUMENTS

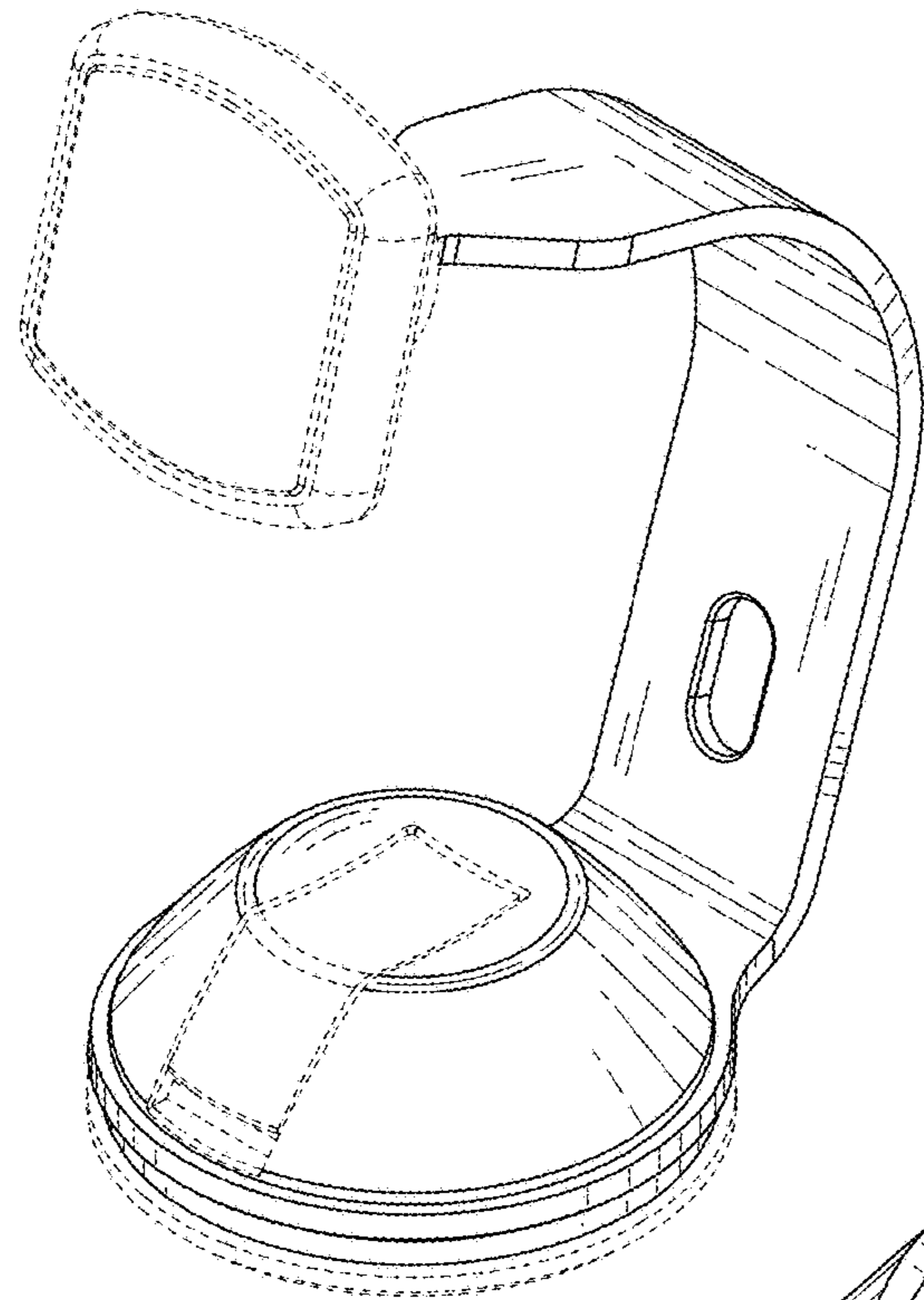
CN 203416030 1/2014  
CN 203193688 11/2015  
JP 2000231910 11/2015

OTHER PUBLICATIONS

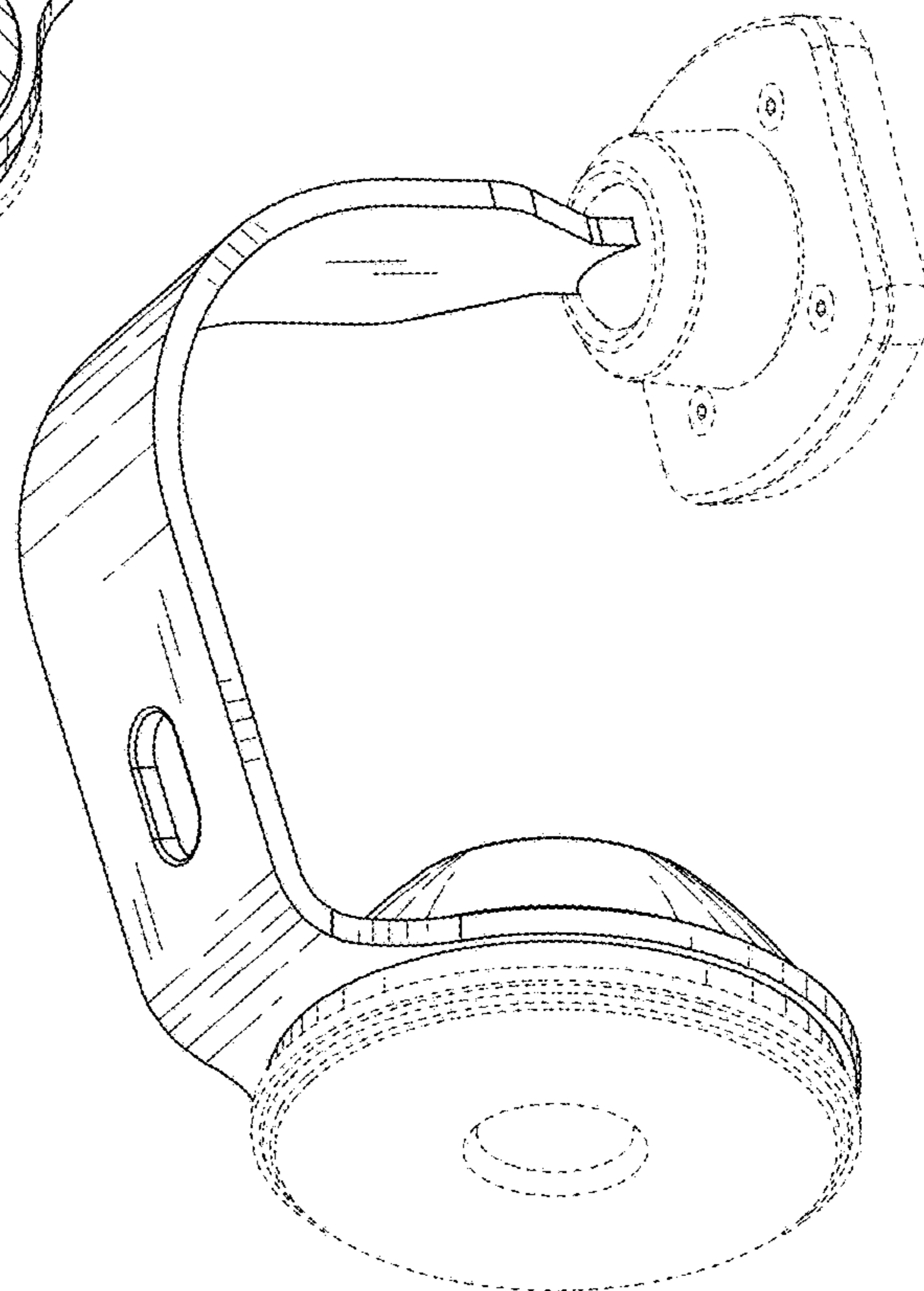
Mounts posted by Scoshe found on Sep. 27, 2016 at <http://www.scoshe.com/consumer-tech/mounts>.  
Magnetic Nanoport links phones to accessories, cars, each other; Jan. 7, 2014 <http://www.cnet.com/news/magnetic-nanoport-links-phones-to-accessories-cars-each-other/>.  
Clever smartphone case offers an ingenious way to charge your phone on the go; Jun. 20, 2014 <http://bgr.com/2014/06/20/best-smartphone-accessories-zolo/>.  
Logitech Case+ Review: Brilliant iPhone Case Concept, Flawed Execution; May 13, 2014 <http://time.com/98112/logitech-case-plus-review/>.  
Scoshe Magic Mount Pro Home Qi, Scoshe published on Jan. 30, 2017 on [twice.com](http://twice.com), retrieved from the Internet URL: <http://www.twice.com/twice-picks-award-sinner-scoshe-mpqhd-magicmount-pro-home-qi/64136>.

\* cited by examiner





**FIG. 1**



**FIG. 2**

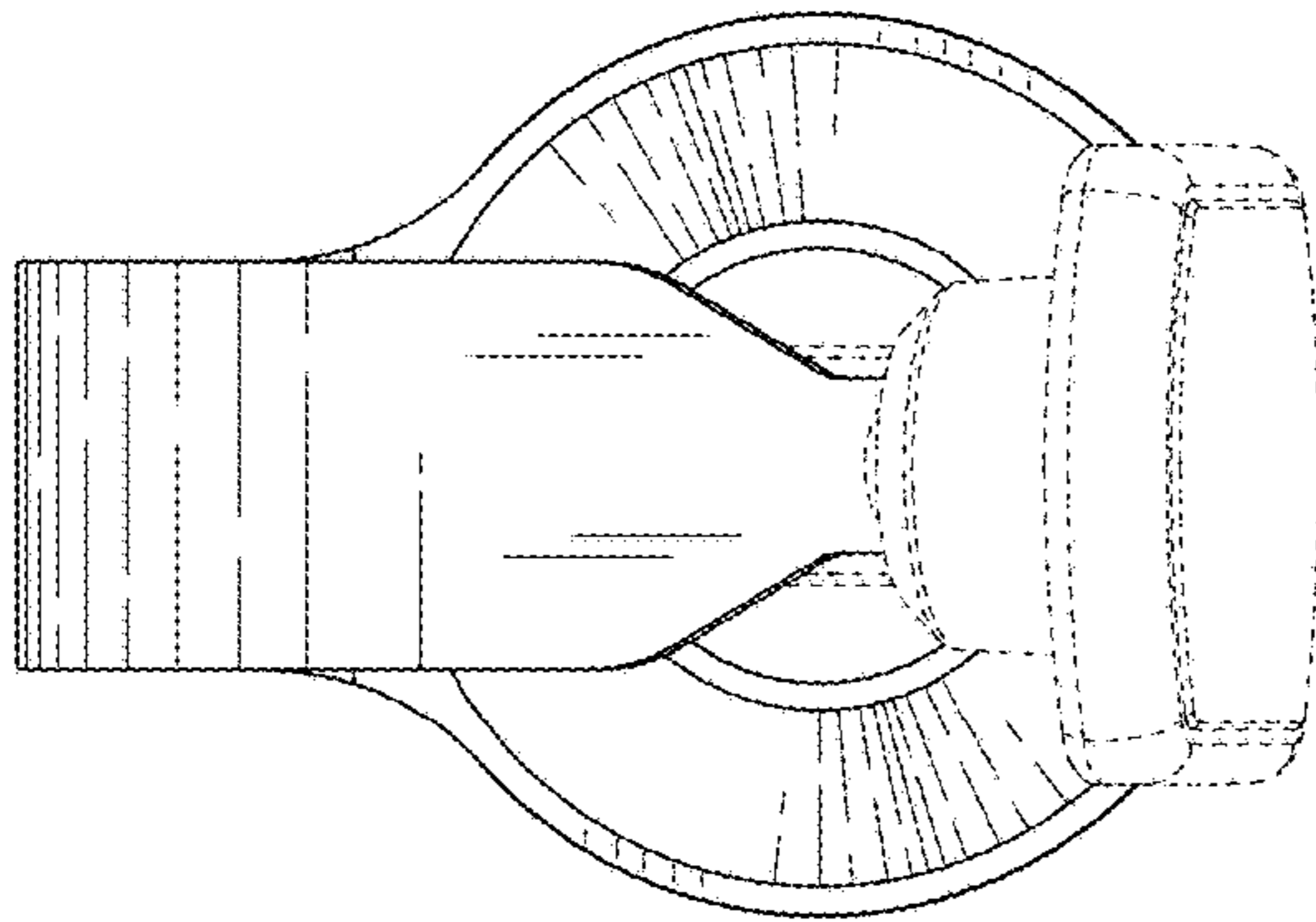


FIG. 3

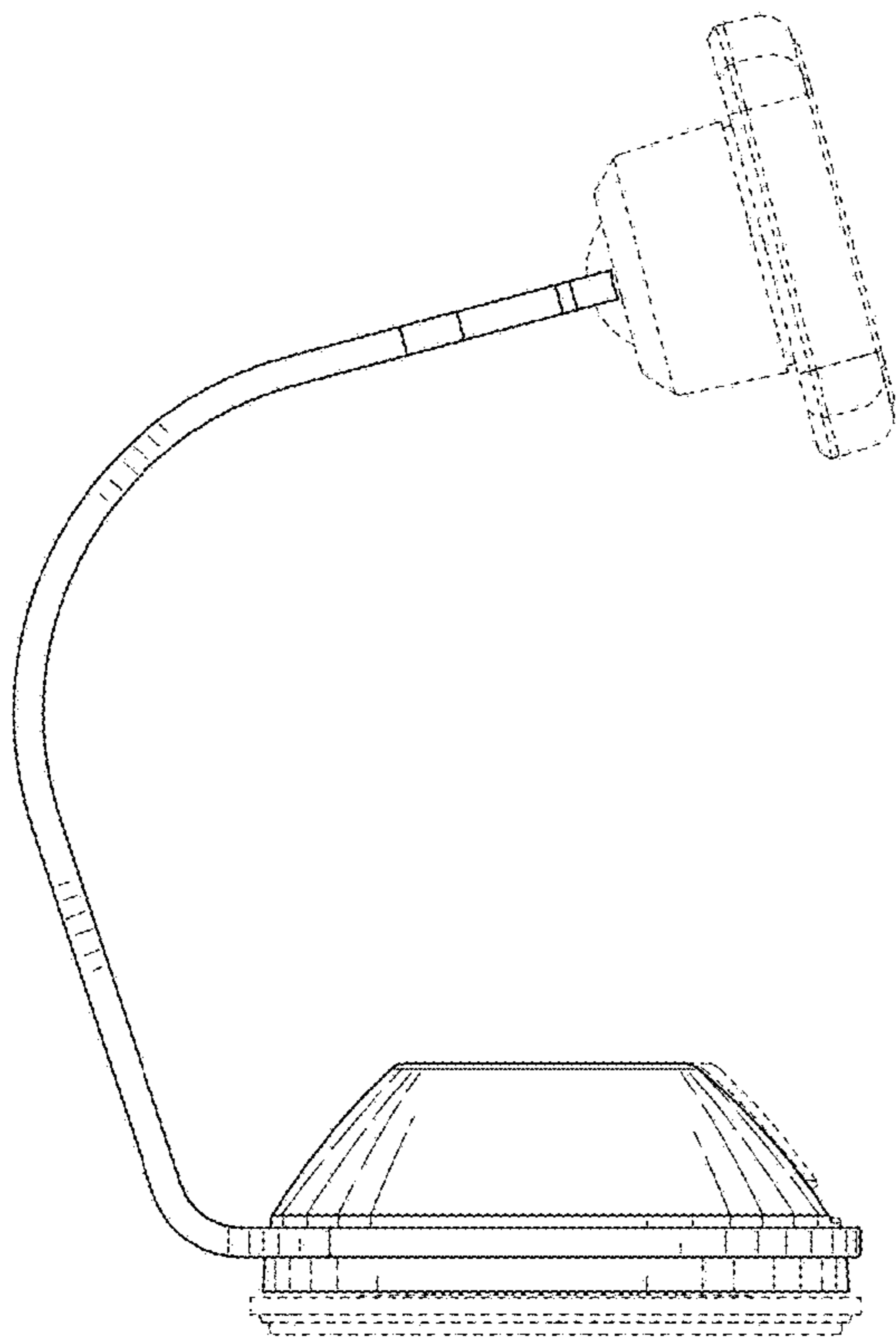


FIG. 4

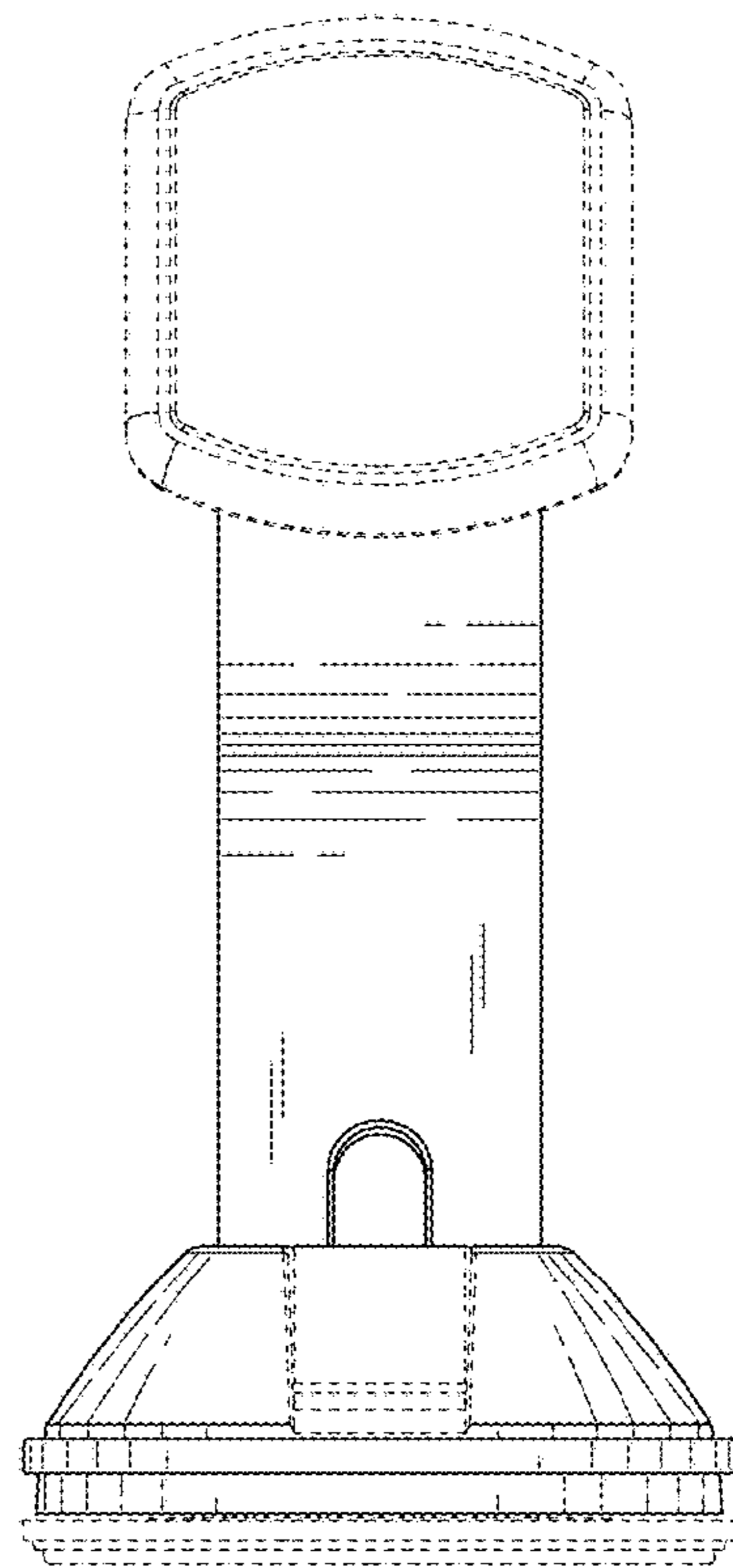


FIG. 5

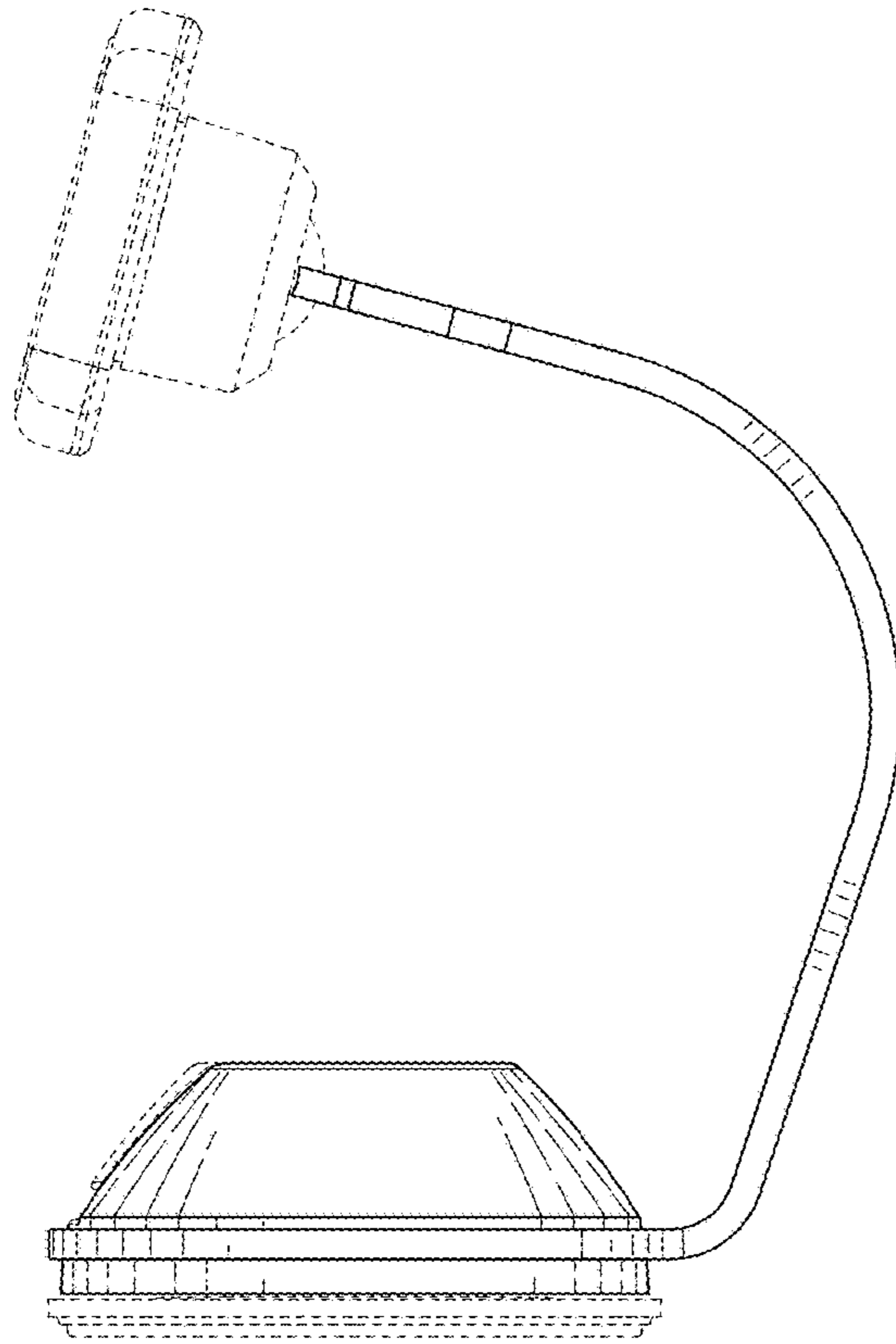


FIG. 6

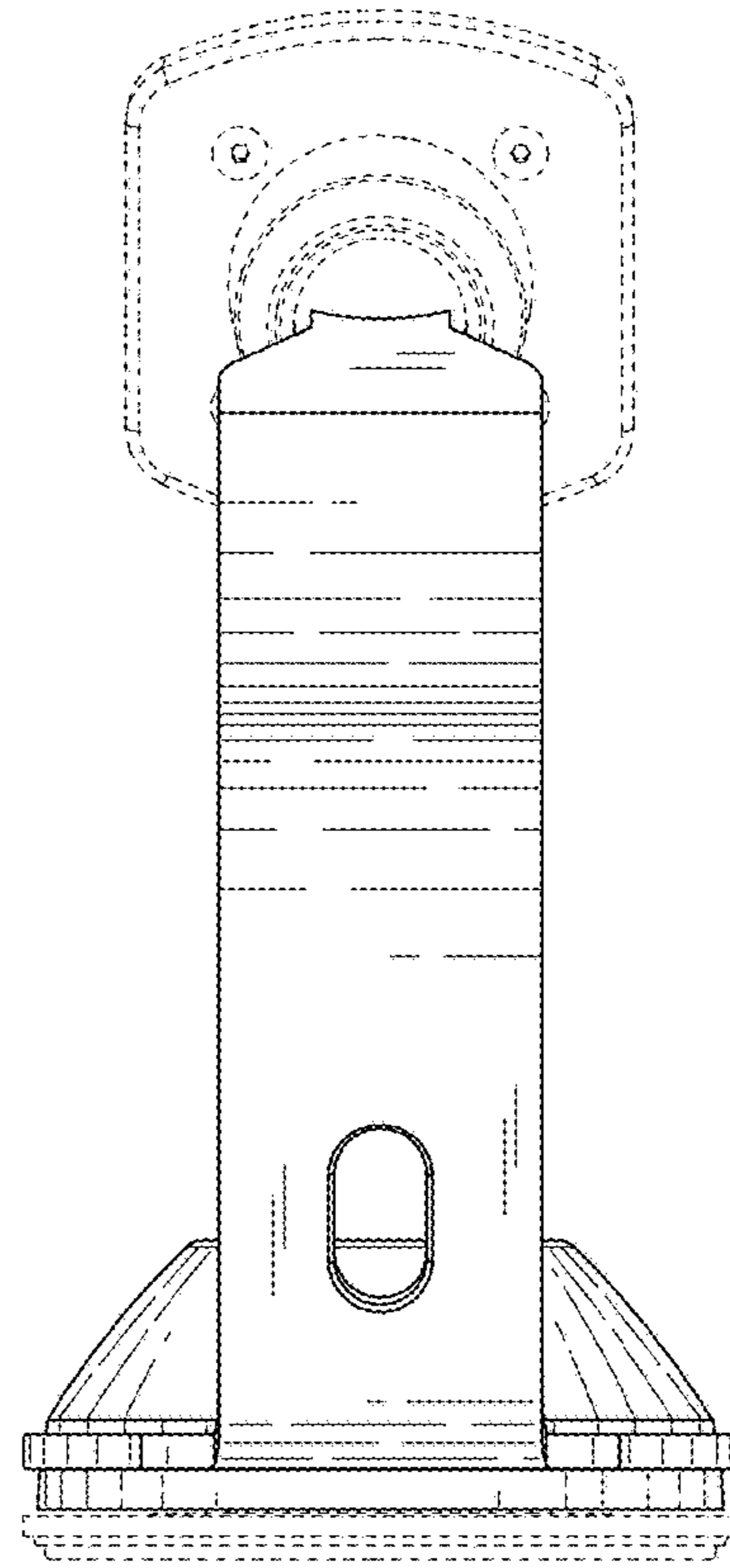


FIG. 7

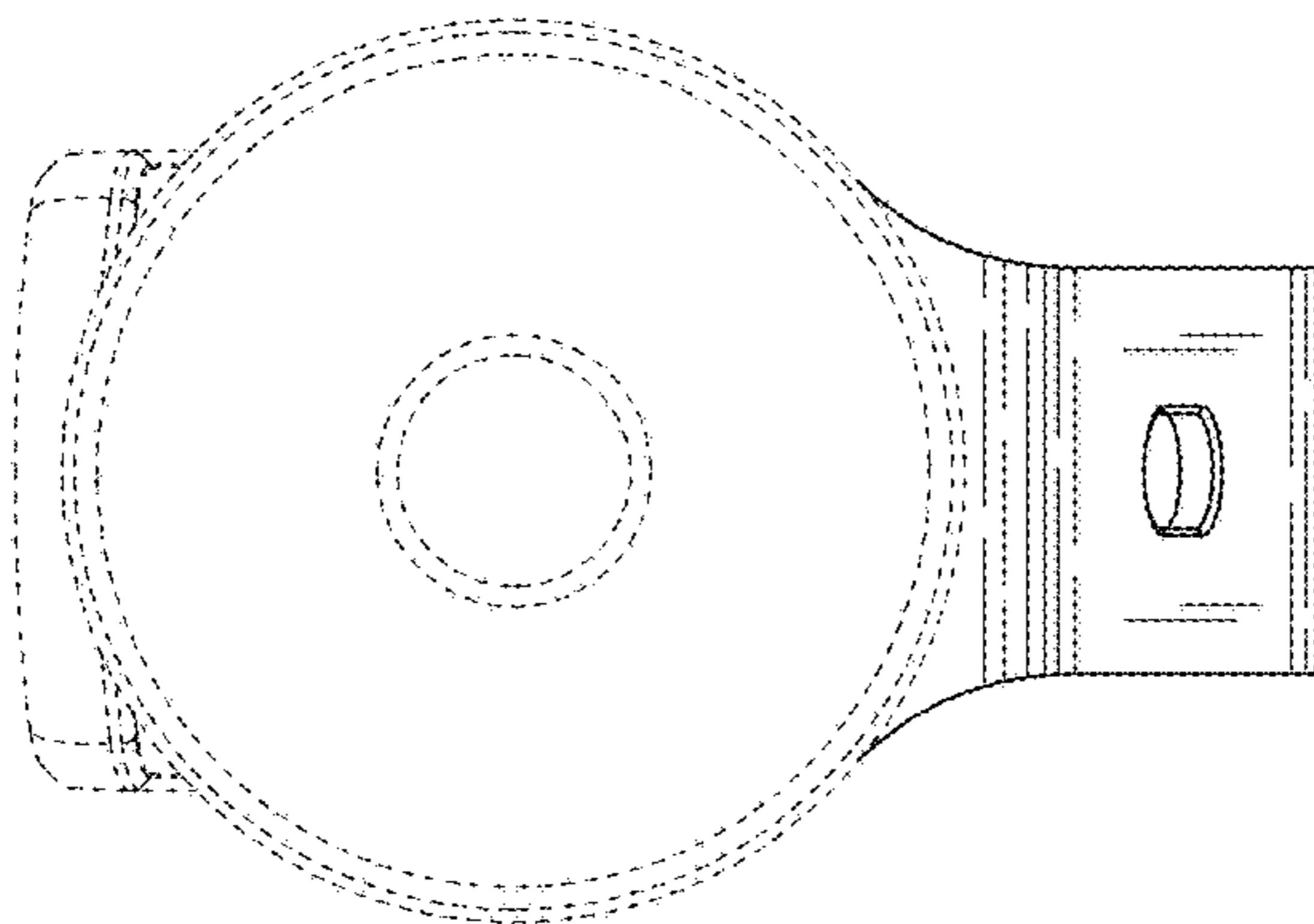


FIG. 8