



US00D870080S

(12) **United States Design Patent**  
**Zeng**

(10) **Patent No.:** **US D870,080 S**

(45) **Date of Patent:** **\*\* Dec. 17, 2019**

(54) **WIRELESS HEADSET**

(71) Applicant: **GN AUDIO A/S**, Ballerup (DK)

(72) Inventor: **Bill Zeng**, Xiamen (CN)

(73) Assignee: **GN AUDIO A/S** (DK)

(\*\*) Term: **15 Years**

(21) Appl. No.: **29/611,094**

(22) Filed: **Jul. 18, 2017**

(30) **Foreign Application Priority Data**

Feb. 1, 2017 (EM) ..... 003734078-0001

(51) **LOC (12) Cl.** ..... **14-01**

(52) **U.S. Cl.**

USPC ..... **D14/223**; D14/205

(58) **Field of Classification Search**

USPC .... D14/203.1, 204–206, 208–210, 212, 213,  
D14/214–217, 219, 221, 222, 223–225,  
D14/249, 372, 433, 138 R, 182, 188,  
D14/191–194, 172, 496; D29/112;  
D12/195, 192, 204, 203; D2/875;  
D24/173–175, 106; D3/294, 273;  
D13/108; D8/61, 107

CPC ..... H04R 25/02; H04R 25/00; H04R 1/10;  
H04R 1/1016; H04R 1/105; H04R  
1/1083; H04R 1/02; H04R 1/1041; H04R  
5/033; H04R 7/00; H04R 2420/07; H04R  
2430/01; H04R 25/65; H04R 25/656;  
H04R 25/658; H04R 27/00; H04R  
2205/021; H04R 1/28; H04R 1/05; H04R  
5/0335; A61F 11/00; A61F 11/06; A61F  
11/08; A61F 11/12; A61F 11/14

See application file for complete search history.

(56) **References Cited**

**U.S. PATENT DOCUMENTS**

D294,071 S \* 2/1988 Lallerstedt ..... D28/59  
D299,413 S \* 1/1989 DeCarolis ..... D8/107

D301,070 S \* 5/1989 Lallerstedt ..... D28/59  
D305,975 S \* 2/1990 Emmerling ..... D4/199  
D313,789 S \* 1/1991 Thundercloud ..... D12/203

(Continued)

**FOREIGN PATENT DOCUMENTS**

CN 304151001 \* 5/2017  
CN 304317801 \* 10/2017

(Continued)

**OTHER PUBLICATIONS**

Plantronics Explorer 500, Oct. 26, 2018 [online], [retrieved Apr. 8, 2019], Available from Internet, URL: <<https://www.expertreviews.co.uk/headsets/1406653/best-bluetooth-headsets-phone-headsfree>>.\*

(Continued)

*Primary Examiner* — T Chase Nelson

*Assistant Examiner* — Mary Claire Ramirez

(74) *Attorney, Agent, or Firm* — Hamre, Schumann,  
Mueller & Larson, P.C.

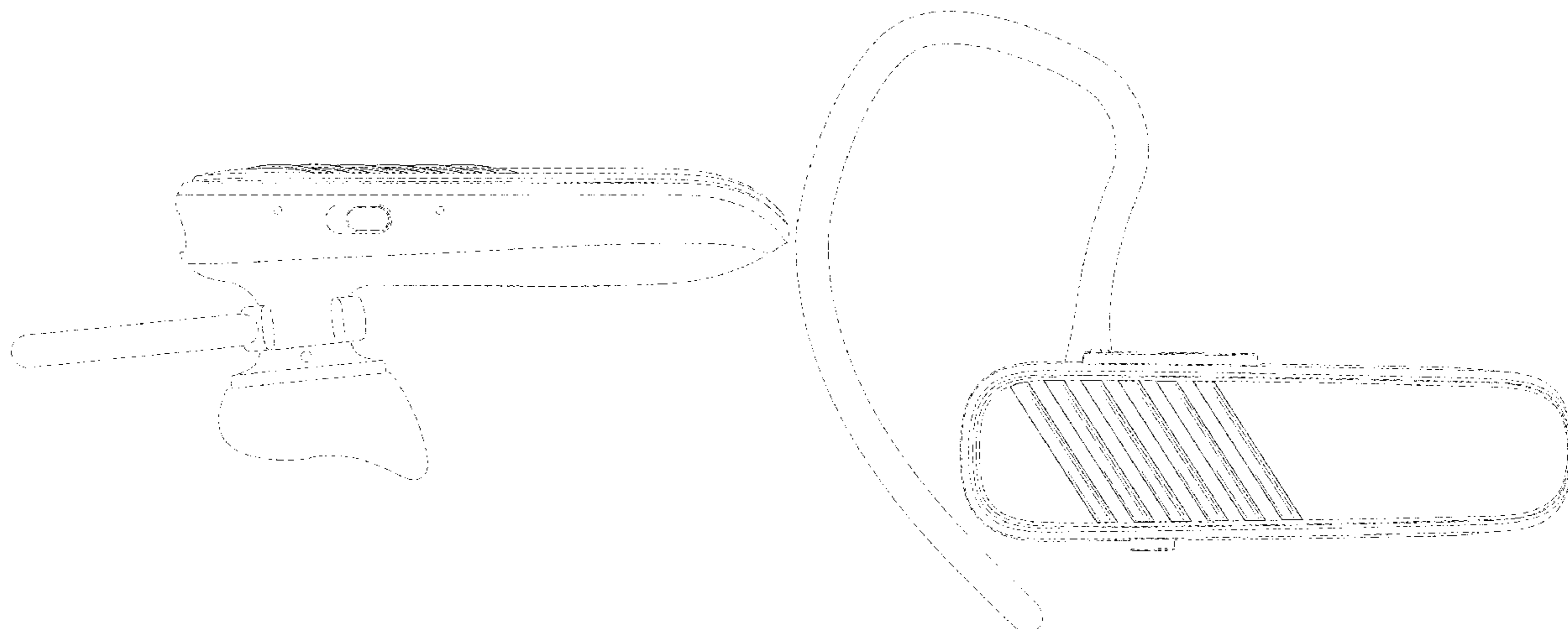
(57) **CLAIM**

The ornamental design for a wireless headset, as shown and described.

**DESCRIPTION**

FIG. 1 is a perspective view of a wireless headset showing the new design;  
FIG. 2 is a front elevational view thereof;  
FIG. 3 is a rear elevational view thereof;  
FIG. 4 is a left side elevational view thereof;  
FIG. 5 is a right side elevational view thereof;  
FIG. 6 is a top planar view thereof; and,  
FIG. 7 is a bottom planar view thereof.  
The broken lines shown in the drawings depict portions of the wireless headset that form no part of the claimed design.

**1 Claim, 5 Drawing Sheets**



(56)

References Cited

U.S. PATENT DOCUMENTS

D314,772 S \* 2/1991 Pierce ..... D14/137  
 D319,378 S \* 8/1991 Wilcox ..... D8/107  
 D328,069 S \* 7/1992 Langton ..... D14/137  
 D343,344 S \* 1/1994 Chapin ..... D8/61  
 D352,881 S \* 11/1994 Schmidt ..... D8/107  
 D364,226 S \* 11/1995 Hartmann ..... D24/147  
 D379,355 S \* 5/1997 Larson ..... D14/219  
 D389,014 S \* 1/1998 Hasegawa ..... D7/401.2  
 D393,238 S \* 4/1998 Kraines ..... D12/203  
 D400,882 S \* 11/1998 Chen ..... D14/214  
 D455,383 S \* 4/2002 Sneed ..... D12/203  
 D511,732 S \* 11/2005 Hussaini ..... D12/203  
 D519,898 S \* 5/2006 Hussaini ..... D12/203  
 D532,275 S \* 11/2006 Lin ..... D8/107  
 D538,271 S \* 3/2007 Kim ..... D14/223  
 D538,792 S \* 3/2007 Kim ..... D14/223  
 D542,204 S \* 5/2007 Lu ..... D12/203  
 D551,498 S \* 9/2007 Schmidt ..... D7/395  
 D551,653 S \* 9/2007 Nohara ..... D14/167  
 D552,430 S \* 10/2007 Chen ..... D7/649  
 D562,751 S \* 2/2008 Lu ..... D12/203  
 D563,189 S \* 3/2008 Gringer ..... D8/107  
 D568,876 S \* 5/2008 Tsai ..... D14/223  
 D582,897 S \* 12/2008 Christopher ..... D14/223  
 D603,378 S \* 11/2009 Paradise ..... D14/223  
 D603,672 S \* 11/2009 Baxter ..... D8/5  
 D613,226 S \* 4/2010 Lu ..... D12/203  
 D622,265 S \* 8/2010 Rye ..... D14/223  
 D634,305 S \* 3/2011 Hoggarth ..... D14/223  
 D637,184 S \* 5/2011 March ..... D14/223  
 D638,270 S \* 5/2011 Flattinger ..... D8/107  
 D640,242 S \* 6/2011 Fahrendorff ..... D14/223  
 D647,382 S \* 10/2011 Flattinger ..... D8/107  
 D649,957 S \* 12/2011 Fahrendorff ..... D14/223  
 D656,490 S \* 3/2012 Birger ..... D14/223  
 D657,781 S \* 4/2012 Yang ..... D14/223  
 D663,722 S \* 7/2012 Chang ..... D14/223  
 D691,120 S \* 10/2013 Koch ..... D14/223  
 D709,982 S \* 7/2014 Freeman ..... D22/118  
 D710,830 S \* 8/2014 Birger  
 D719,433 S \* 12/2014 Cooper ..... D16/135

8,938,883 B2 \* 1/2015 Gringer ..... B26B 1/048  
 30/155  
 D746,267 S \* 12/2015 Birger ..... D14/223  
 D761,075 S \* 7/2016 Masalin ..... D8/107  
 D761,769 S \* 7/2016 Harper ..... D14/223  
 D772,203 S \* 11/2016 Zeng ..... D14/223  
 D779,462 S \* 2/2017 Birger ..... D14/223  
 D781,018 S \* 3/2017 Evans ..... D32/55  
 D787,478 S \* 5/2017 Wu ..... D14/223  
 D792,379 S \* 7/2017 Harper ..... D14/223  
 D792,380 S \* 7/2017 Harper ..... D14/223  
 D793,317 S \* 8/2017 Alesi ..... D12/203  
 D793,368 S \* 8/2017 Harper ..... D14/223  
 D793,933 S \* 8/2017 Alesi ..... D12/203  
 D793,936 S \* 8/2017 Alesi ..... D12/203  
 D800,623 S \* 10/2017 Alesi ..... D12/203  
 D800,624 S \* 10/2017 Alesi ..... D12/203  
 D813,136 S \* 3/2018 Gross ..... D12/203  
 D820,756 S \* 6/2018 Alesi ..... D12/203  
 D822,407 S \* 7/2018 Rodenberger ..... D6/583  
 D823,088 S \* 7/2018 Lefavour ..... D8/68  
 D823,829 S \* 7/2018 Birger ..... D14/206  
 D826,480 S \* 8/2018 Bohline ..... D30/120  
 D829,166 S \* 9/2018 Lahiri ..... D13/108  
 D832,669 S \* 11/2018 Dretzka ..... D8/61  
 D835,487 S \* 12/2018 Wason ..... D8/61  
 2011/0261988 A1 \* 10/2011 Kromann ..... H04R 1/1016  
 381/380  
 2012/0189133 A1 \* 7/2012 Kari ..... H04R 1/1041  
 381/74  
 2017/0164086 A1 \* 6/2017 Harper ..... H04R 1/105

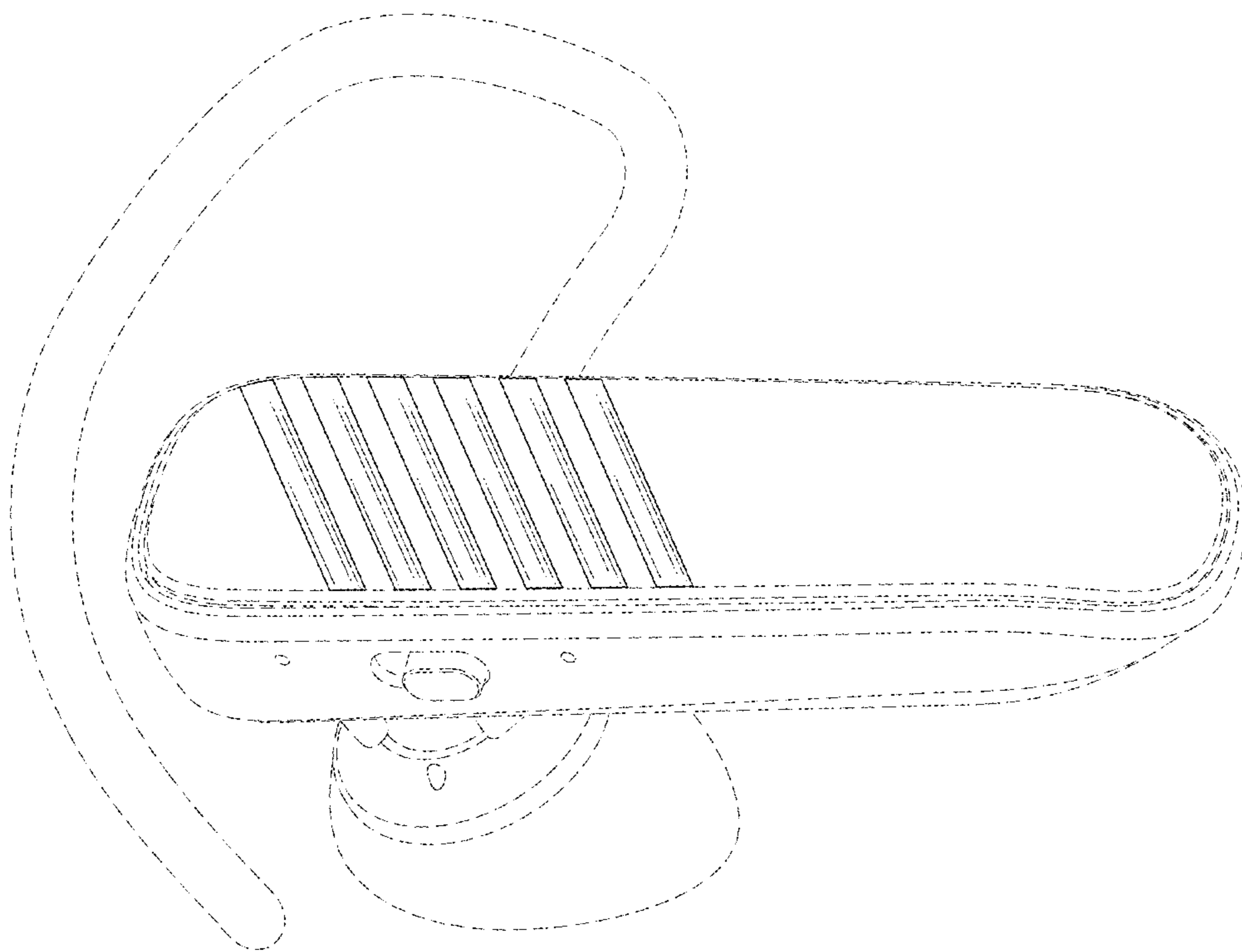
FOREIGN PATENT DOCUMENTS

CN 304353917 \* 11/2017  
 EM 001728148-0003 \* 7/2010

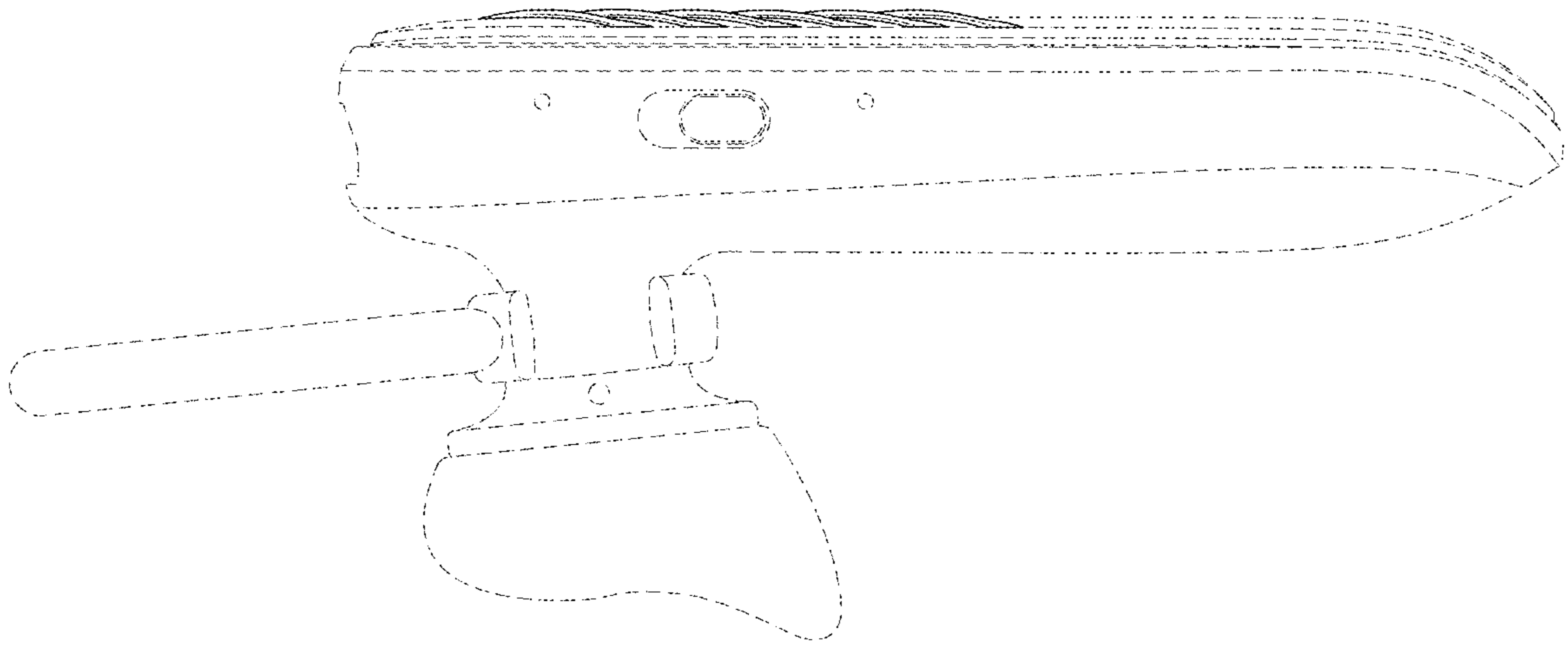
OTHER PUBLICATIONS

Jabra Talk 2, Nov. 30, 2018 [online], [retrieved Apr. 8, 2019], Available from Internet, URL: <<https://www.reviews.com/bluetooth-headset/>>.\*

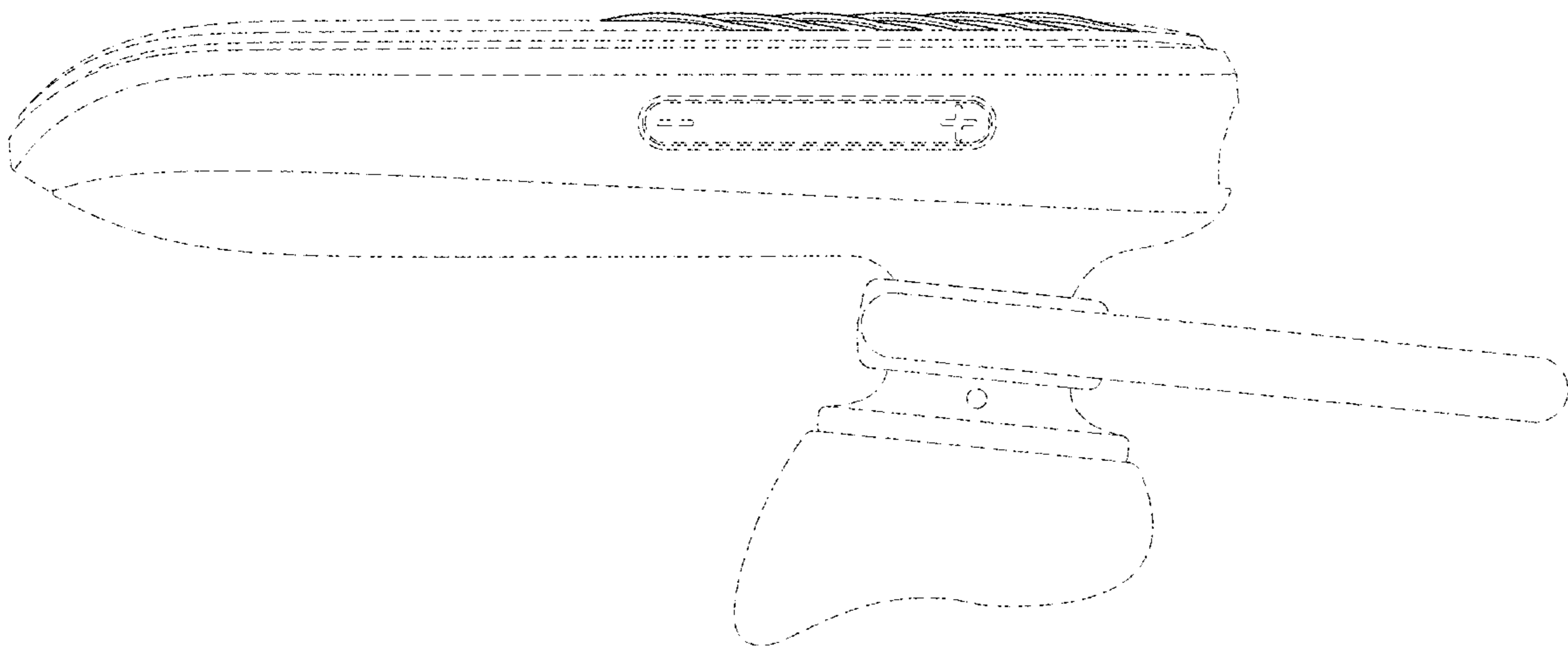
\* cited by examiner



**FIG. 1**

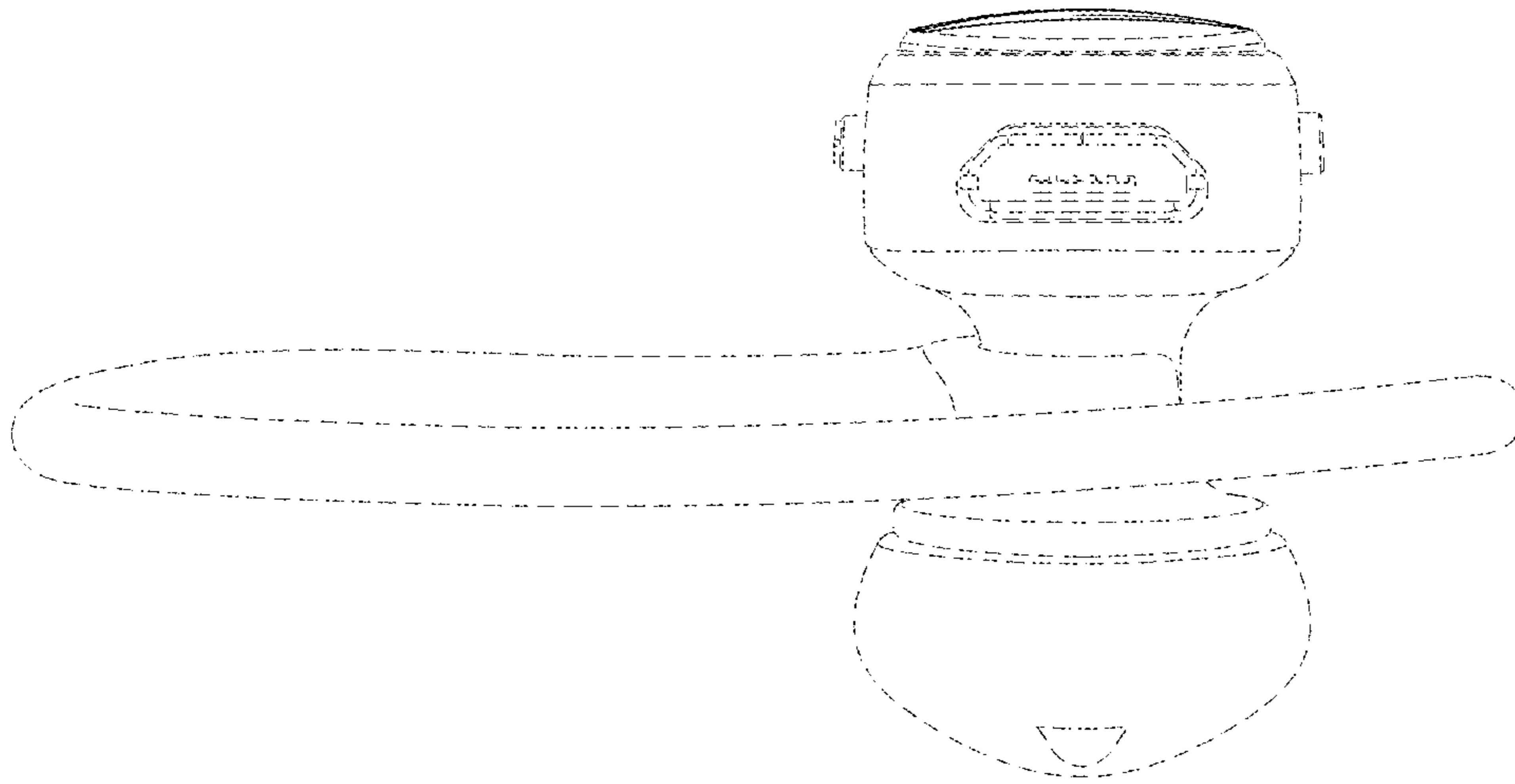


**FIG. 2**

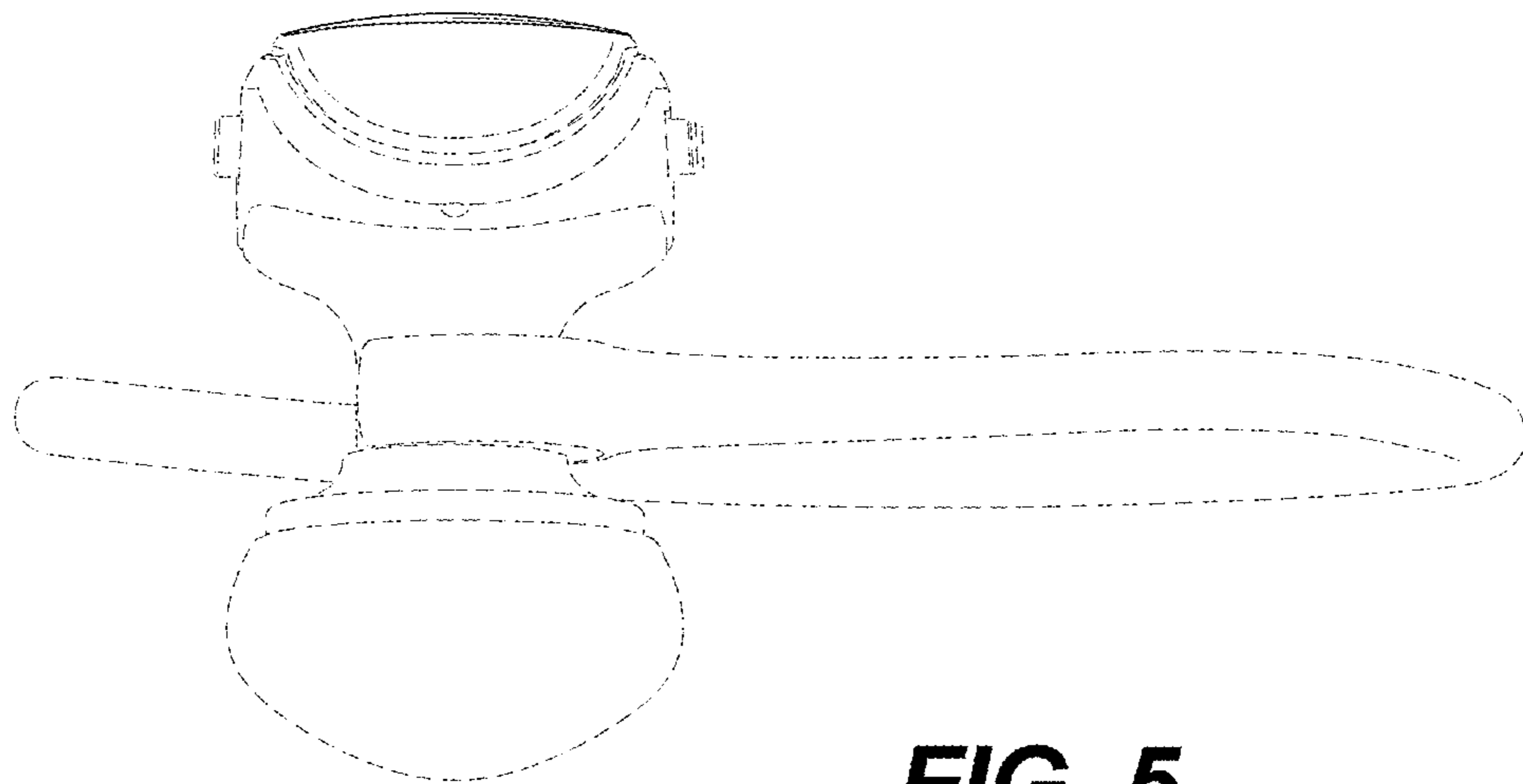


**FIG. 3**

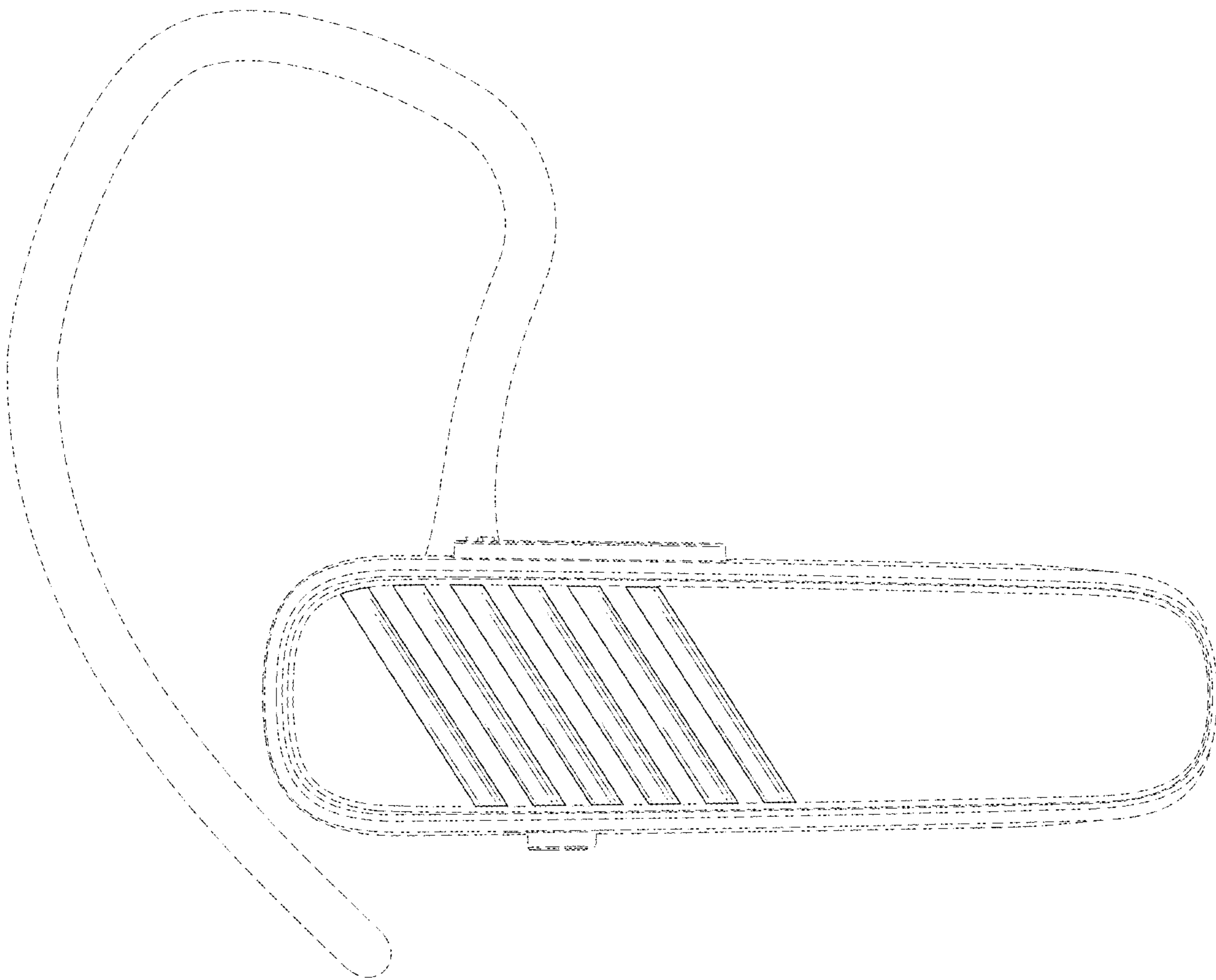




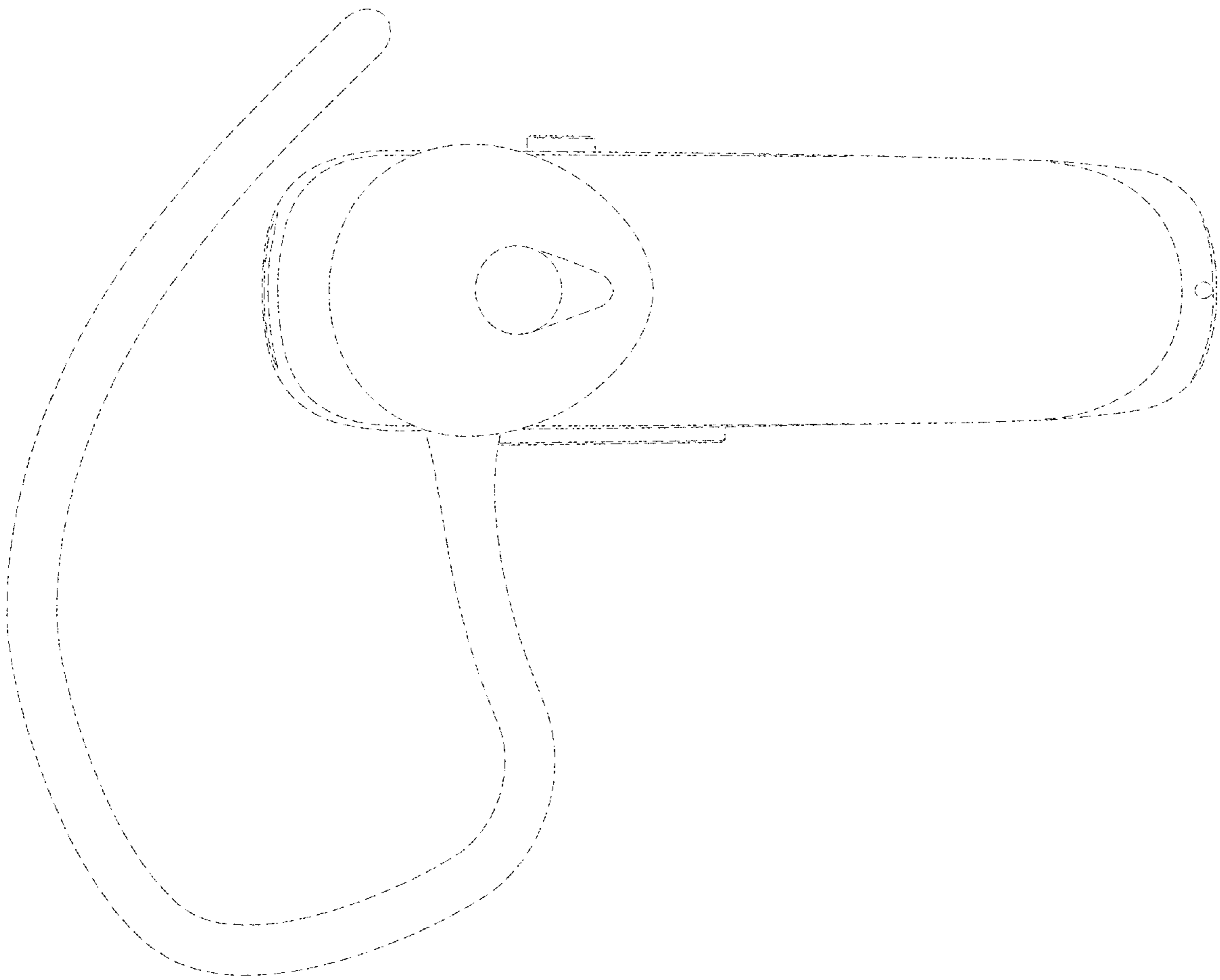
**FIG. 4**



**FIG. 5**



**FIG. 6**



**FIG. 7**