



US00D870074S

(12) **United States Design Patent**
Valeur

(10) **Patent No.:** **US D870,074 S**

(45) **Date of Patent:** **** Dec. 17, 2019**

(54) **LOUDSPEAKER**

(71) Applicant: **Bang & Olufsen A/S**, Struer (DK)

(72) Inventor: **Torsten Valeur**, København V (DK)

(73) Assignee: **Bang & Olufsen A/S**, Struer (DK)

(**) Term: **15 Years**

(21) Appl. No.: **29/630,728**

(22) Filed: **Dec. 22, 2017**

(30) **Foreign Application Priority Data**

Jun. 27, 2017 (EM) 004069193-0004

(51) **LOC (12) Cl.** **14-01**

(52) **U.S. Cl.**
USPC **D14/214**

(58) **Field of Classification Search**

USPC D14/167, 168, 170–172, 188, 194–196,
D14/204, 209.1, 210–216, 219, 221, 222,
D14/224, 239, 496

CPC B60R 11/0217; G06F 1/1688; G10K 9/22;
G10K 11/004; H03F 1/327; H04M 1/03;
H04M 1/035; H04N 5/642; H04N
21/4852; H04R 1/02; H04R 1/06; H04R
1/021; H04R 1/025; H04R 1/026; H04R
1/028; H04R 1/105; H04R 1/323; H04R
1/403; H04R 1/2803; H04R 1/2834;
H04R 5/02; H04R 7/20; H04R 9/06;
H04R 9/025; H04R 2201/021; H04R
2400/00; H04R 2400/07; H04R 2499/11;
H04R 2499/13; H04R 2499/15; H04S
3/00; H04S 7/30

See application file for complete search history.

(56) **References Cited**

U.S. PATENT DOCUMENTS

D540,275 S * 4/2007 Lewis D14/126
D558,736 S * 1/2008 Kita D14/126

D645,449 S * 9/2011 Kusuki D14/214
D703,191 S * 4/2014 Woo D14/204
D715,763 S * 10/2014 Ryu D14/204
D726,148 S * 4/2015 Ahn D14/209.1
D772,832 S * 11/2016 Han D14/126
D819,601 S * 6/2018 Won D14/216
D823,831 S * 7/2018 Kim D14/215
D823,832 S * 7/2018 Kim D14/215
D826,214 S * 8/2018 Kim D14/210

(Continued)

OTHER PUBLICATIONS

9To5Toys.com; Daugherty, Trever—“Bang & Olufsen showcases new OLED 4K TV with AirPlay and more built-in”, dated Aug. 30, 2017 [online], [site visited Nov. 18, 2018], Available from internet, URL: <https://9to5toys.com/2017/08/30/bang-olufsen-4k-tv-ifa/>, 3p. (Year: 2017).*

Primary Examiner — Keli L Hill

(74) *Attorney, Agent, or Firm* — Dykema Gossett PLLC

(57) **CLAIM**

The ornamental design for a loudspeaker, as shown and described.

DESCRIPTION

FIG. 1 is an isometric view of the top, front, and left side of a loudspeaker.

FIG. 2 is a front plan view of the loudspeaker of FIG. 1.

FIG. 3 is a right side plan view of the loudspeaker of FIG. 1.

FIG. 4 is a rear plan view of the loudspeaker of FIG. 1.

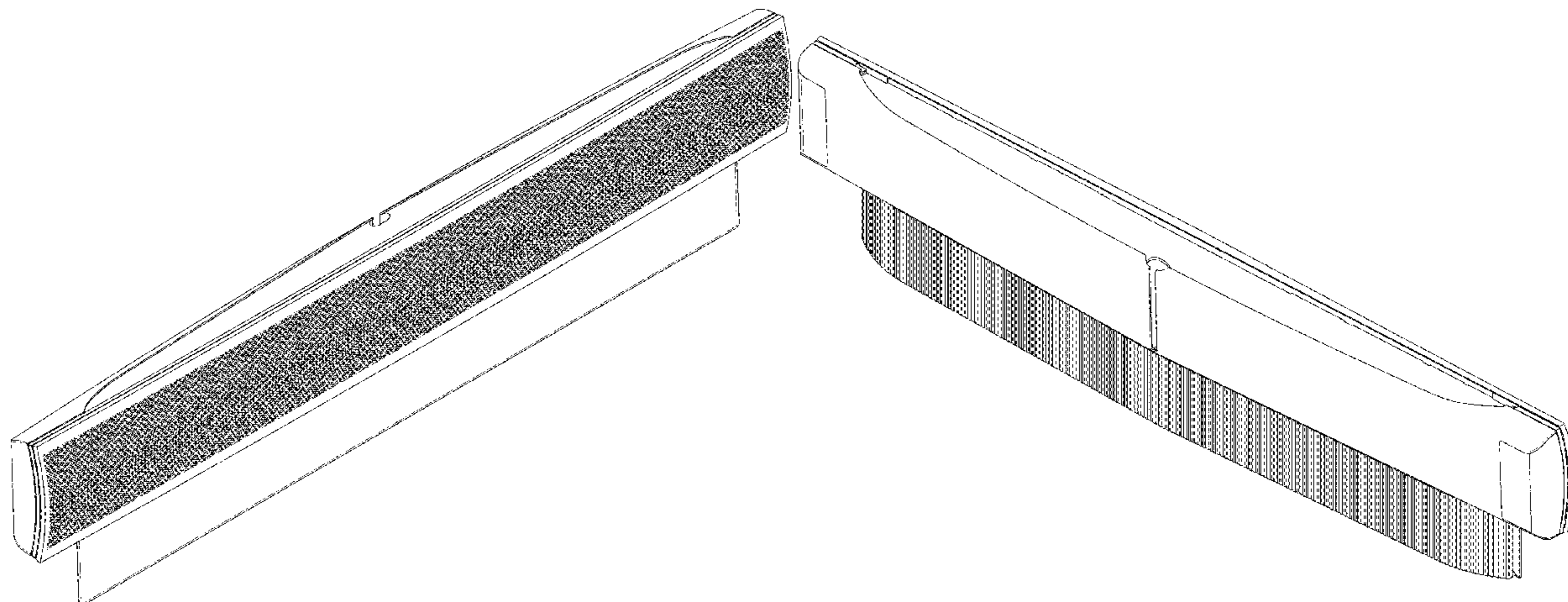
FIG. 5 is an isometric view of the top, rear, and right side of the loudspeaker of FIG. 1.

FIG. 6 is a left side plan view of the loudspeaker of FIG. 1.

FIG. 7 is a top plan view of the loudspeaker of FIG. 1; and,

FIG. 8 is a duplicate top plan perspective view with the unclaimed television environment of the loudspeaker of FIG. 1.

1 Claim, 8 Drawing Sheets



(56)

References Cited

U.S. PATENT DOCUMENTS

D826,877 S * 8/2018 Kim D14/125
D836,577 S * 12/2018 Kim D14/125
D836,607 S * 12/2018 Kim D14/216

* cited by examiner

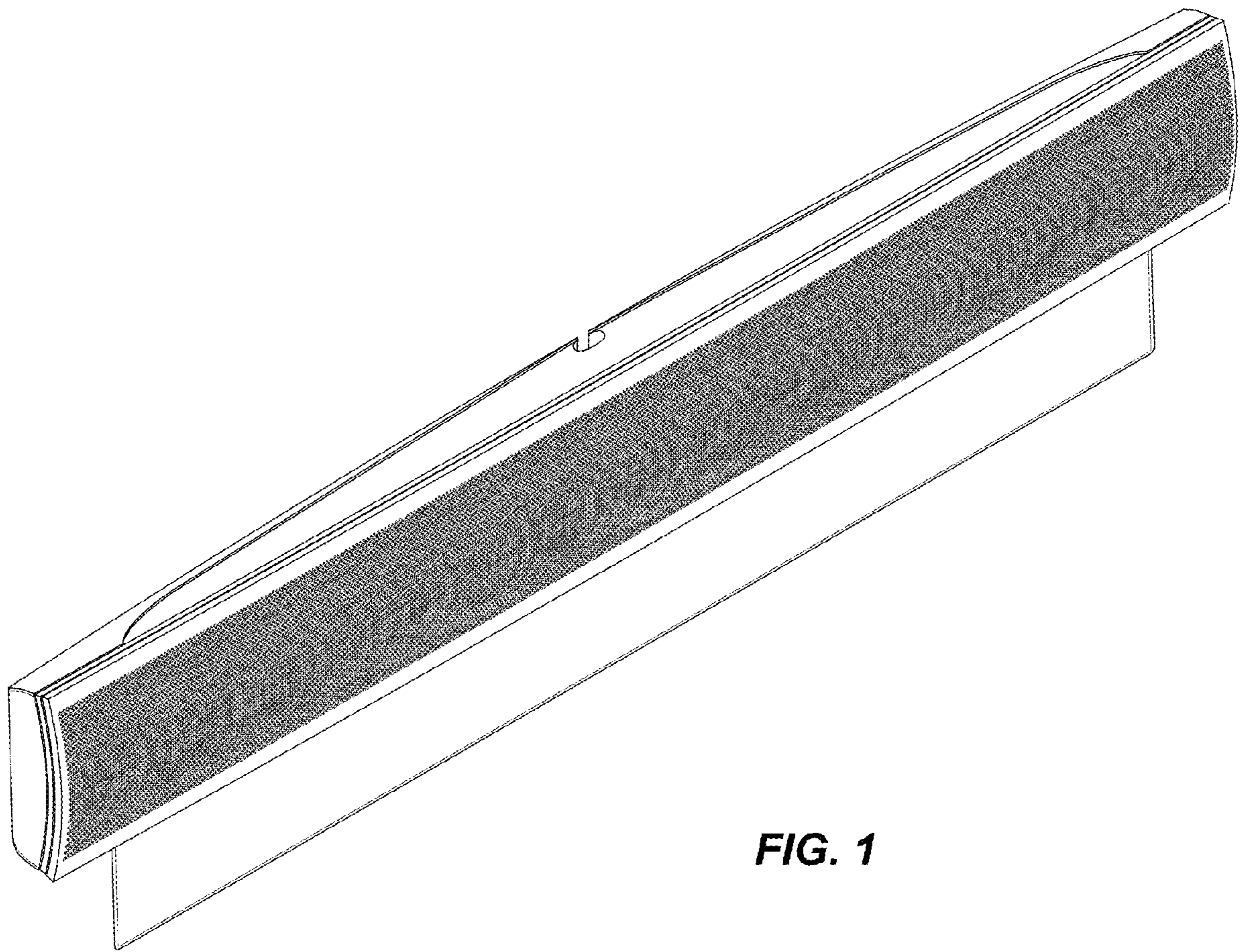


FIG. 1

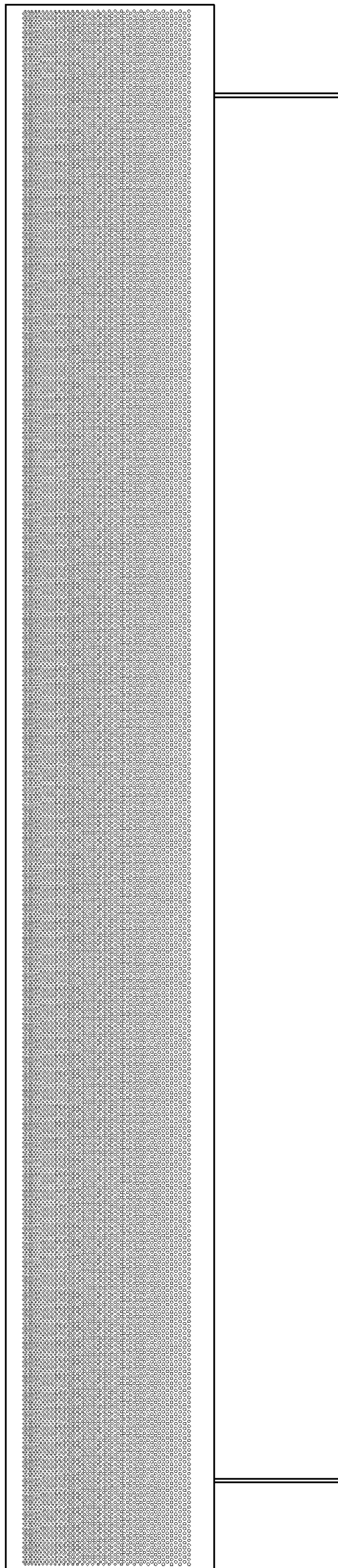


FIG. 2

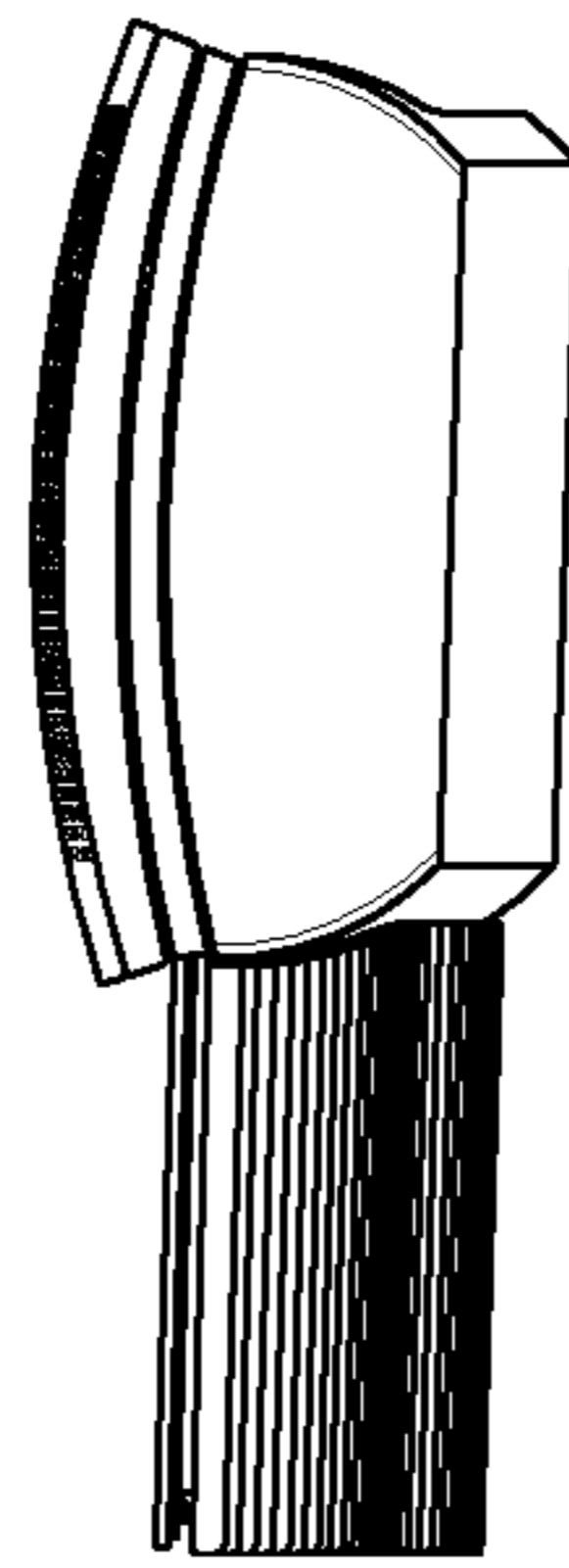


FIG. 3

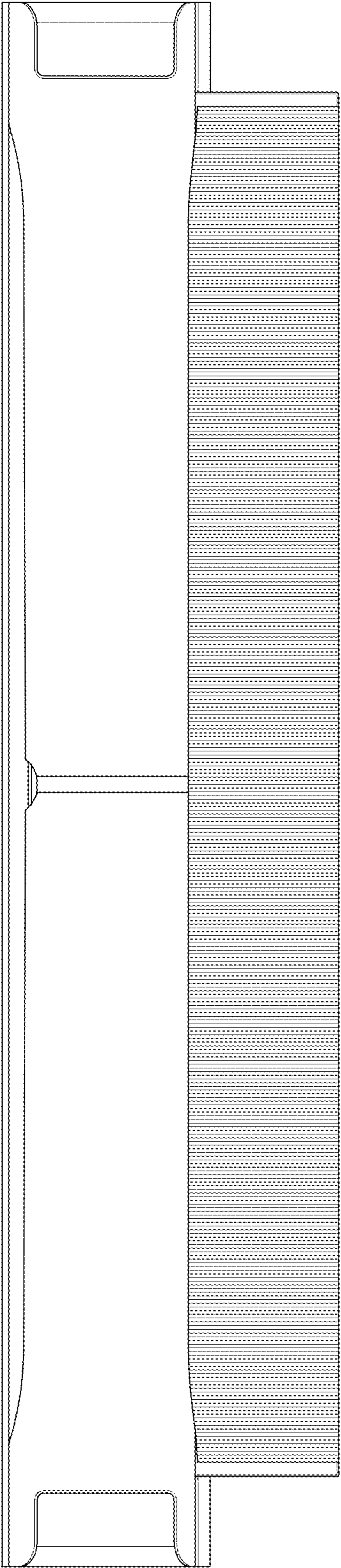


FIG. 4

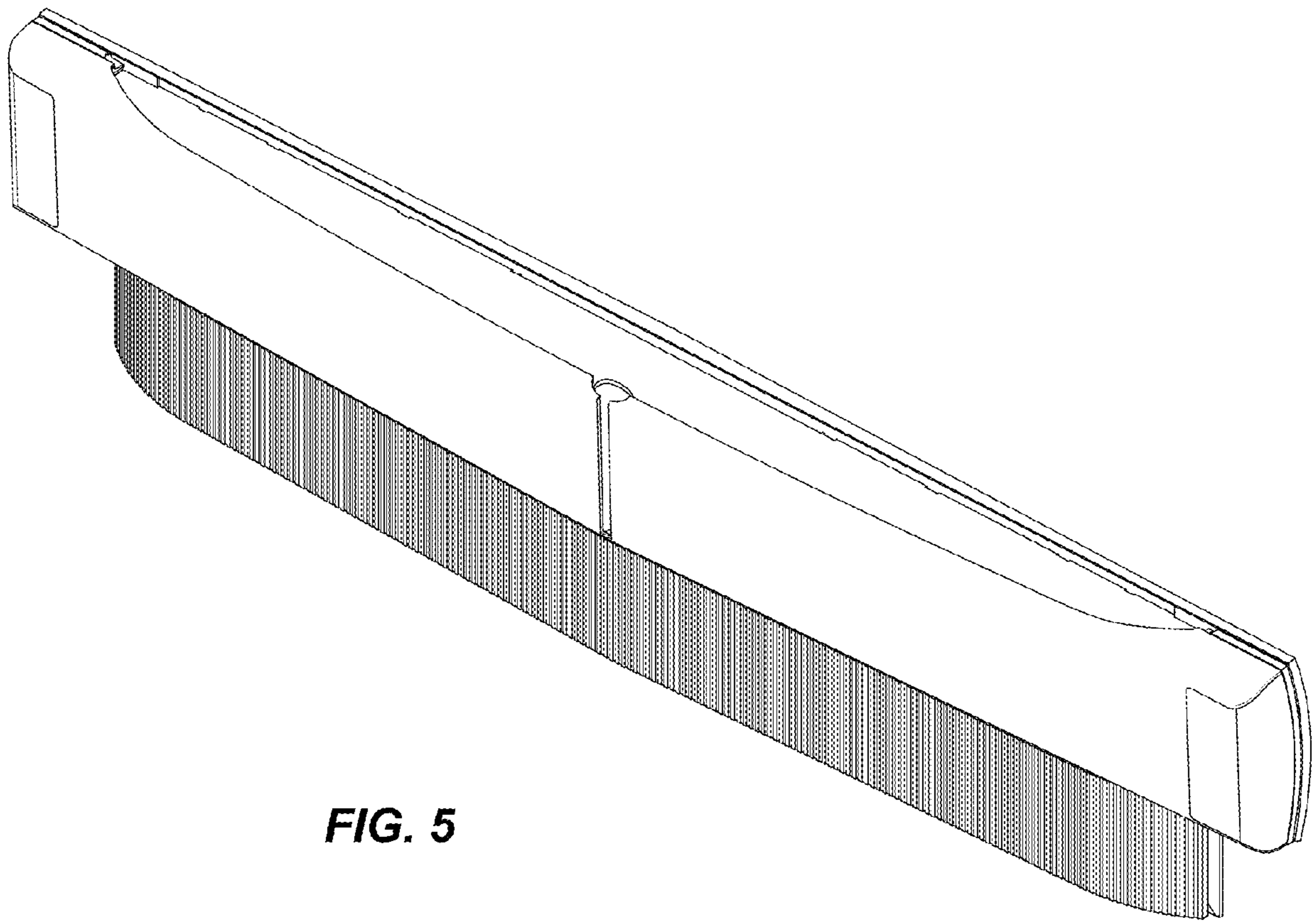


FIG. 5

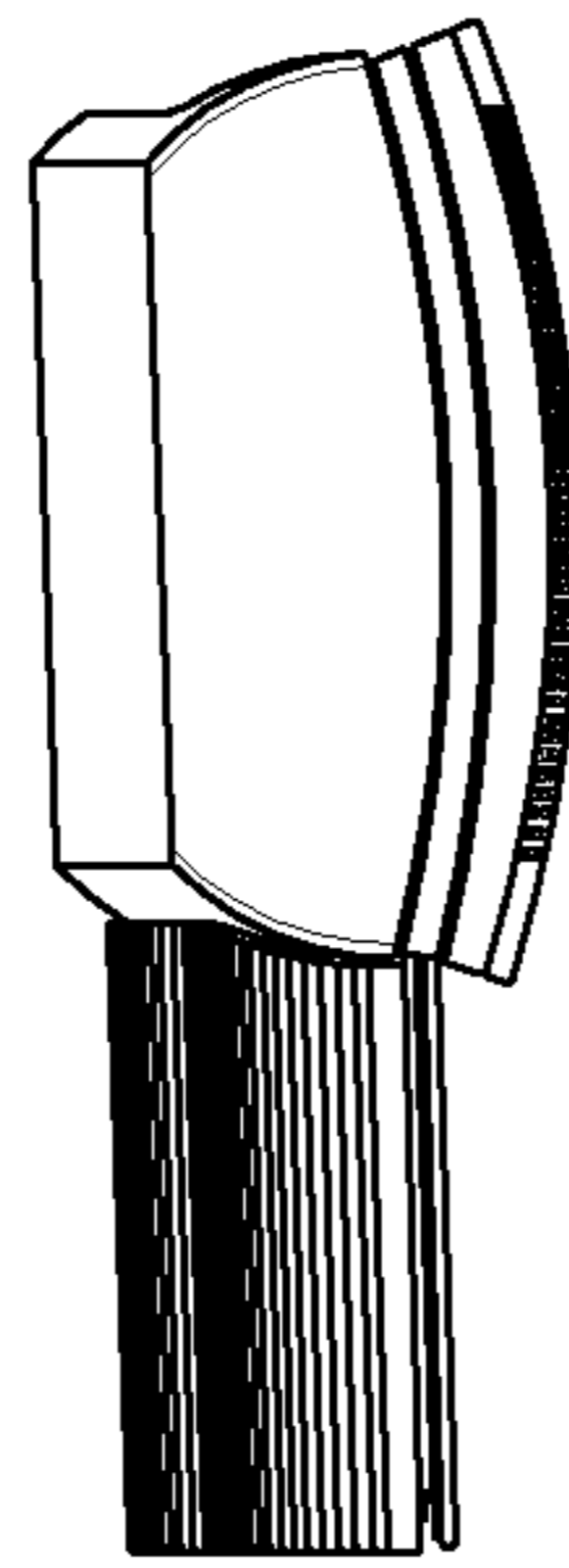


FIG. 6

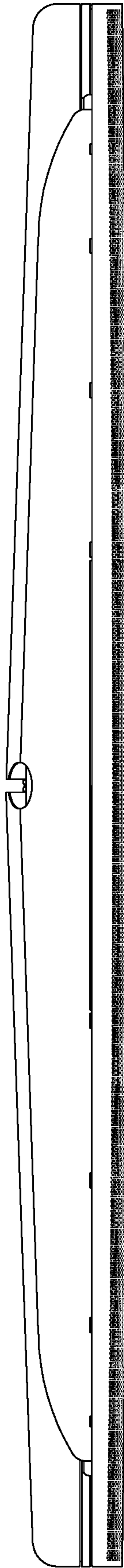


FIG. 7

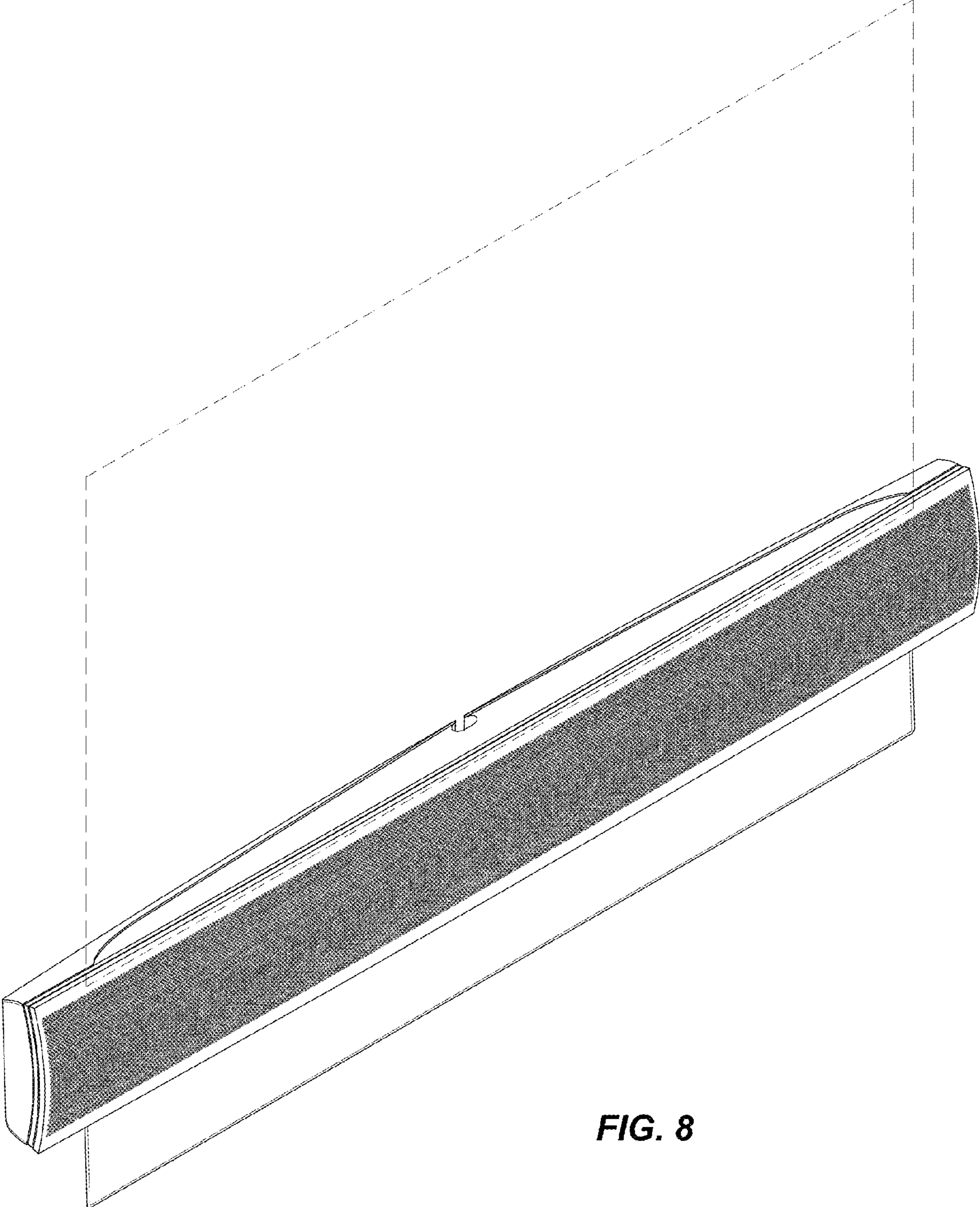


FIG. 8