



US00D870072S

(12) **United States Design Patent**
Gheysens

(10) **Patent No.:** **US D870,072 S**

(45) **Date of Patent:** **** Dec. 17, 2019**

(54) **LOUDSPEAKER**

(71) Applicant: **APART AUDIO, naamloze vennootschap**, Schoten (BE)

(72) Inventor: **Tom Gheysens**, Schilde (BE)

(73) Assignee: **APART AUDIO, NAAMLOZE VENNOOTSCHAP**, Schoten (BE)

(**) Term: **15 Years**

(21) Appl. No.: **29/609,905**

(22) Filed: **Jul. 6, 2017**

(51) **LOC (12) Cl.** **14-01**

(52) **U.S. Cl.**
USPC **D14/214**

(58) **Field of Classification Search**
USPC D14/188, 203.1, 203.3, 204, 210–216,
D14/219, 221, 356, 363, 365–368, 496;
181/143, 144, 148, 153, 157, 198, 199;
369/6–12; 381/300–303, 361–364,
381/386–388

CPC H04R 1/02; H04R 1/021; H04R 1/023;
H04R 5/00; H04R 9/06; H04R 2420/07
See application file for complete search history.

(56) **References Cited**

U.S. PATENT DOCUMENTS

D498,745 S * 11/2004 Saylor D14/214
D541,259 S * 4/2007 Pincek D14/214

D565,549 S * 4/2008 Sawhney D14/214
D568,293 S * 5/2008 Sawhney D14/214
D583,802 S * 12/2008 Pincek D14/214
D655,691 S * 3/2012 Stewart, Jr. D14/214
D695,269 S * 12/2013 Carpenter D14/209.1
D710,332 S * 8/2014 Baird D14/221
D756,331 S * 5/2016 Kamlet D14/214

* cited by examiner

Primary Examiner — Keli L Hill

(74) *Attorney, Agent, or Firm* — Young & Thompson

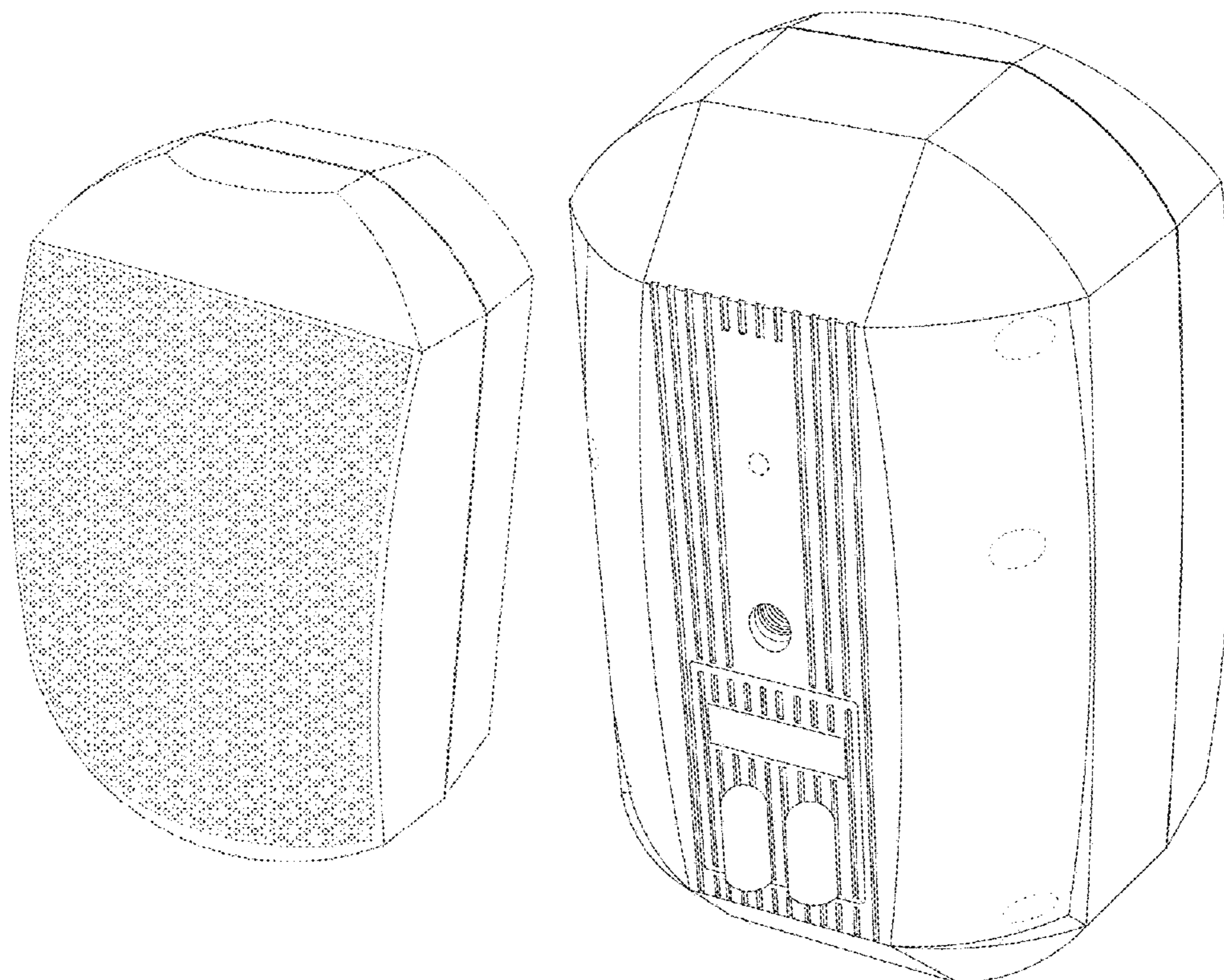
(57) **CLAIM**

The ornamental design for a loudspeaker, as shown and described.

DESCRIPTION

FIG. 1 is a front, left side, and top perspective view of a loudspeaker showing the new design;
FIG. 2 is a rear, right side, and top, view thereof;
FIG. 3 is a front elevation view thereof;
FIG. 4 is a rear elevation view thereof;
FIG. 5 is a right side elevation view thereof, the left side elevation view being the same;
FIG. 6 is a bottom plan view thereof; and,
FIG. 7 is a top plan view thereof.

1 Claim, 7 Drawing Sheets



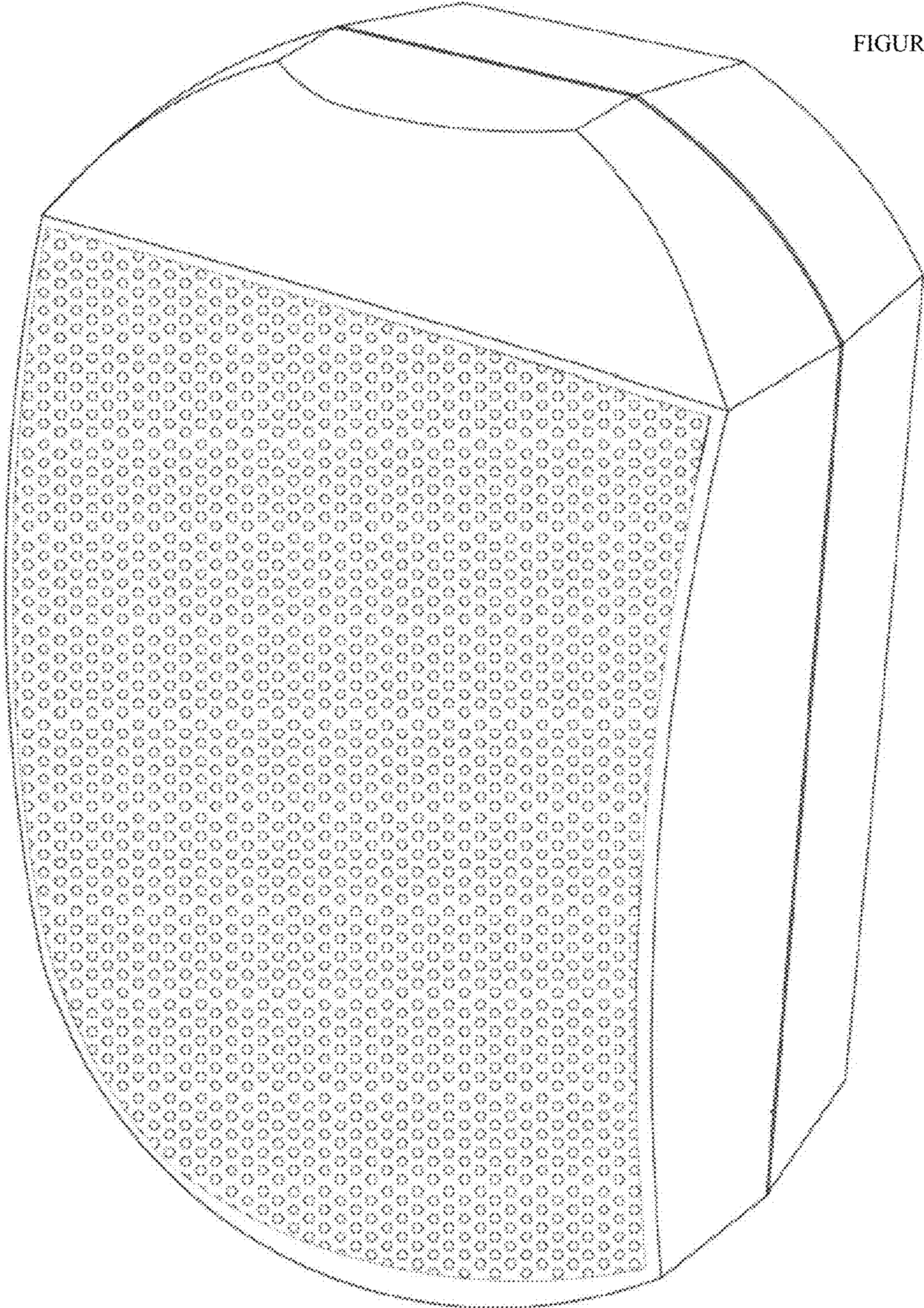


FIGURE 1

FIGURE 2

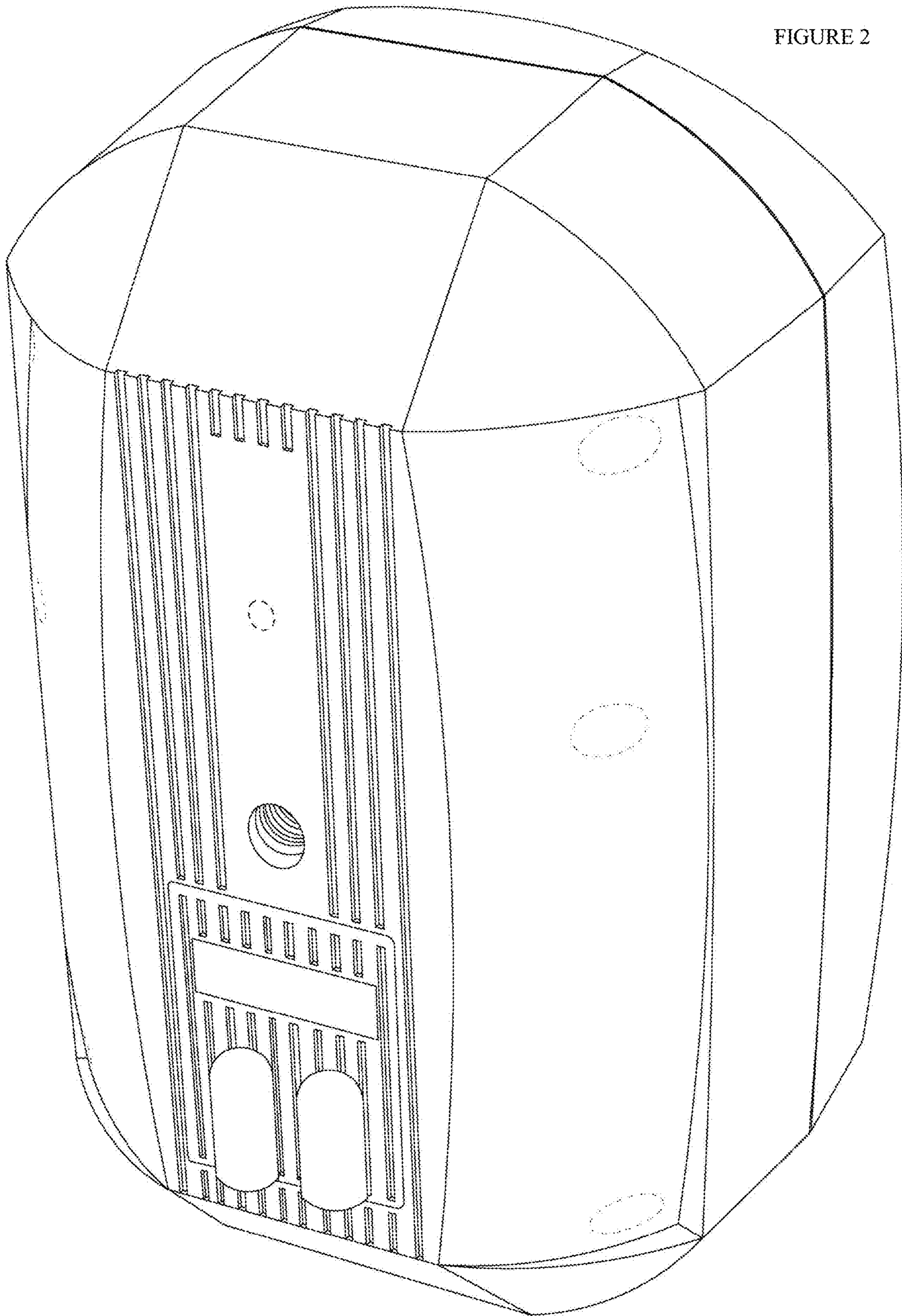


FIGURE 3

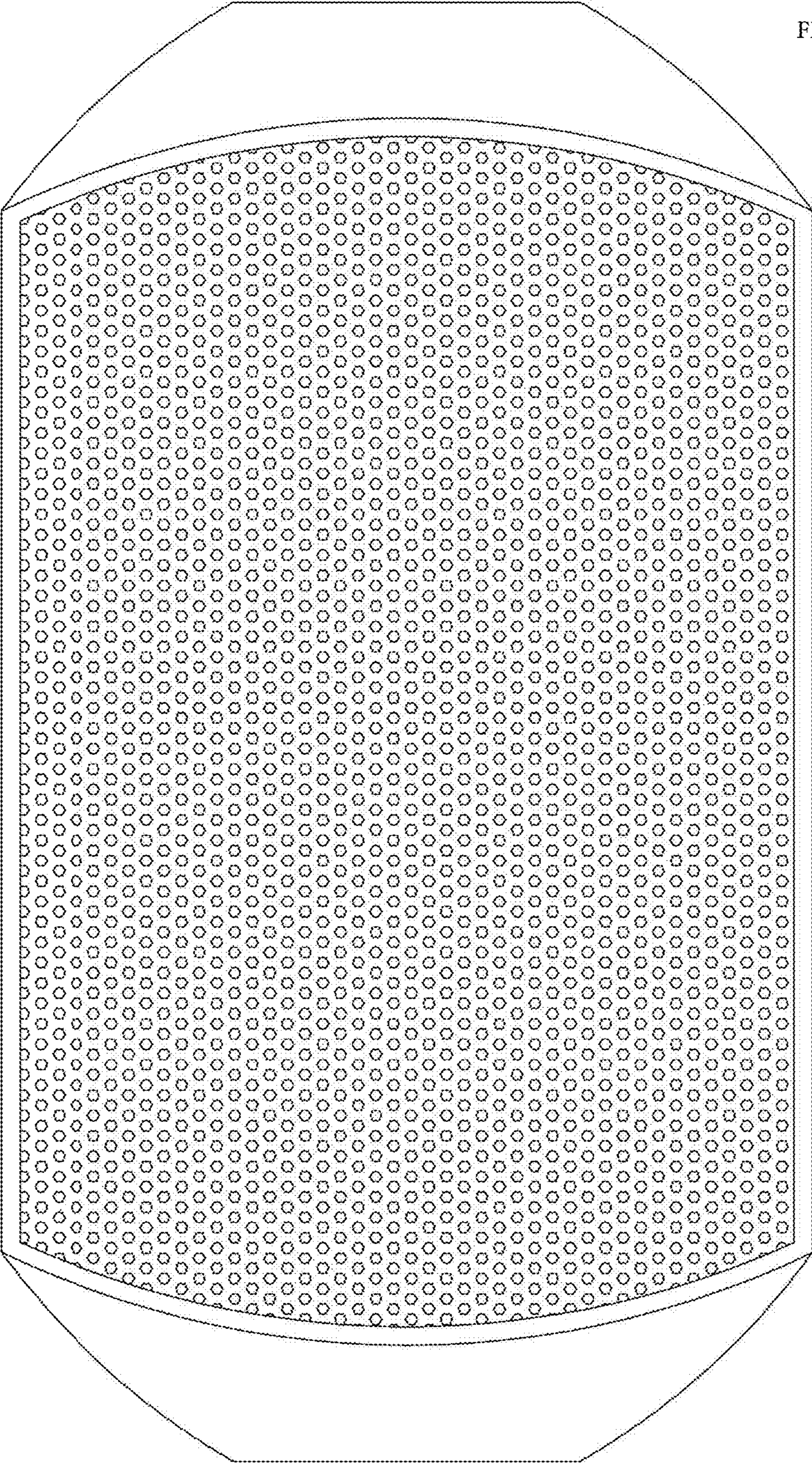


FIGURE 4

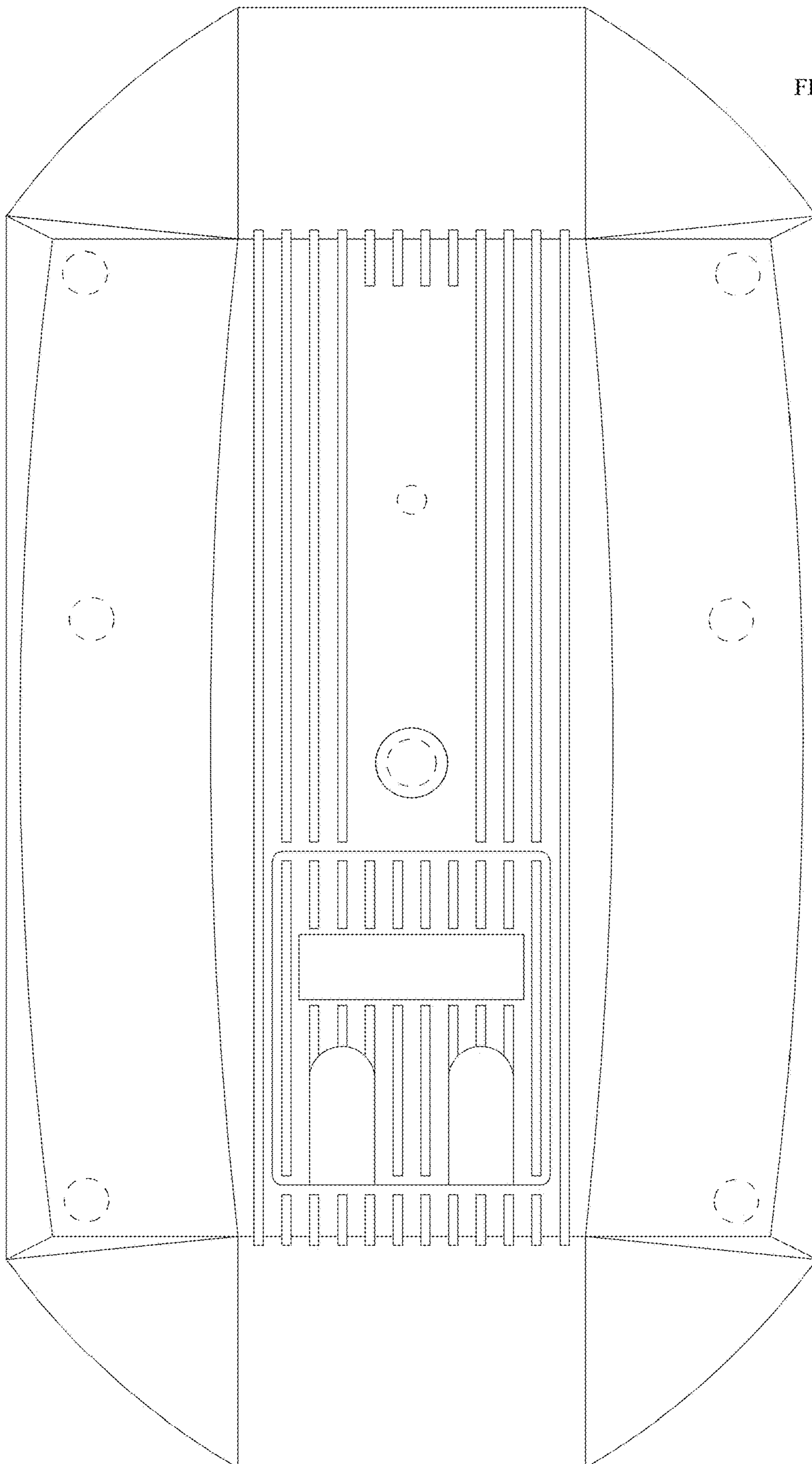


FIGURE 5

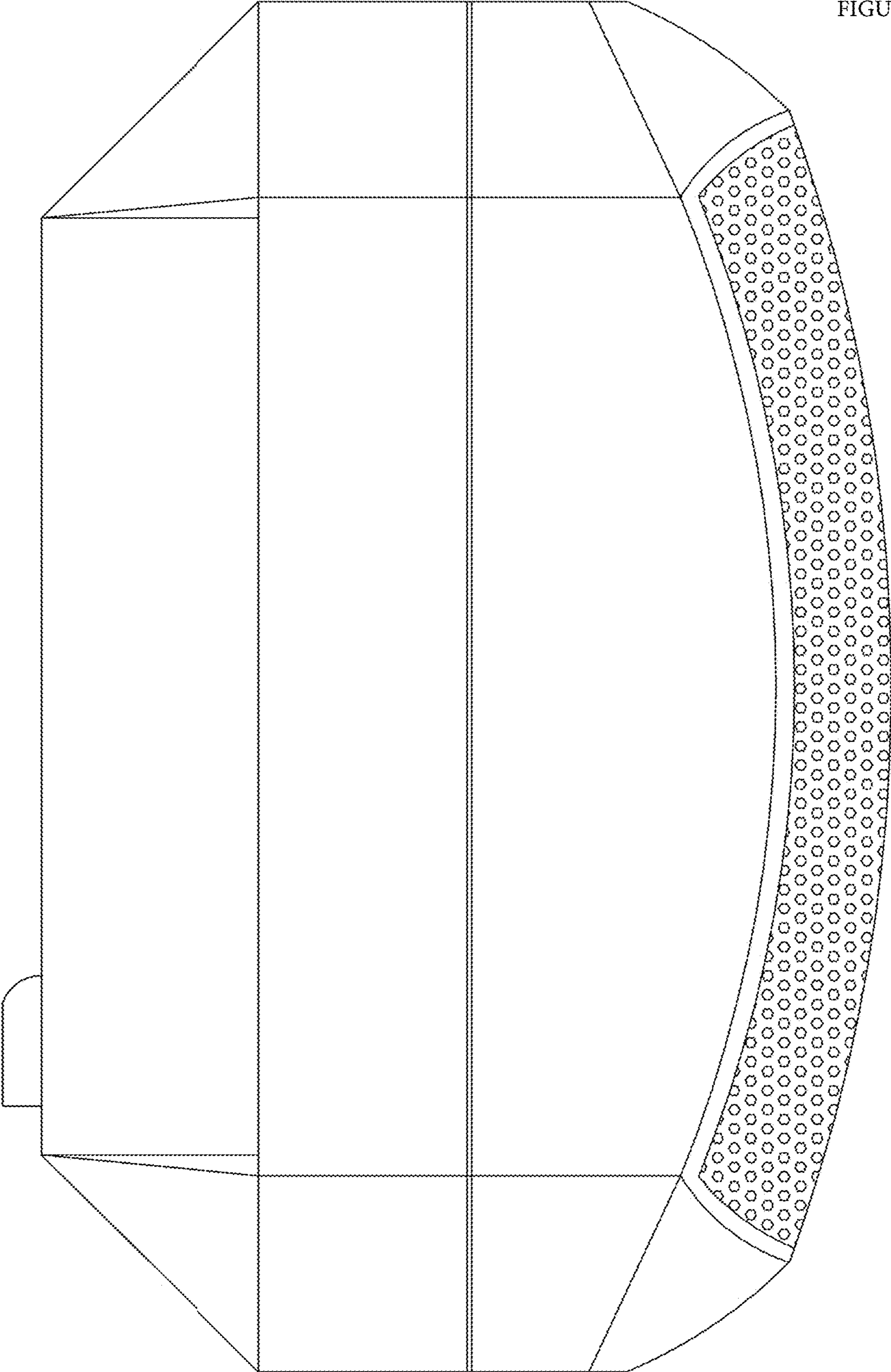


FIGURE 6

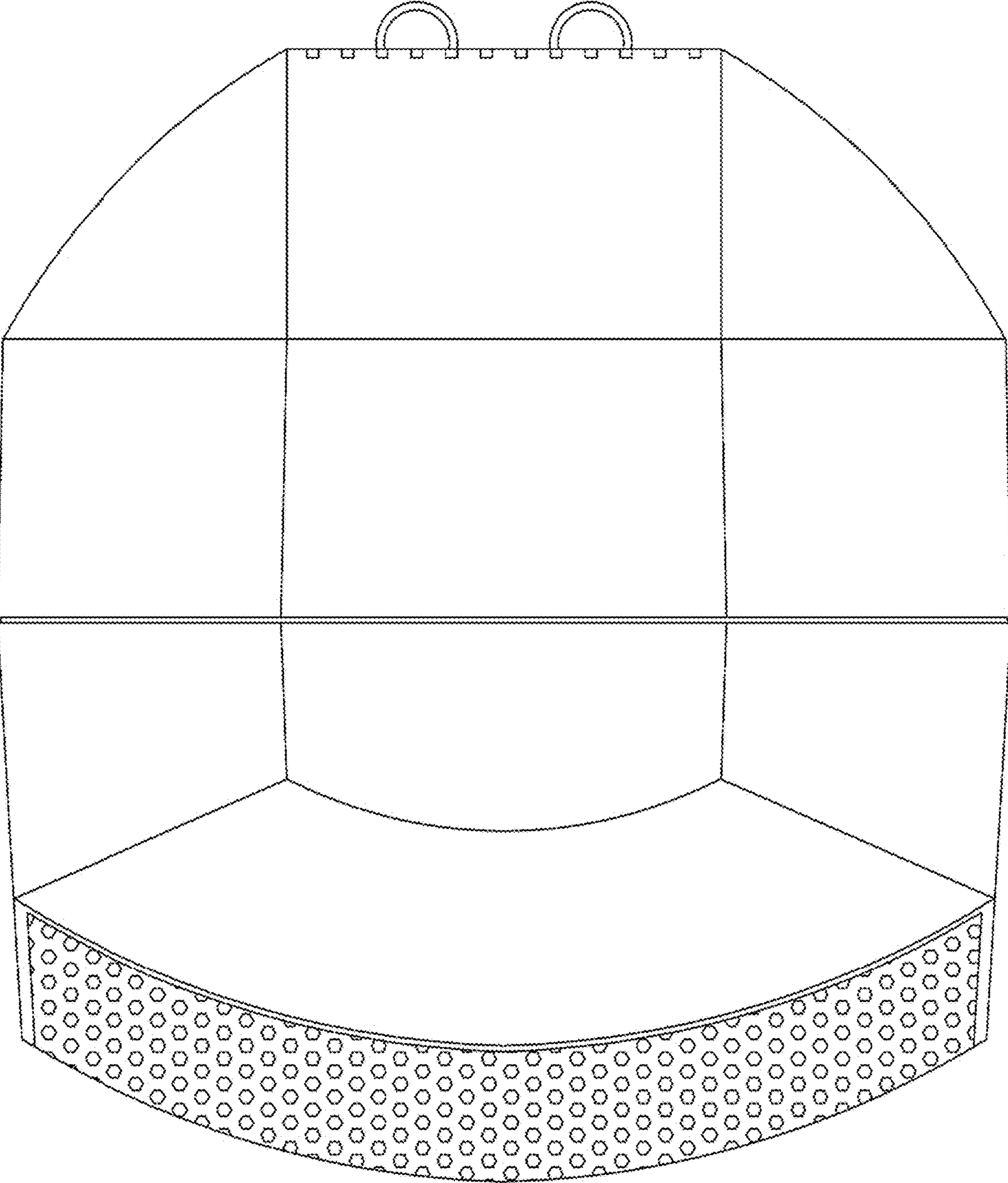


FIGURE 7

