

US00D870069S

(12) **United States Design Patent**
Hu

(10) **Patent No.:** **US D870,069 S**

(45) **Date of Patent:** **** Dec. 17, 2019**

(54) **HEADPHONES**

(71) Applicant: **SHENZHEN QIANHAI PATUOXUN NETWORK AND TECHNOLOGY CO., LTD**, Shenzhen (CN)

(72) Inventor: **Zaihui Hu**, Shenzhen (CN)

(73) Assignee: **SHENZHEN QIANHAI PATUOXUN NETWORK AND TECHNOLOGY CO., LTD**, Shenzhen (CN)

(**) Term: **15 Years**

(21) Appl. No.: **29/705,279**

(22) Filed: **Sep. 11, 2019**

(51) **LOC (12) Cl.** **14-01**

(52) **U.S. Cl.**
USPC **D14/206; D14/226**

(58) **Field of Classification Search**
USPC D14/206, 226, 205; D29/112; 2/209;
181/129, 130, 135; 379/430, 431;
381/380, 381, 374; 455/90.3, 575.1,
455/569.1

CPC H04R 25/00; H04R 1/1016; H04R 1/1066;
H04R 5/033; H04R 5/0335; H04R 1/105;
H04R 19/04; H04R 17/02

See application file for complete search history.

(56) **References Cited**

U.S. PATENT DOCUMENTS

D270,634 S *	9/1983	Ungar	D14/205
D291,198 S *	8/1987	Bellini	D14/205
D298,670 S *	11/1988	Palmaer	D14/205
D338,010 S *	8/1993	Yamatogi	D14/205
D351,172 S *	10/1994	Nakamura	D14/205
D512,981 S *	12/2005	Jacobson	D14/205
D514,086 S *	1/2006	Skulley	D14/206
D517,528 S *	3/2006	Skulley	D14/206
D518,479 S *	4/2006	Skulley	D14/225
D563,382 S *	3/2008	Wikel	D14/205
D589,492 S *	3/2009	Mistry	D14/205

D654,471 S *	2/2012	Fischer	D14/206
8,139,807 B2 *	3/2012	Reiss	H04R 1/1083 381/371
D660,823 S *	5/2012	Hardi	D14/205
D660,824 S *	5/2012	Hardi	D14/205

(Continued)

FOREIGN PATENT DOCUMENTS

EM 001871567-0001 * 6/2011

OTHER PUBLICATIONS

“Avantree H5063 Comfortable Bluetooth Headphones Over Ear With Mic, 20 Hrs Hi-Fi Stereo Headset for Music, Foldable & Lightweight, Wireless Wired Modes for Cell Phone Tablet PC Computer Laptop Travel”, Retrieved Sep. 10, 2019]. Retrieved from Internet, <https://www.amazon.co.uk/Avantree-Comfortable-Bluetooth-Headphones-Lightweight-Black-Fast-Stream-Foldable/dp/B079N5Q7XS/>.

(Continued)

Primary Examiner — Paula Allen Greene

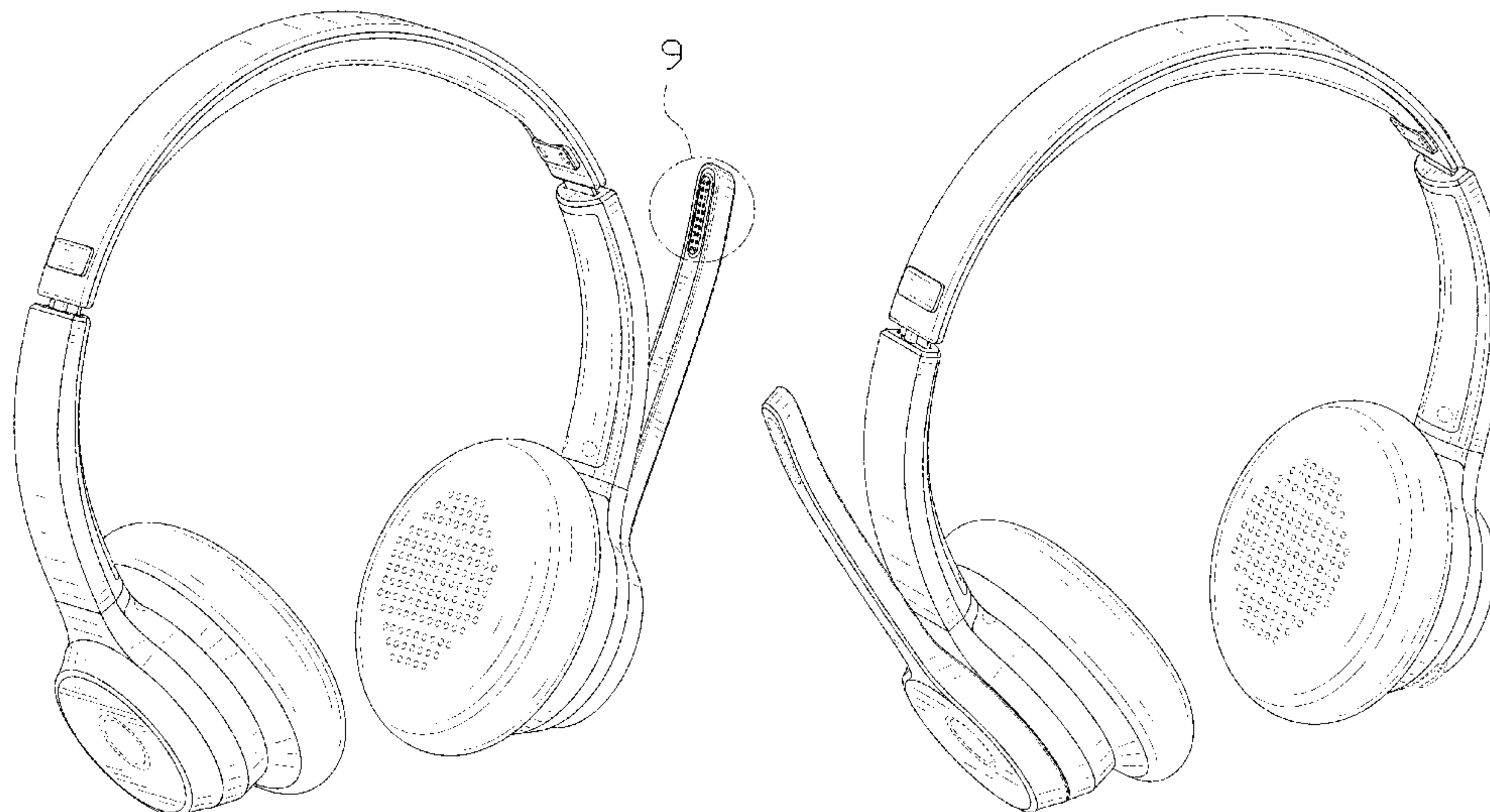
(57) **CLAIM**

The ornamental design for headphones, as shown and described.

DESCRIPTION

FIG. 1 is a perspective view of headphones showing my new design;
FIG. 2 is another perspective view thereof;
FIG. 3 is a front elevational view thereof;
FIG. 4 is a rear elevational view thereof;
FIG. 5 is a left side elevational view thereof;
FIG. 6 is a right side elevational view thereof;
FIG. 7 is a top plan view thereof;
FIG. 8 is a bottom plan view thereof; and,
FIG. 9 is an enlarged view of portion 9 shown in FIG. 1.
The broken lines in the drawings depict portions of the headphones that form no part of the claimed design.

1 Claim, 9 Drawing Sheets



(56)

References Cited

U.S. PATENT DOCUMENTS

D663,716 S * 7/2012 Hardi D14/205
 D673,136 S * 12/2012 Kelly D14/205
 D673,524 S * 1/2013 Brennwald D14/206
 D675,595 S * 2/2013 Cho D14/205
 D678,860 S * 3/2013 Hagelin D14/205
 D683,329 S * 5/2013 Hagelin D14/205
 D684,145 S * 6/2013 Rath D14/206
 D684,559 S * 6/2013 Groset D14/205
 D691,111 S * 10/2013 Lee D14/206
 D691,579 S * 10/2013 Lee D14/205
 D706,244 S * 6/2014 Goransson D14/225
 D713,375 S * 9/2014 Dedinas D14/206
 D713,376 S * 9/2014 Dedinas D14/206
 D716,762 S * 11/2014 Greve D14/206
 D717,767 S * 11/2014 Mistry D14/206
 9,036,849 B2 * 5/2015 Thompson H04R 1/083
 381/122
 D737,799 S * 9/2015 Carr D14/205
 D740,256 S * 10/2015 Carr D14/206
 D750,041 S * 2/2016 Birger D14/205
 D782,999 S * 4/2017 Spio D14/206
 D800,691 S * 10/2017 Ando D14/205
 D820,813 S * 6/2018 Sharp D14/206
 D843,345 S * 3/2019 Brunner D14/205
 D847,117 S * 4/2019 Summerson D14/206
 D851,064 S * 6/2019 Wang D14/206

D856,303 S * 8/2019 Ando D14/205
 D857,652 S * 8/2019 Wang D14/205
 D860,161 S * 9/2019 Xia D14/205
 D864,903 * 10/2019 Liu D14/206
 2010/0040252 A1 * 2/2010 Thompson H04R 1/083
 381/375
 2011/0228925 A1 * 9/2011 Birch H04M 1/05
 379/428.02
 2016/0080853 A1 * 3/2016 Chen H04R 1/1041
 381/74

OTHER PUBLICATIONS

“Gaming Headset,DLAND 3.5mm Wired Bass Stereo Noise Isolation Gaming Headphones with Mic for Laptop Computer, Cellphone, PS4 and so on—Volumn Control (Black and Orange)”, Retrieved Sep. 10, 2019]. Retrieved from Internet, <https://www.amazon.co.uk/DLAND-Isolation-Headphones-Computer-Cellphone-Black/dp/B01LX00H5S/>.
 “Jamswall Gaming Headset 3.5mm Wired Over-head Stereo Headphone with Mic Microphone Volume Control for PS4 Xbox One PC Laptop Smartphone”, Retrieved Sep. 10, 2019]. Retrieved from Internet, <https://www.amazon.co.uk/JAMSWALL-Over-head-Headphone-Microphone-Smartphone-Gaming-Headset/dp/B07C7XYS3J/>.

* cited by examiner



FIG. 1



FIG. 2



FIG. 3



FIG. 4

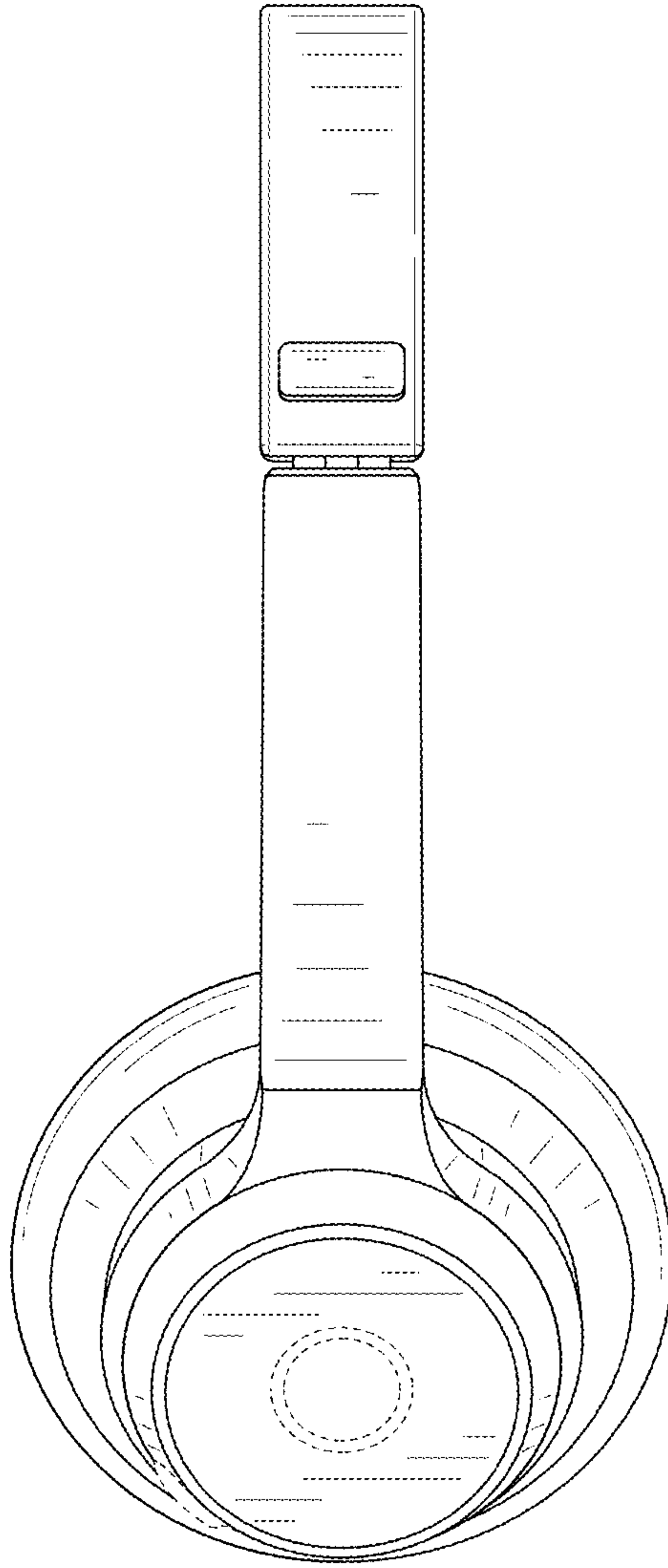


FIG. 5

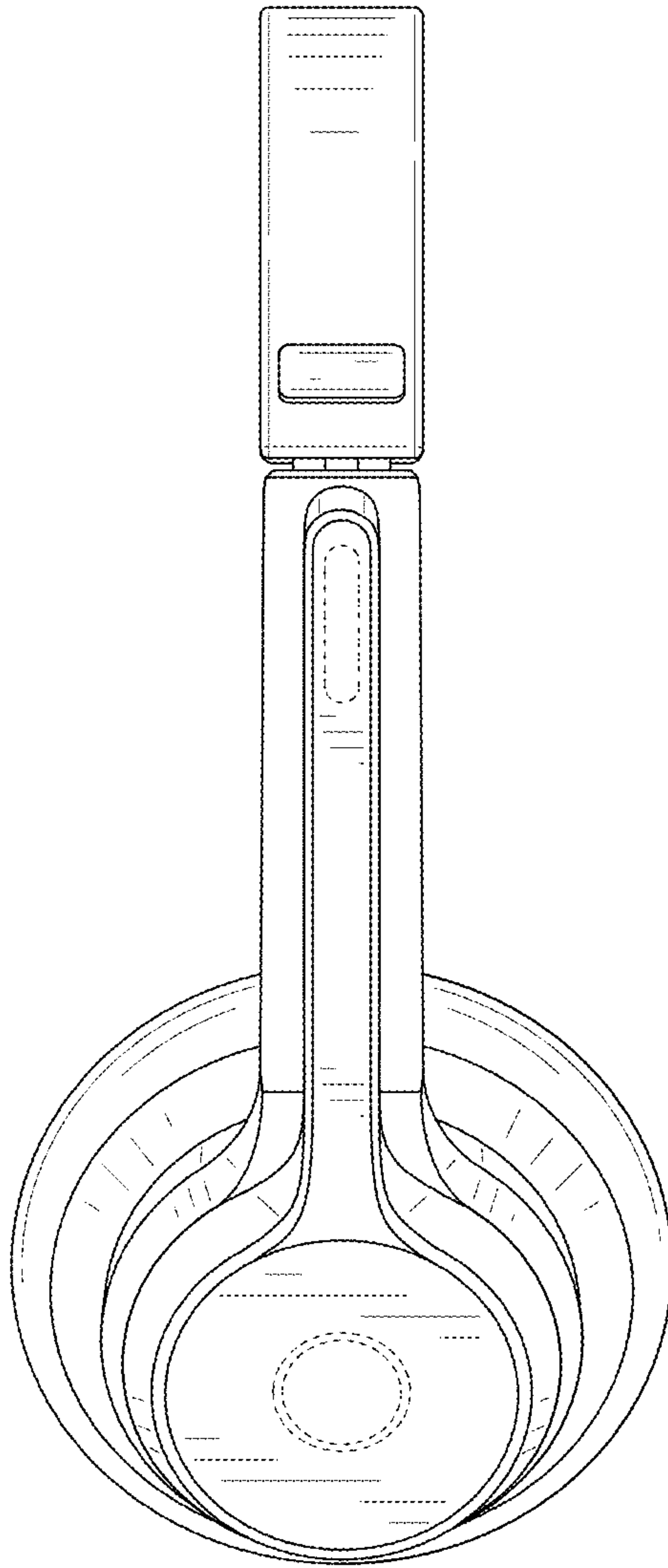


FIG. 6

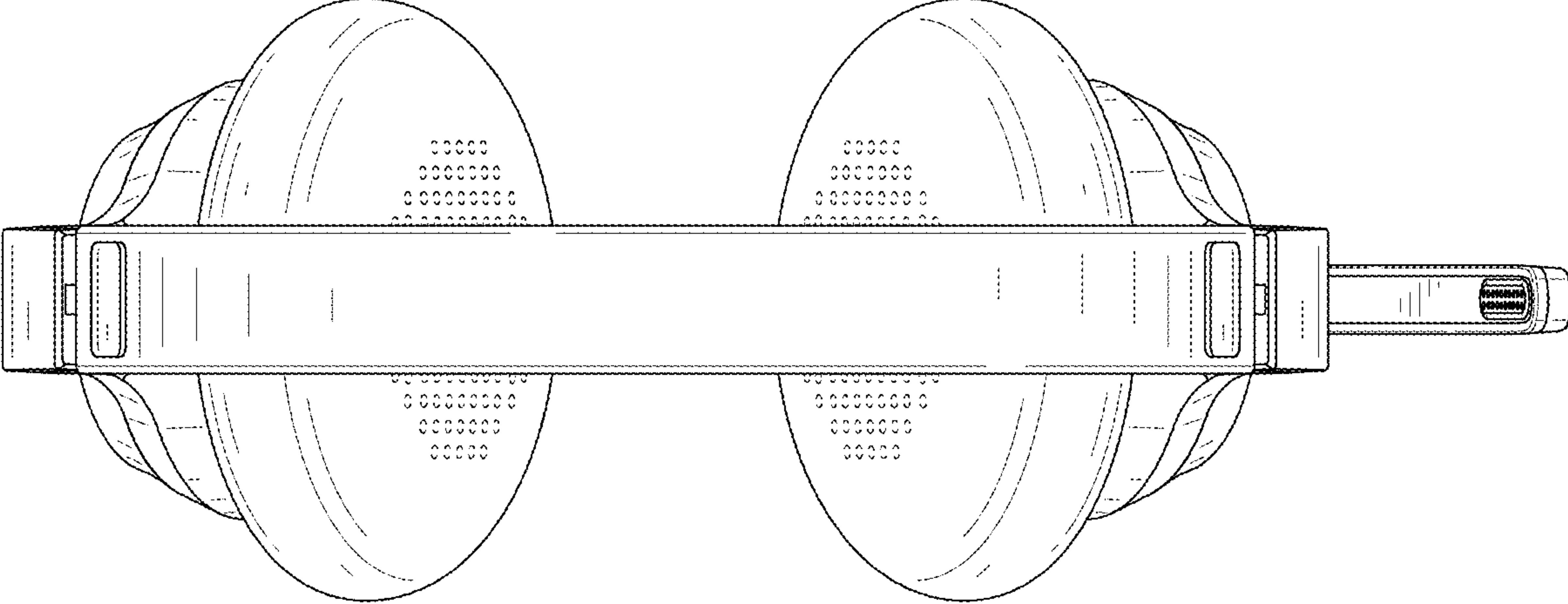


FIG. 7

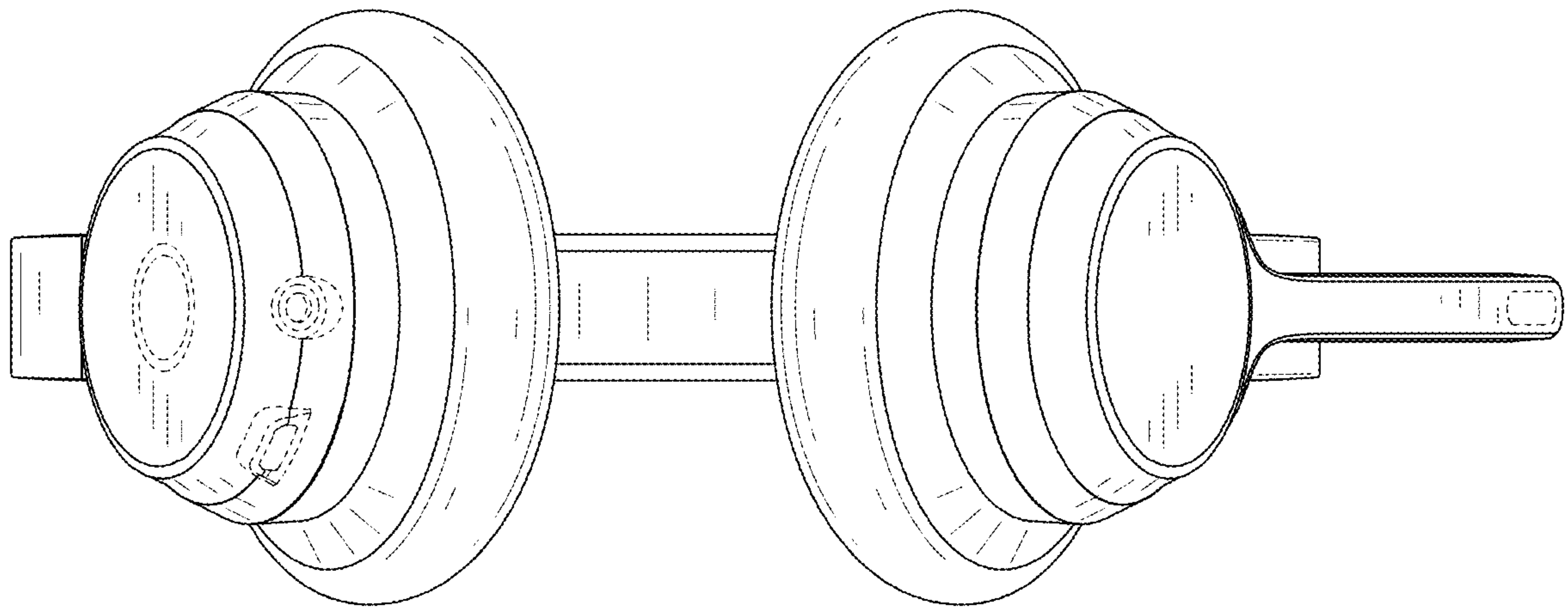


FIG. 8

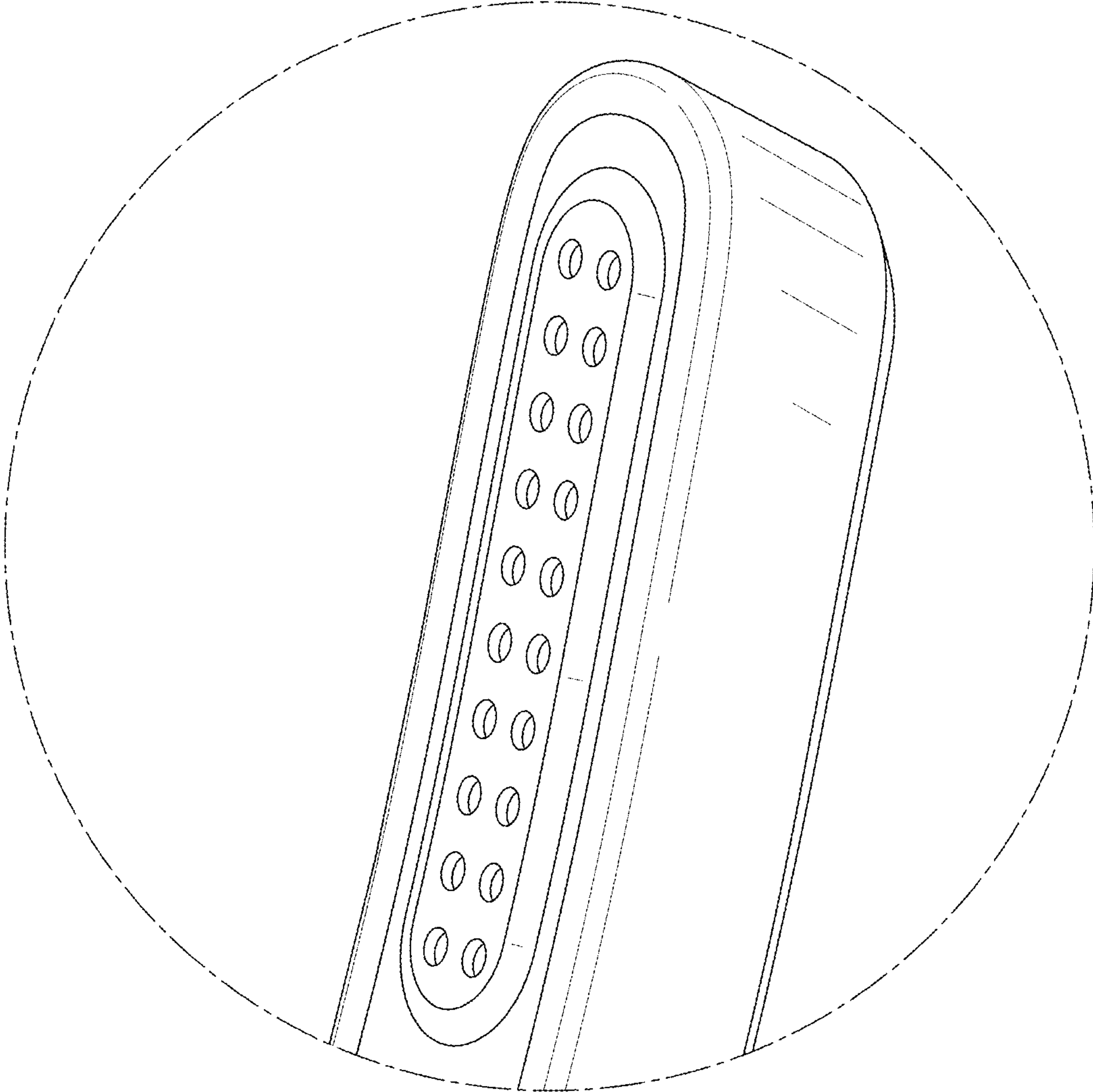


FIG. 9