



US00D870066S

(12) **United States Design Patent**  
**Lundbäck**

(10) **Patent No.:** **US D870,066 S**

(45) **Date of Patent:** **\*\* Dec. 17, 2019**

- (54) **HEADPHONES**
- (71) Applicant: **Urbanista AB**, Stockholm (SE)
- (72) Inventor: **Andreas Lundbäck**, Stockholm (SE)
- (73) Assignee: **URBANISTA AB**, Stockholm (SE)
- (\*\*) Term: **15 Years**
- (21) Appl. No.: **29/649,275**
- (22) Filed: **May 29, 2018**

- 3,795,919 A \* 3/1974 Aho ..... A42B 3/166  
2/423
- 3,864,756 A \* 2/1975 Desimone ..... A42B 3/166  
2/209
- 4,133,053 A \* 1/1979 Lundin ..... H04R 1/1058  
2/209
- D313,092 S \* 12/1990 Nilsson ..... D14/205
- 5,003,589 A \* 3/1991 Chen ..... H04M 1/05  
379/430
- 5,345,512 A \* 9/1994 Lee ..... H04R 1/1066  
181/136
- 5,445,170 A \* 8/1995 Yasuda ..... A45D 8/24  
132/278
- 5,697,386 A \* 12/1997 Chang ..... A45D 8/36  
132/273

(30) **Foreign Application Priority Data**

- Nov. 27, 2017 (EM) ..... 004523538-0001
- Nov. 27, 2017 (EM) ..... 004523538-0002

- (51) **LOC (12) Cl.** ..... **14-01**
- (52) **U.S. Cl.**  
USPC ..... **D14/205**

- (58) **Field of Classification Search**  
USPC ..... D14/205; D29/112; D24/106, 173, 174;  
132/273, 274, 275; 181/129, 130, 135;  
381/380, 381, 370, 371, 378, 322, 328;  
379/430, 431, 420.03, 420.04; 455/90.3,  
455/575.1, 569.1  
CPC .... H04R 1/1066; H04R 1/1016; H04R 5/033;  
H04R 5/0335; H04R 25/00; H04R  
1/1058; H04R 1/105; H04R 1/1091  
See application file for complete search history.

(56) **References Cited**

**U.S. PATENT DOCUMENTS**

- 1,225,422 A \* 5/1917 Feher ..... A42B 1/068  
128/866
- 1,560,718 A \* 11/1925 Nowosielski ..... H04R 1/1066  
381/377
- 2,954,442 A \* 9/1960 Mickenberg ..... H04R 5/0335  
2/209
- 3,211,160 A \* 10/1965 Miller ..... A45D 8/00  
132/275

(Continued)

*Primary Examiner* — Paula Allen Greene

(74) *Attorney, Agent, or Firm* — Knobbe, Martens, Olson & Bear LLP

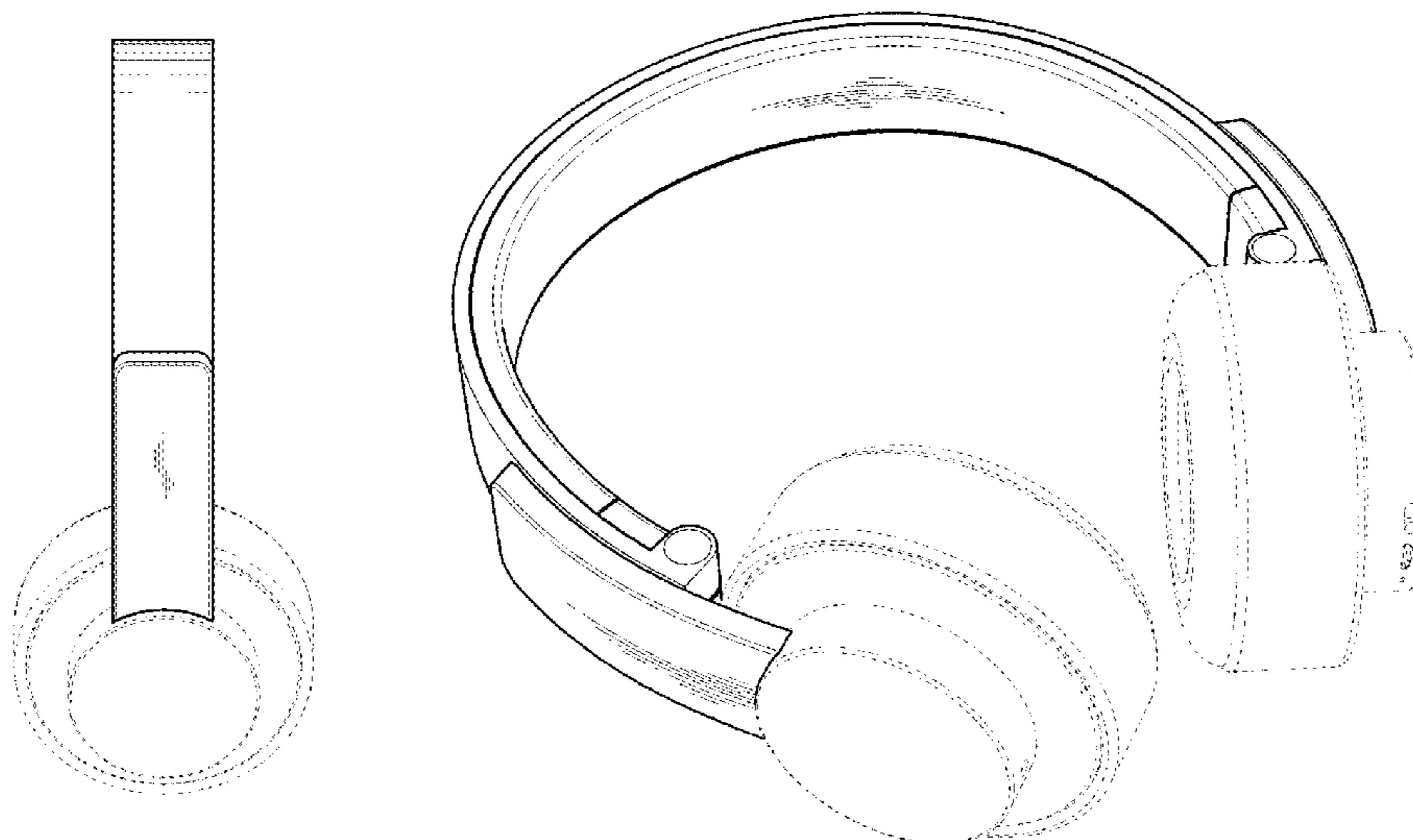
(57) **CLAIM**

The ornamental design for headphones, as shown and described.

**DESCRIPTION**

FIG. 1 is a front view of headphones showing my new design;  
 FIG. 2 is a first side view of headphones thereof;  
 FIG. 3 is a back view of headphones thereof;  
 FIG. 4 is a bottom view of headphones thereof;  
 FIG. 5 is a top view of headphones thereof;  
 FIG. 6 is a second side view of headphones thereof;  
 FIG. 7 is a perspective view of headphones thereof;  
 FIG. 8 is a second perspective view of headphone thereof;  
 and,  
 FIG. 9 is a perspective view of headphones showing the back, top, and first side thereof.  
 The broken lines in the drawings depict unclaimed subject matter only and form no part of the claimed design.

**1 Claim, 4 Drawing Sheets**



(56)

References Cited

U.S. PATENT DOCUMENTS

5,764,760 A \* 6/1998 Grandbert ..... H04M 1/0216  
379/433.13  
5,822,798 A \* 10/1998 Baxley ..... A45D 8/34  
2/182.6  
6,016,574 A \* 1/2000 Chen ..... A45D 8/36  
128/866  
D431,550 S \* 10/2000 Yoneda ..... D14/205  
6,236,732 B1 \* 5/2001 Griffith ..... H04R 1/1008  
381/370  
6,421,837 B1 \* 7/2002 Percy ..... A45D 8/36  
132/273  
D463,857 S \* 10/2002 Dix ..... D24/106  
6,654,966 B2 \* 12/2003 Rolla ..... H04R 1/1066  
2/209  
6,678,897 B2 \* 1/2004 Lindgren ..... A61F 11/14  
181/129  
D539,267 S \* 3/2007 Komiyama ..... D14/205  
D585,872 S \* 2/2009 Lee ..... D14/205  
D588,100 S \* 3/2009 Densho ..... D14/205  
D597,070 S \* 7/2009 Zheng ..... D14/205  
D600,674 S \* 9/2009 Brennwald ..... D14/205  
D604,269 S \* 11/2009 Choe ..... D14/205  
D633,471 S \* 3/2011 Sugiyama ..... D14/205  
D636,377 S \* 4/2011 Morisawa ..... D14/205  
D637,176 S \* 5/2011 Brunner ..... D14/205  
D637,579 S \* 5/2011 Hamaura ..... D14/205  
7,962,970 B2 \* 6/2011 Le Gette ..... A61F 11/14  
2/208  
D657,345 S \* 4/2012 Brunner ..... H04R 1/1008  
D14/205  
D657,346 S \* 4/2012 Park ..... D14/205  
D662,912 S \* 7/2012 Iijima ..... D14/205  
D663,717 S \* 7/2012 Hutchieson ..... D14/206  
D664,114 S \* 7/2012 Tsuchiya ..... D14/205  
D672,745 S \* 12/2012 Abed ..... D14/205  
D673,519 S \* 1/2013 Tan ..... D14/205  
D692,853 S \* 11/2013 Nokuo ..... D14/205

D707,200 S \* 6/2014 Yang ..... H04R 1/1066  
D14/205  
8,755,555 B2 \* 6/2014 Dougherty ..... H04R 1/1066  
381/370  
8,766,857 B2 \* 7/2014 Abe ..... H01Q 1/243  
343/702  
8,794,248 B2 \* 8/2014 Defenbaugh ..... B82Y 10/00  
132/273  
D715,252 S \* 10/2014 Sparks ..... D14/205  
D719,929 S \* 12/2014 Rye ..... D14/205  
D724,560 S \* 3/2015 Galler ..... D14/205  
D724,561 S \* 3/2015 Ko ..... D14/205  
D725,628 S \* 3/2015 Tompkin ..... D14/205  
D725,630 S \* 3/2015 Nakagawa ..... D14/205  
D726,146 S \* 4/2015 Binder ..... D14/205  
D732,001 S \* 6/2015 Licht ..... D14/205  
D740,254 S \* 10/2015 Huang ..... D14/205  
D743,934 S \* 11/2015 Komagamine ..... D14/205  
D784,957 S \* 4/2017 Hsieh ..... D14/205  
D793,359 S \* 8/2017 Katopis ..... D14/205  
9,788,100 B2 \* 10/2017 Essabar ..... H04R 1/1033  
D805,055 S \* 12/2017 Kelly ..... D14/205  
D810,718 S \* 2/2018 Galler ..... D14/205  
D826,897 S \* 8/2018 Wang ..... D14/205  
2003/0037366 A1 \* 2/2003 Lindgren ..... A61F 11/14  
2/209  
2003/0182713 A1 \* 10/2003 Rolla ..... H04R 1/1066  
2/209  
2003/0210801 A1 \* 11/2003 Naksen ..... H04R 1/1066  
381/370  
2006/0027245 A1 \* 2/2006 Spector ..... A45D 8/36  
132/273  
2008/0056525 A1 \* 3/2008 Fujiwara ..... H04R 1/1033  
381/374  
2014/0023222 A1 \* 1/2014 Ito ..... H04R 5/0335  
381/379  
2014/0177884 A1 \* 6/2014 Minarik ..... H04R 1/1066  
381/309  
2015/0195640 A1 \* 7/2015 Essabar ..... H04R 1/1033  
381/378  
2019/0208308 A1 \* 7/2019 Tews ..... H04R 1/1033

\* cited by examiner

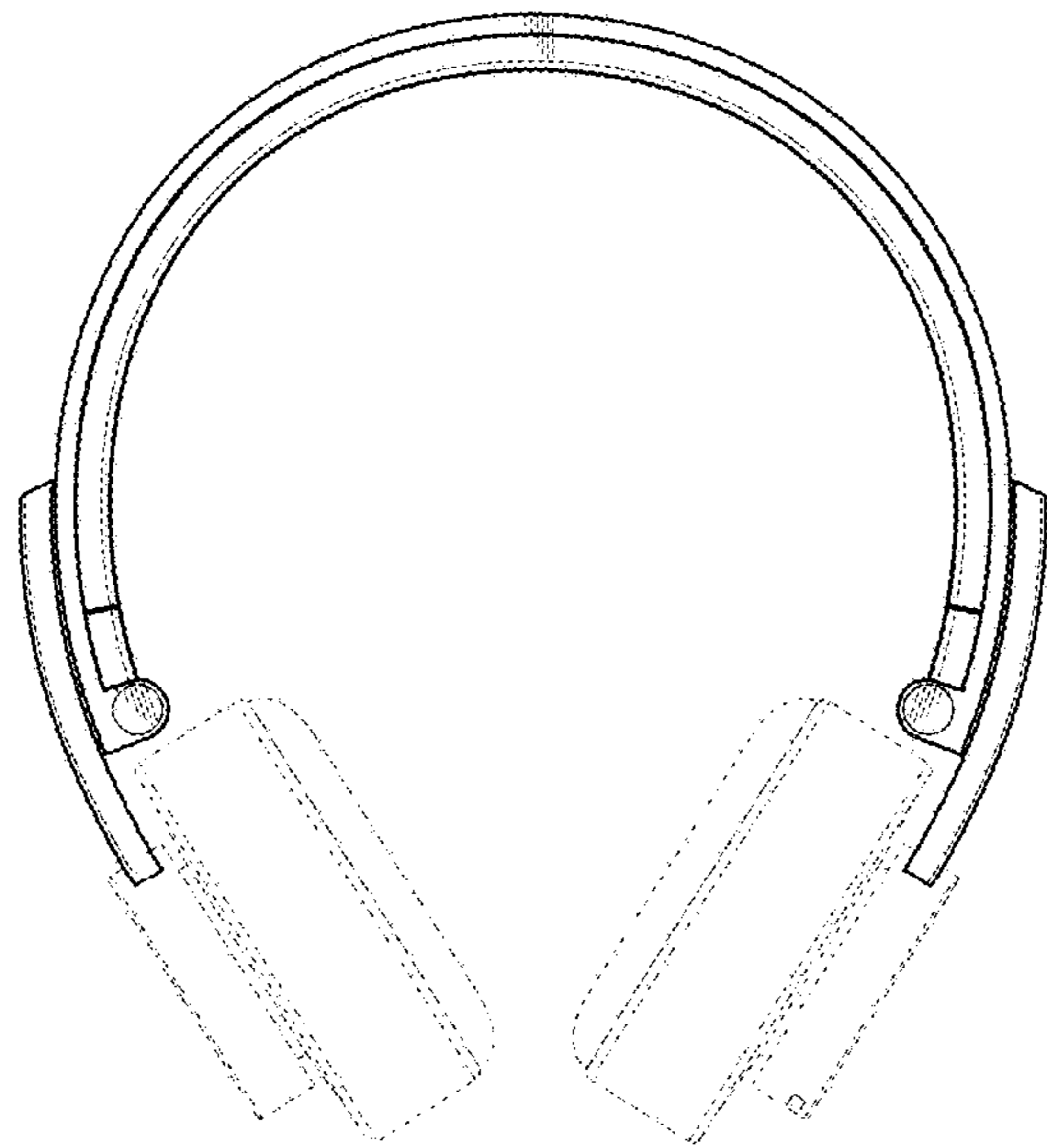


FIG. 1

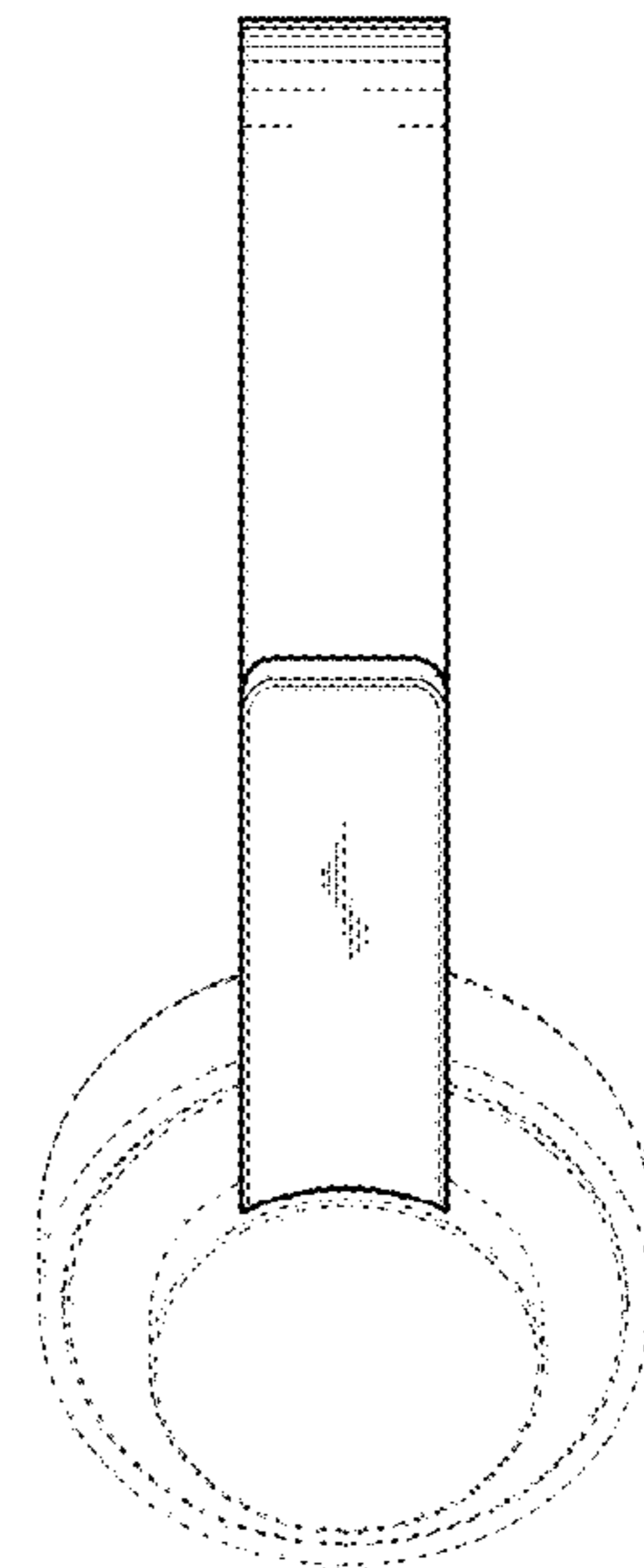


FIG. 2

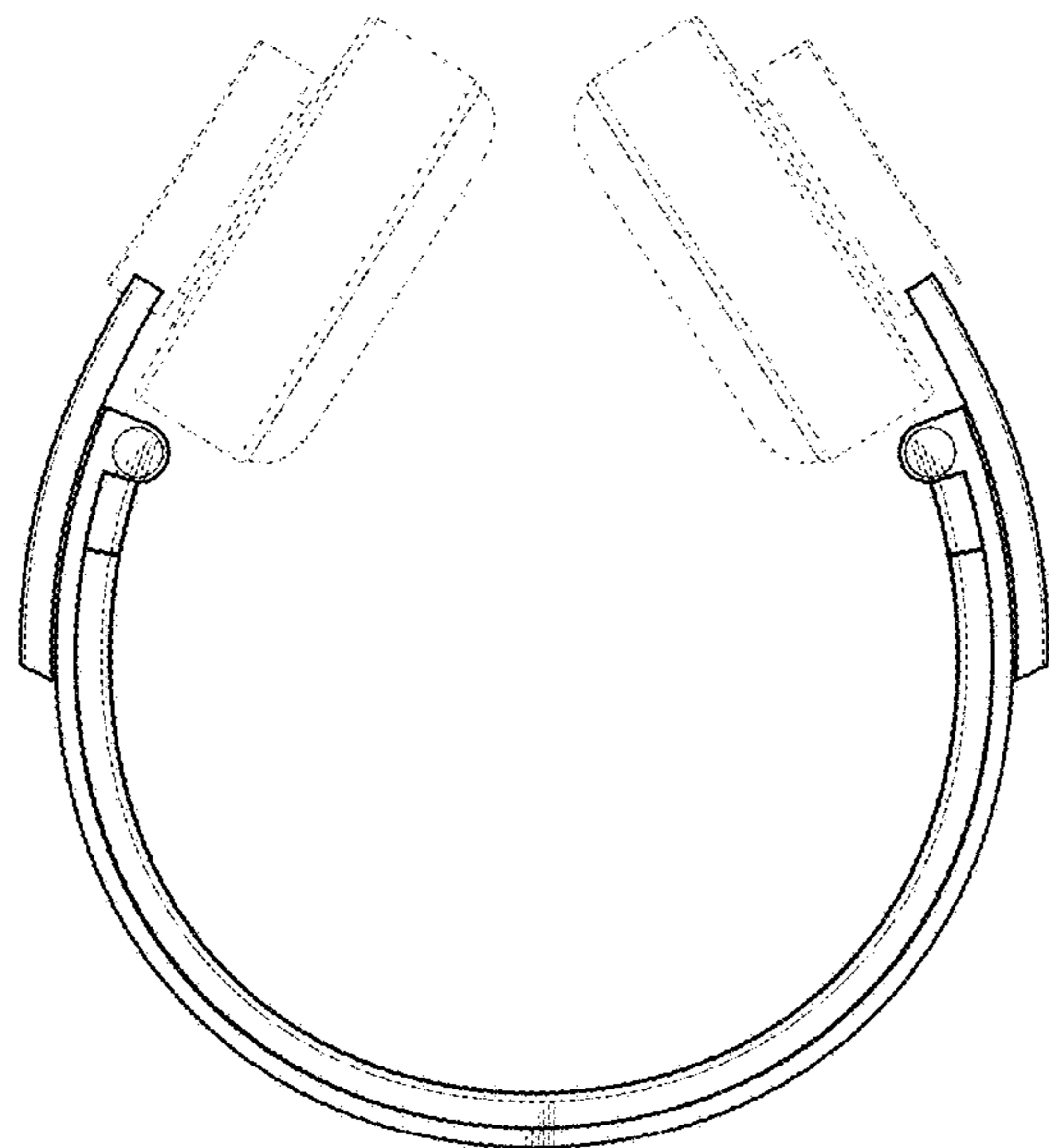


FIG. 3

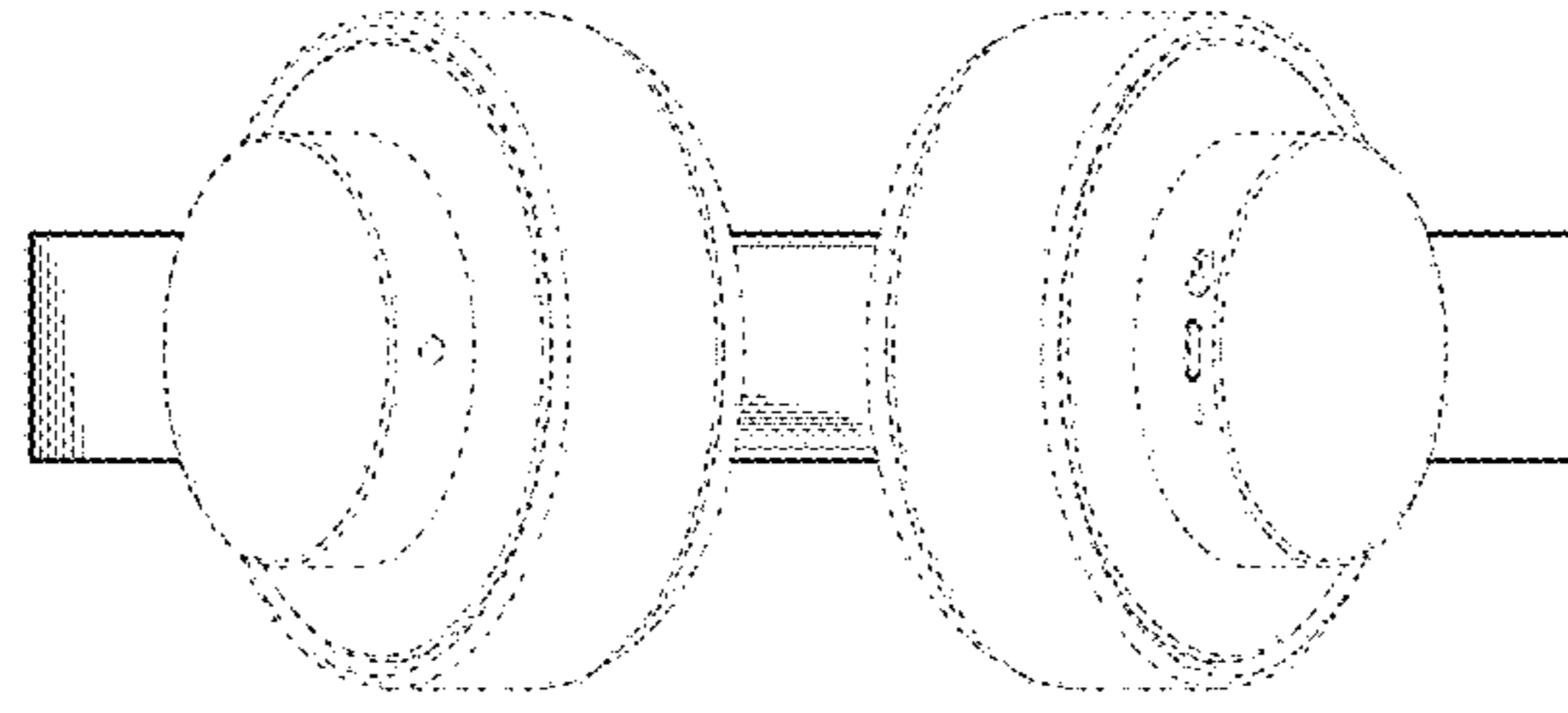


FIG. 4

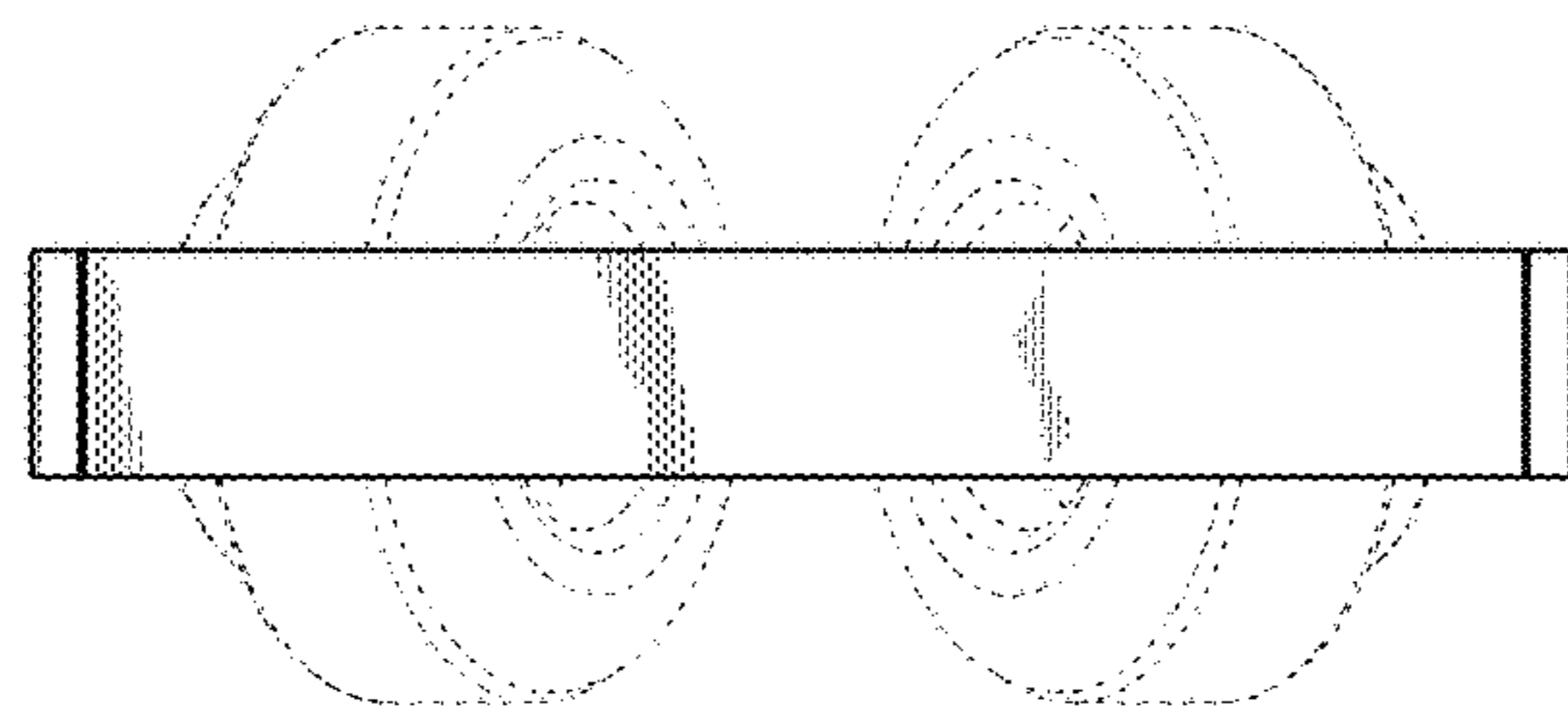


FIG. 5

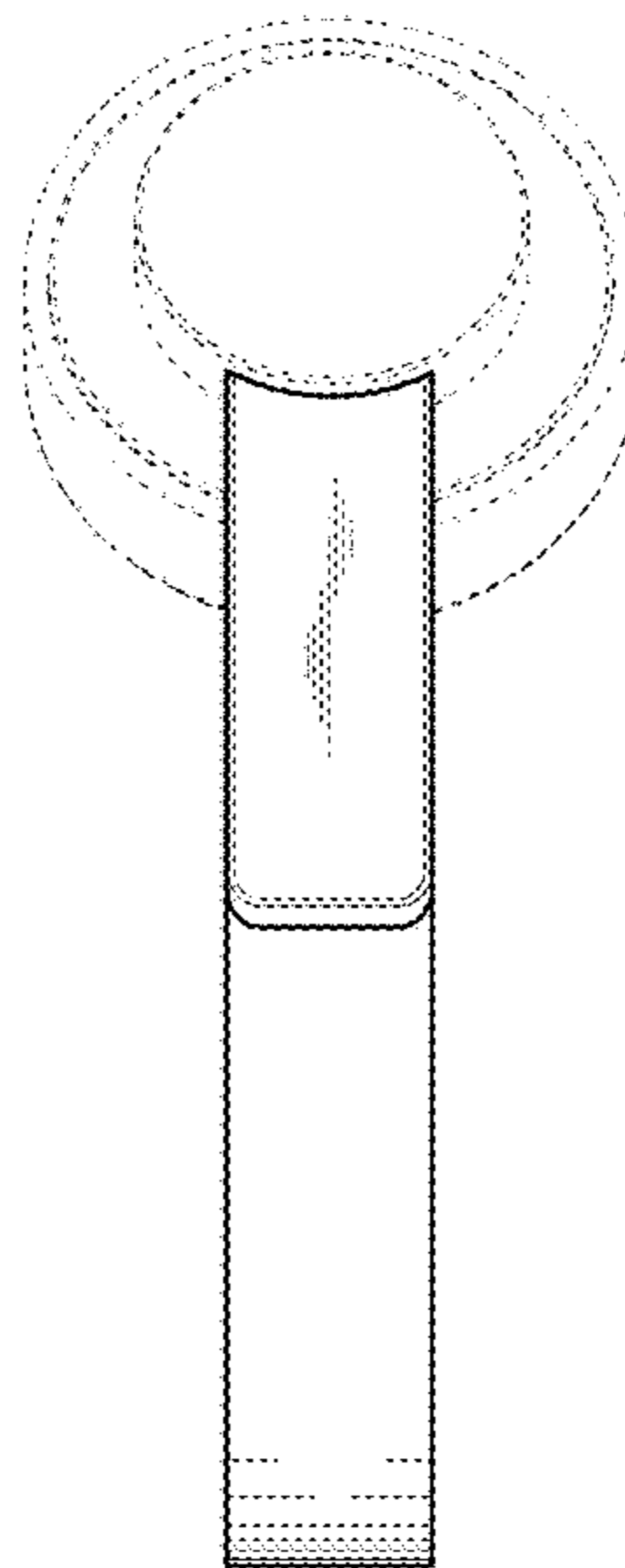


FIG. 6

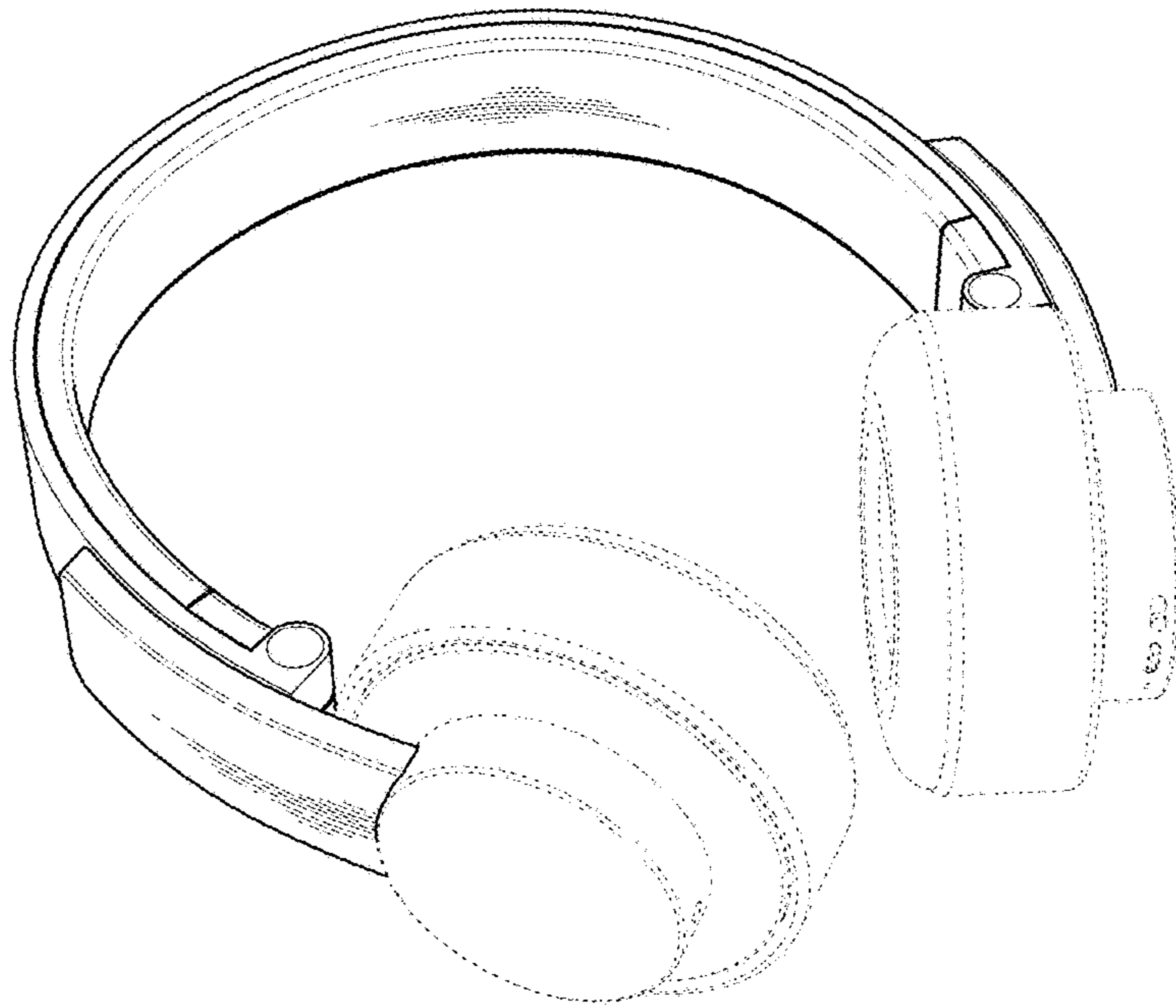


FIG. 7

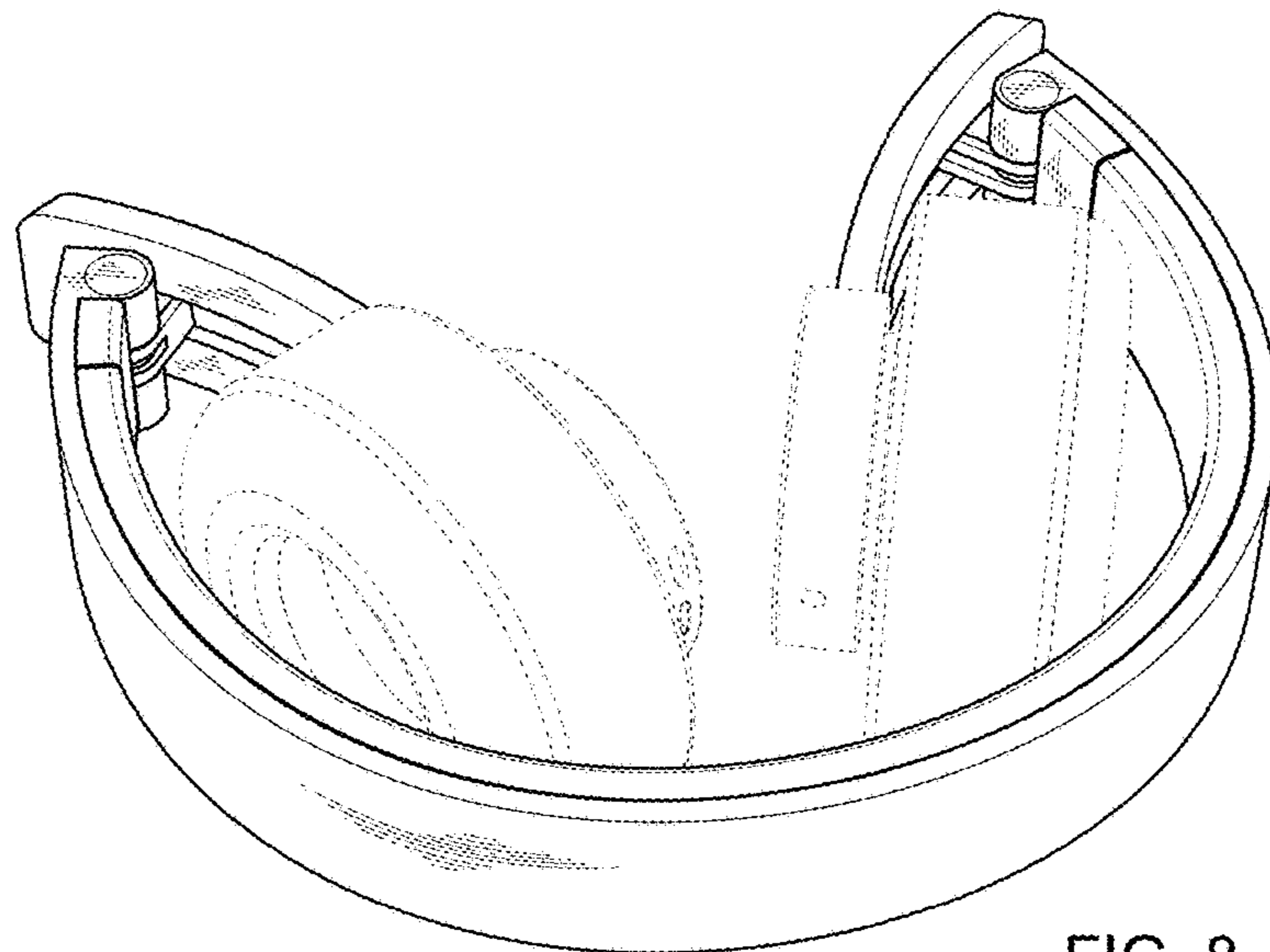


FIG. 8

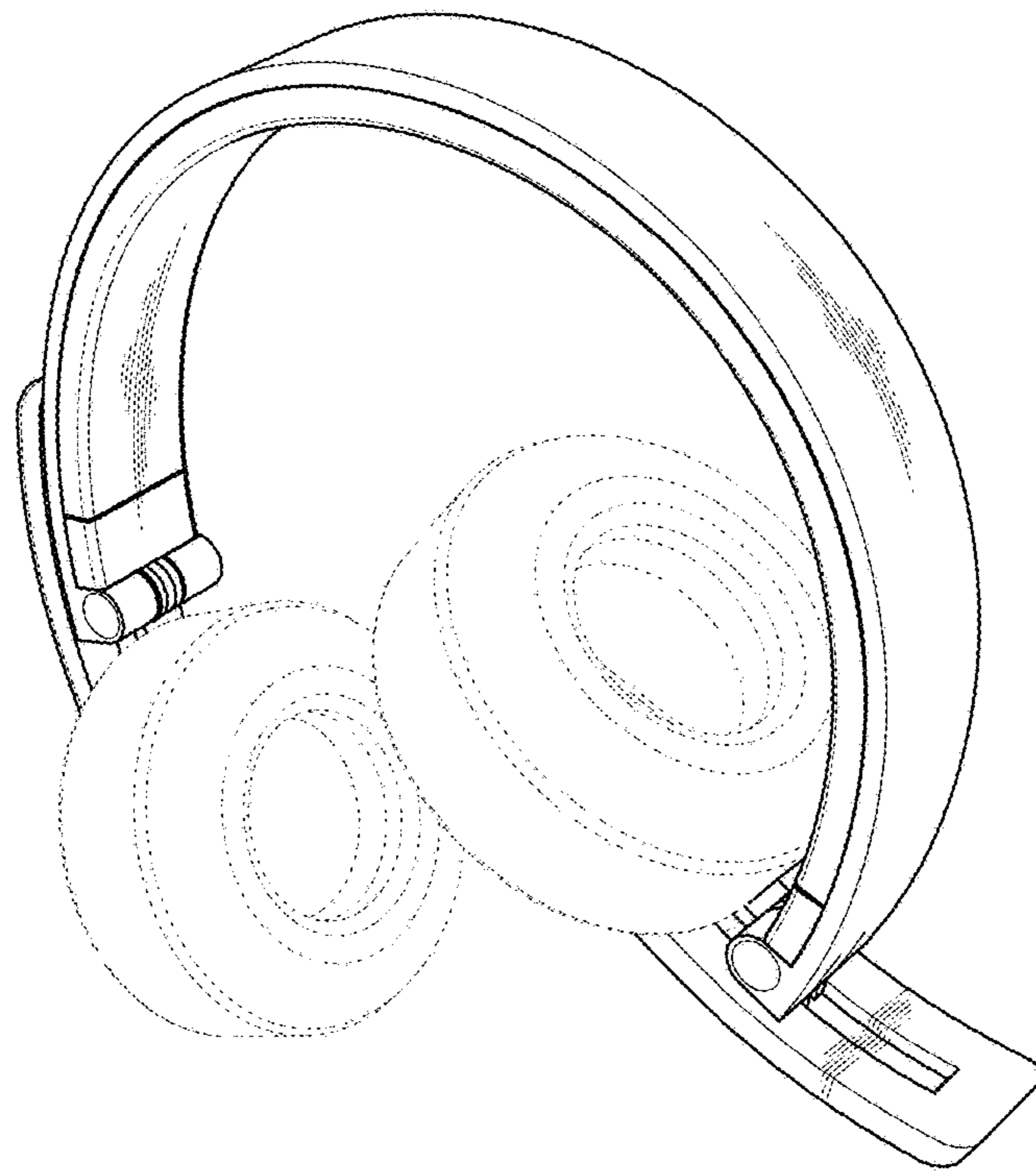


FIG. 9