



US00D870064S

(12) **United States Design Patent**
Petersen

(10) **Patent No.:** **US D870,064 S**

(45) **Date of Patent:** **** *Dec. 17, 2019**

- (54) **HEADPHONE**
- (71) Applicant: **Zound Industries International AB**,
Stockholm (SE)
- (72) Inventor: **Erik Petersen**, Trangsund (SE)
- (73) Assignee: **Zound Industries International AB**,
Stockholm (SE)
- (*) Notice: This patent is subject to a terminal disclaimer.
- (**) Term: **15 Years**
- (21) Appl. No.: **29/625,676**
- (22) Filed: **Nov. 10, 2017**

(30) **Foreign Application Priority Data**

May 11, 2017 (EM) 003996883-0005

- (51) **LOC (12) Cl.** **14-01**
- (52) **U.S. Cl.**
USPC **D14/205**
- (58) **Field of Classification Search**
USPC D14/205, 206; D29/112; 2/209;
181/129, 130, 135; 379/430, 431;
381/380, 381, 374, 74; 455/90.3, 575.1,
455/569.1
CPC H04R 1/10; H04R 1/1066; H04R 1/1016;
H04R 25/00; H04R 5/0335; H04R 5/033
See application file for complete search history.

(56) **References Cited**

U.S. PATENT DOCUMENTS

- 2,149,341 A * 3/1939 Harrison H04R 1/1066
248/274.1
- 2,993,962 A * 7/1961 Hothem H04M 1/05
379/430

- 3,097,406 A * 7/1963 Yarborough A45C 13/185
24/11 P
- 3,440,663 A * 4/1969 Beguin A61F 11/14
2/209
- 3,505,684 A * 4/1970 Hutchinson A61F 11/14
2/209
- 3,810,525 A * 5/1974 Crenna H04R 1/1008
181/129
- D254,616 S * 4/1980 Tabata D14/205
- 4,209,264 A * 6/1980 Hellberg A42B 3/166
403/80
- D270,634 S * 9/1983 Ungar D14/205
- D291,690 S * 9/1987 Tabachnik D14/205
- D299,454 S * 1/1989 Kwong D14/205
- 4,821,318 A * 4/1989 Wu H04M 1/05
379/430
- D301,145 S * 5/1989 Besasie D14/205
- D313,092 S * 12/1990 Nilsson D14/205
- D317,767 S * 6/1991 Banks D14/205
- D319,241 S * 8/1991 Daido D14/205
- 5,046,192 A * 9/1991 Ryder A61F 9/045
2/12
- 5,384,857 A * 1/1995 Nordin A61F 11/14
381/374

(Continued)

Primary Examiner — Paula Allen Greene

(74) *Attorney, Agent, or Firm* — Alonzo & Associates;
Arlyn Alonzo

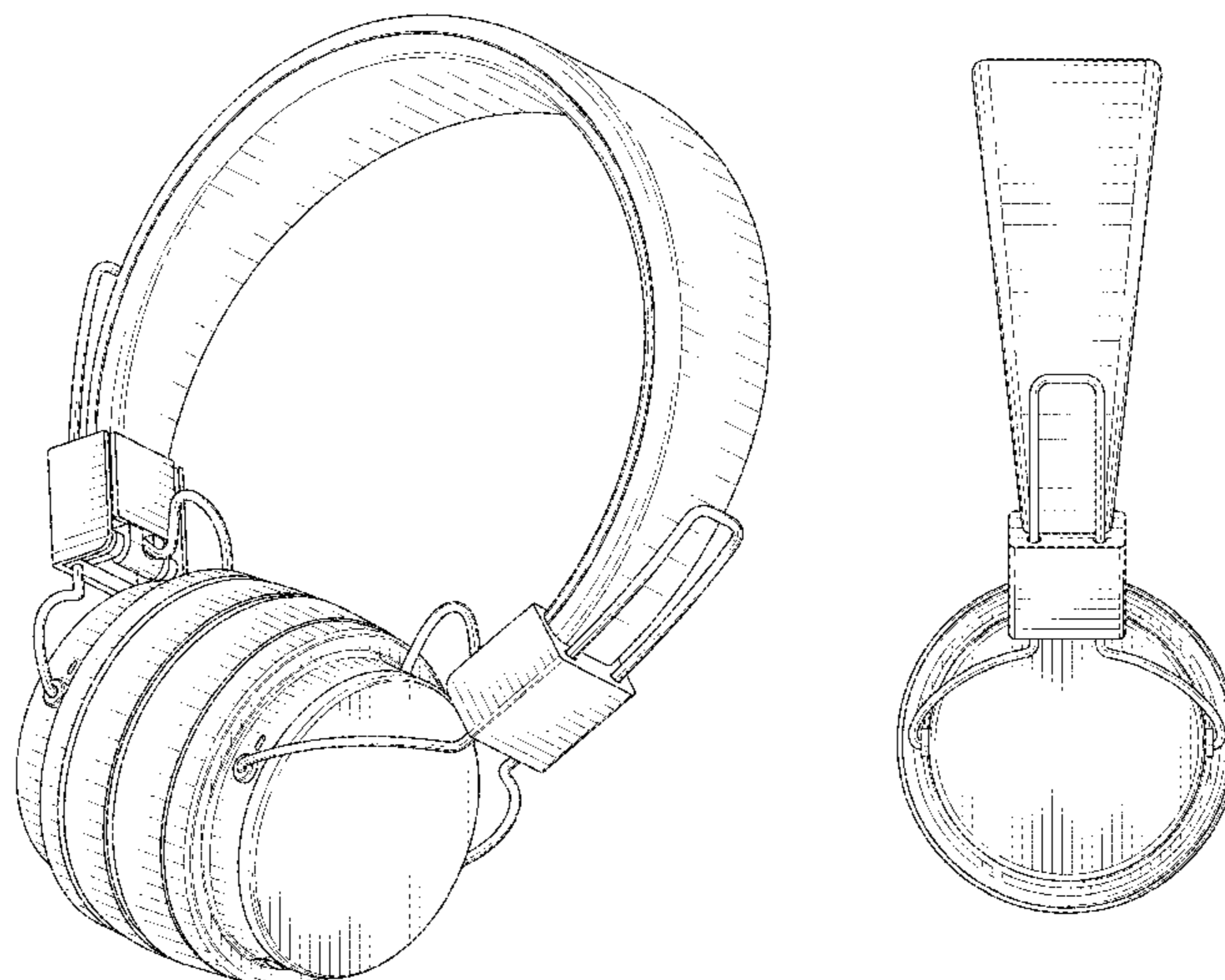
(57) **CLAIM**

The ornamental design for a headphone, as shown and described.

DESCRIPTION

FIG. 1 is a perspective view of a headphone showing my new design;
 FIG. 2 is a front view thereof.
 FIG. 3 is a back view thereof.
 FIG. 4 is a left side view thereof.
 FIG. 5 is a right side view thereof.
 FIG. 6 is a top view thereof; and,
 FIG. 7 is a bottom view thereof.

1 Claim, 7 Drawing Sheets



(56)

References Cited

U.S. PATENT DOCUMENTS

5,574,795 A * 11/1996 Seki H04R 5/0335
 381/370
 6,449,806 B1 * 9/2002 Engelhard H04M 1/05
 2/209
 6,611,963 B2 * 9/2003 Woo A61F 11/14
 2/209
 D518,474 S * 4/2006 Suzuki D14/205
 D519,497 S * 4/2006 Komiyama D14/223
 D560,654 S * 1/2008 Feng D14/205
 D668,633 S * 10/2012 Enquist D14/205
 D688,648 S * 8/2013 Li D14/205
 8,646,466 B2 * 2/2014 Howard A45D 8/36
 132/275
 D700,590 S * 3/2014 Heath D14/205
 8,755,555 B2 * 6/2014 Dougherty H04R 1/1066
 381/370
 D733,090 S * 6/2015 Petersen D14/205
 D758,991 S * 6/2016 Petersen D14/205
 D790,504 S * 6/2017 Tam D14/205
 D795,218 S * 8/2017 Ohmachi D14/205
 D796,478 S * 9/2017 Minn D14/205
 D830,330 S * 10/2018 Petersen D14/205
 D830,331 S * 10/2018 Petersen D14/205
 D830,993 S * 10/2018 Petersen D14/205
 D837,763 S * 1/2019 Suzuki D14/205
 2008/0056525 A1 * 3/2008 Fujiwara H04R 1/1033
 381/374
 2016/0198250 A1 * 7/2016 Pan H04R 1/1041
 381/74

* cited by examiner

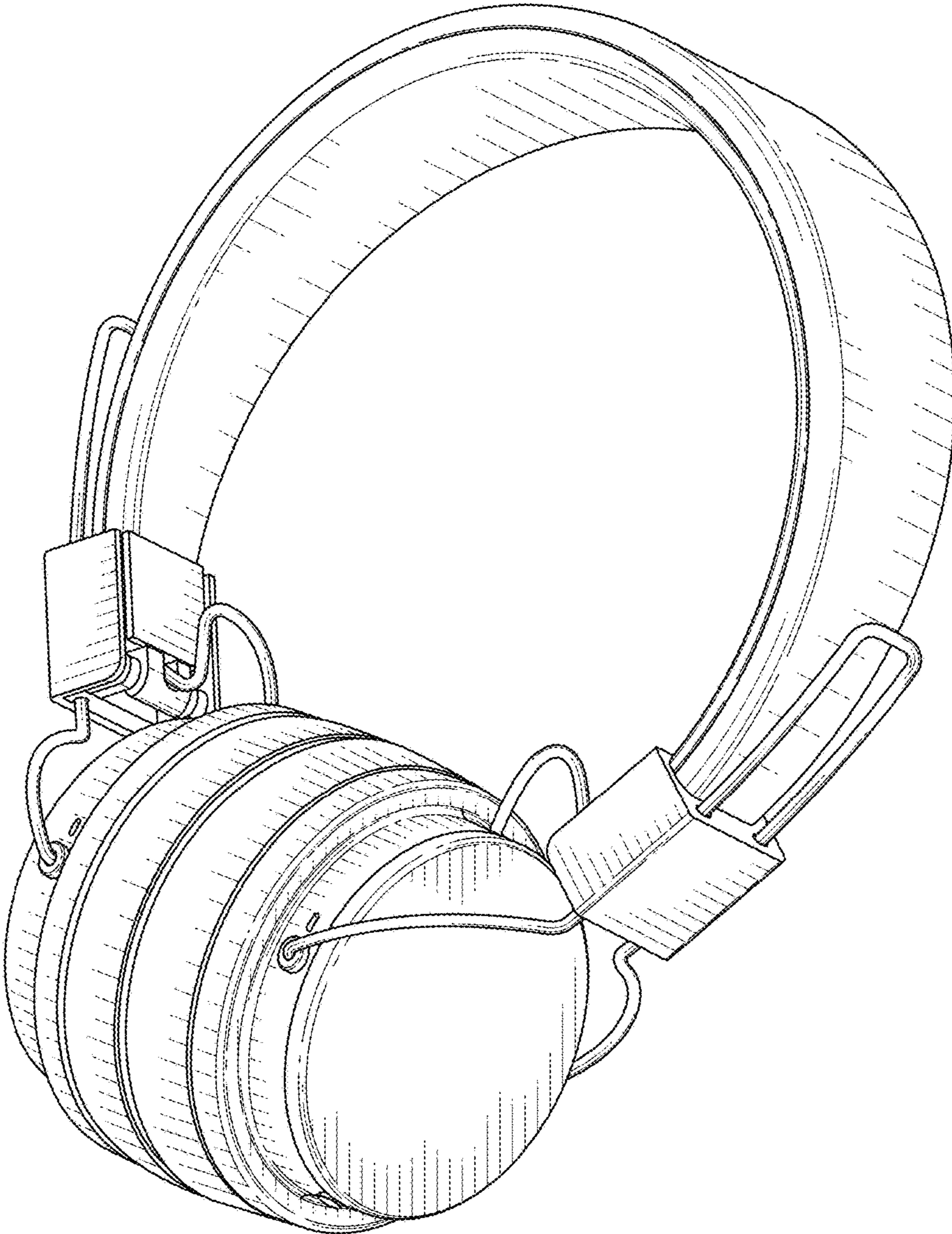


FIG. 1

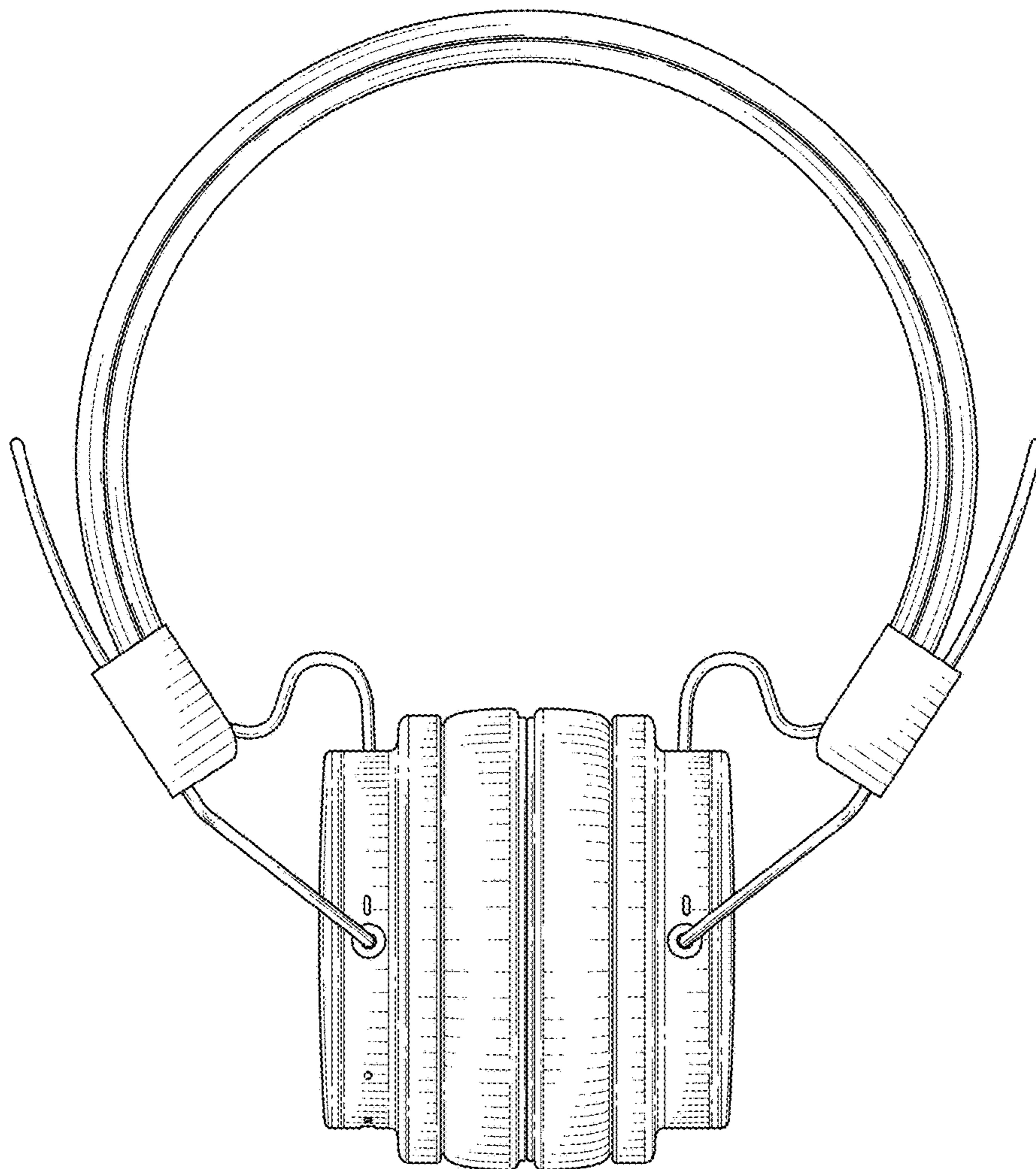


FIG. 2

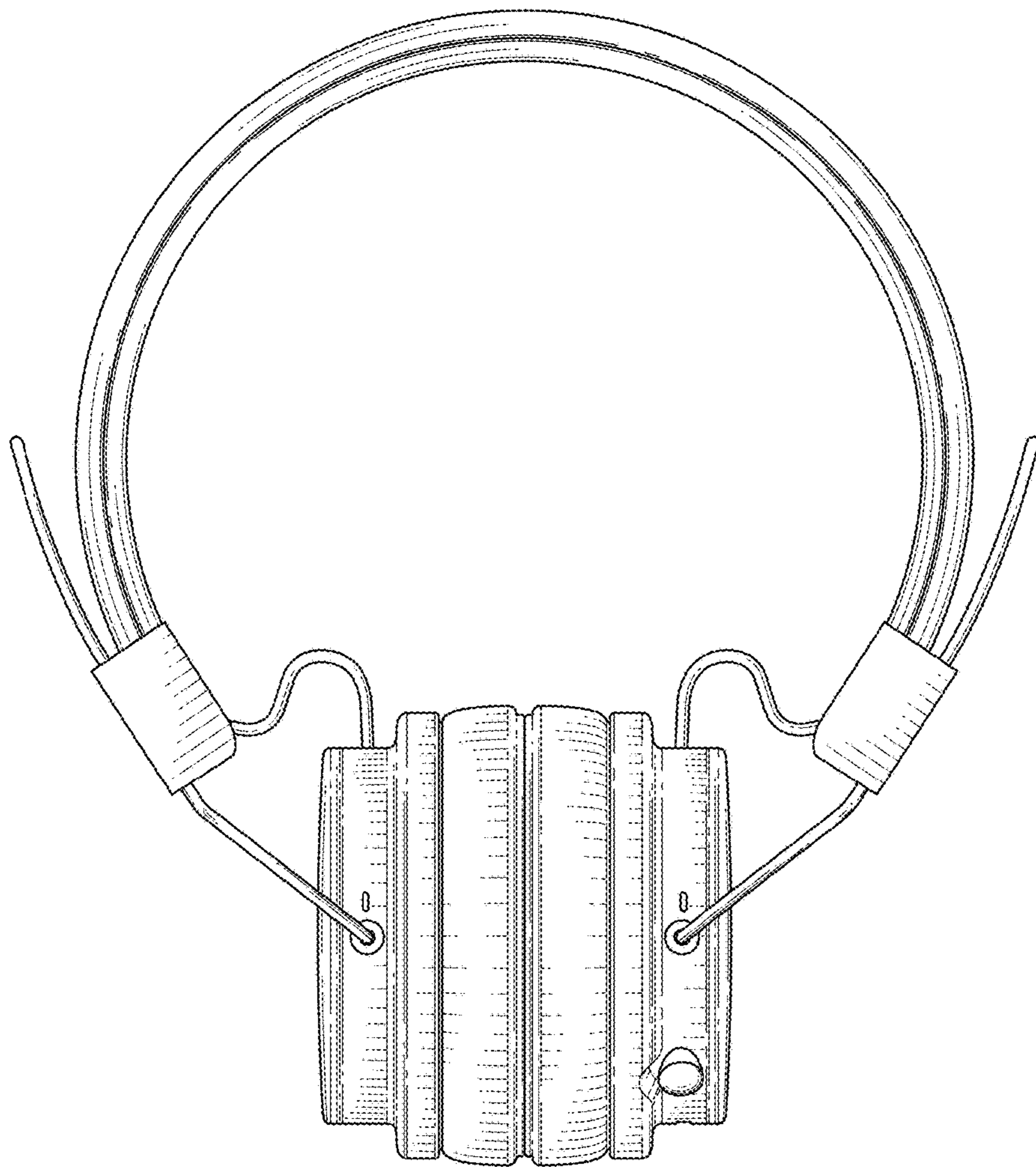


FIG. 3

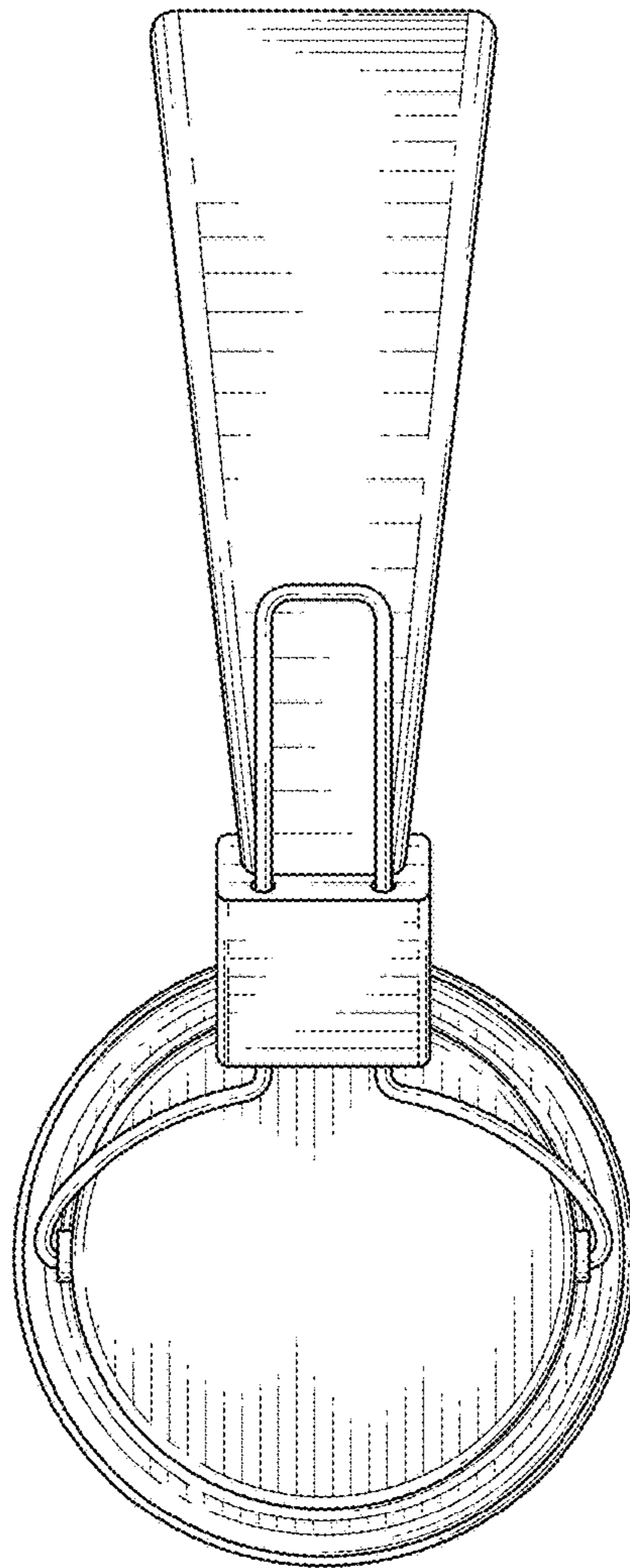


FIG. 4

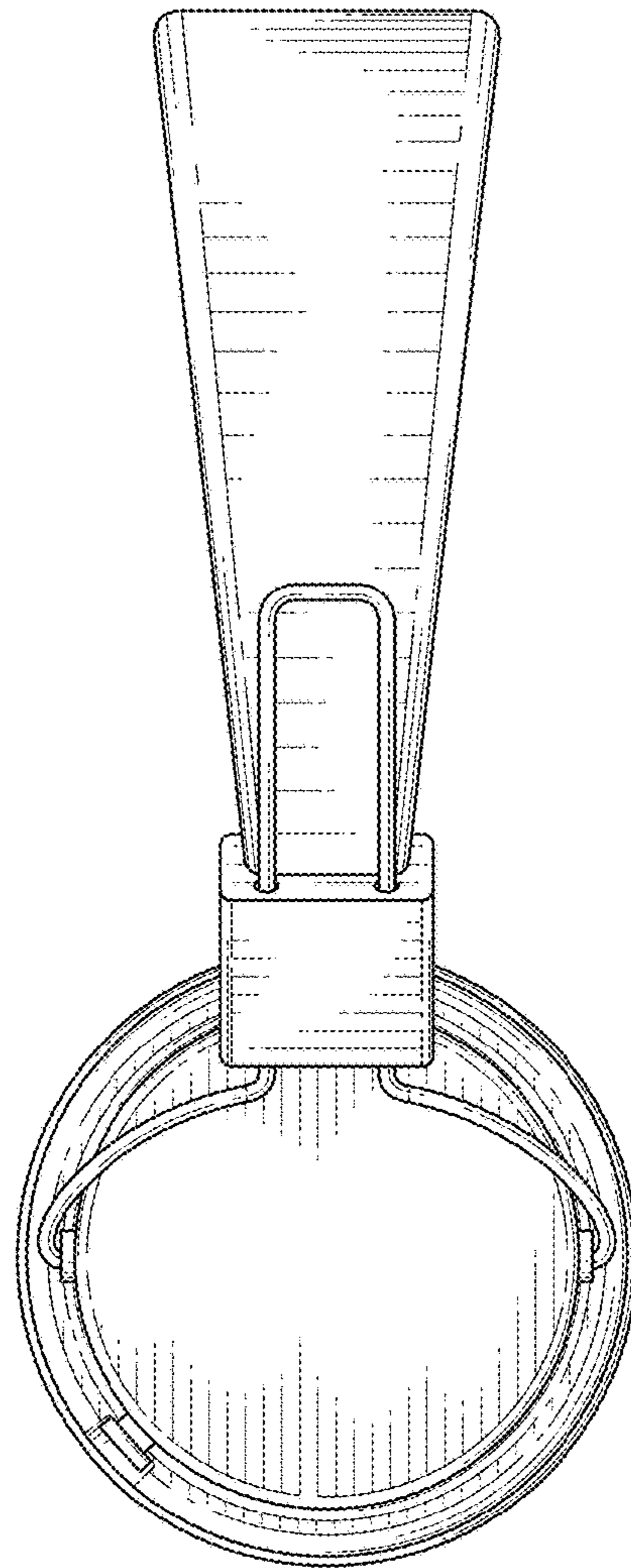


FIG. 5

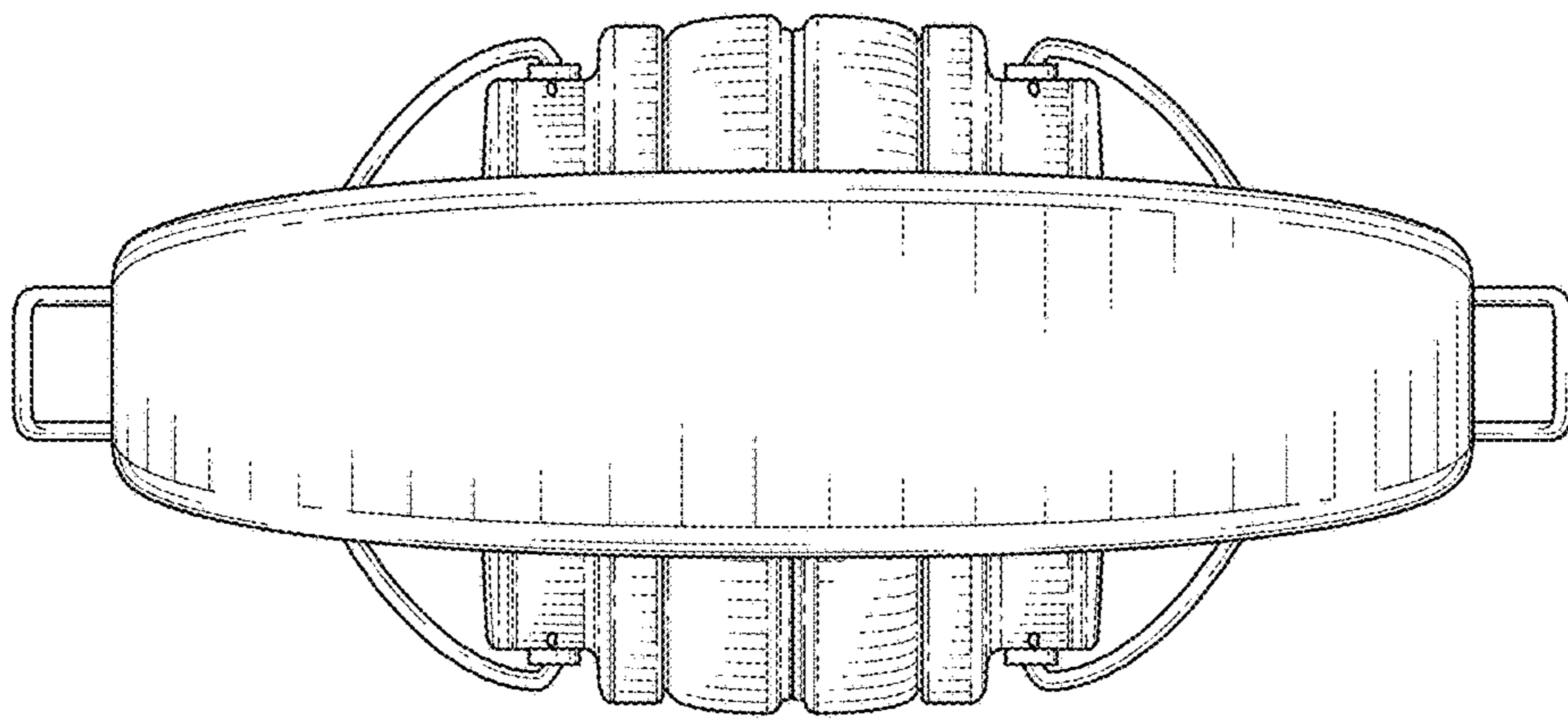


FIG. 6

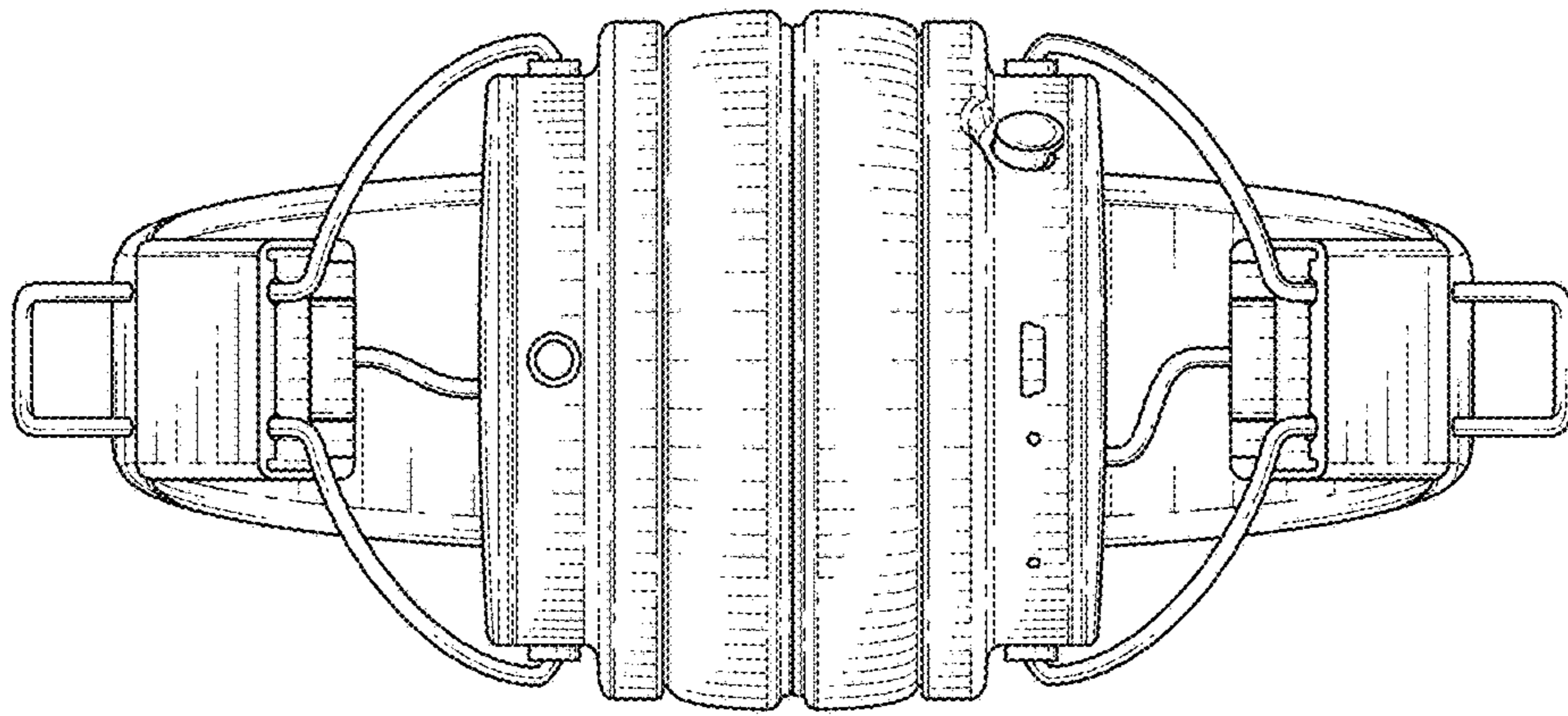


FIG. 7