



US00D870063S

(12) **United States Design Patent** (10) **Patent No.:** **US D870,063 S**  
**Deyaf** (45) **Date of Patent:** **\*\* Dec. 17, 2019**

(54) **SPEAKER**  
(71) Applicant: **SpeedTech Lights, Inc.**, Buda, TX (US)  
(72) Inventor: **Malik Deyaf**, Buda, TX (US)  
(73) Assignee: **SpeedTech Lights, Inc.**, Buda, TX (US)  
(\*\*) Term: **15 Years**  
(21) Appl. No.: **29/699,178**  
(22) Filed: **Jul. 23, 2019**  
(51) **LOC (12) Cl.** ..... **14-01**  
(52) **U.S. Cl.**  
USPC ..... **D14/204**  
(58) **Field of Classification Search**  
USPC .... D14/167, 168, 170-172, 188, 204, 209.1, D14/210-216, 219, 221, 222, 224; 181/144, 148, 153, 157, 198; 369/6-12; 381/301-303, 306, 332, 334, 336, 345, 381/361-363, 386-388  
CPC ..... G06F 1/1688; H04R 1/02; H04R 1/025; H04R 1/026; H04R 1/323; H04R 1/403; H04R 1/2803; H04R 1/2834; H04R 5/02; H04R 9/06; H04R 2201/021; H04R 2400/00; H04R 2400/07; H04R 2499/11  
See application file for complete search history.

D334,935 S 4/1993 Goto  
D397,635 S 9/1998 Chu  
D405,794 S \* 2/1999 Olsen ..... D14/204  
D453,306 S \* 2/2002 Bekasi ..... D10/120  
D470,127 S \* 2/2003 Inoue ..... D14/214  
D516,448 S \* 3/2006 Lai ..... D10/120  
D518,023 S 3/2006 Miller  
D639,688 S 6/2011 Neufeglise  
8,265,320 B2 9/2012 Datz et al.  
D740,252 S \* 10/2015 Mackiewicz ..... D14/204  
D748,600 S 2/2016 Deyaf  
D784,542 S \* 4/2017 Zwierstra ..... D24/186  
D803,218 S \* 11/2017 Zhou ..... D14/420  
D852,774 S 7/2019 Sugiura

\* cited by examiner

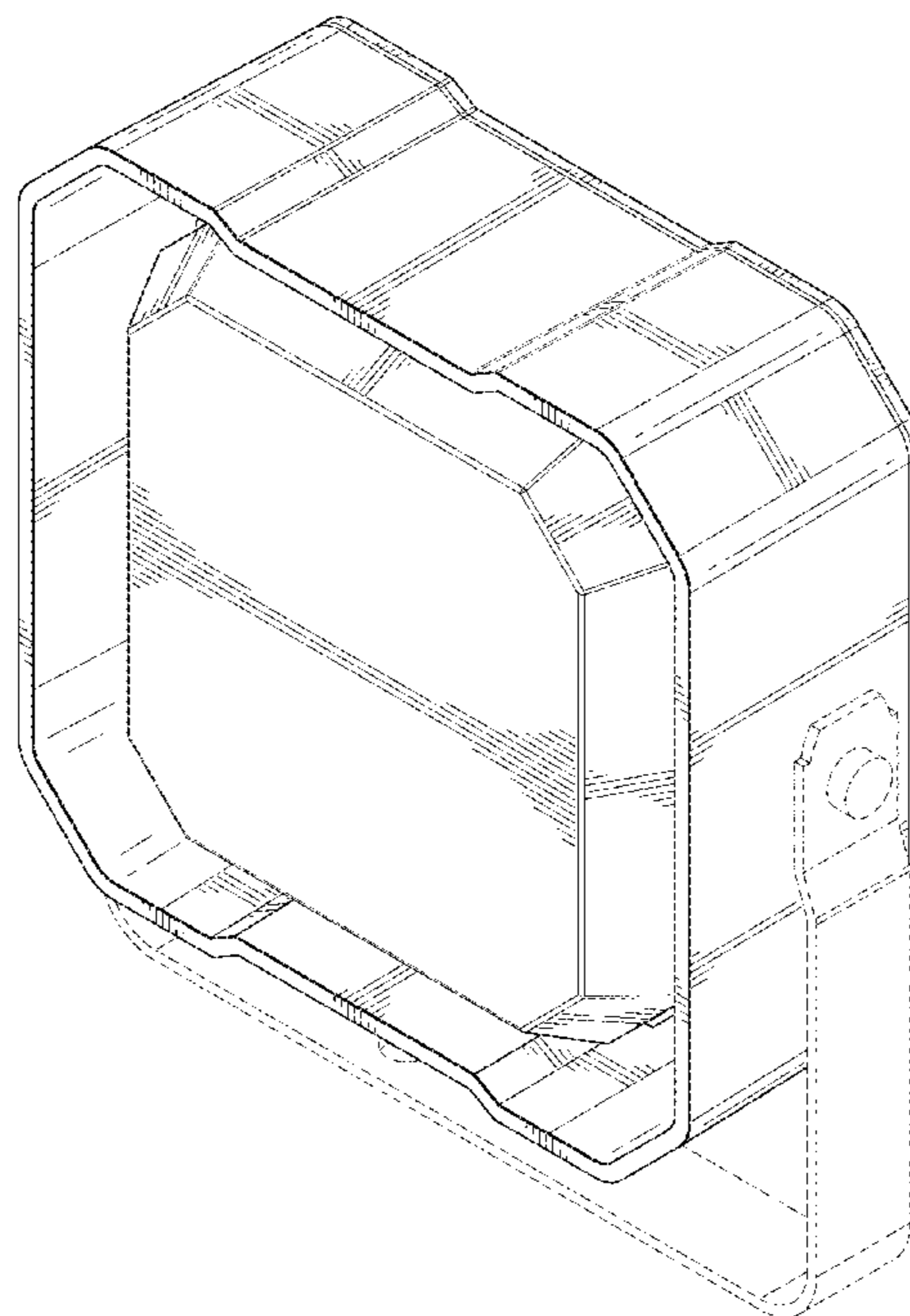
*Primary Examiner* — Janice Patyk

(56) **References Cited**  
U.S. PATENT DOCUMENTS  
D256,914 S \* 9/1980 Rams ..... D14/211  
D263,823 S 4/1982 Chapman

(57) **CLAIM**  
The ornamental design for a speaker, as shown and described.

**DESCRIPTION**  
FIG. 1 is a front perspective view of a speaker showing my new design;  
FIG. 2 is a front view thereof;  
FIG. 3 is a back view thereof;  
FIG. 4 is a left side view thereof;  
FIG. 5 is a right side view thereof;  
FIG. 6 is a top view thereof;  
FIG. 7 is a bottom view thereof; and,  
FIG. 8 is a rear perspective view thereof.  
The broken lines included illustrate portions of the speaker that form no part of the claimed design

**1 Claim, 6 Drawing Sheets**



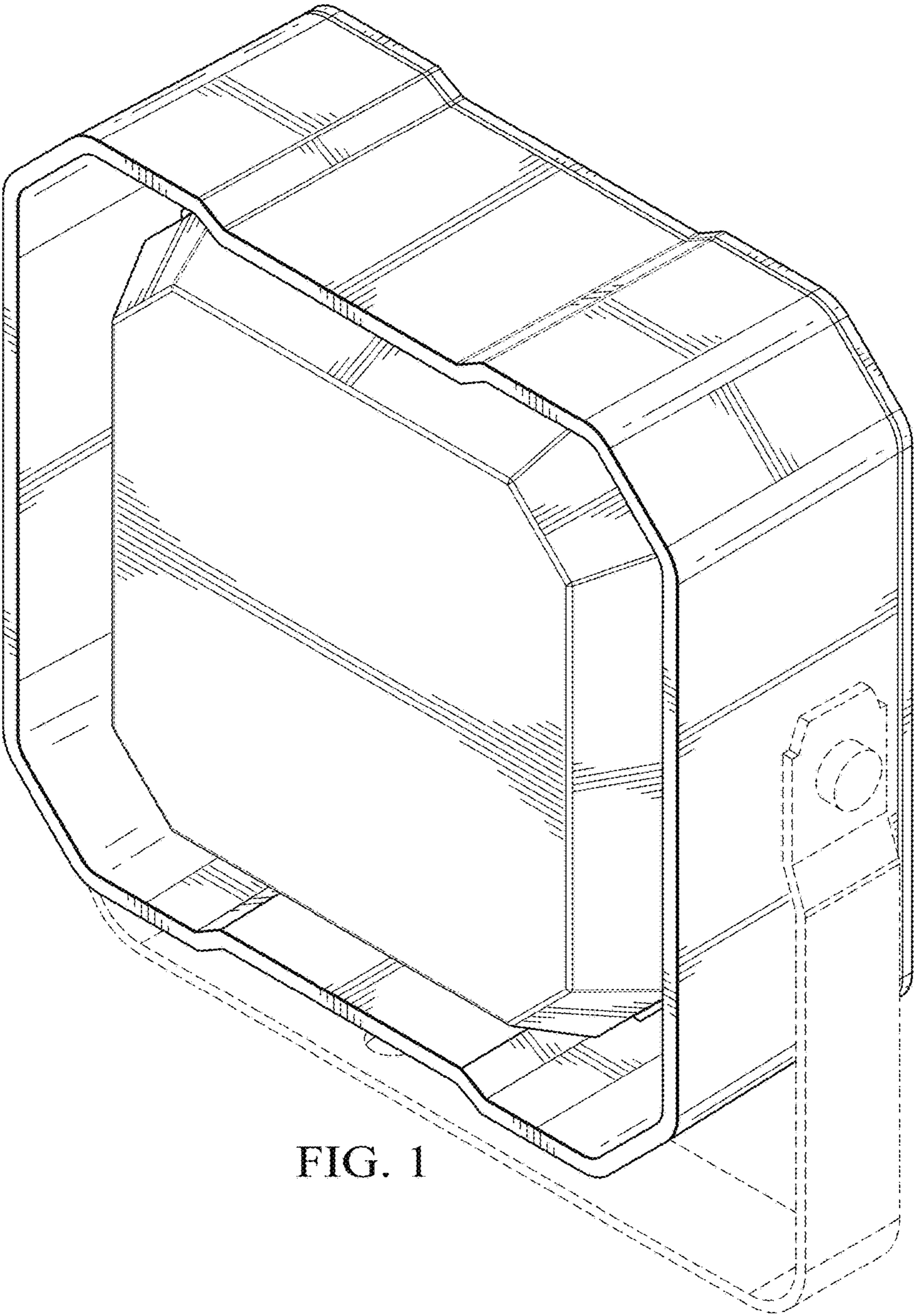


FIG. 1

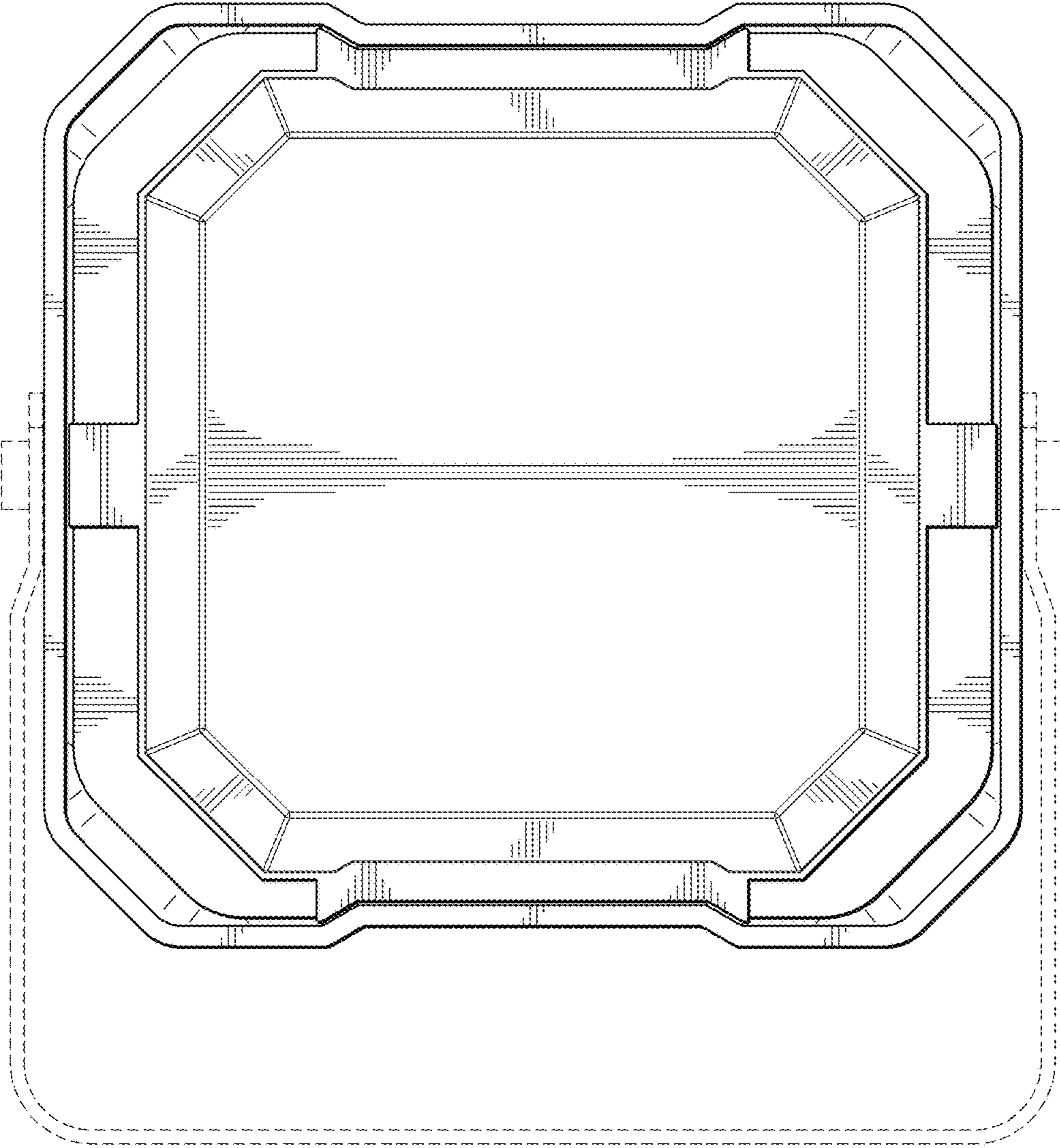


FIG. 2



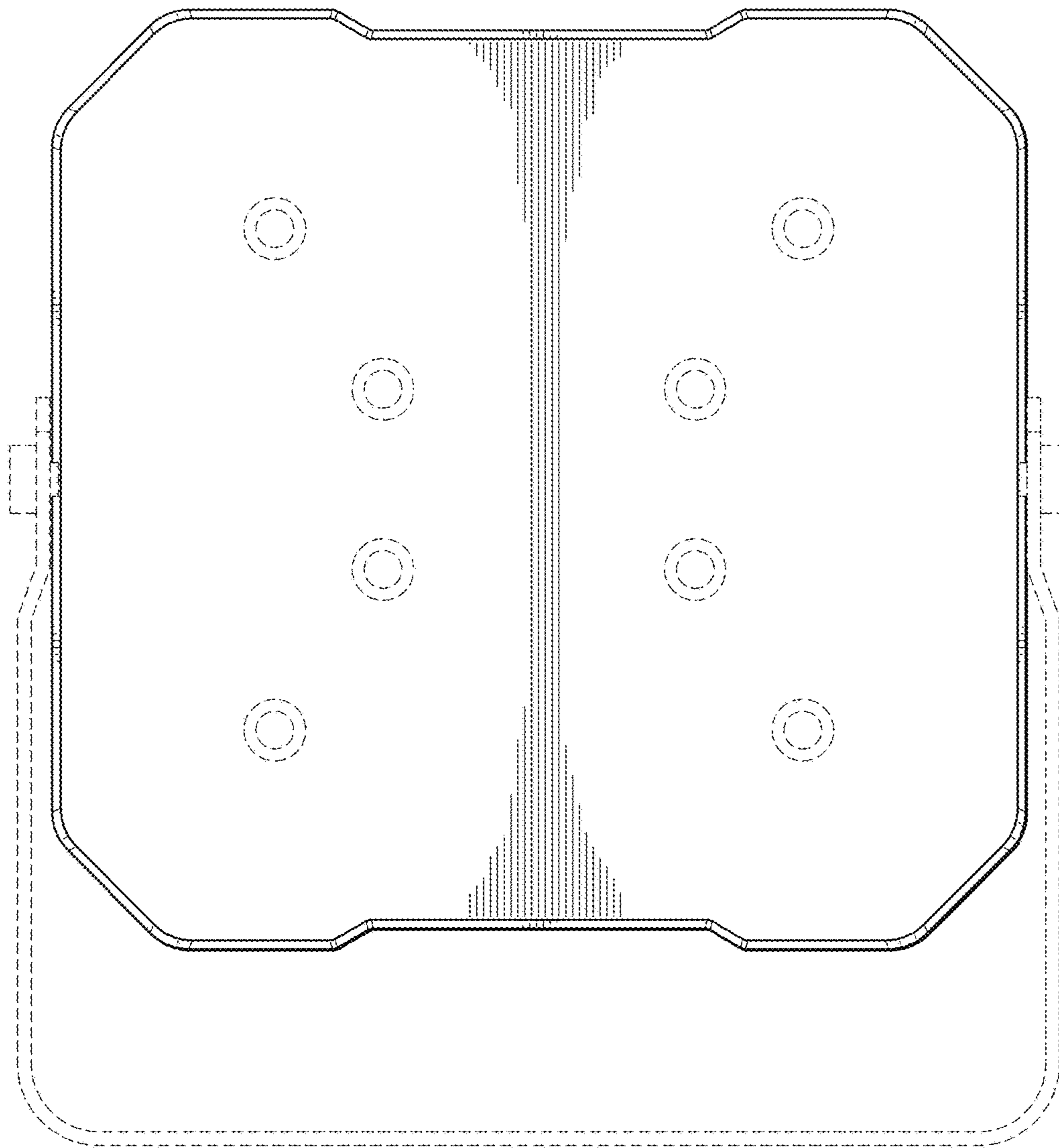


FIG. 3

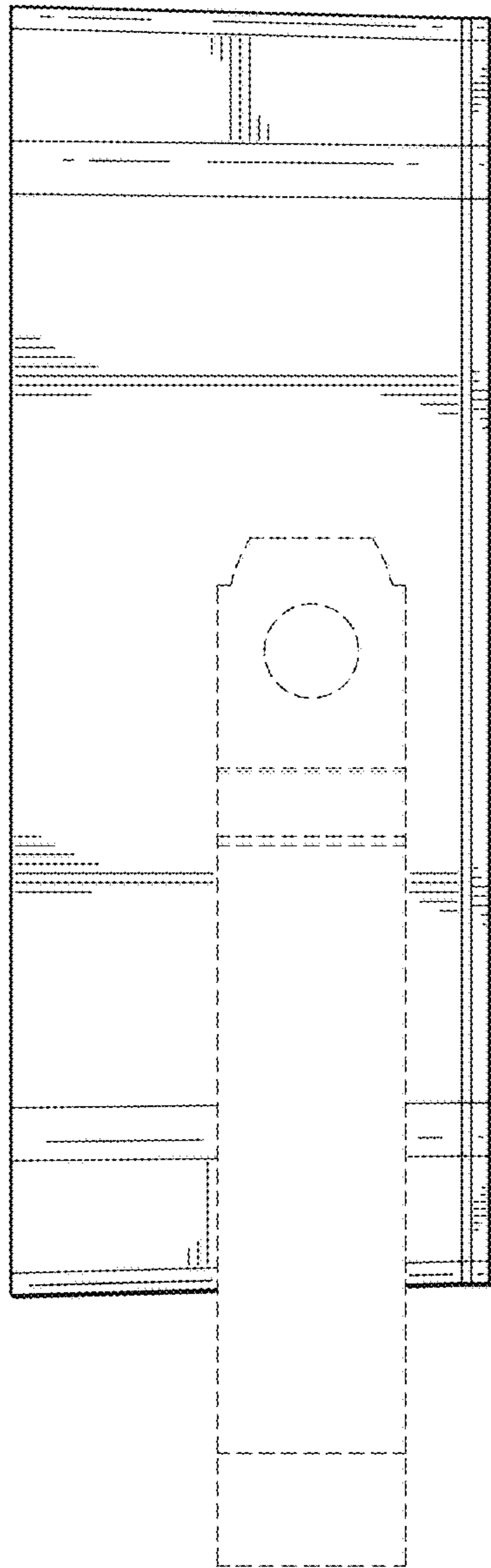


FIG. 4

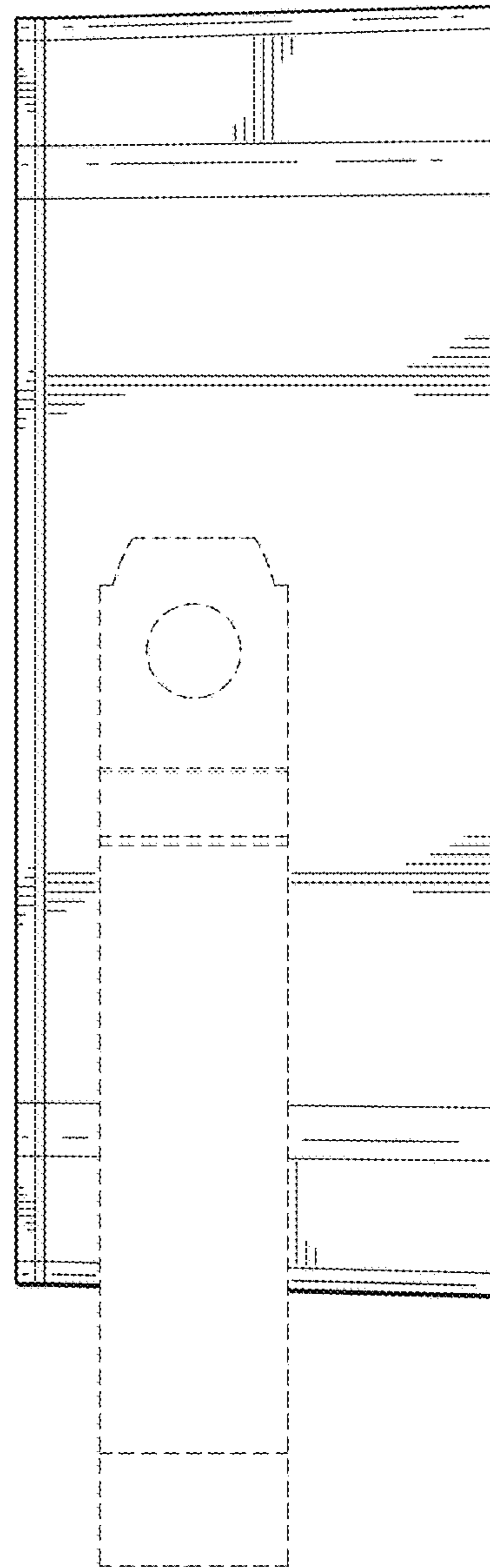


FIG. 5

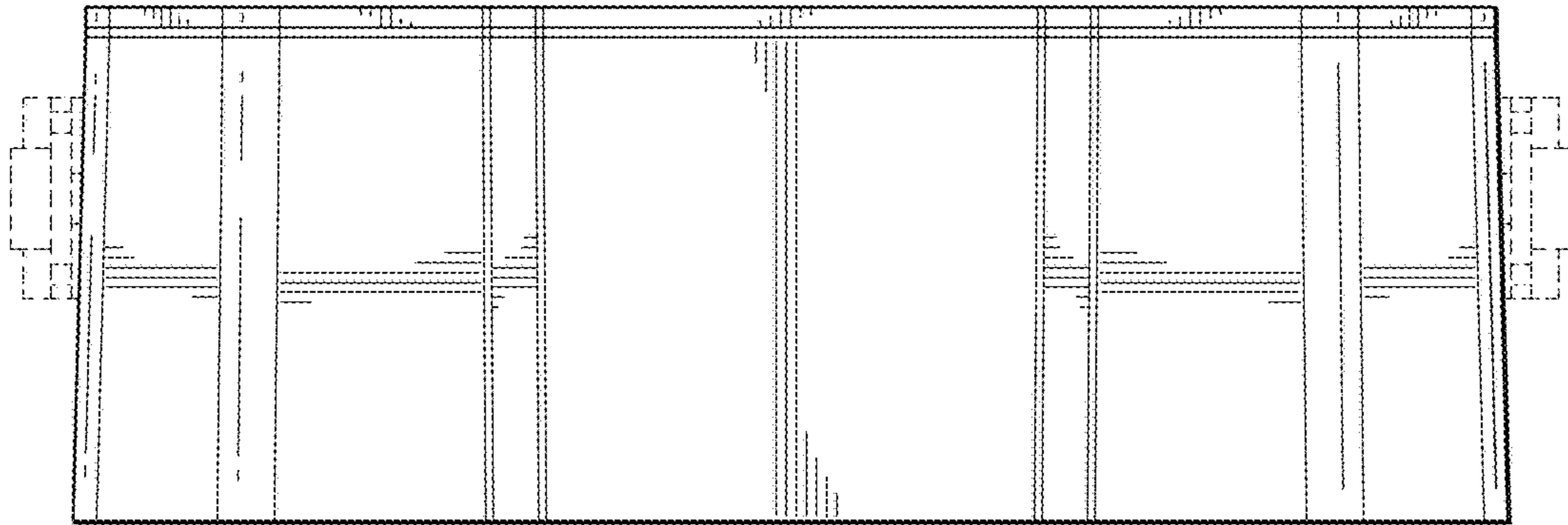


FIG. 6

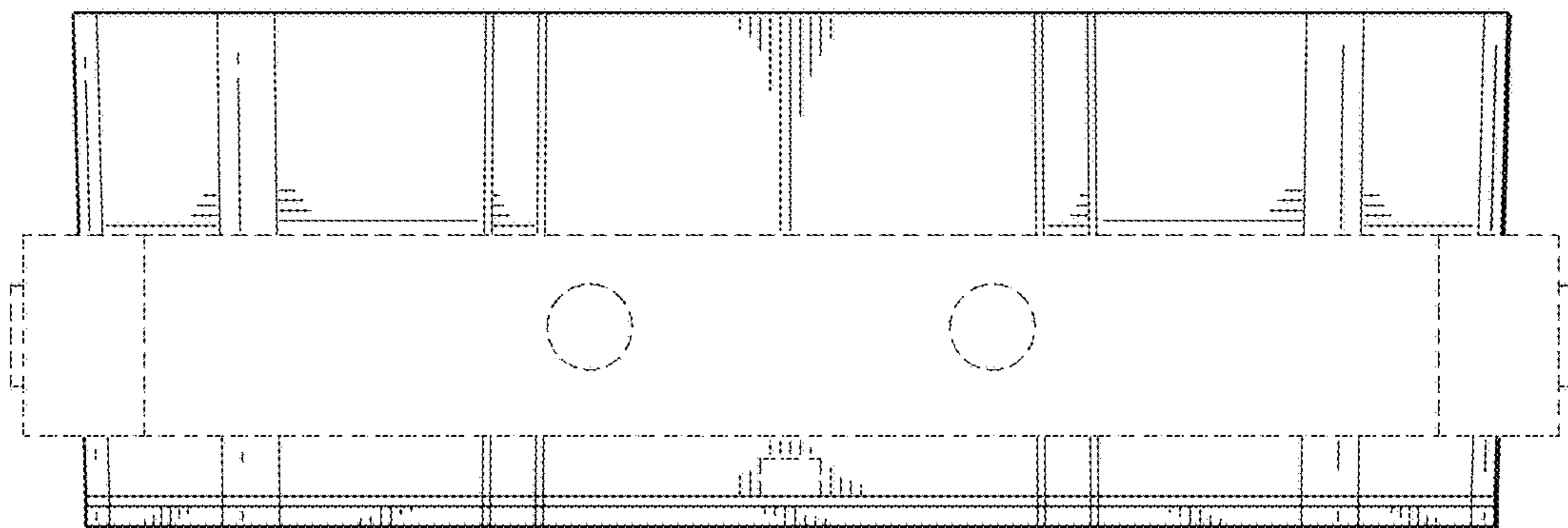


FIG. 7

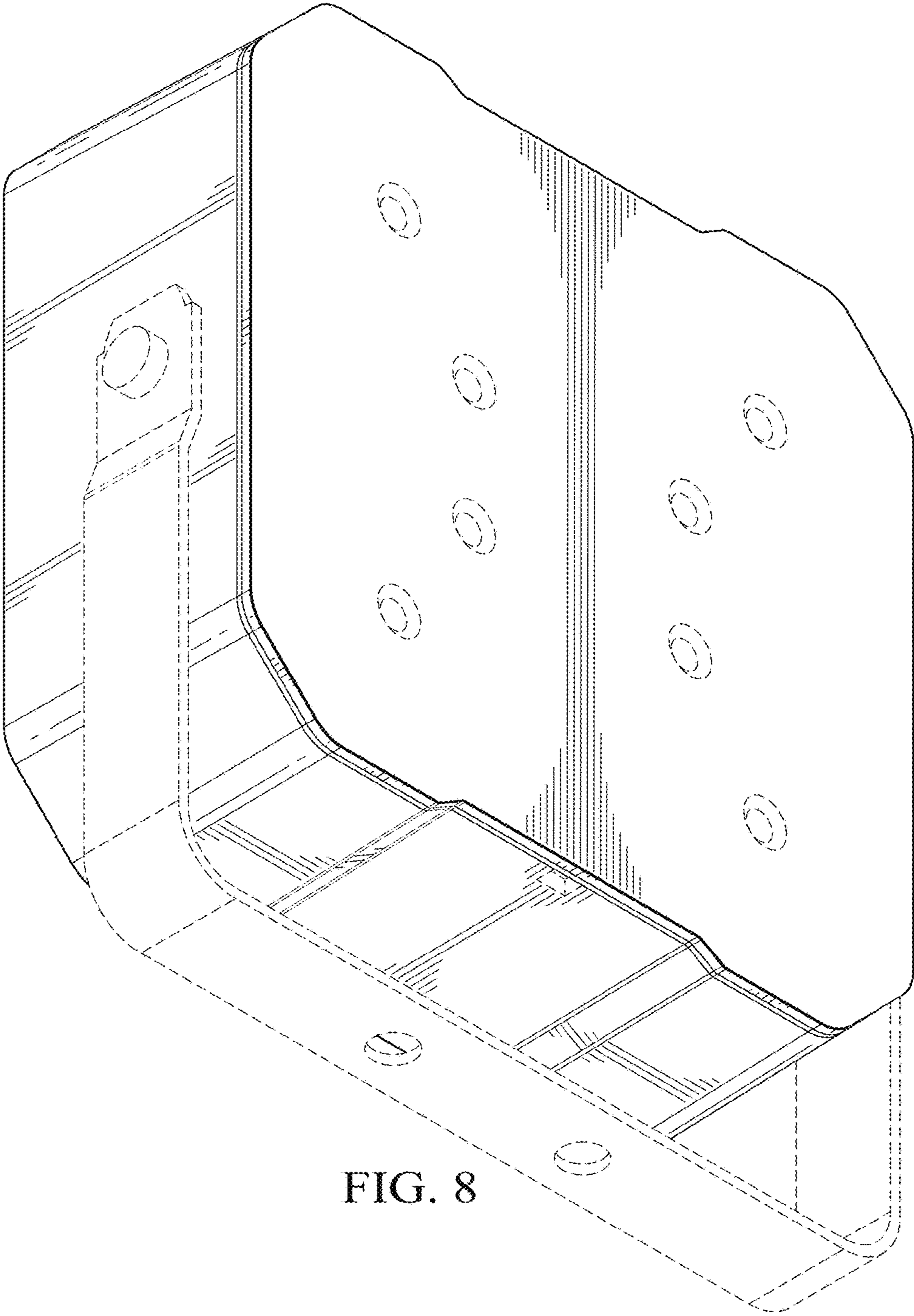


FIG. 8