



US00D870060S

(12) **United States Design Patent**
Zhang

(10) **Patent No.:** **US D870,060 S**

(45) **Date of Patent:** **** Dec. 17, 2019**

(54) **ELECTRONIC DEVICE**

D740,771 S * 10/2015 Daniel D14/125
D783,583 S * 4/2017 Moon D14/240

(71) Applicant: **Nanjing Magewell Electronics Co., Ltd.**

* cited by examiner

(72) Inventor: **Wei Zhang**, Nanjing (CN)

Primary Examiner — Randall H Gholson

(73) Assignee: **Nanjing Magewell Electronics Co., Ltd.**, Nanjing (CN)

(74) *Attorney, Agent, or Firm* — Donn K. Harms

(**) Term: **15 Years**

(57) **CLAIM**

(21) Appl. No.: **29/664,166**

The ornamental design for an electronic device, as shown and described.

(22) Filed: **Sep. 21, 2018**

(51) **LOC (12) Cl.** **14-03**

(52) **U.S. Cl.**
USPC **D14/125**

DESCRIPTION

(58) **Field of Classification Search**
USPC D14/125, 357–358, 496, 188, 242, 432;
D13/184; 348/10, 460, 706, 731;
340/825.03; 455/6.1, 6.2; 312/223.1, 7.2
CPC .. H04N 5/50; H04N 5/64; H05K 5/02; H05K
5/03; G06F 1/16
See application file for complete search history.

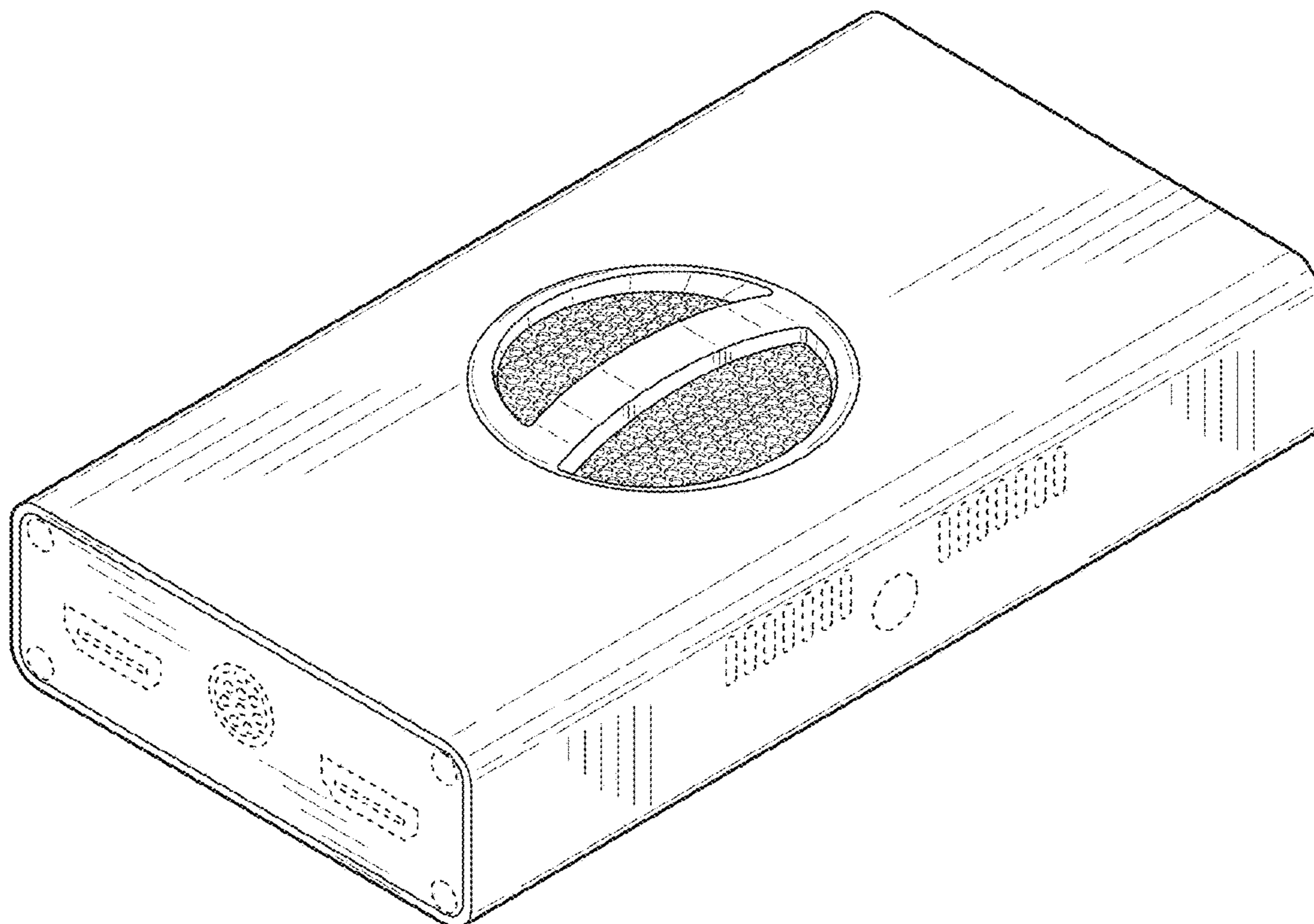
FIG. 1 is a top, front perspective view of an electronic device showing our new design;
FIG. 2 is a top, rear perspective view thereof;
FIG. 3 is a top view thereof;
FIG. 4 is a bottom view thereof;
FIG. 5 is a right side view thereof;
FIG. 6 is a left side view thereof;
FIG. 7 is a front view thereof; and,
FIG. 8 is a rear view thereof.
The broken lines illustrate portions of the electronic device which form no part of the claimed design.

(56) **References Cited**

U.S. PATENT DOCUMENTS

D682,806 S * 5/2013 Smith D14/155
D691,656 S * 10/2013 Merrill D19/60

1 Claim, 6 Drawing Sheets



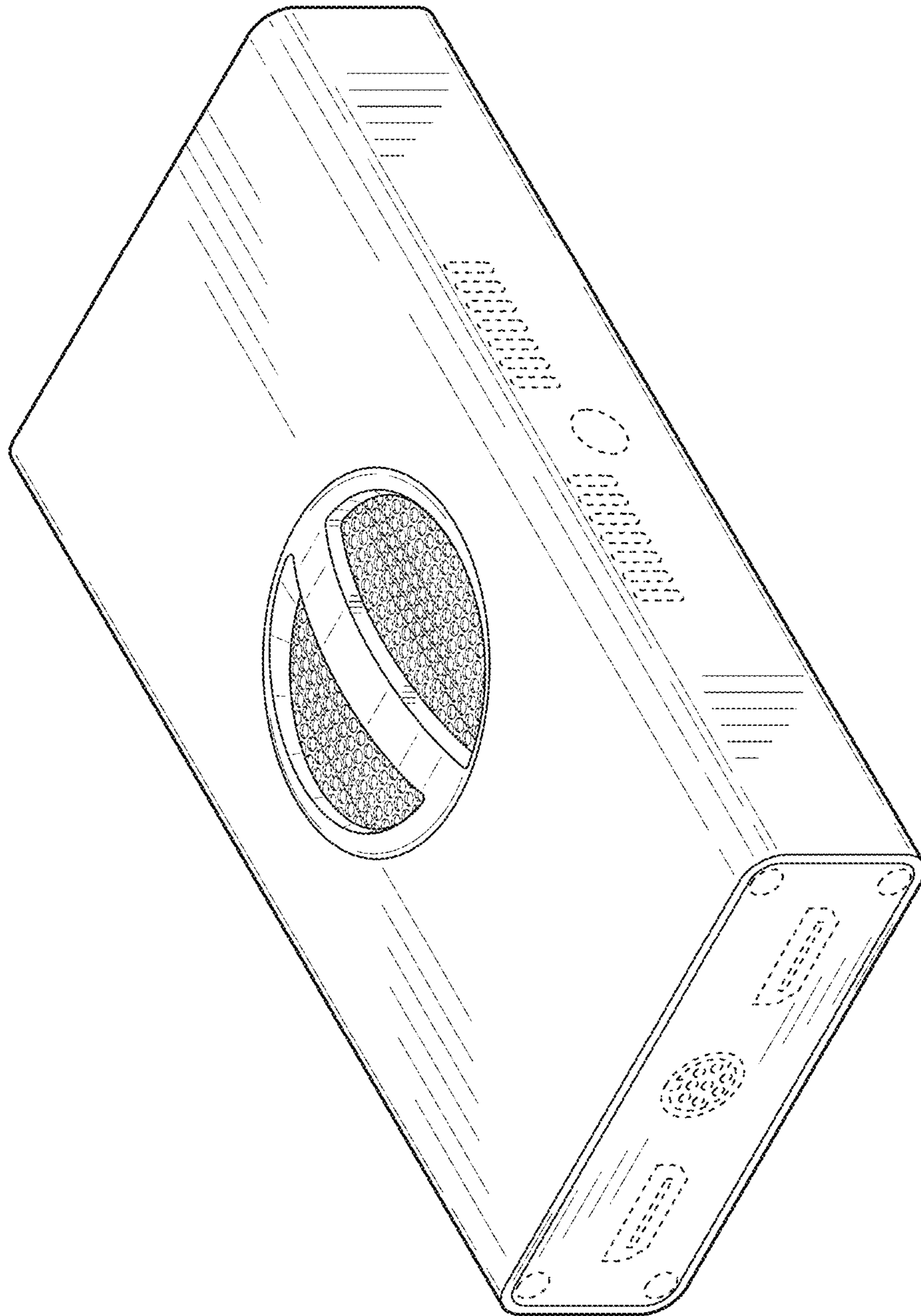


FIG. 1

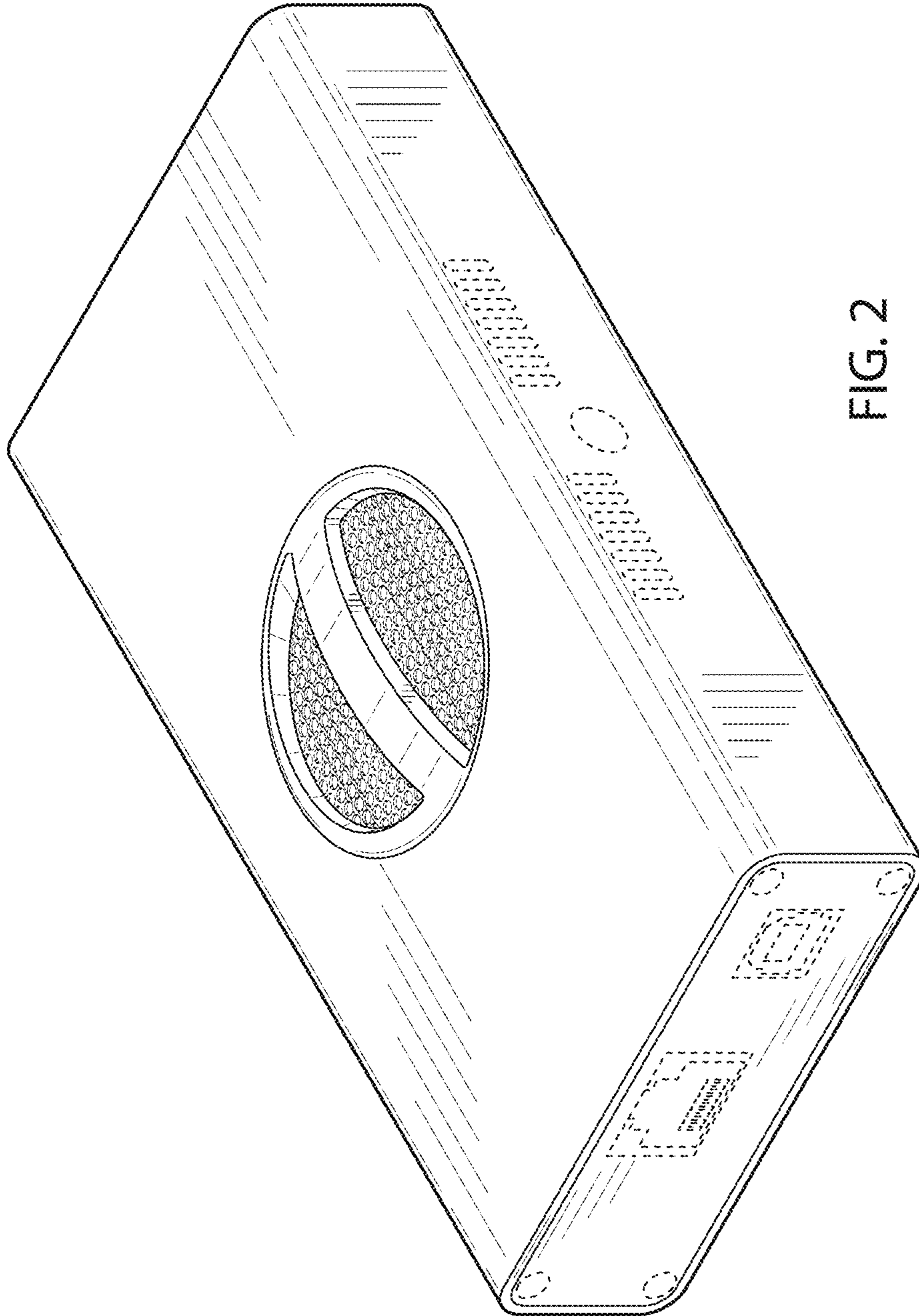


FIG. 2

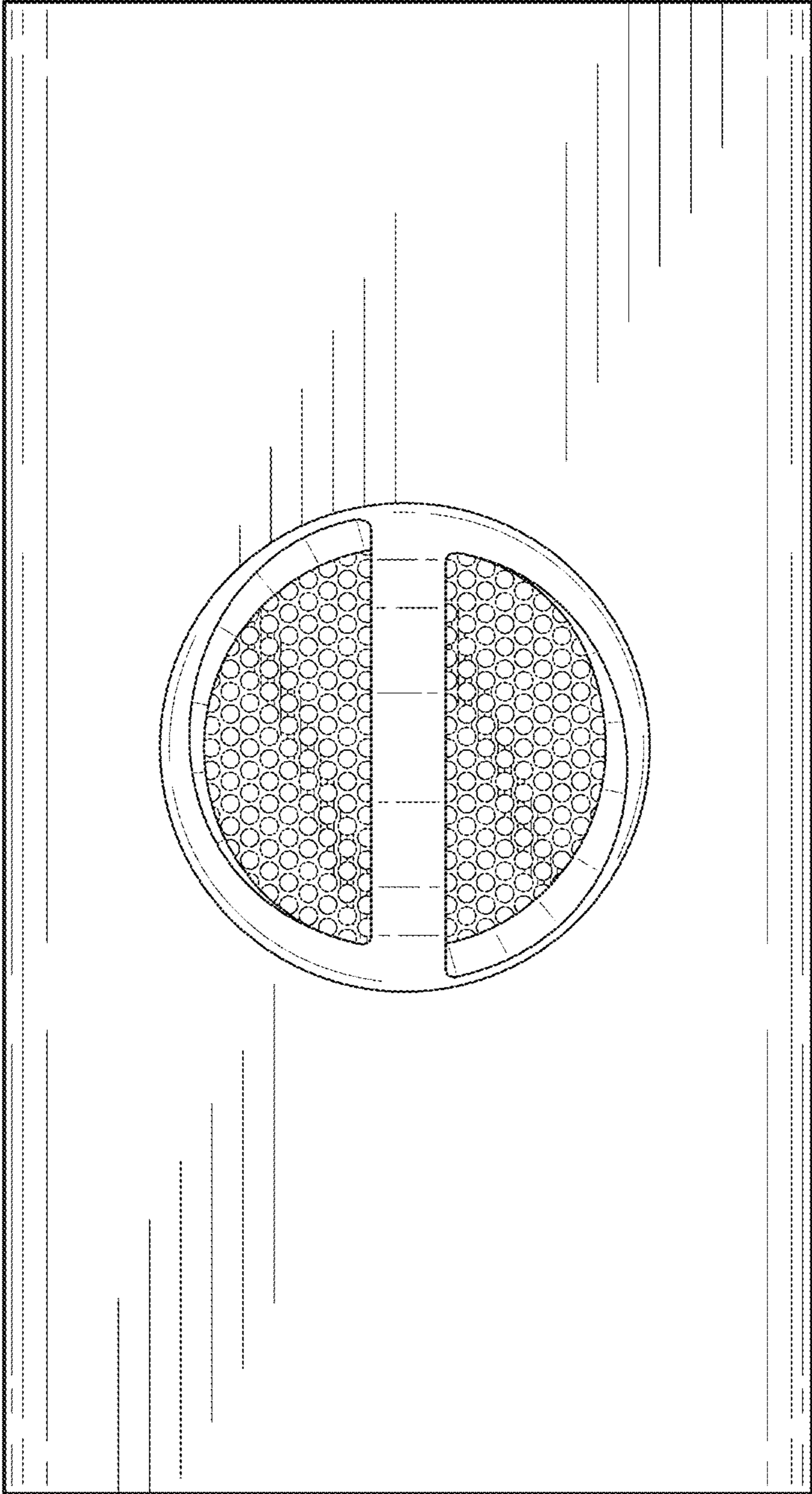


FIG. 3

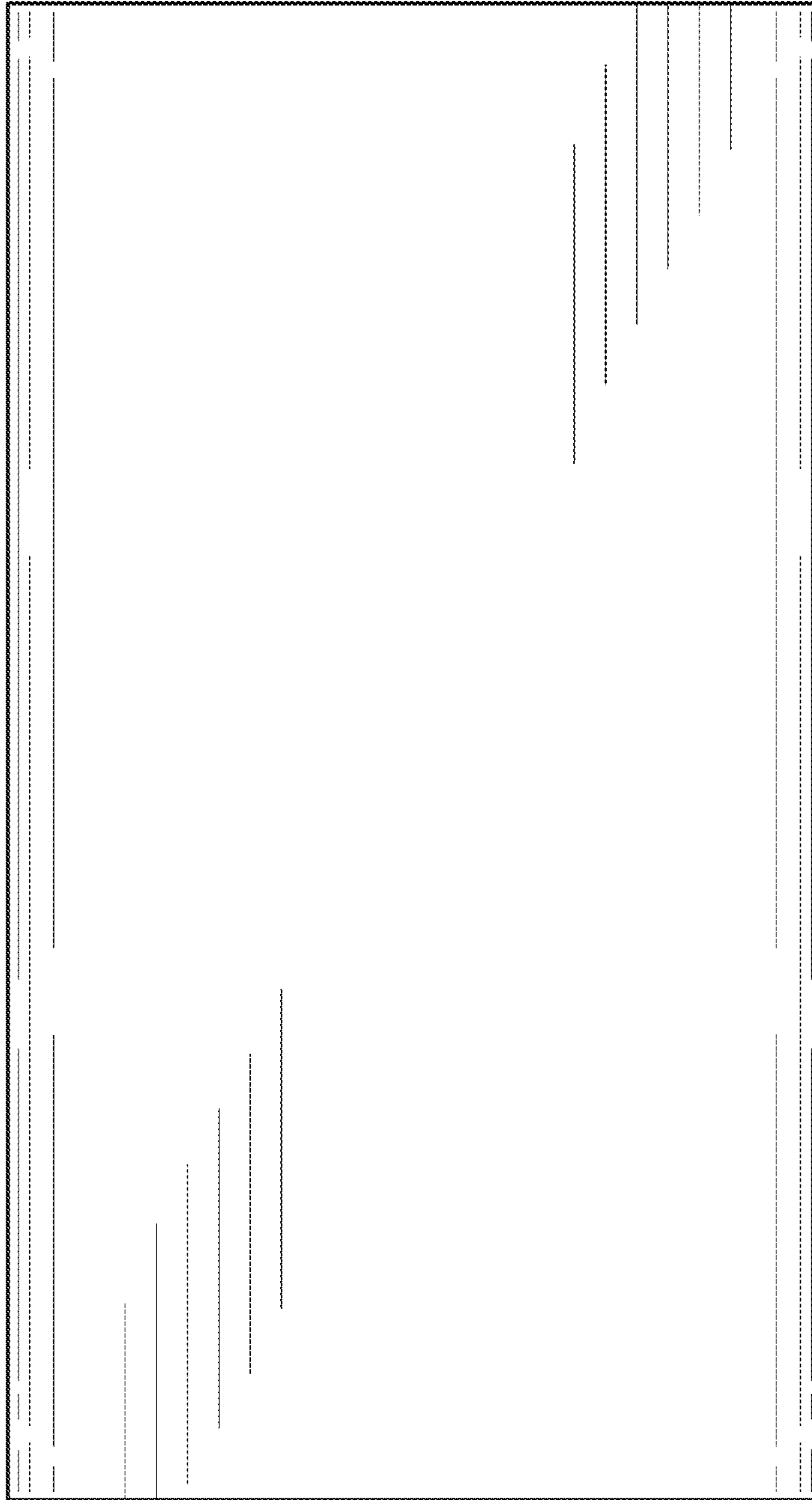


FIG. 4

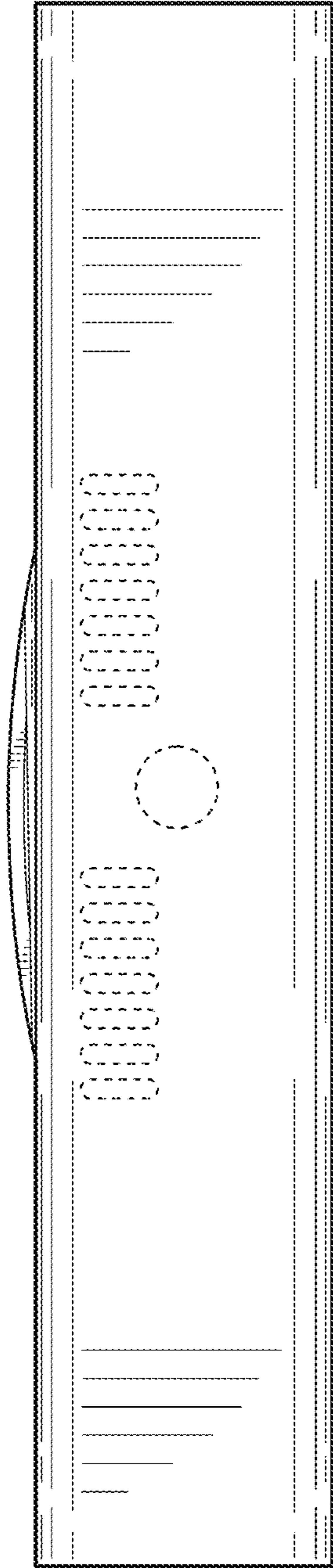


FIG. 5

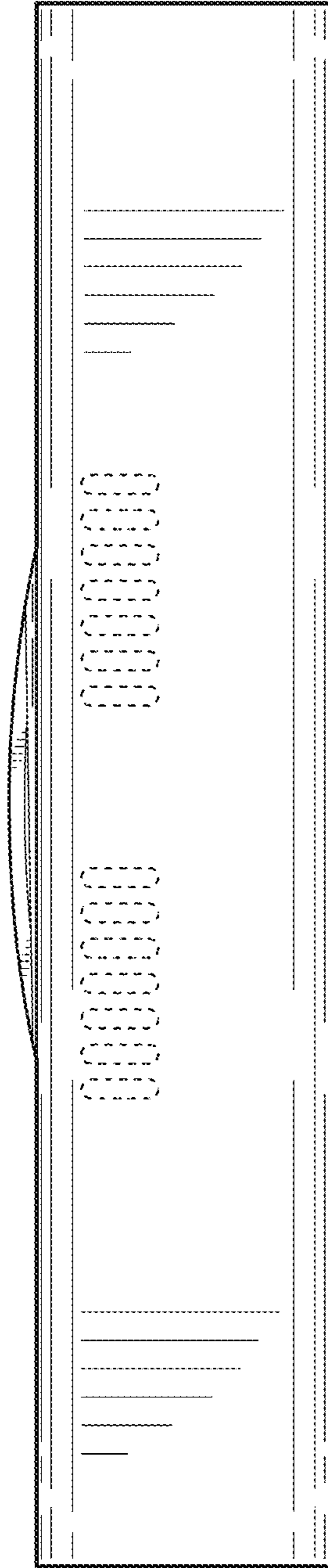


FIG. 6

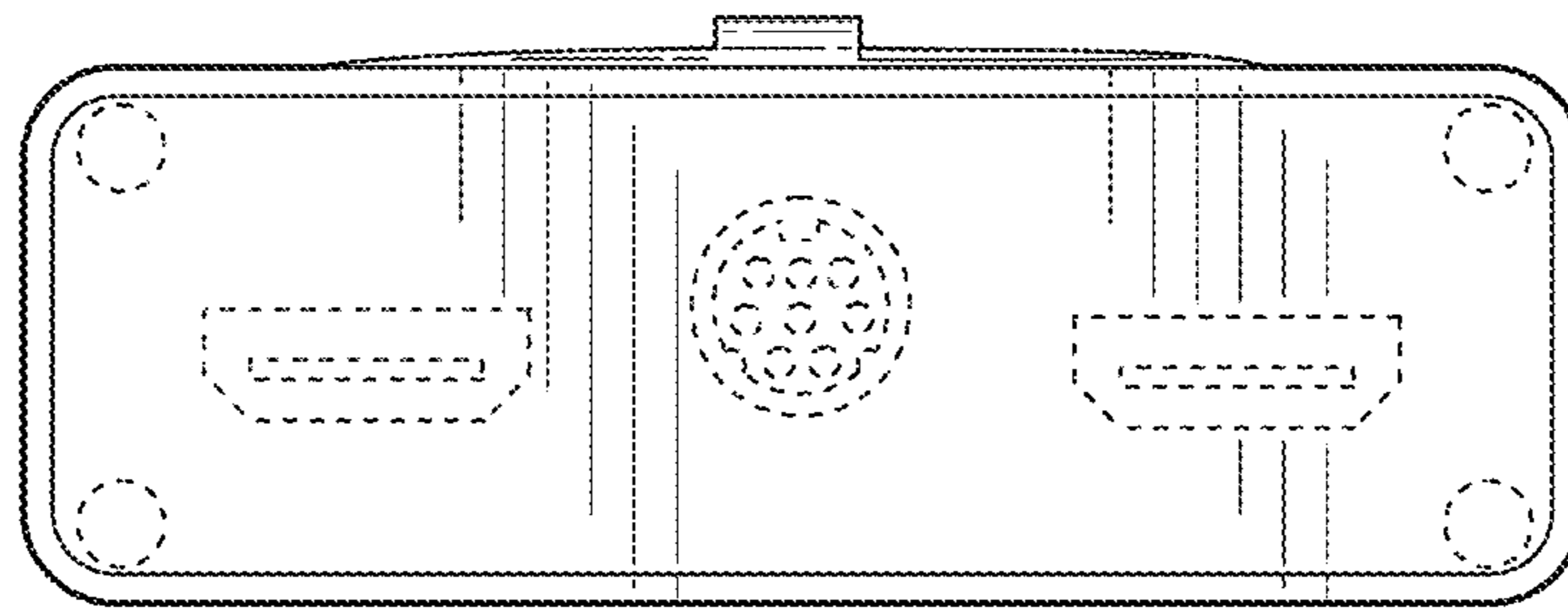


FIG. 7

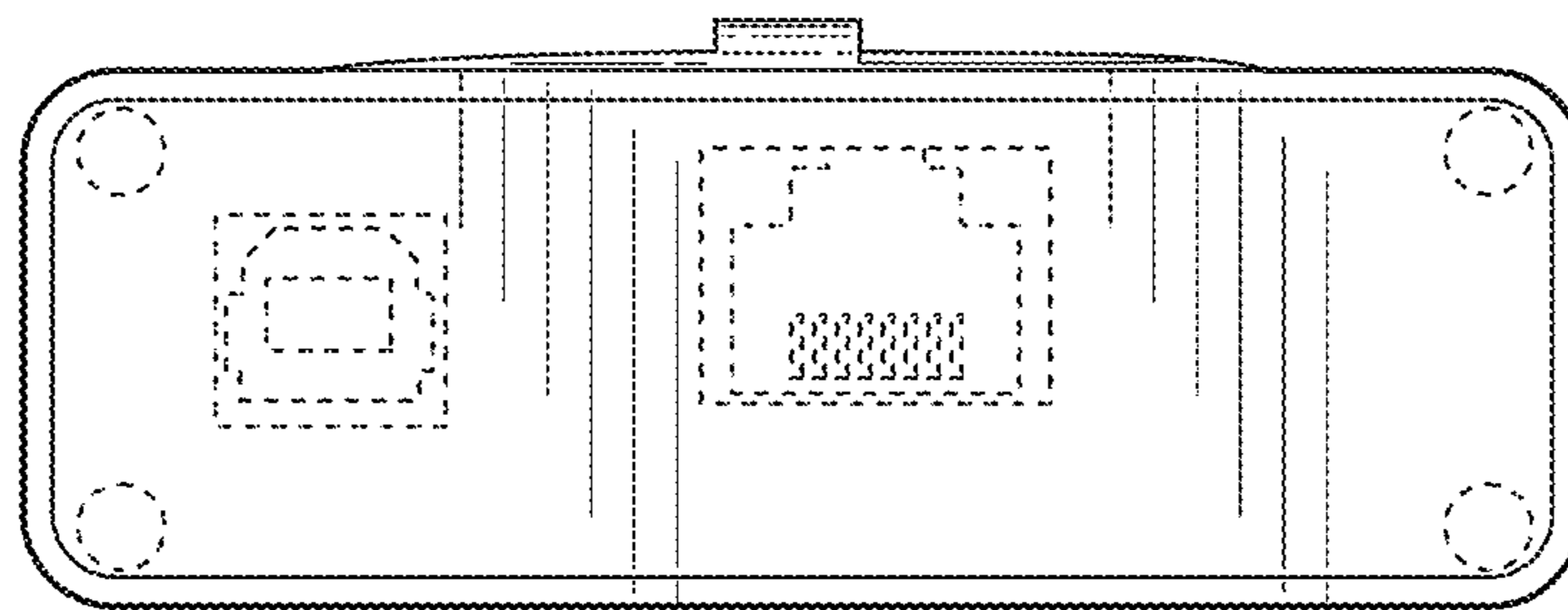


FIG. 8