



US00D870053S

(12) **United States Design Patent**
Wildman et al.

(10) **Patent No.:** **US D870,053 S**

(45) **Date of Patent:** **** Dec. 17, 2019**

(54) **SWITCH**

(71) Applicant: **Condor-Werke Gebr. Frede GmbH & Co., KG**, Ennigerloh (DE)

(72) Inventors: **Craig R. Wildman**, Charlotte, NC (US); **Joseph L. Gustafson**, Charlotte, NC (US)

(73) Assignee: **Condor-Werke Gebr. Frede GMBH & Co., KG**, Ennigerloh (DE)

(**) Term: **15 Years**

(21) Appl. No.: **29/661,486**

(22) Filed: **Aug. 28, 2018**

Related U.S. Application Data

(62) Division of application No. 29/607,859, filed on Jun. 16, 2017, now Pat. No. Des. 836,563.

(51) **LOC (12) Cl.** **13-03**

(52) **U.S. Cl.**
USPC **D13/158**

(58) **Field of Classification Search**
USPC D13/158, 160, 175, 199
CPC B60Q 1/441; F04B 49/022; H01H 35/34;
H01H 35/343; H01H 9/047
See application file for complete search history.

(56) **References Cited**

U.S. PATENT DOCUMENTS

D280,501 S 9/1985 Walters
D297,006 S 8/1988 Walters
4,939,321 A 7/1990 Tanaka et al.
5,482,439 A 1/1996 Chen

7,256,361 B1 8/2007 Lee
7,786,392 B2 8/2010 Hickman
9,941,083 B2 4/2018 Matsuyama et al.
D836,563 S * 12/2018 Wildman D13/158

* cited by examiner

Primary Examiner — Selina Sikder

(74) *Attorney, Agent, or Firm* — Shumaker, Loop & Kendrick, LLP

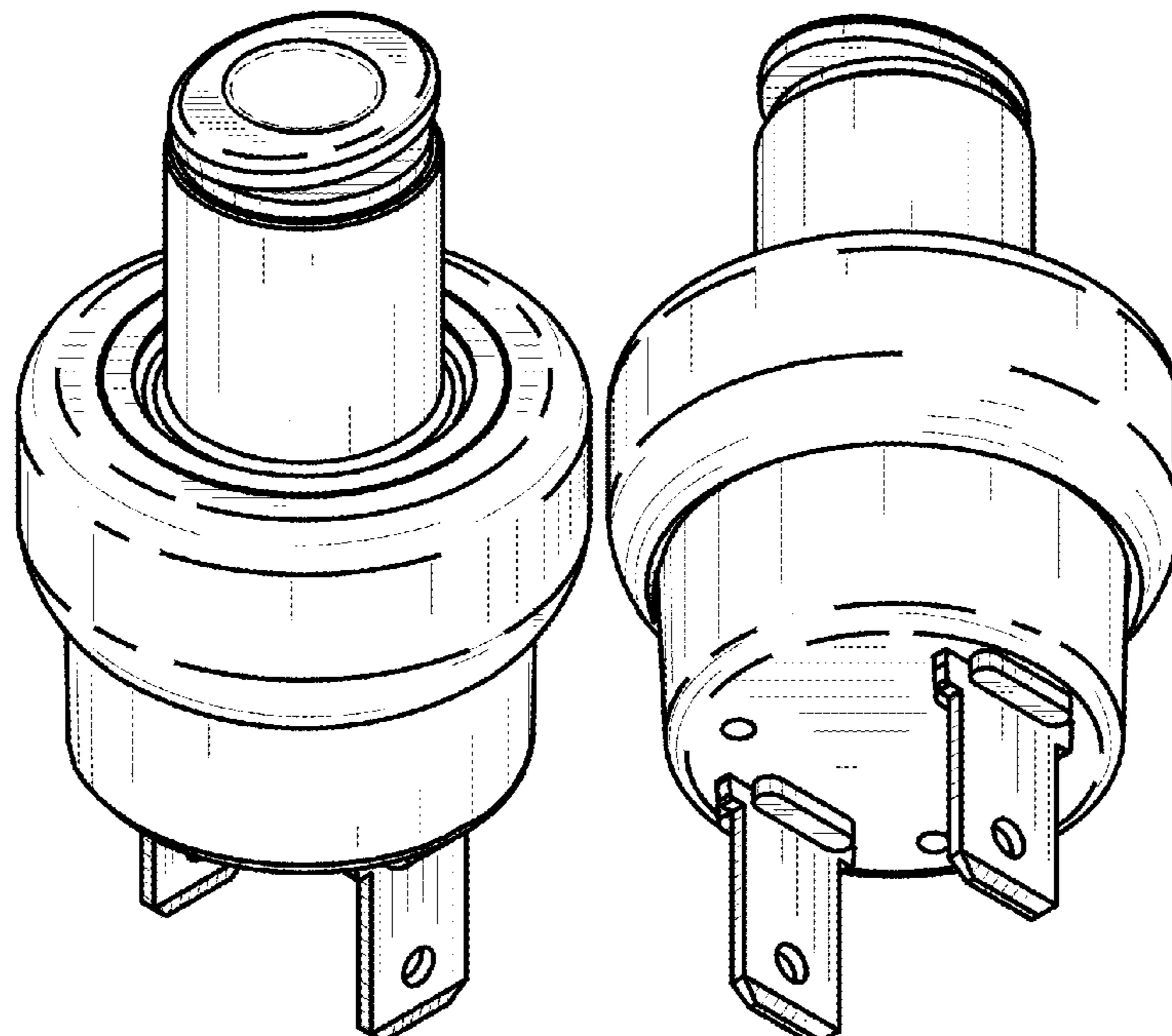
(57) **CLAIM**

We claim the ornamental design for a switch, as shown and described.

DESCRIPTION

FIG. 1 is a top perspective view of a switch showing our new design;
FIG. 2 is a bottom perspective view of a first side of the switch of FIG. 1;
FIG. 3 is a top perspective view of a second side of the switch of FIG. 1;
FIG. 4 is a bottom perspective view of a second side of the switch of FIG. 1;
FIG. 5 is a side elevation view of a first side of the switch of FIG. 1;
FIG. 6 is a top plan view of the switch of FIG. 1;
FIG. 7 is a side elevation of a second side of the switch of FIG. 1;
FIG. 8 is a bottom plan view of the switch of FIG. 1;
FIG. 9 is a side elevation view opposite the first side of the switch of FIG. 1; and,
FIG. 10 is a side elevation view opposite the first side of the switch of FIG. 1.
The broken lines in FIGS. 1 and 6 views show portion of the switch that form no part of the claimed design.

1 Claim, 4 Drawing Sheets



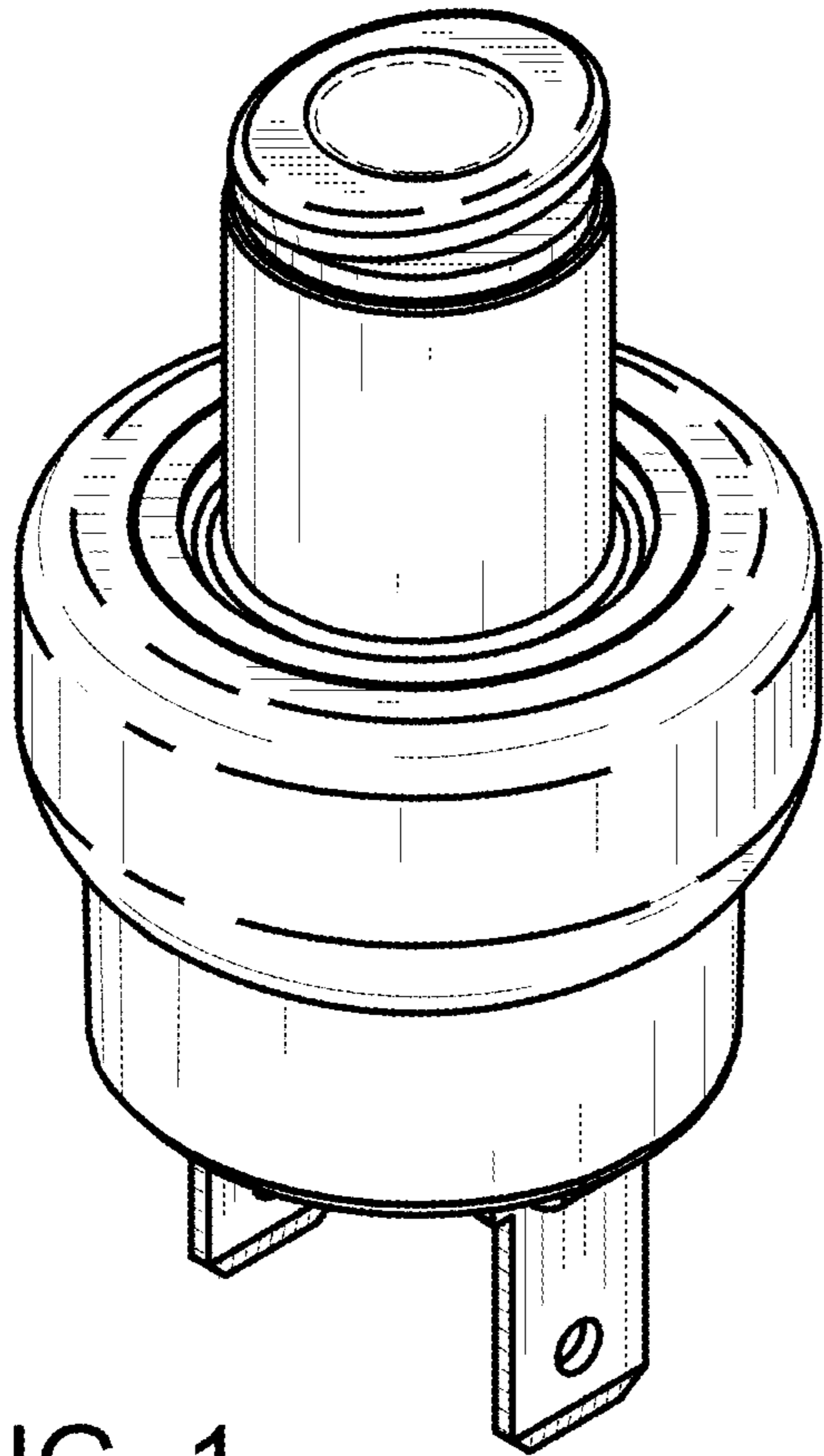


FIG. 1

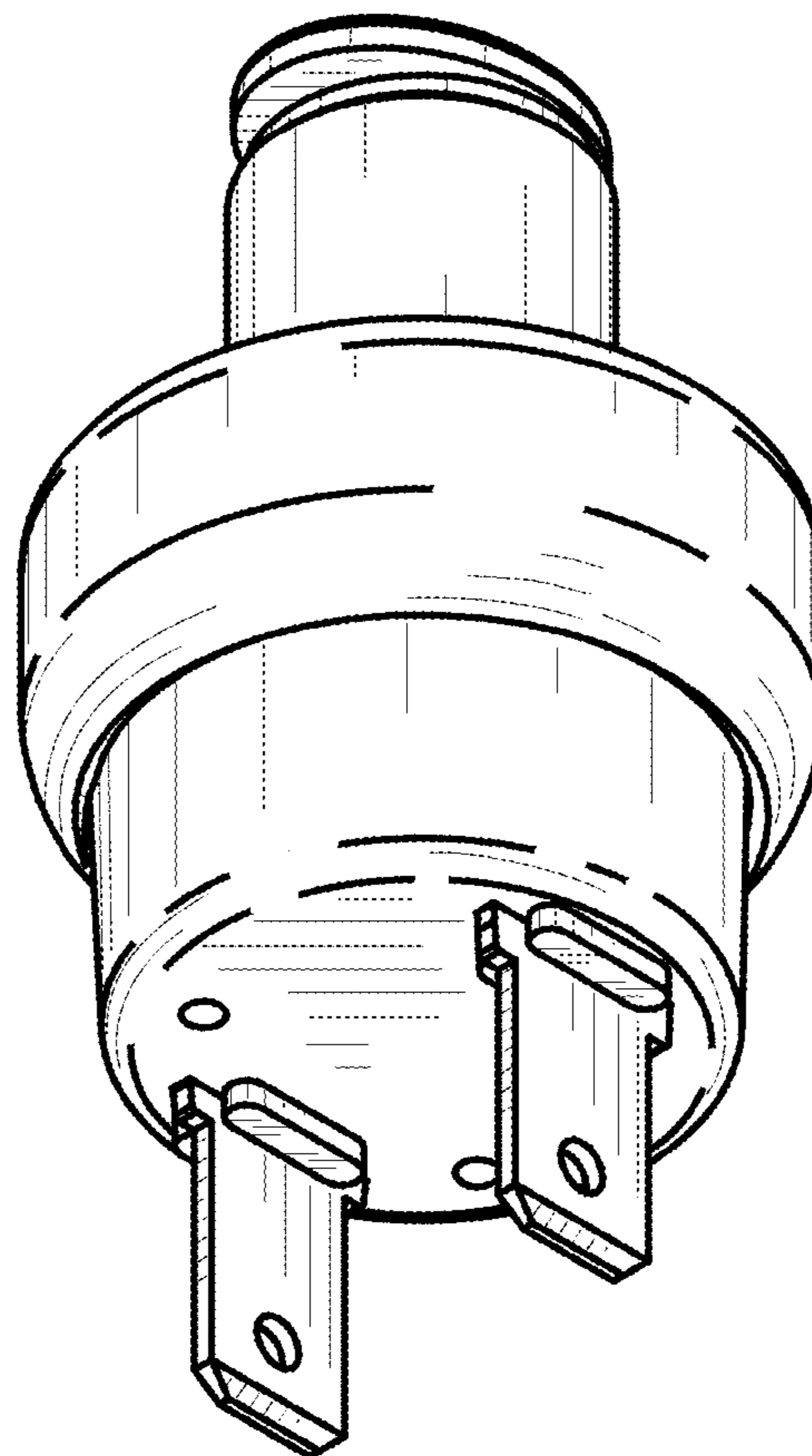


FIG. 2

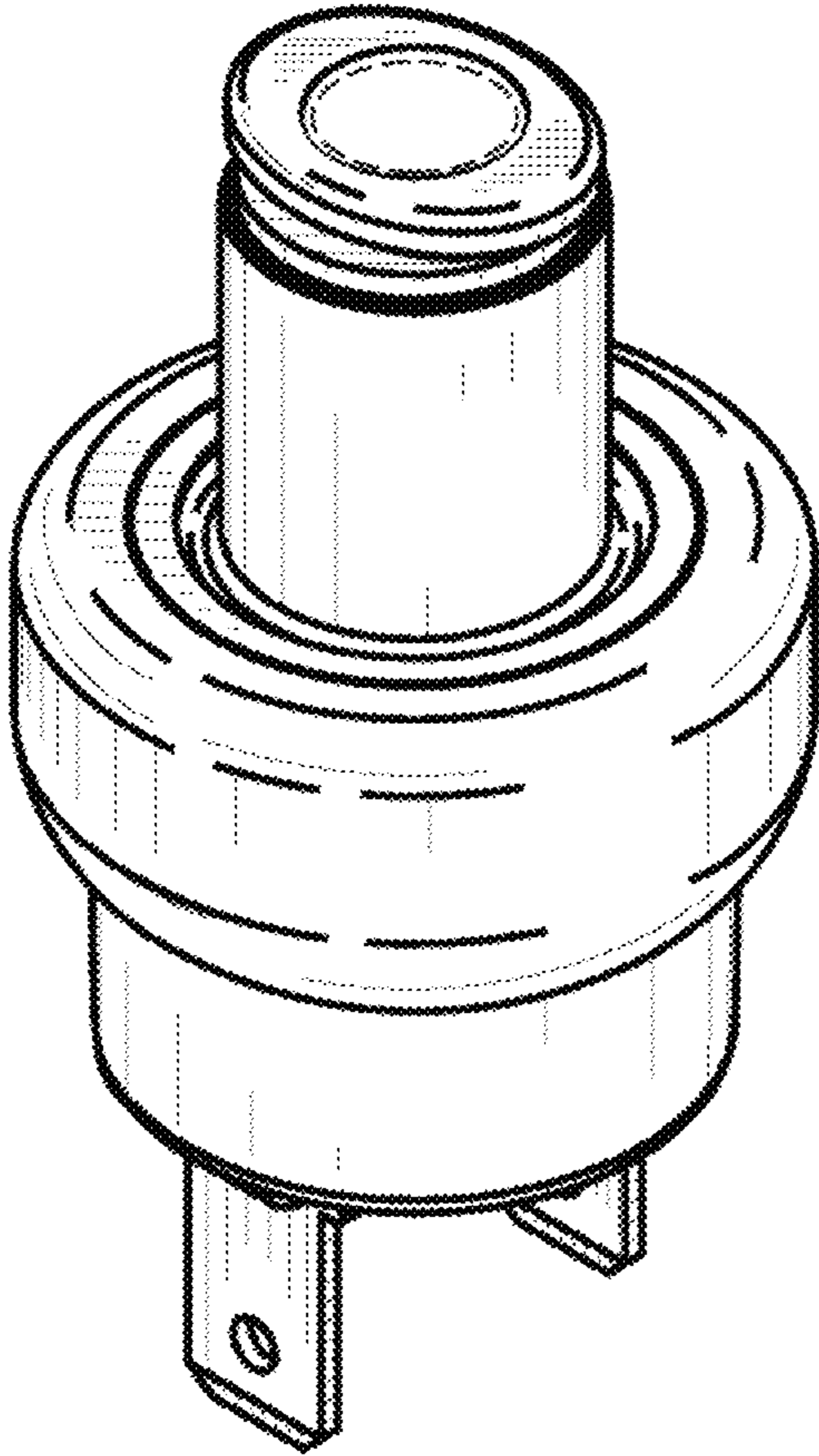


FIG. 3

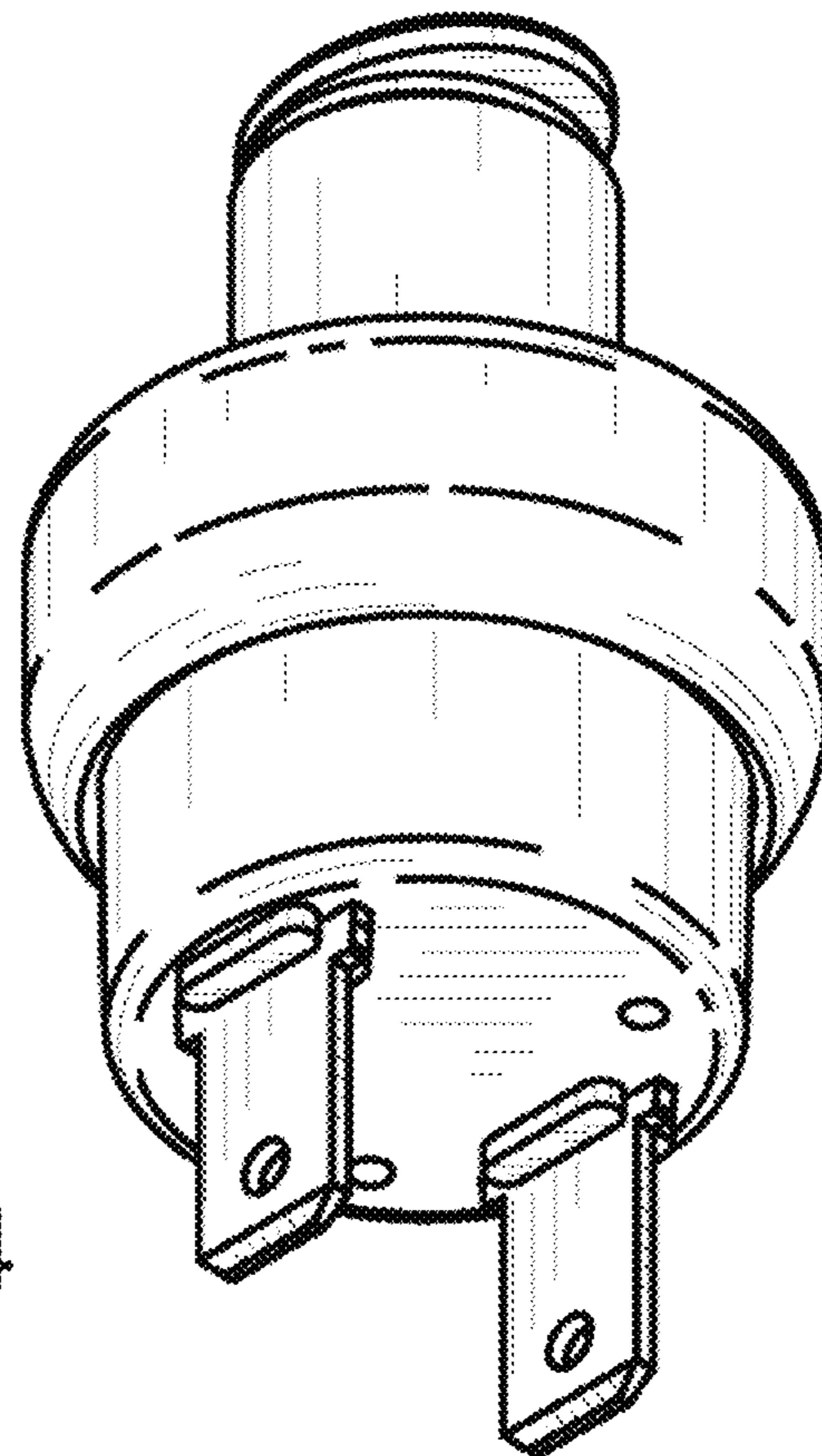


FIG. 4

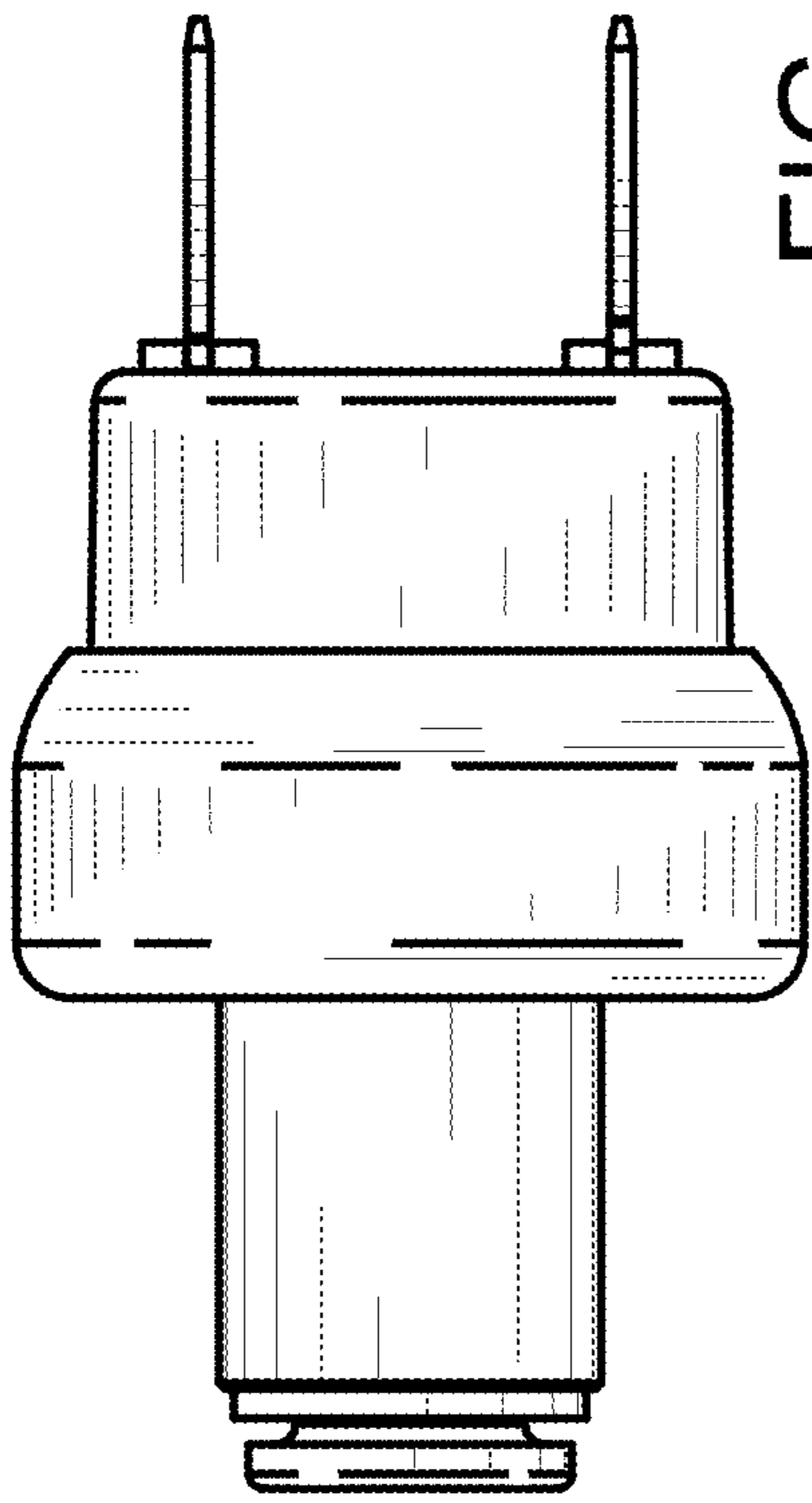


FIG. 5

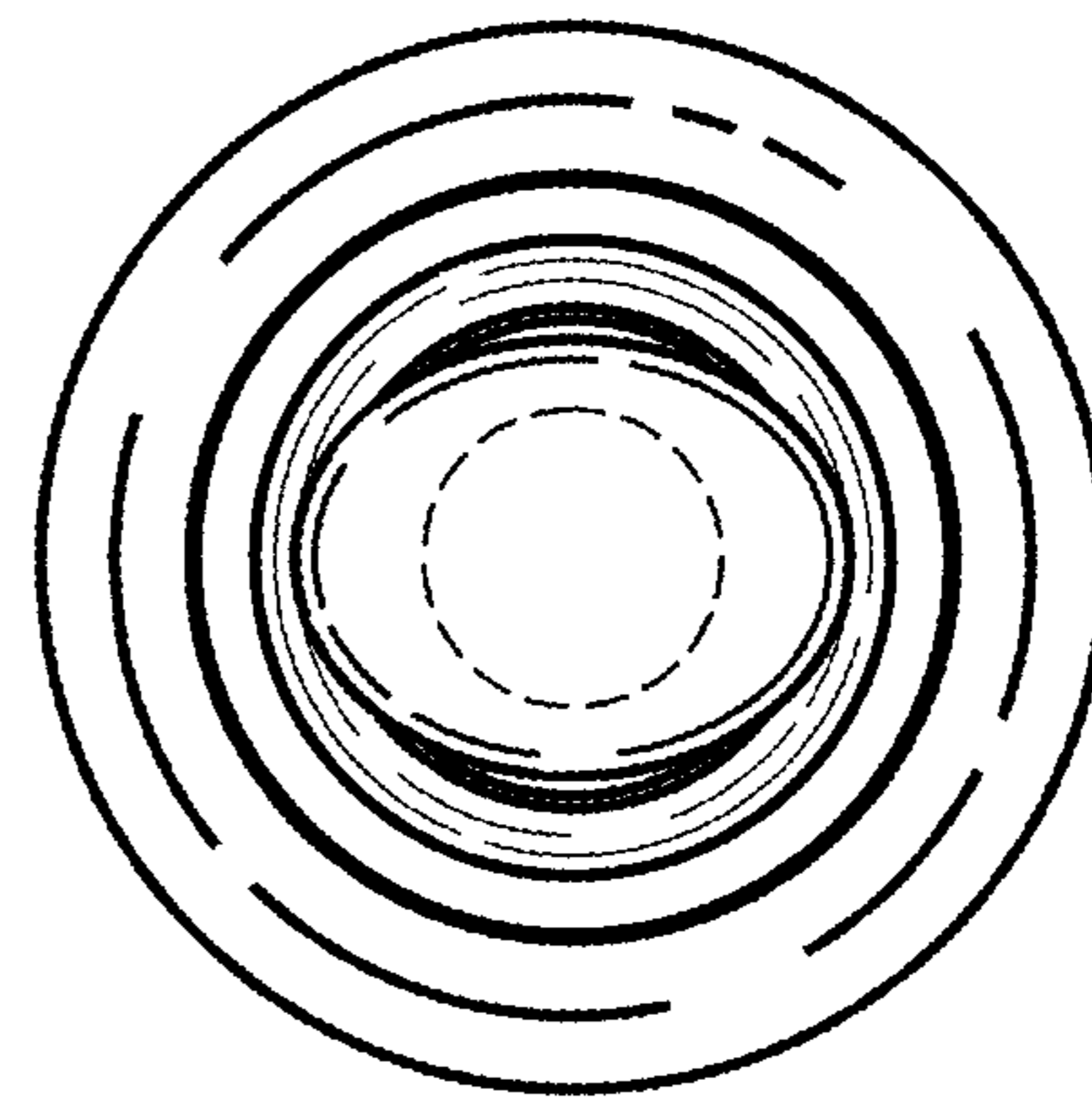


FIG. 6

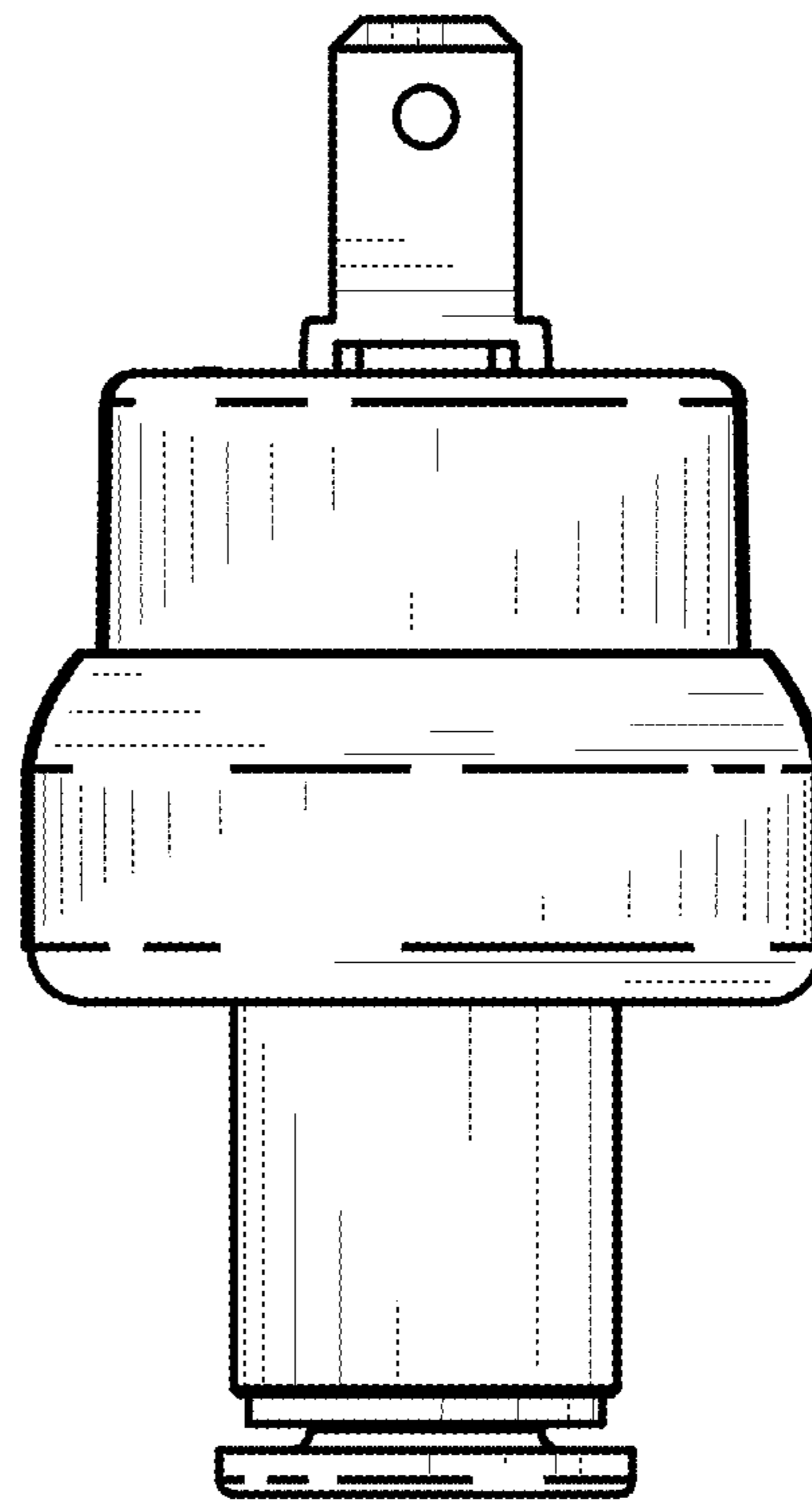


FIG. 7

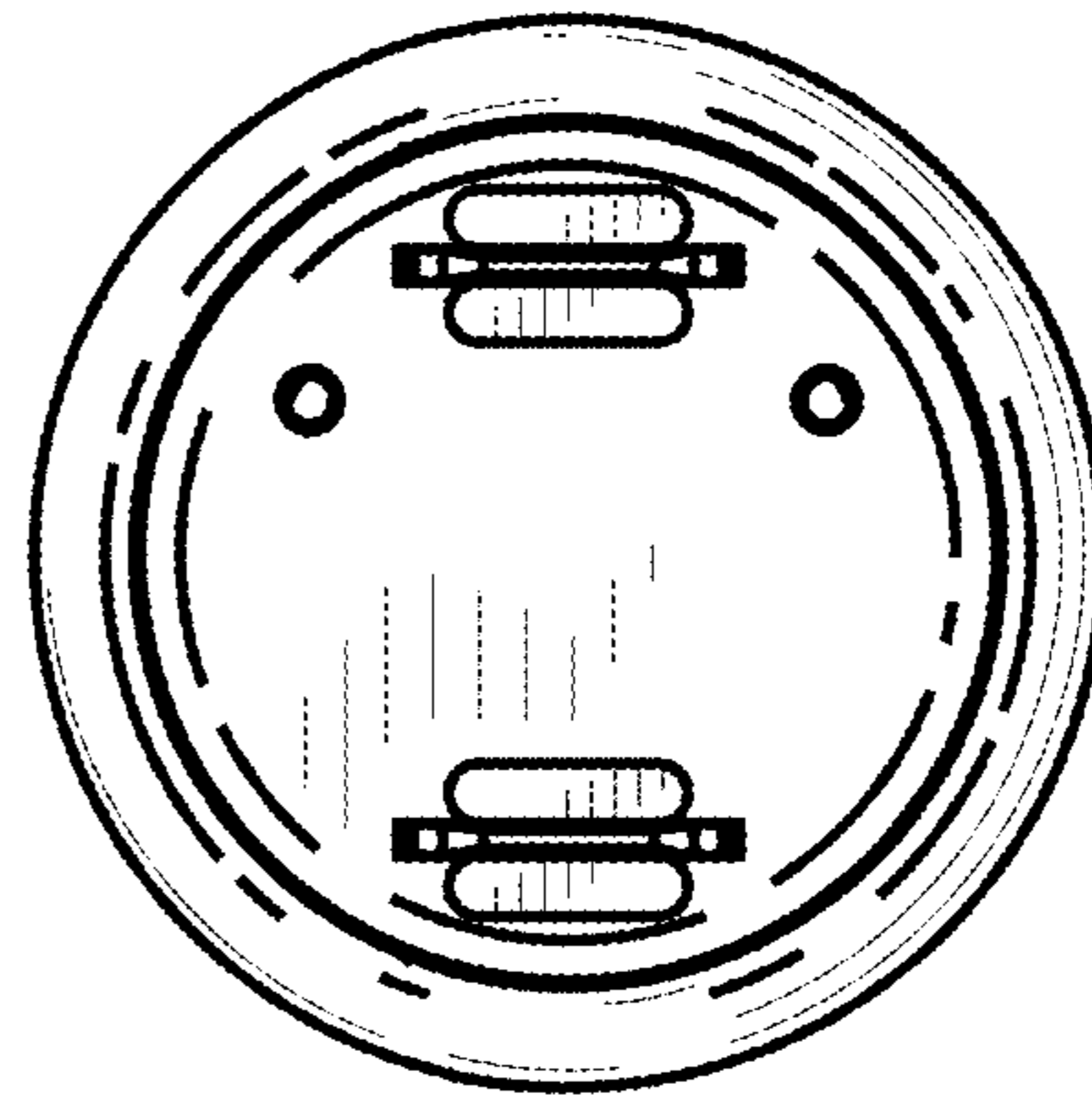


FIG. 8

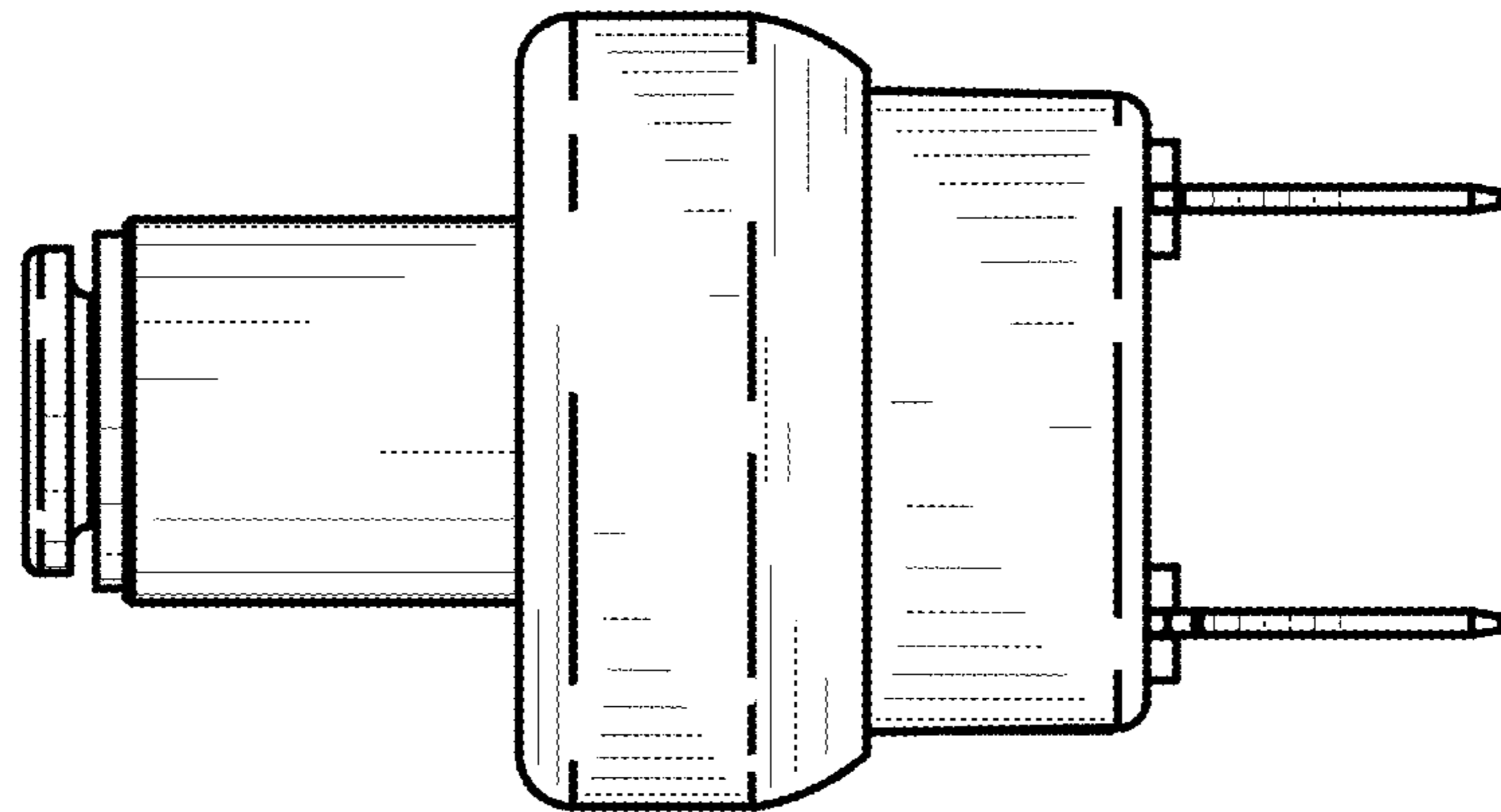


FIG. 9

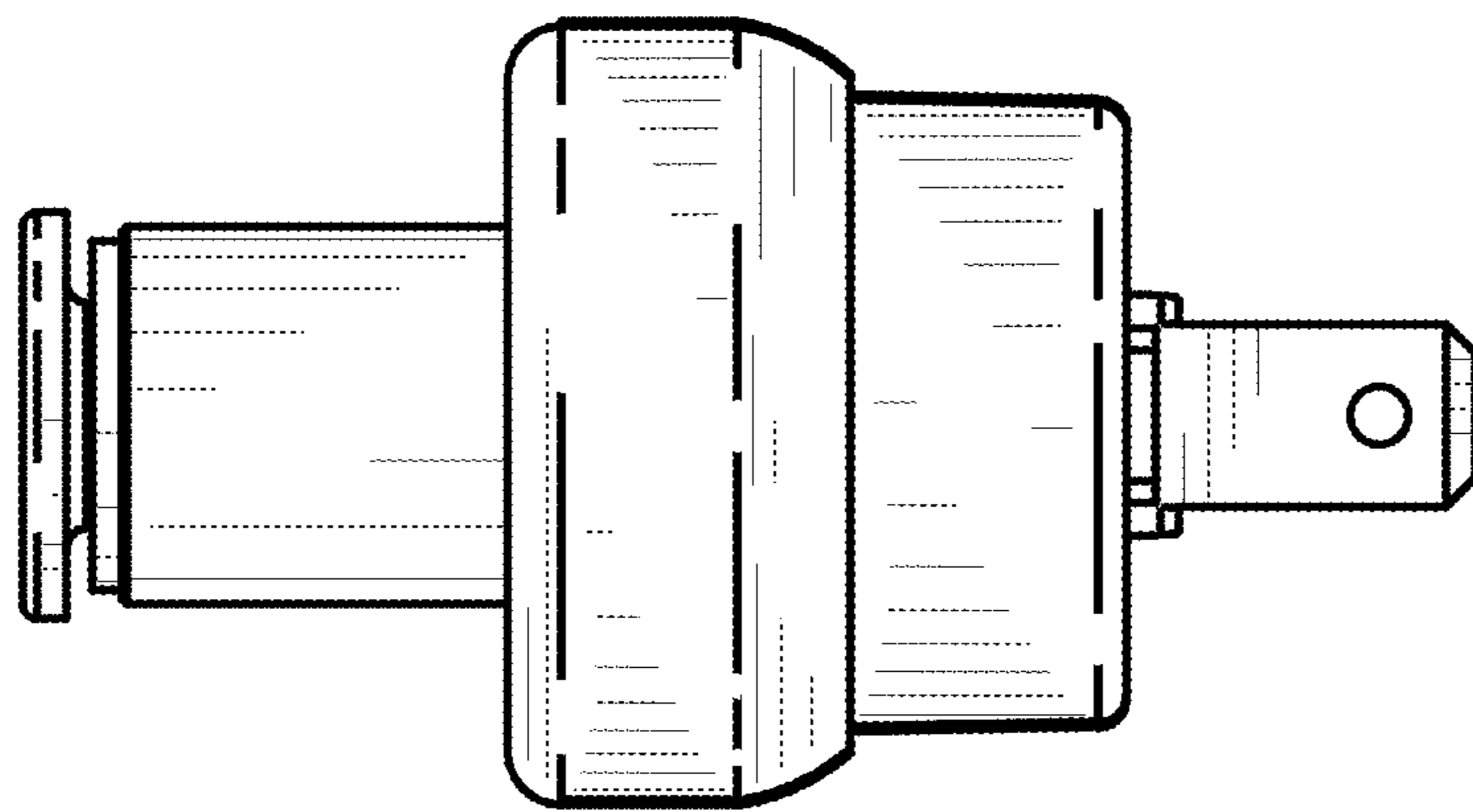


FIG. 10