



US00D870052S

(12) **United States Design Patent**  
**Leischner et al.**

(10) **Patent No.:** **US D870,052 S**

(45) **Date of Patent:** **\*\* Dec. 17, 2019**

(54) **ELECTRONIC SWITCH**

(71) Applicant: **R. Stahl Schaltgeräte GmbH**,  
Waldenburg (DE)

(72) Inventors: **Mansfred Leischner**, Öhringen (DE);  
**Jochen König**, Pfedelbach (DE);  
**Rainer Schutera**, Forchtenberg-Muthof  
(DE)

(73) Assignee: **R. Stahl Schaltgeräte GmbH**,  
Waldenburg (DE)

(\*\*) Term: **15 Years**

(21) Appl. No.: **29/566,811**

(22) Filed: **Jun. 2, 2016**

**Related U.S. Application Data**

(63) Continuation-in-part of application No. 29/518,752,  
filed on Feb. 26, 2015, now abandoned.

(30) **Foreign Application Priority Data**

Aug. 29, 2014 (EM) ..... 002527960

(51) **LOC (12) Cl.** ..... **13-03**

(52) **U.S. Cl.**  
USPC ..... **D13/158**

(58) **Field of Classification Search**  
USPC ..... D13/101, 110, 112, 118, 122-125, 133,  
D13/148, 149, 158-161, 184, 199  
(Continued)

(56) **References Cited**

**U.S. PATENT DOCUMENTS**

D590,351 S \* 4/2009 Lifran ..... D13/160  
D629,367 S \* 12/2010 Detemple ..... D13/160  
(Continued)

**FOREIGN PATENT DOCUMENTS**

CA 161295 \* 2/2015  
EM 002527960-0001 \* 8/2014

*Primary Examiner* — Angela J Lee

*Assistant Examiner* — Shawn T Gingrich

(74) *Attorney, Agent, or Firm* — Fitch, Even, Tabin &  
Flannery LLP

(57) **CLAIM**

We claim the ornamental design for an electronic switch, as  
shown and described.

**DESCRIPTION**

FIG. 1 is a top perspective view of our new design comprising an electronic switch;

FIG. 2 is a bottom perspective view of the electronic switch of FIG. 1;

FIG. 3 is a right side view of the electronic switch of FIG. 1;

FIG. 4 is a left side view of the electronic switch of FIG. 1;

FIG. 5 is a front side view of the electronic switch of FIG. 1;

FIG. 6 is a rear side view of the electronic switch of FIG. 1;

FIG. 7 is a top view of the electronic switch of FIG. 1;

FIG. 8 is a bottom view of the electronic switch of FIG. 1;

FIG. 9 is a top perspective view of a second embodiment for the new design comprising an electronic switch;

FIG. 10 is a bottom perspective view of the electronic switch of FIG. 9;

FIG. 11 is a right side view of the electronic switch of FIG. 9;

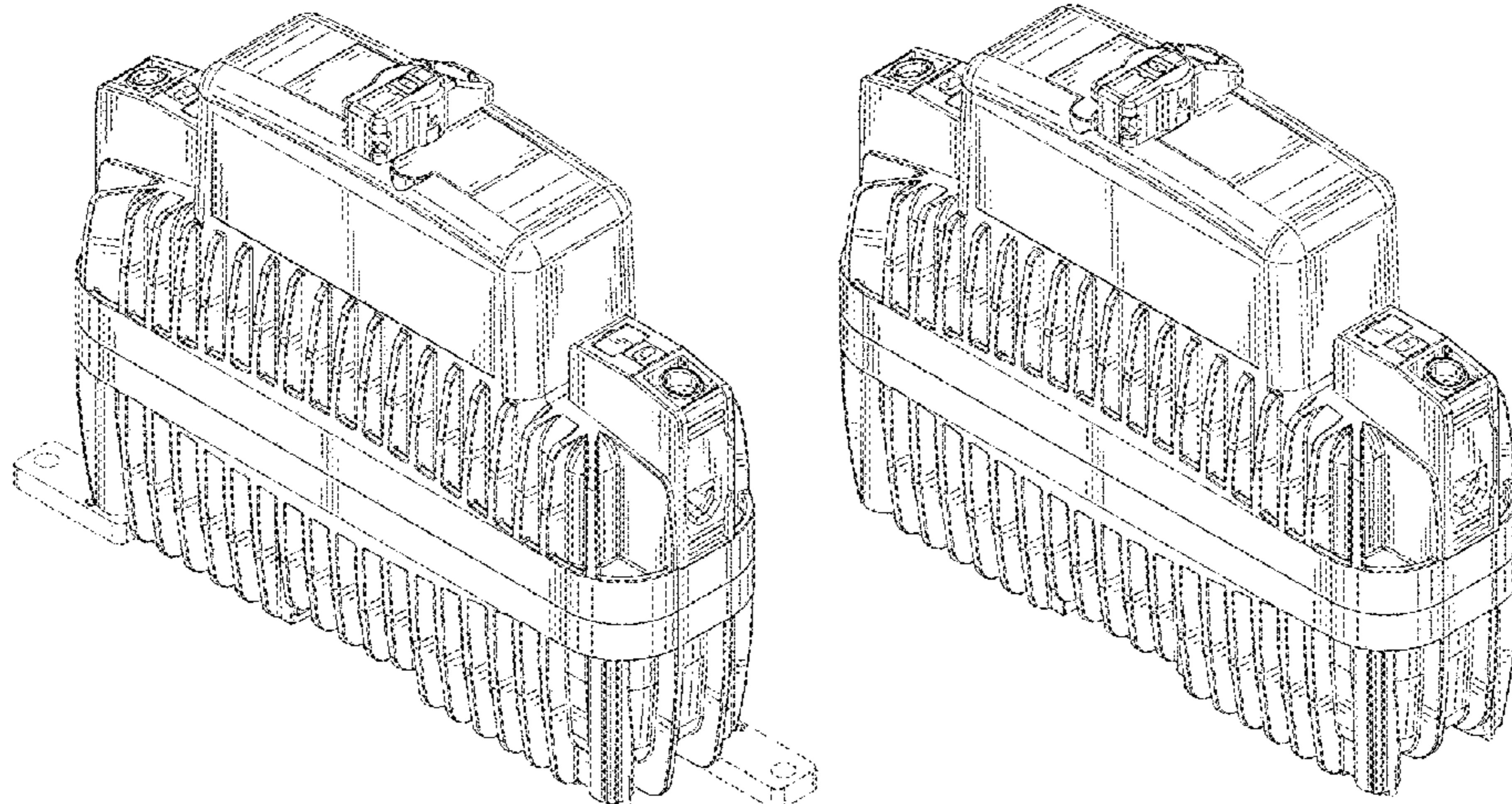
FIG. 12 is a left side view of the electronic switch of FIG. 9;

FIG. 13 is a front side view of the electronic switch of FIG. 9;

FIG. 14 is a rear side view of the electronic switch of FIG. 9;

FIG. 15 is a top view of the electronic switch of FIG. 9; and,  
FIG. 16 is a bottom view of the electronic switch of FIG. 9.  
The broken lines and unshaded surfaces shown in the drawings illustrate portions of the device that form no part of the claimed design.

**1 Claim, 16 Drawing Sheets**



(58) **Field of Classification Search**

CPC .. H01H 1/02; H01H 1/08; H01H 1/20; H01H  
3/20; H01H 3/40; H01H 3/42; H01H  
9/22; H01H 9/282; H01H 13/00; H01H  
13/02; H01H 19/00; H01H 19/035; H01H  
19/114; H01H 19/64; H01H 21/00; H01H  
45/00; H01H 45/02; H01H 47/00

See application file for complete search history.

(56) **References Cited**

U.S. PATENT DOCUMENTS

D637,977	S	*	5/2011	Naumann	.....	D13/160
D643,374	S	*	8/2011	Naumann	.....	D13/160
D643,375	S	*	8/2011	Naumann	.....	D13/160
D666,558	S	*	9/2012	Naumann	.....	D13/160
D666,559	S	*	9/2012	Naumann	.....	D13/160

\* cited by examiner

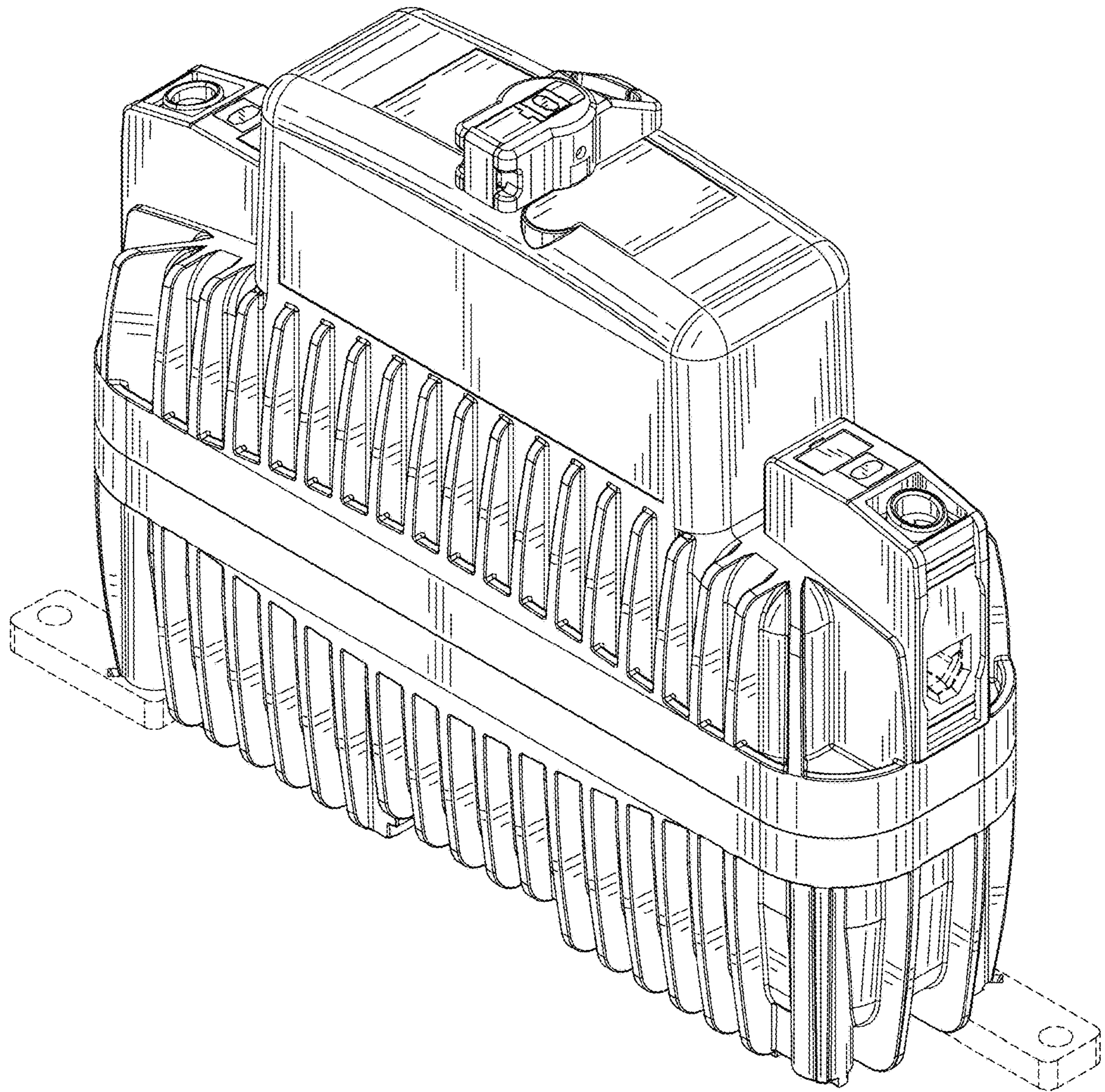


FIG. 1

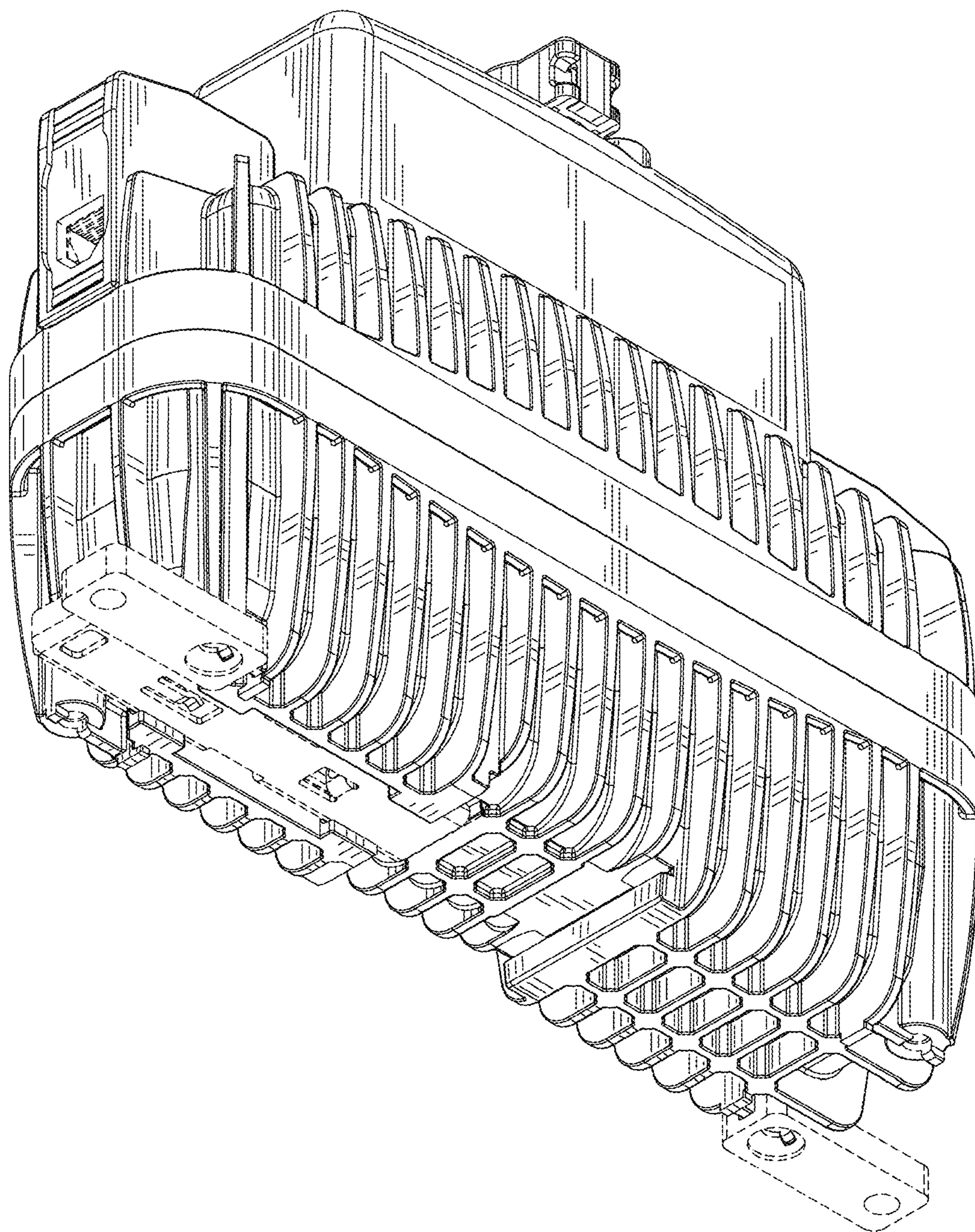


FIG. 2

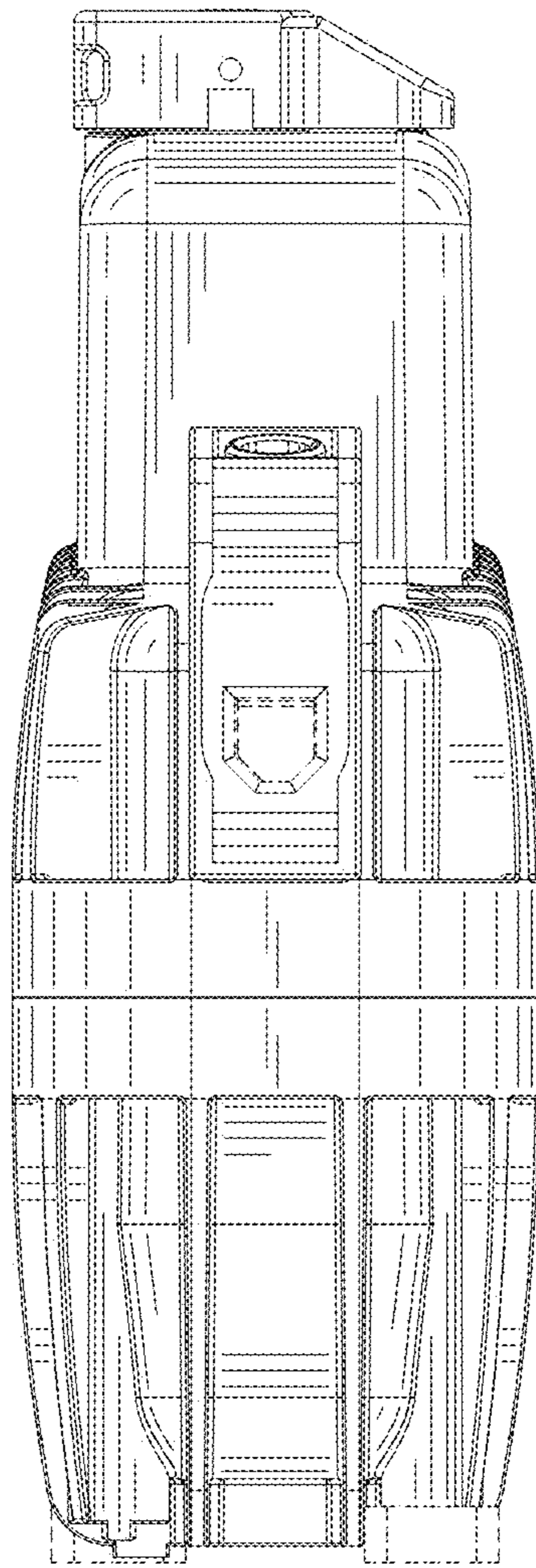


FIG. 3

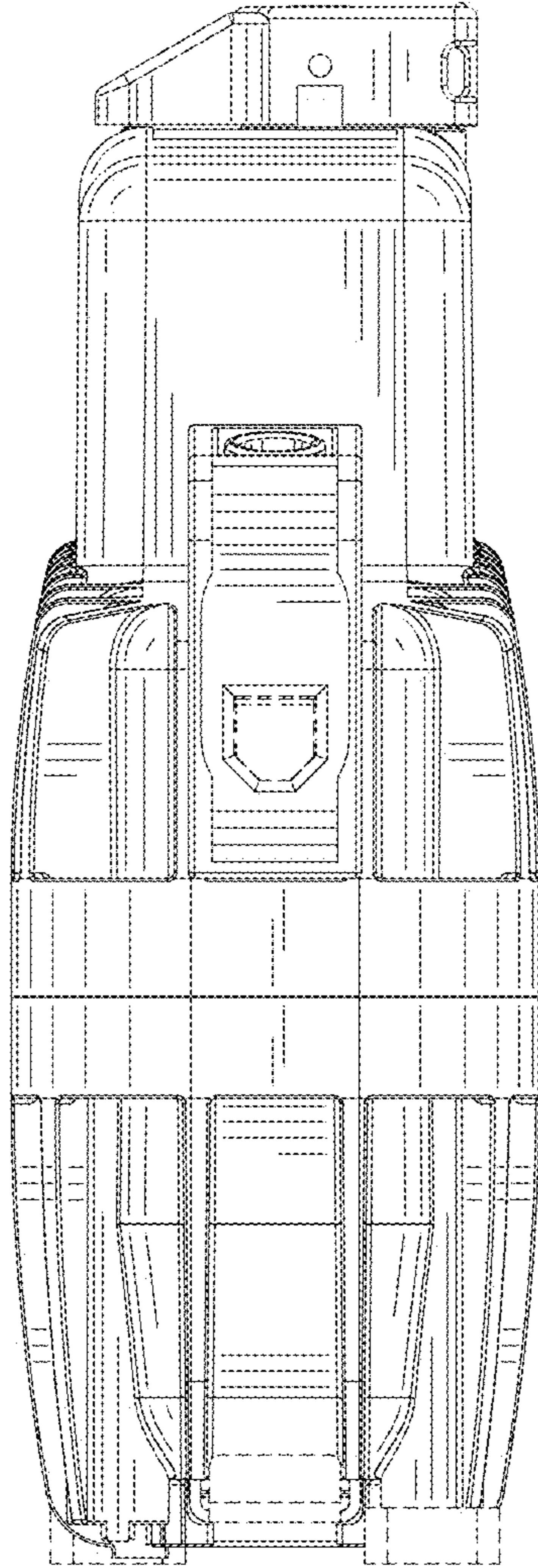


FIG. 4

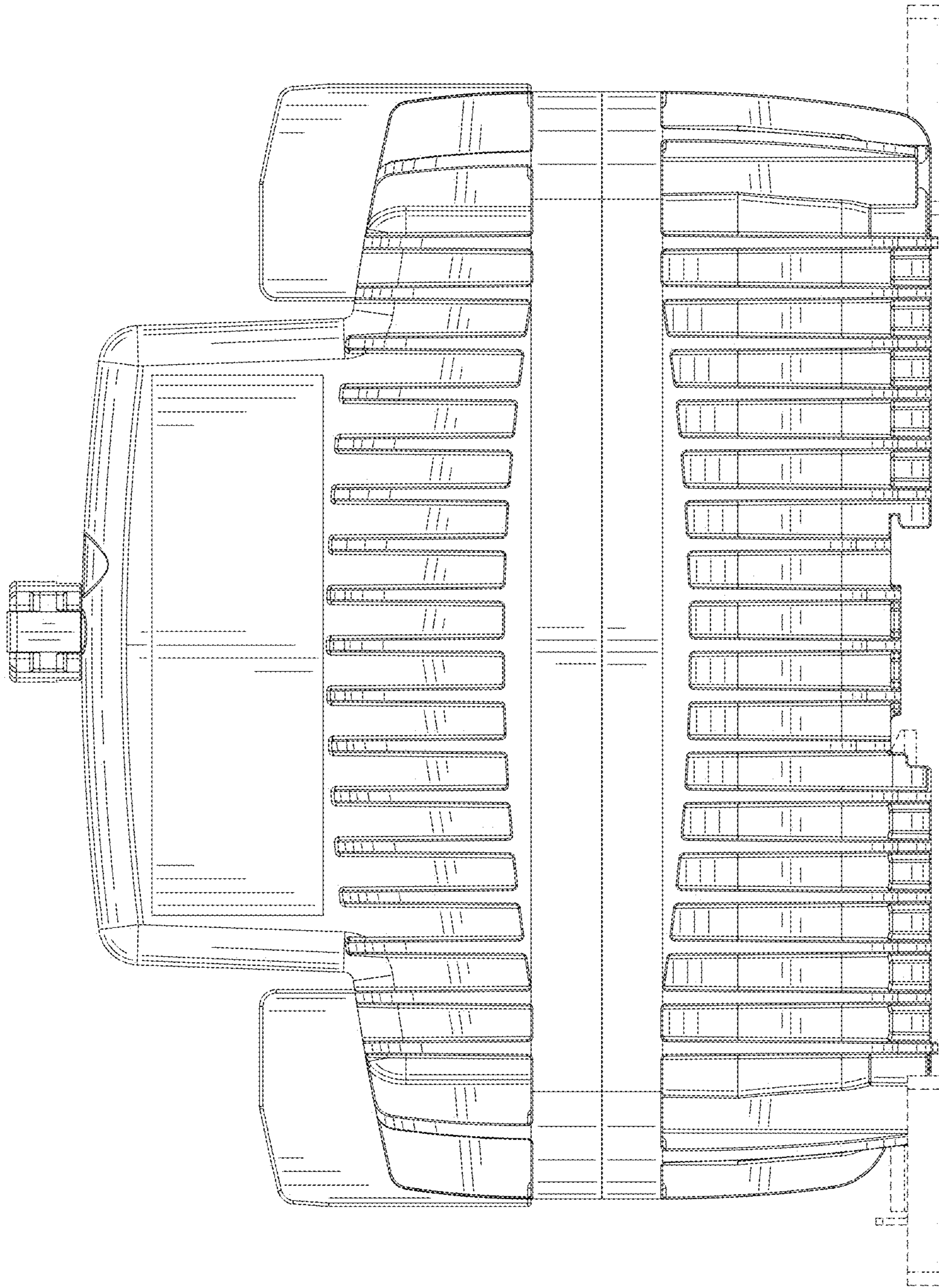


FIG. 5

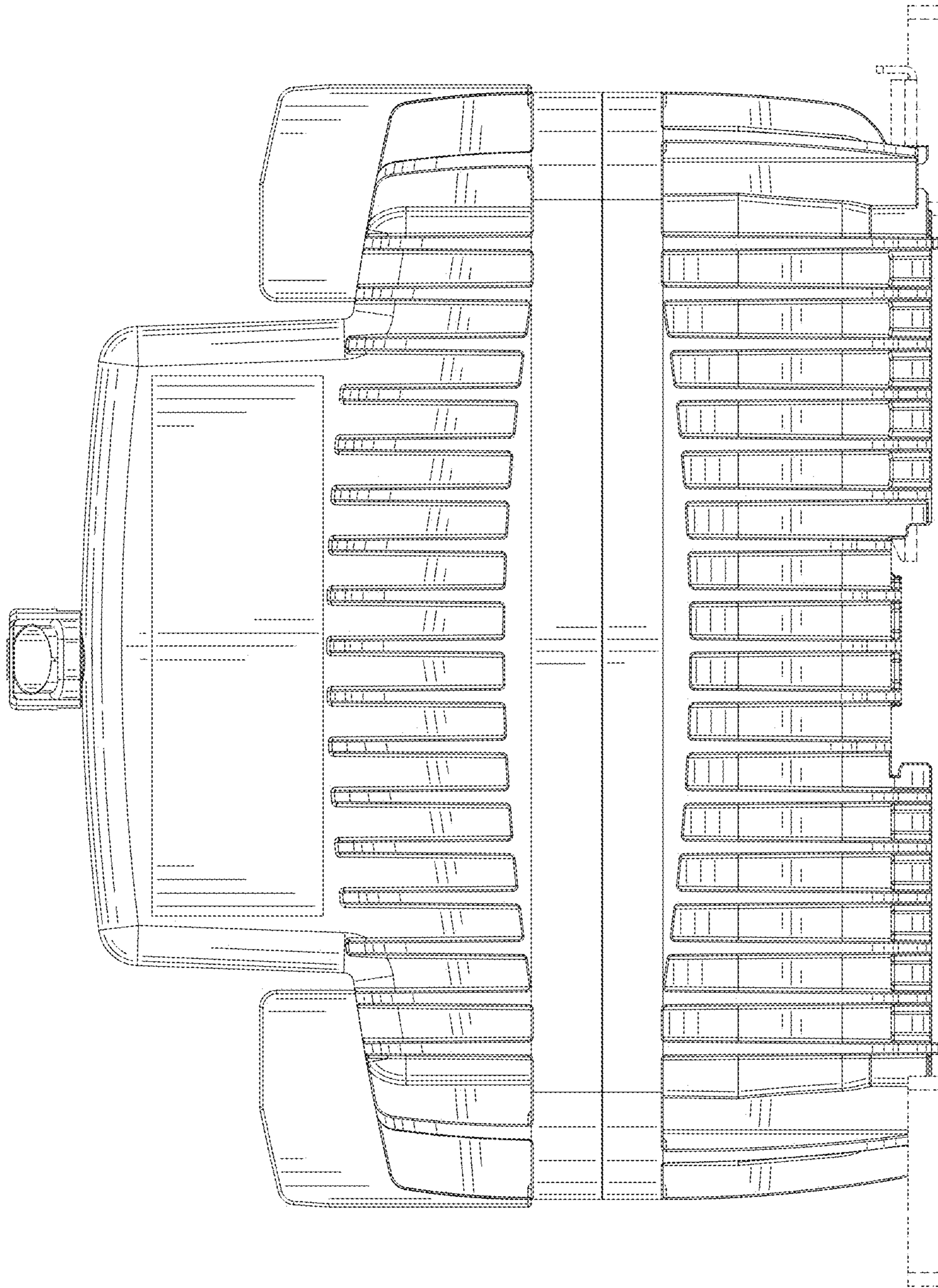


FIG. 6



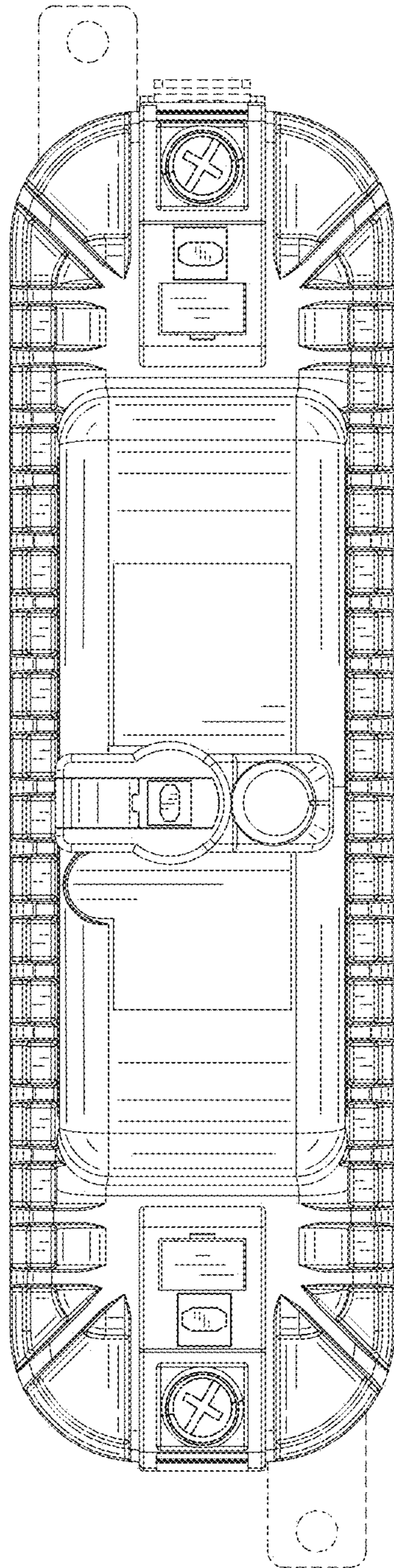


FIG. 7

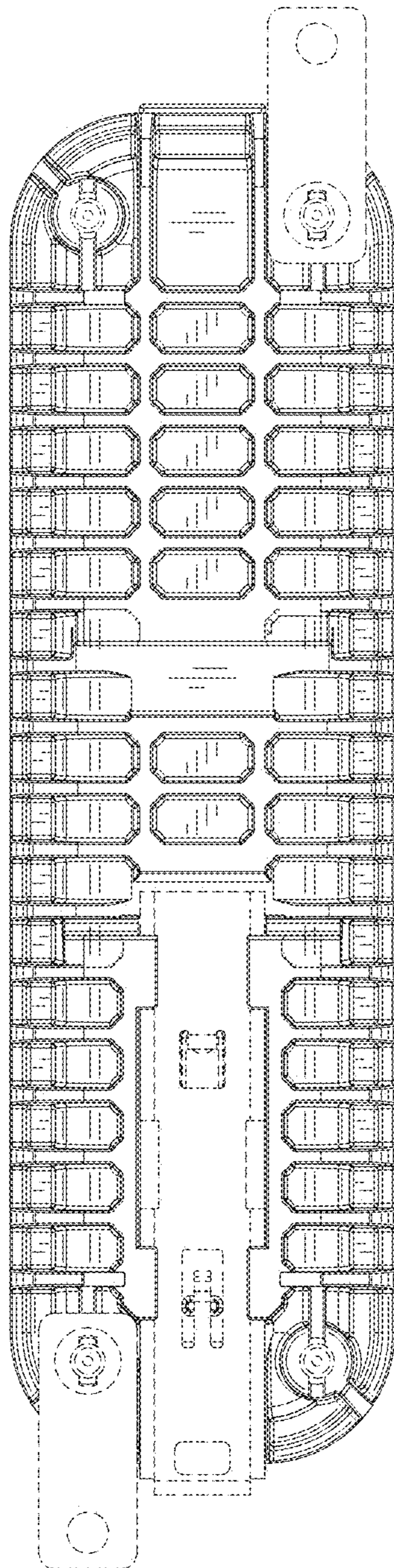


FIG. 8

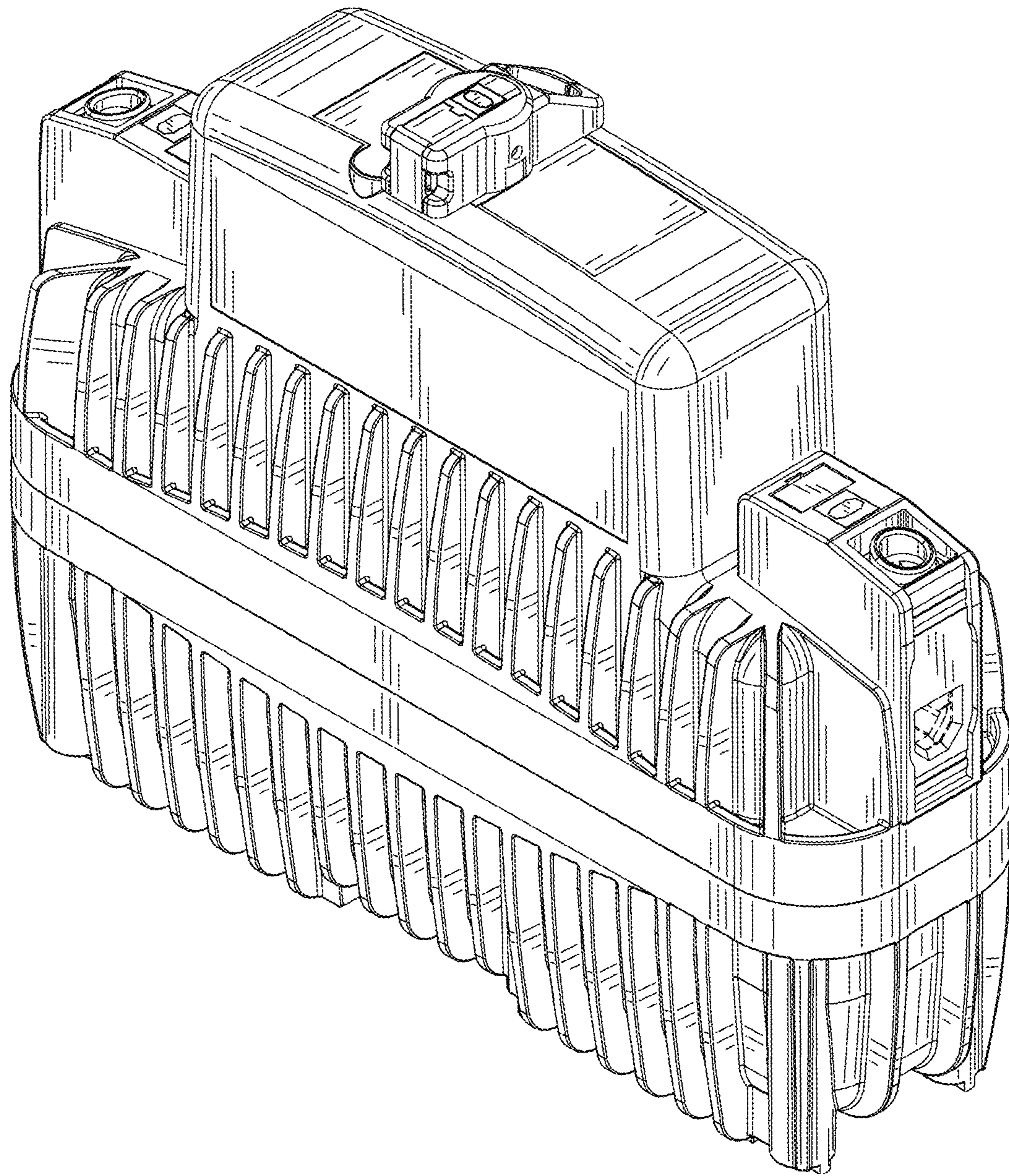


FIG. 9

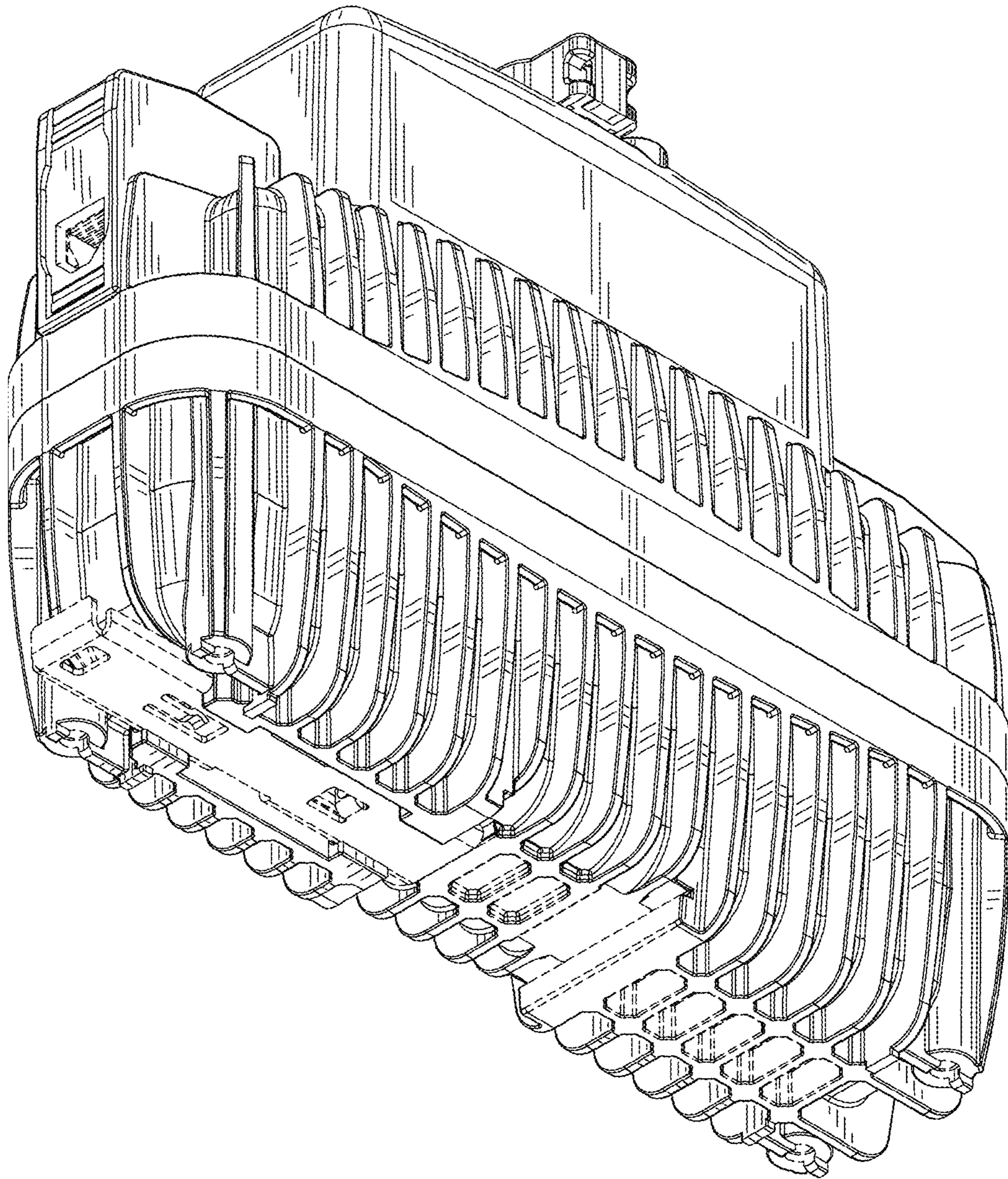


FIG. 10

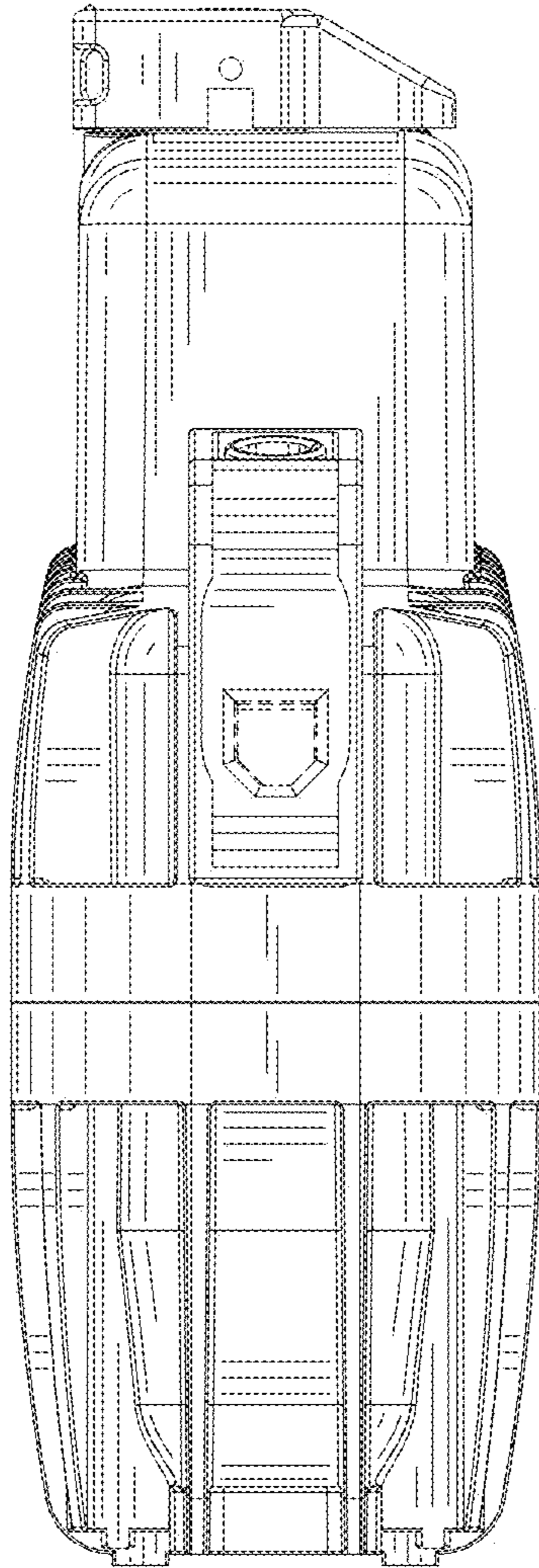


FIG. 11

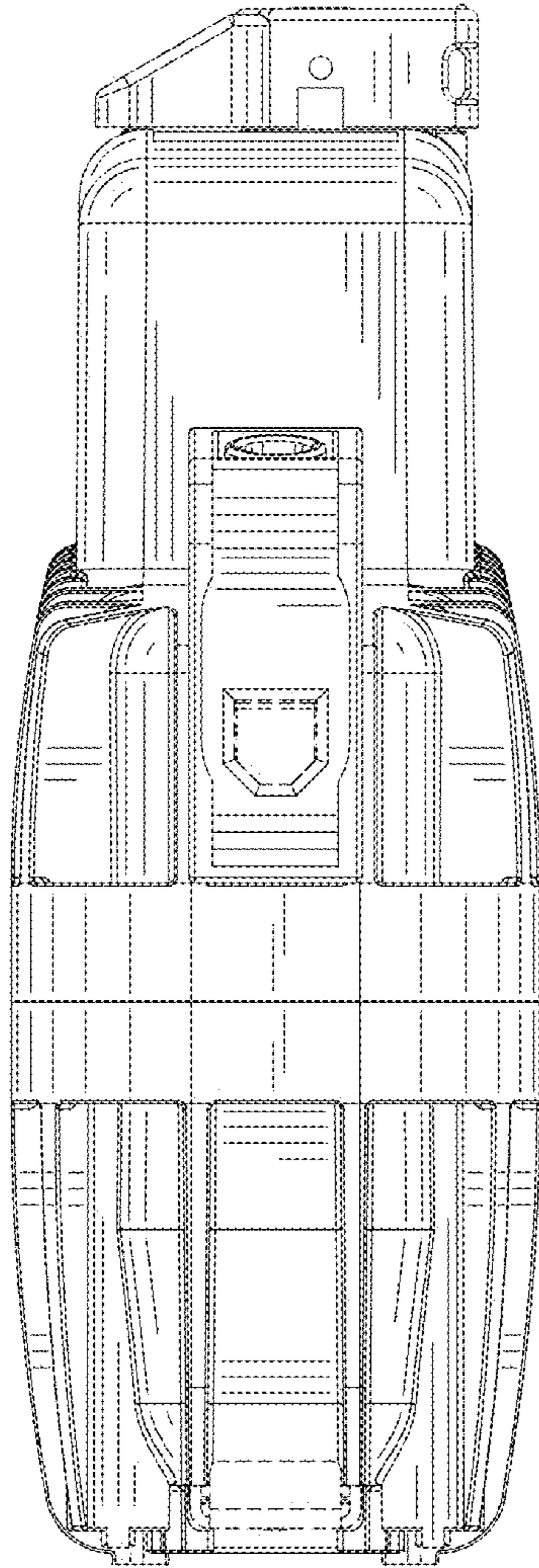


FIG. 12

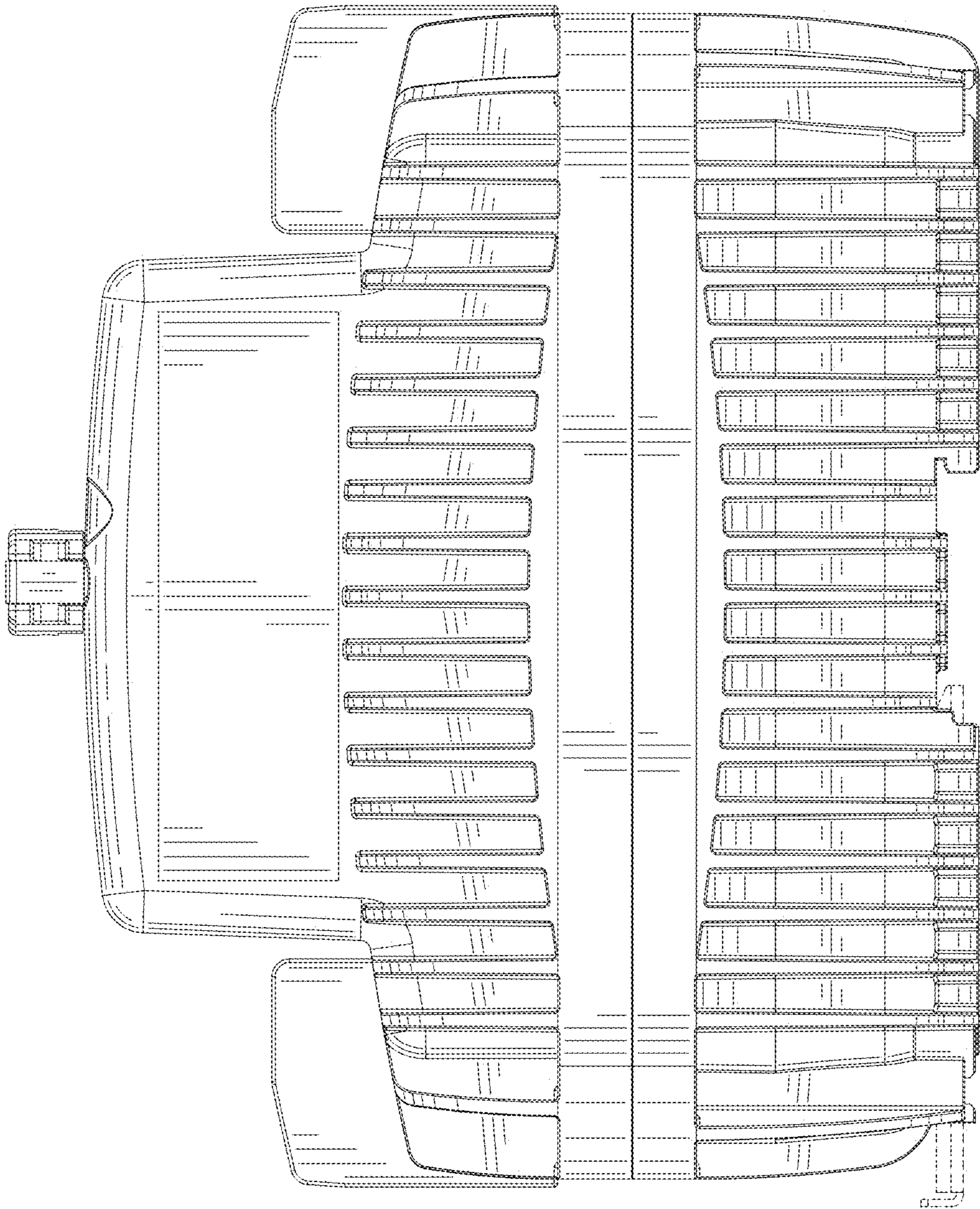


FIG. 13

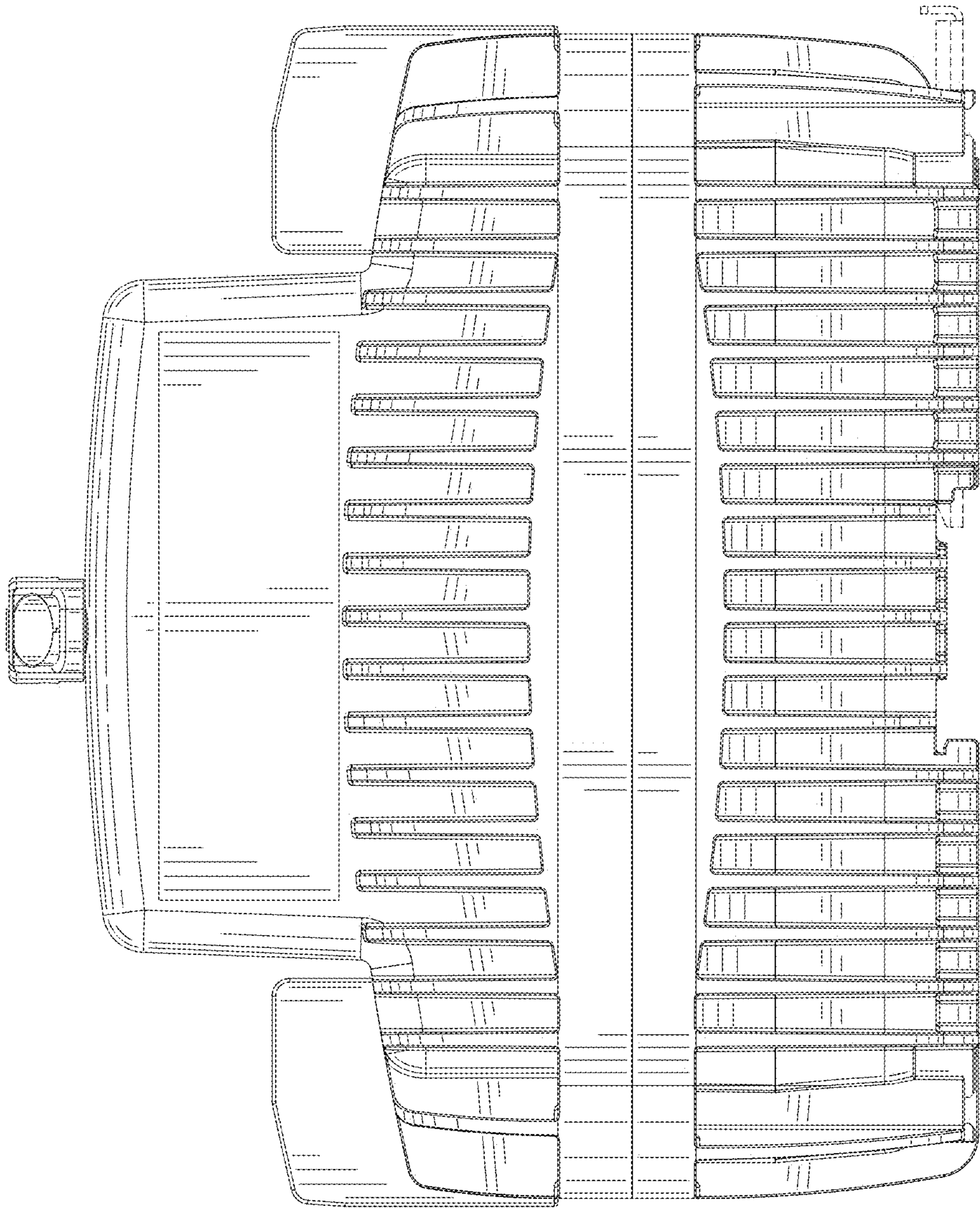


FIG. 14



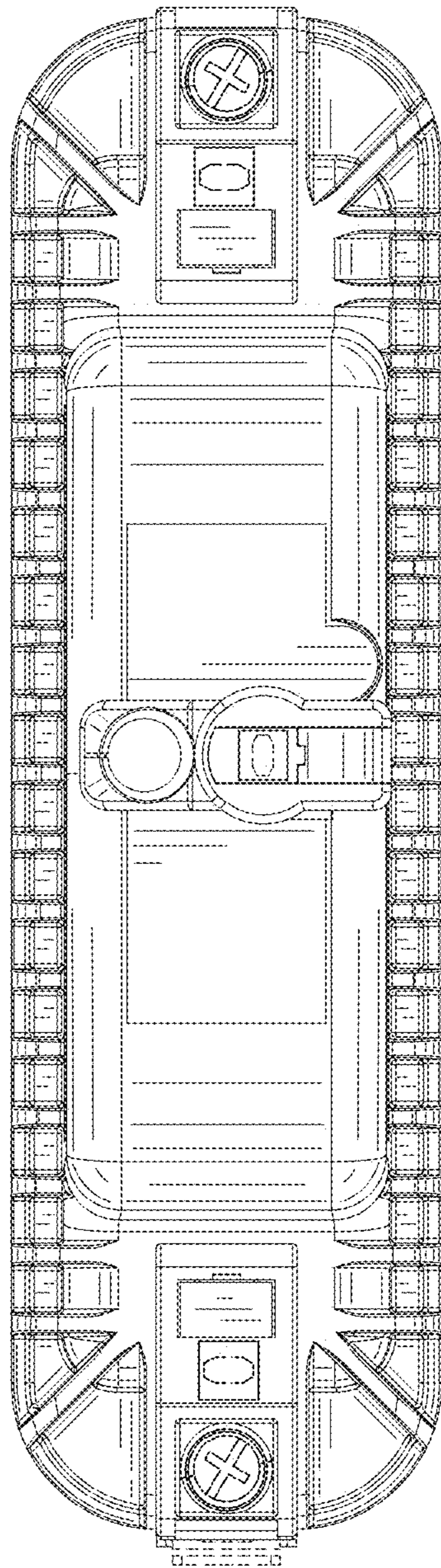


FIG. 15

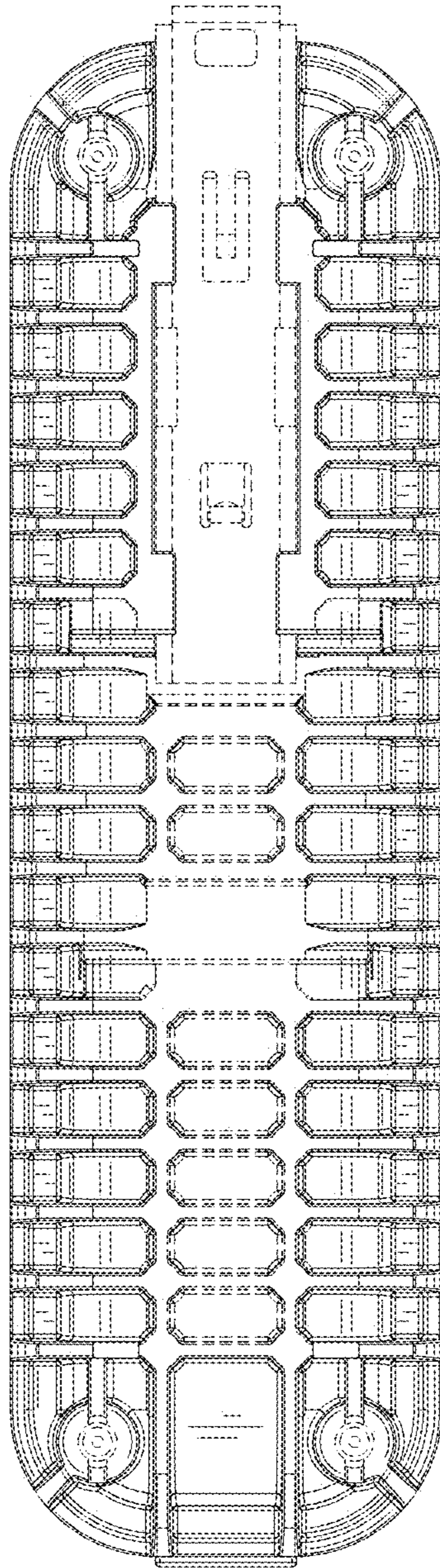


FIG. 16