



US00D870050S

(12) **United States Design Patent**  
**Bessmertnyy**

(10) **Patent No.:** **US D870,050 S**

(45) **Date of Patent:** **\*\* Dec. 17, 2019**

(54) **USB CONNECTOR FOR RACKS, SECTIONS AND PANEL DEVICES, APPLICABLE TO STANDARDS OF USB2.0 / USB3.0, TYPE A**

(71) Applicant: **Vladimir Bessmertnyy**, Moscow (RU)

(72) Inventor: **Vladimir Bessmertnyy**, Moscow (RU)

(73) Assignee: **Vladimir Bessmertnyy**, Moscow (RU)

(\*\*) Term: **15 Years**

(21) Appl. No.: **29/642,145**

(22) Filed: **Mar. 28, 2018**

(51) **LOC (12) Cl.** ..... **13-03**

(52) **U.S. Cl.**  
USPC ..... **D13/147**

(58) **Field of Classification Search**  
USPC ..... D13/146, 147, 123, 133, 137.1-139.8,  
D13/154; D14/433  
CPC ..... H01R 13/504; H01R 13/447; H01R  
13/6594; H01R 13/52; H01R 24/64;  
H01R 24/62; H01R 12/714; H01R  
13/506; H01R 13/6658

See application file for complete search history.

(56) **References Cited**

**U.S. PATENT DOCUMENTS**

D496,632 S *	9/2004	David	.....	D13/147
D500,988 S *	1/2005	Moriwake	.....	D13/147
D520,452 S *	5/2006	Moriwake	.....	D13/147
D520,954 S *	5/2006	Moriwake	.....	D13/147
D531,123 S *	10/2006	Hu	.....	D13/147
D531,578 S *	11/2006	Huang	.....	D13/147
D592,145 S *	5/2009	Sun	.....	D13/147
D636,344 S *	4/2011	Naito	.....	D13/154
D636,729 S *	4/2011	Yang	.....	D13/147

D656,462 S *	3/2012	Urano	.....	D13/133
D678,190 S *	3/2013	Beroukas	.....	D13/107
D693,310 S *	11/2013	Wang	.....	D13/147
D756,298 S *	5/2016	Dorn	.....	D13/107
D820,264 S *	6/2018	Lai	.....	D14/433
D832,217 S *	10/2018	Lai	.....	D13/146

**OTHER PUBLICATIONS**

Black Box USB, [online], [retrieved on Aug. 29, 2019]. Retrieved from Internet ,<URL: [https://www.cdw.com/product/Black-Box-USB-\(Type-A-Type-B\)-Panel-Mount-Couplers-Black/1322341?>](https://www.cdw.com/product/Black-Box-USB-(Type-A-Type-B)-Panel-Mount-Couplers-Black/1322341?>).\*

\* cited by examiner

*Primary Examiner* — Bridget L Eland

(74) *Attorney, Agent, or Firm* — Soroker Agmon Nordman

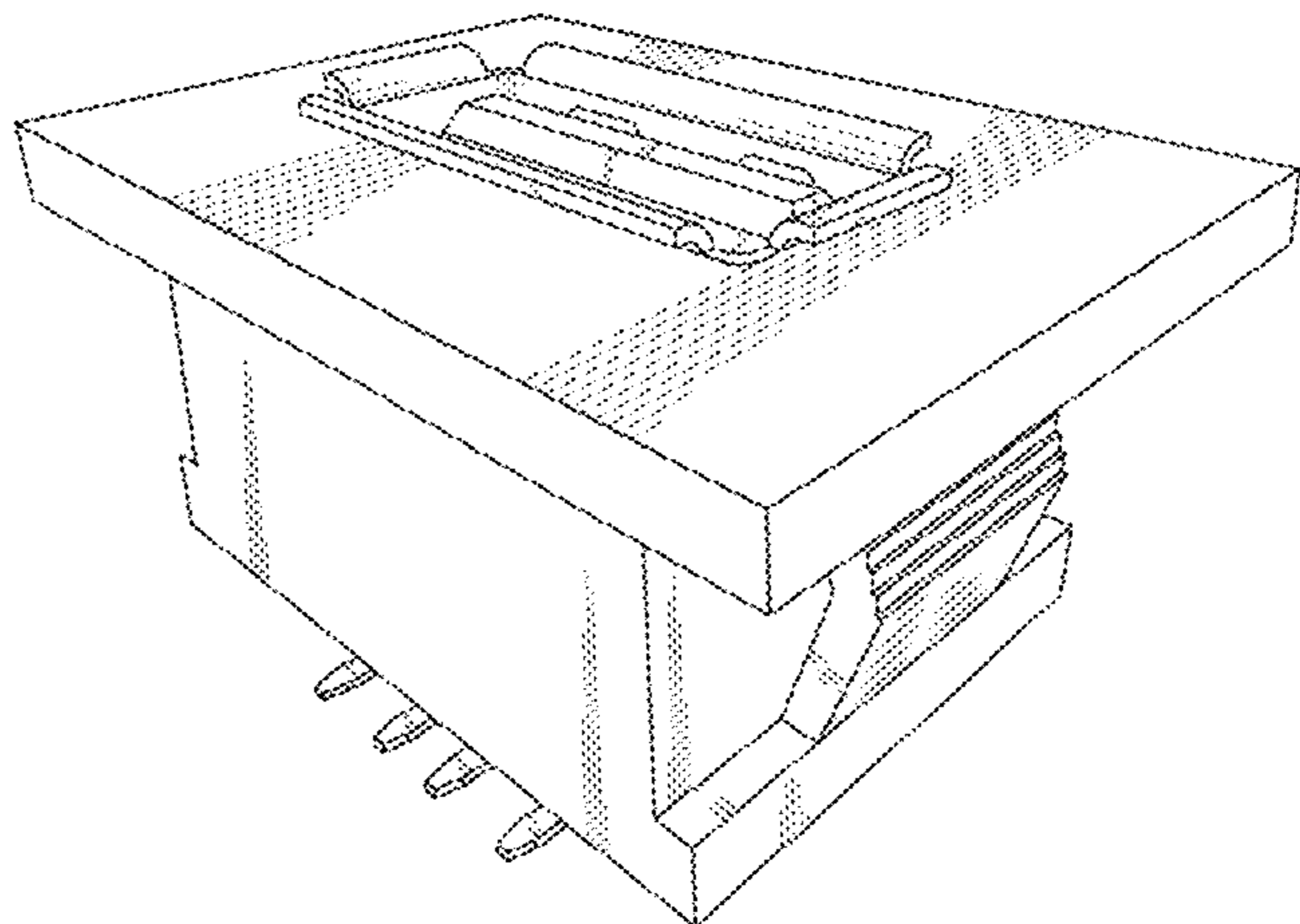
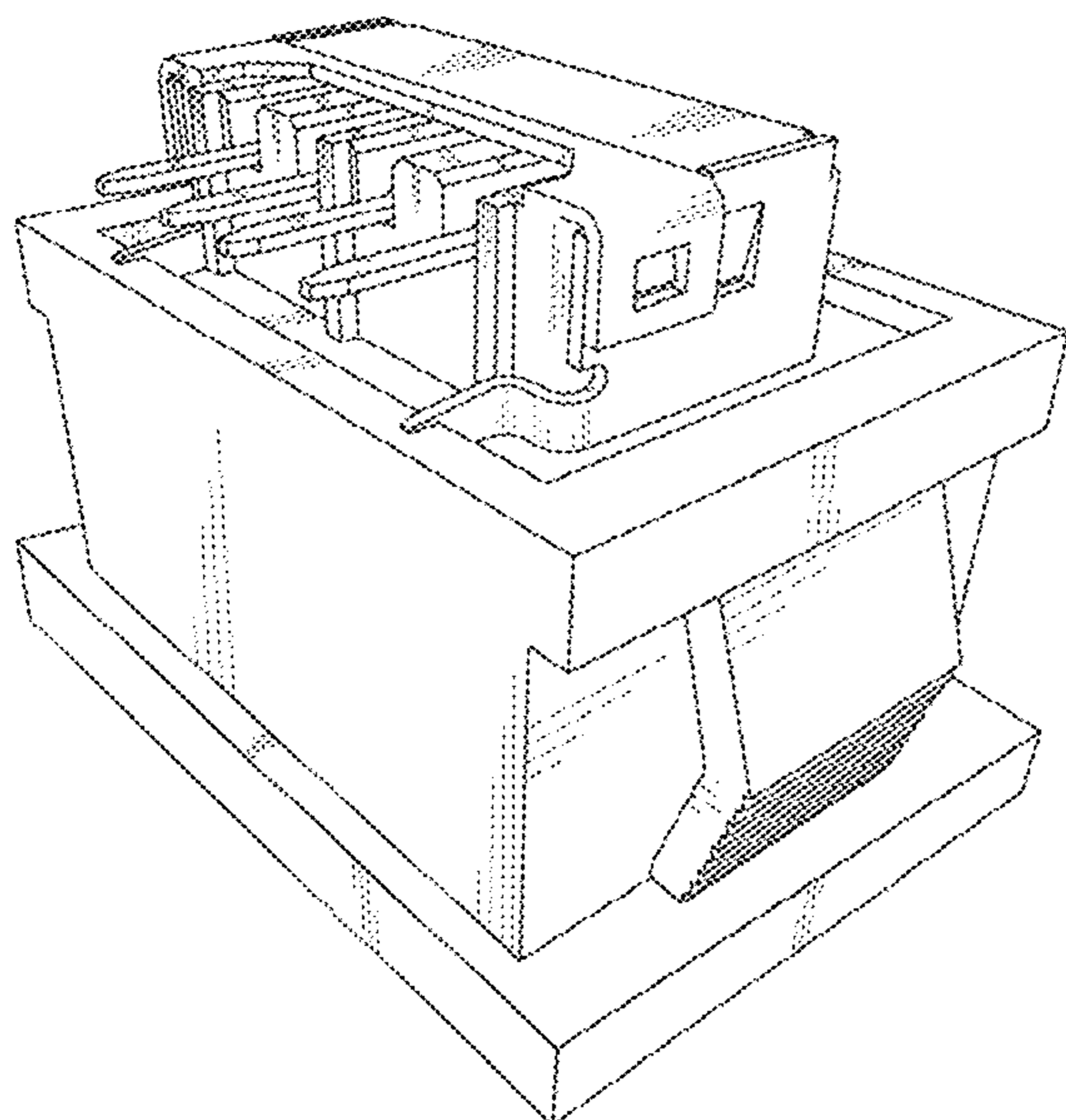
(57) **CLAIM**

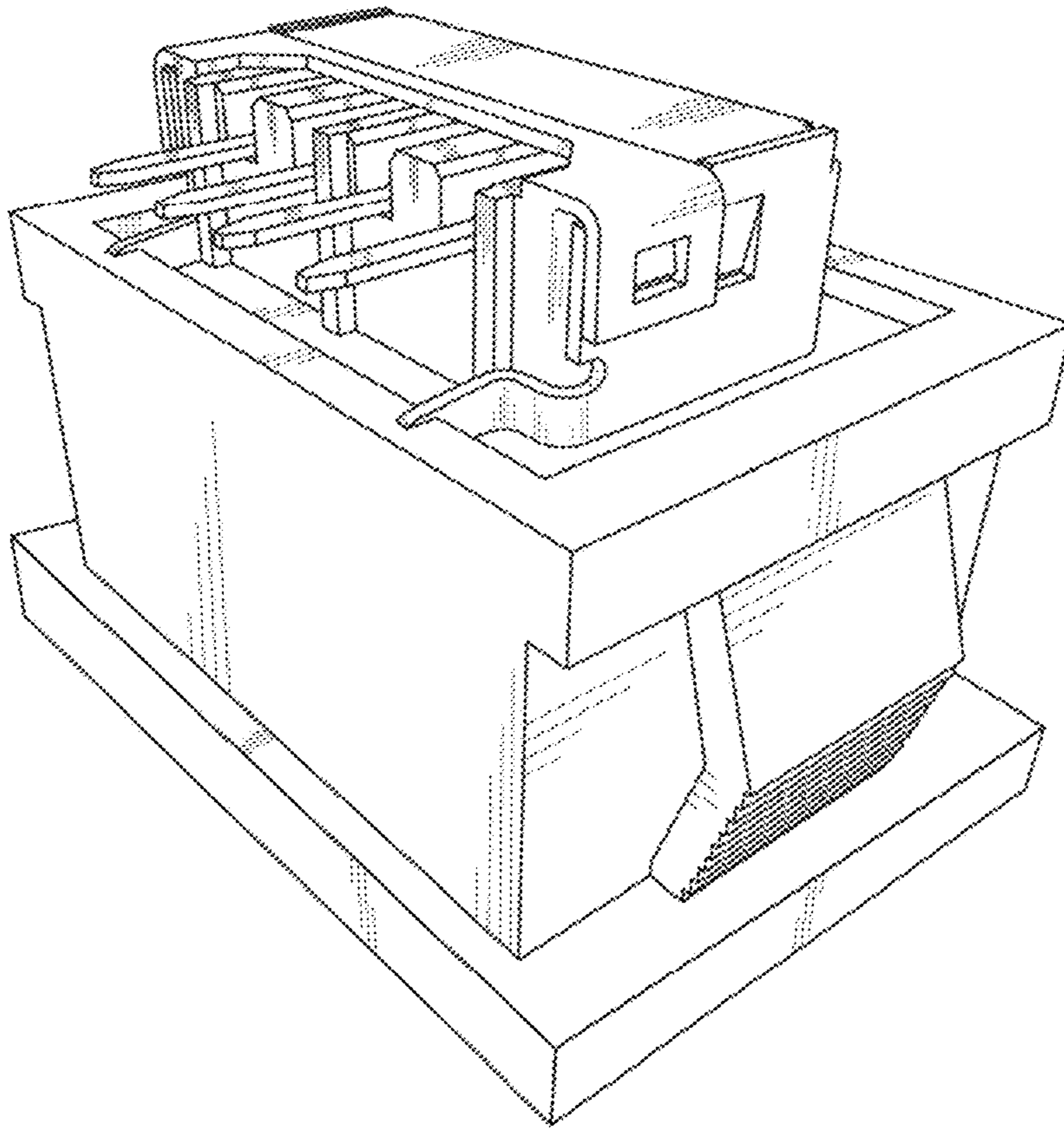
The ornamental design for a USB connector for racks, sections and panel devices, applicable to standards of USB2.0/USB3.0, type A, as shown and described.

**DESCRIPTION**

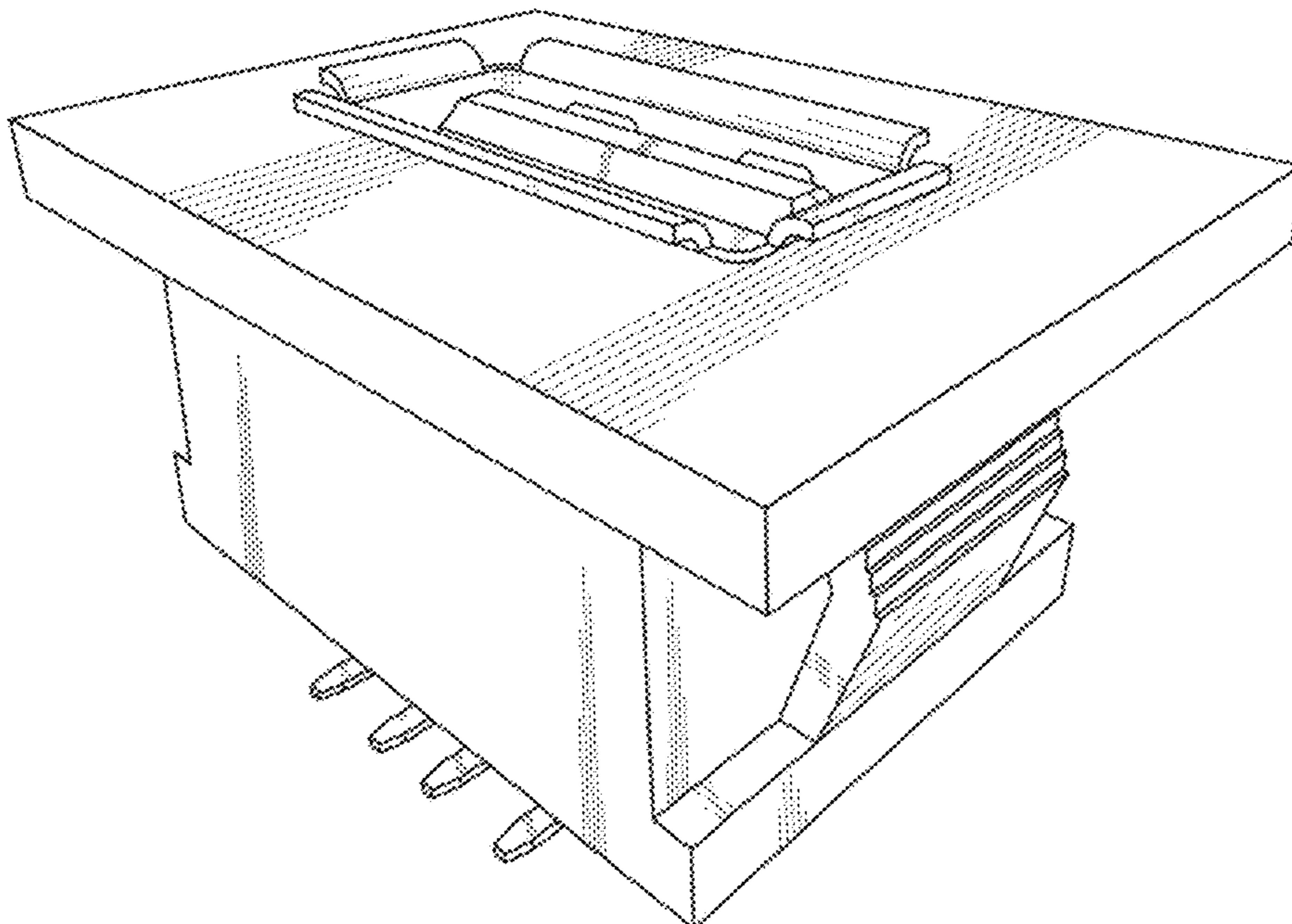
FIG. 1 is a bottom perspective view of a USB connector for racks, sections and panel devices, applicable to standards of USB2.0/USB3.0, type A, showing my new design; FIG. 2 is a top perspective view thereof; FIG. 3 is a rear view thereof; FIG. 4 is a front view thereof; FIG. 5 is a left side view thereof. The right side view is a mirror image of the left side view thereof; FIG. 6 is a bottom plan view thereof; and, FIG. 7 is a top plan view thereof.

**1 Claim, 4 Drawing Sheets**

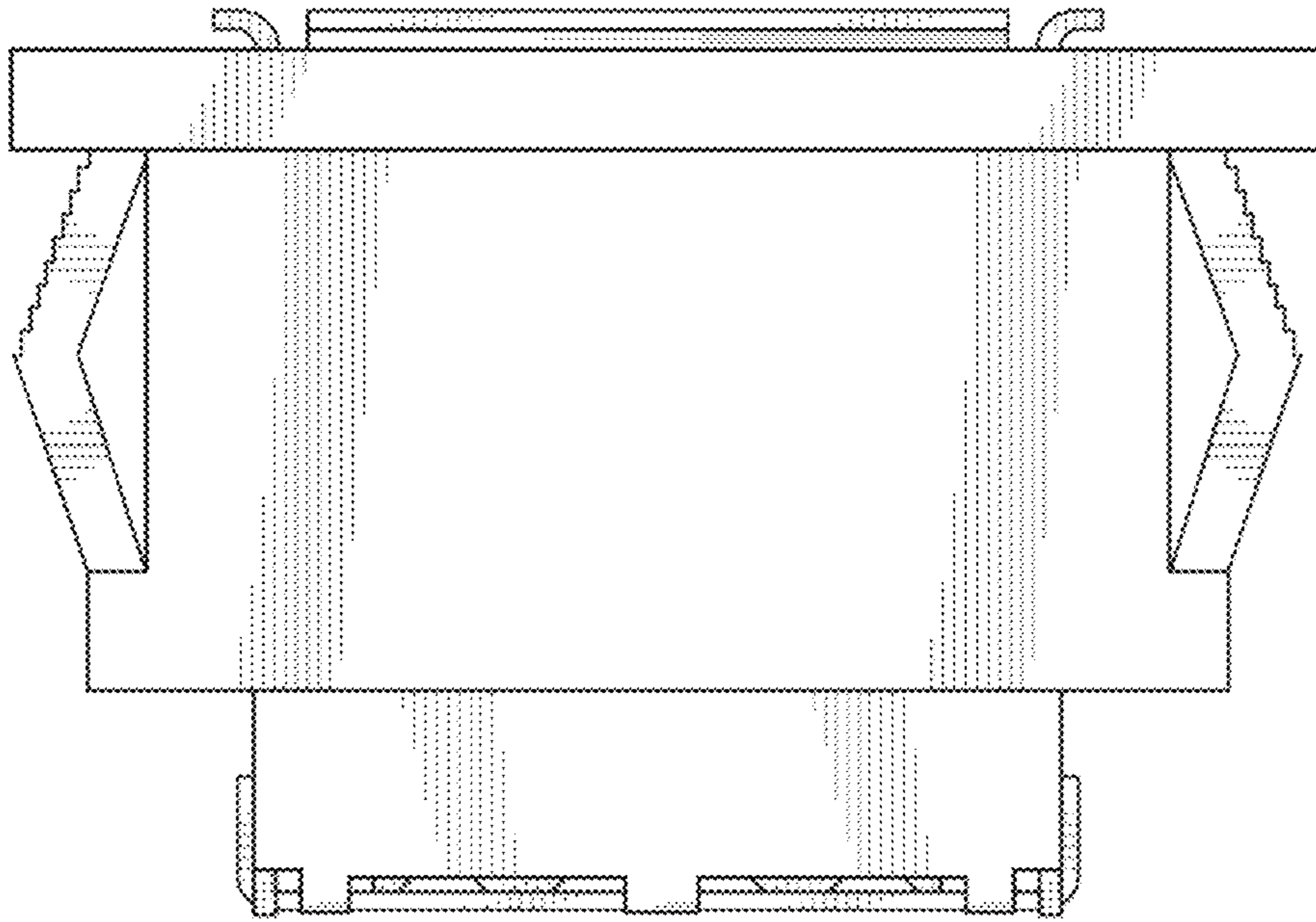




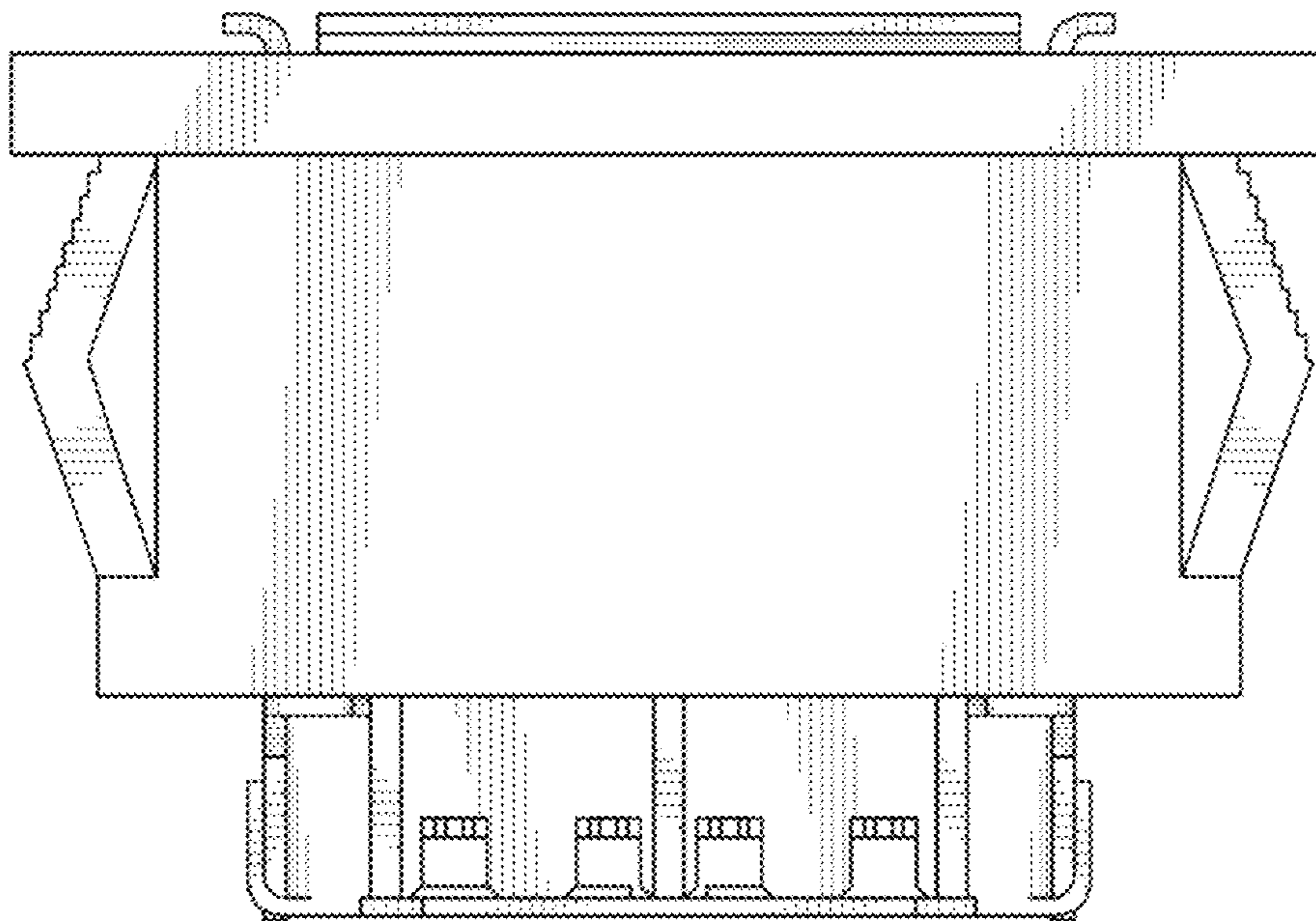
*FIG. 1*



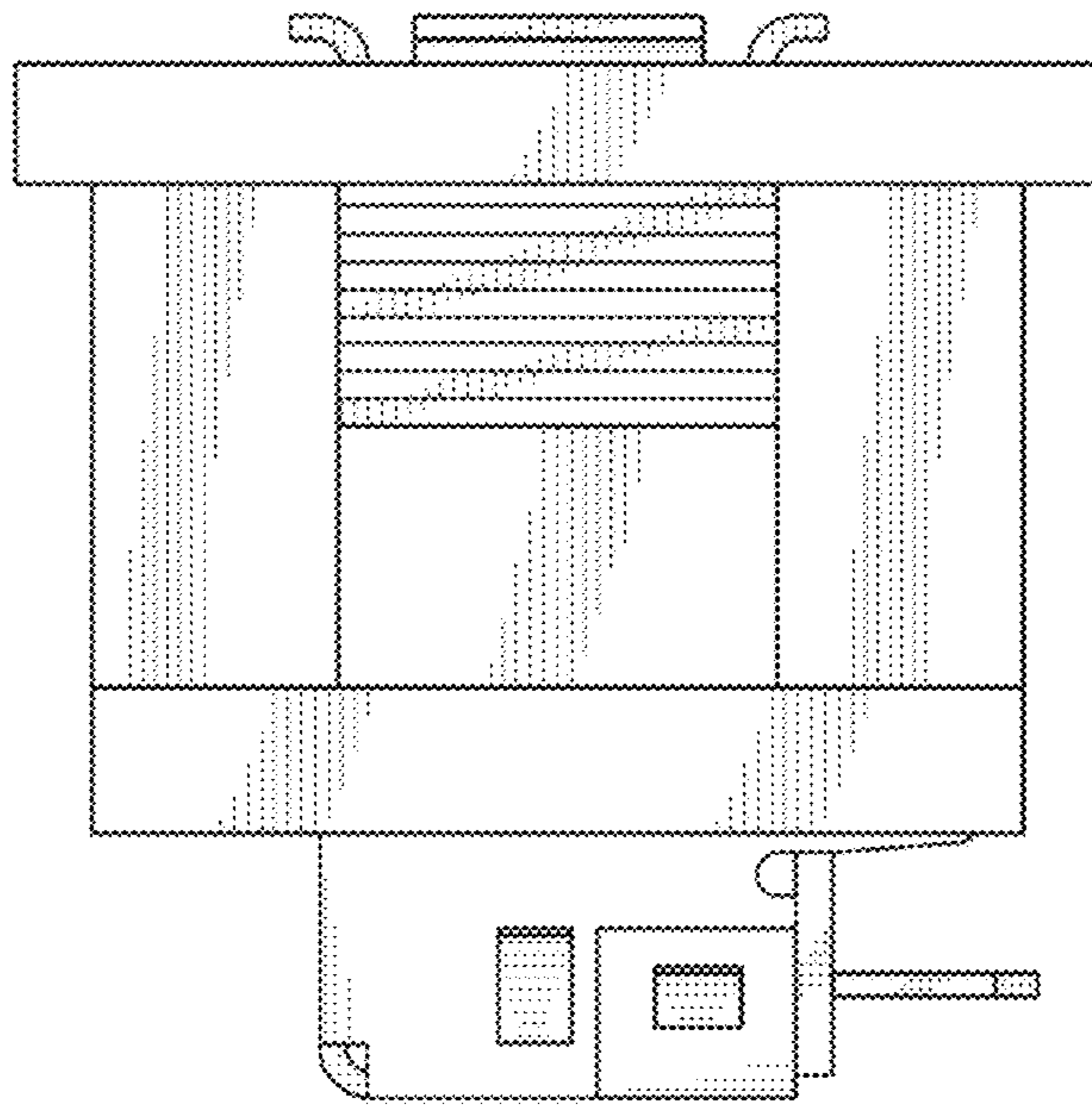
*FIG. 2*



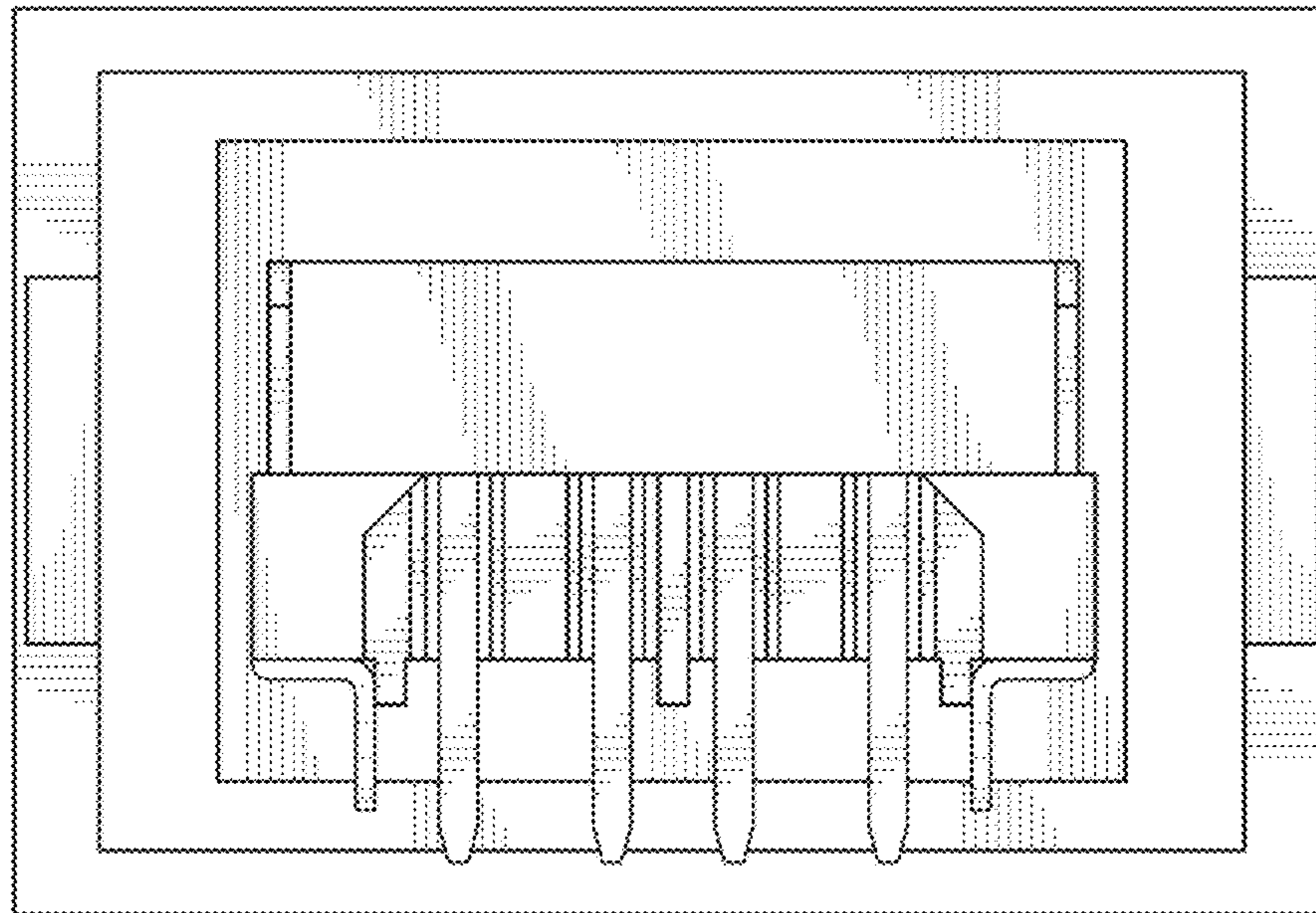
*FIG. 3*



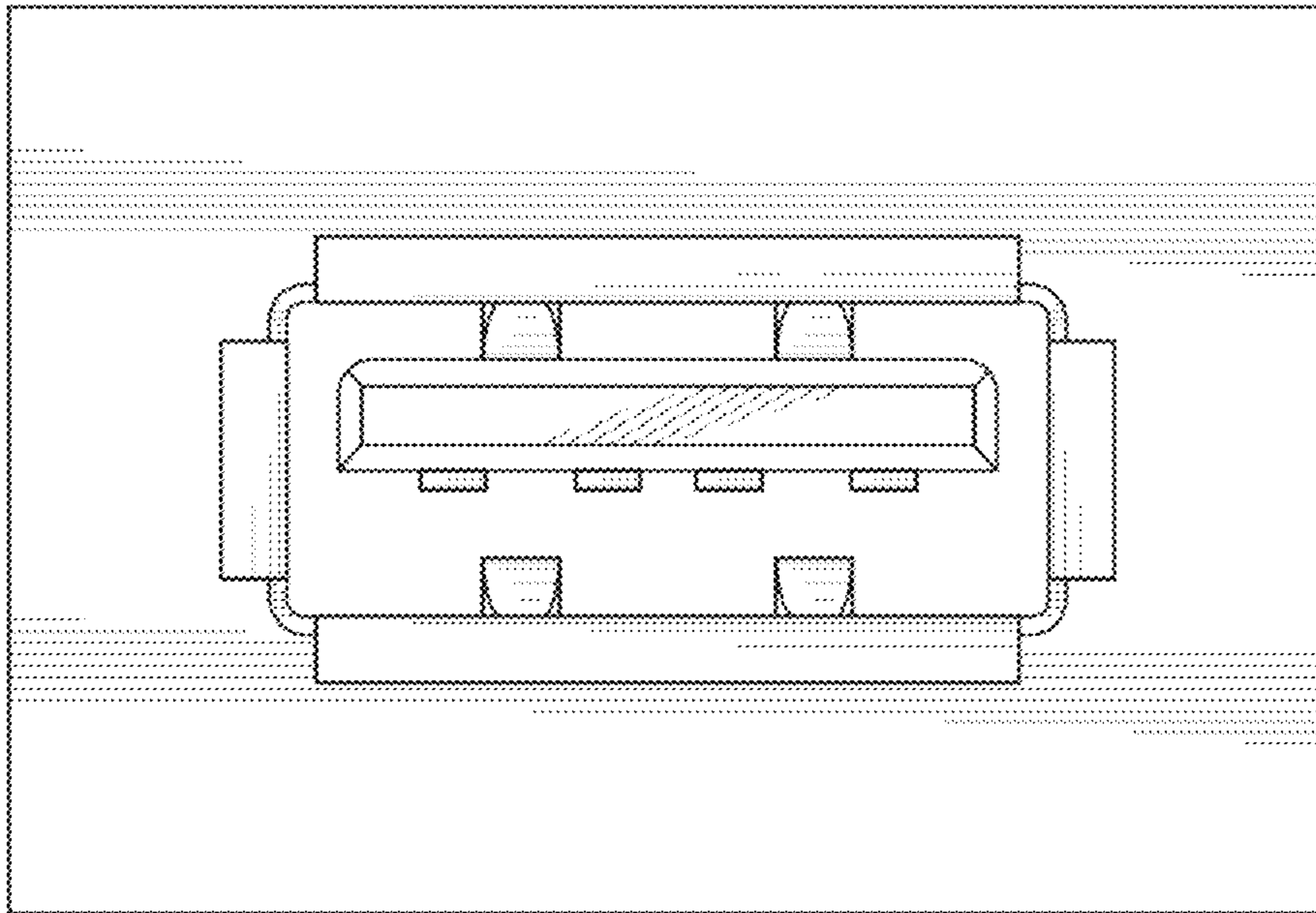
*FIG. 4*



*FIG. 5*



*FIG. 6*



*FIG. 7*