



US00D870049S

(12) **United States Design Patent** (10) **Patent No.:** **US D870,049 S**
Morita et al. (45) **Date of Patent:** **** Dec. 17, 2019**

(54) **ELECTRIC CONNECTOR**
(71) Applicant: **KYOCERA Corporation**, Kyoto-shi,
Kyoto (JP)
(72) Inventors: **Shunsuke Morita**, Yokohama (JP);
Masayoshi Kakino, Yokohama (JP);
Masashi Kakeno, Yokohama (JP)
(73) Assignee: **KYOCERA Corporation**, Kyoto-shi,
Kyoto (JP)
(**) Term: **15 Years**
(21) Appl. No.: **29/633,582**
(22) Filed: **Jan. 15, 2018**

(30) **Foreign Application Priority Data**
Nov. 1, 2017 (JP) 2017-024509
(51) **LOC (12) Cl.** **13-03**
(52) **U.S. Cl.**
USPC **D13/147**
(58) **Field of Classification Search**
USPC D13/147, 154; D15/146, 133
CPC H01R 12/73; H01R 13/193; H01R 13/02;
H01R 24/00
See application file for complete search history.

(56) **References Cited**
U.S. PATENT DOCUMENTS
D501,448 S * 2/2005 Ishikawa D13/147
D578,481 S * 10/2008 Lee D13/147
D642,535 S * 8/2011 Sato D13/147
D720,699 S * 1/2015 Watanabe D13/147
D722,974 S * 2/2015 Ueda D13/147
D739,826 S * 9/2015 Omodachi D13/147
D759,600 S * 6/2016 Takemoto D13/147
D774,462 S * 12/2016 Omodachi D13/147

D774,463 S * 12/2016 Omodachi D13/147
D811,344 S * 2/2018 Ozeki D13/147
D816,043 S * 4/2018 Ashibu D13/147
D826,166 S * 8/2018 Yayoshi D13/147
2014/0148022 A1* 5/2014 Mongold H01R 12/73
439/74

* cited by examiner
Primary Examiner — Bridget L Eland
(74) *Attorney, Agent, or Firm* — Kenja IP Law PC

(57) **CLAIM**
The ornamental design for an electric connector, as shown
and described.

DESCRIPTION

FIG. 1 is a top, front perspective view of an electric
connector showing our new design;
FIG. 2 is a front view thereof; a back view thereof being a
mirror image;
FIG. 3 is a top view thereof;
FIG. 4 is a right side view thereof;
FIG. 5 is a left side view thereof;
FIG. 6 is a bottom view thereof;
FIG. 7 is a cross-sectional view taken in the direction of line
7-7 in FIG. 2;
FIG. 8 is a cross-sectional view taken in the direction of line
8-8 in FIG. 2;
FIG. 9 is a cross-sectional view taken in the direction of line
9-9 in FIG. 3; and,
FIG. 10 is a cross-sectional view taken in the direction of
line 10-10 in FIG. 3.
The dot-dash broken lines represent the bounds of the
claimed design while all other broken lines are directed to
environment and are for illustrative purposes only; the
broken lines form no part of the claimed design.

1 Claim, 10 Drawing Sheets

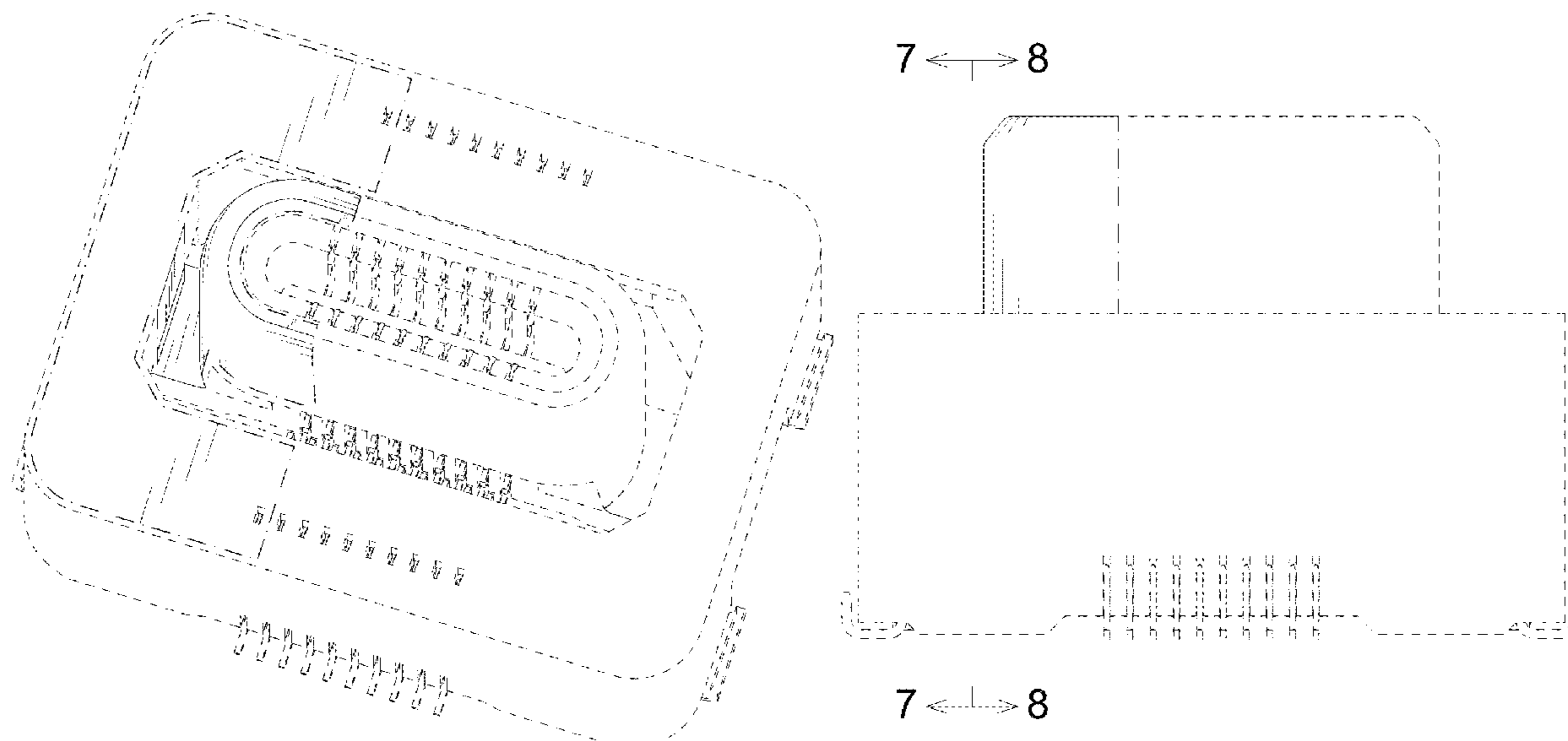


FIG. 1

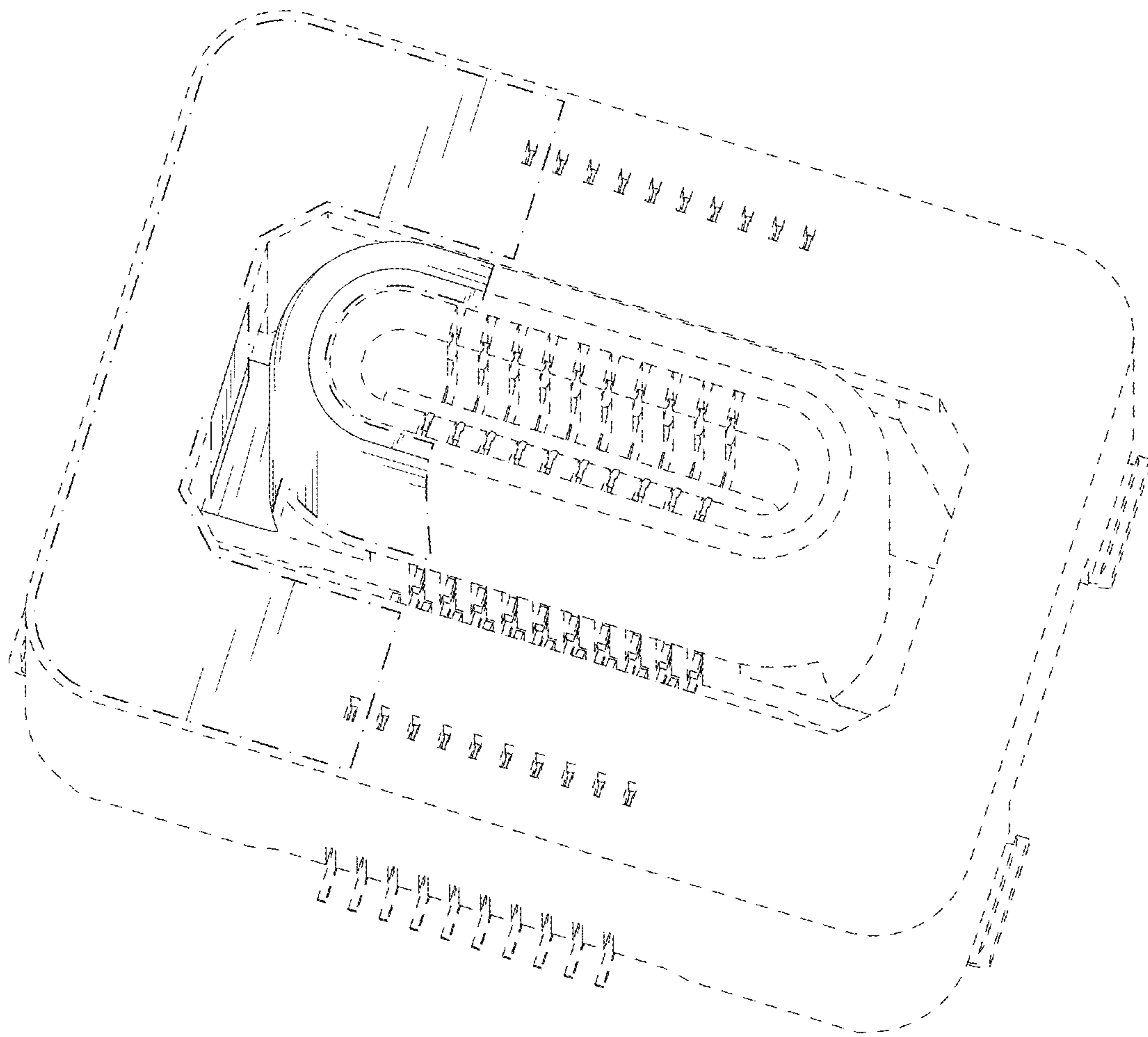


FIG. 2

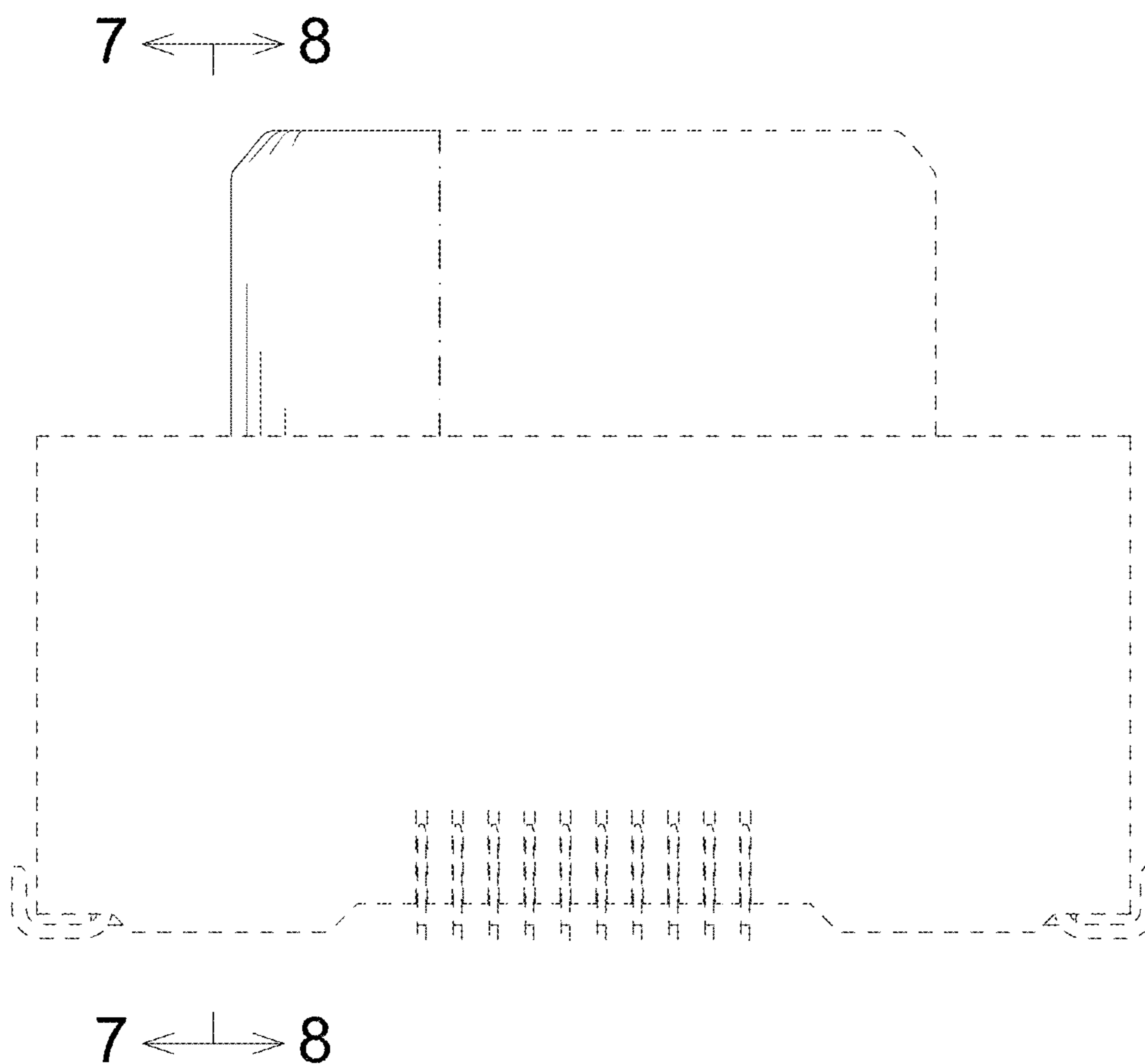


FIG. 3

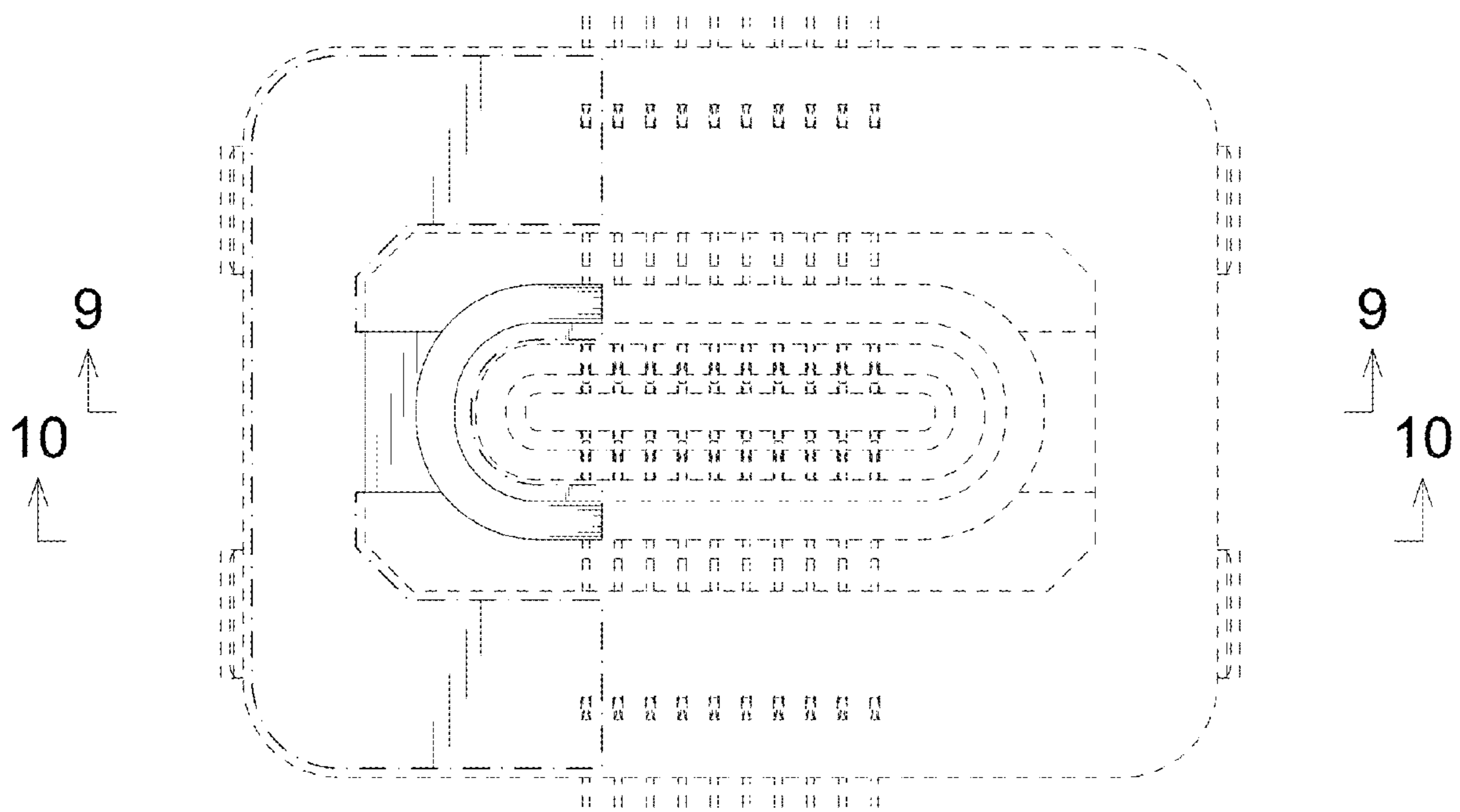


FIG. 4

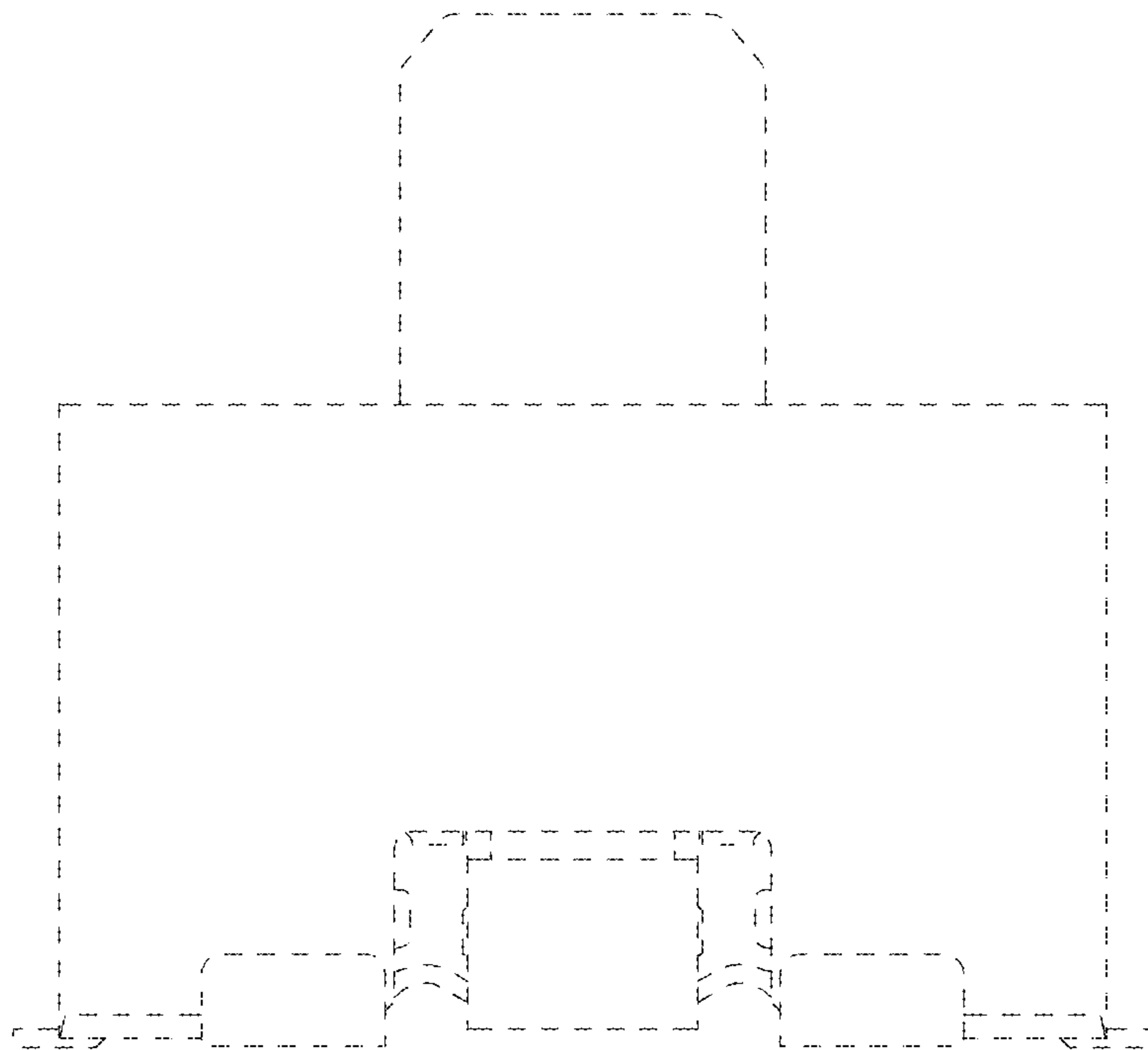


FIG. 5

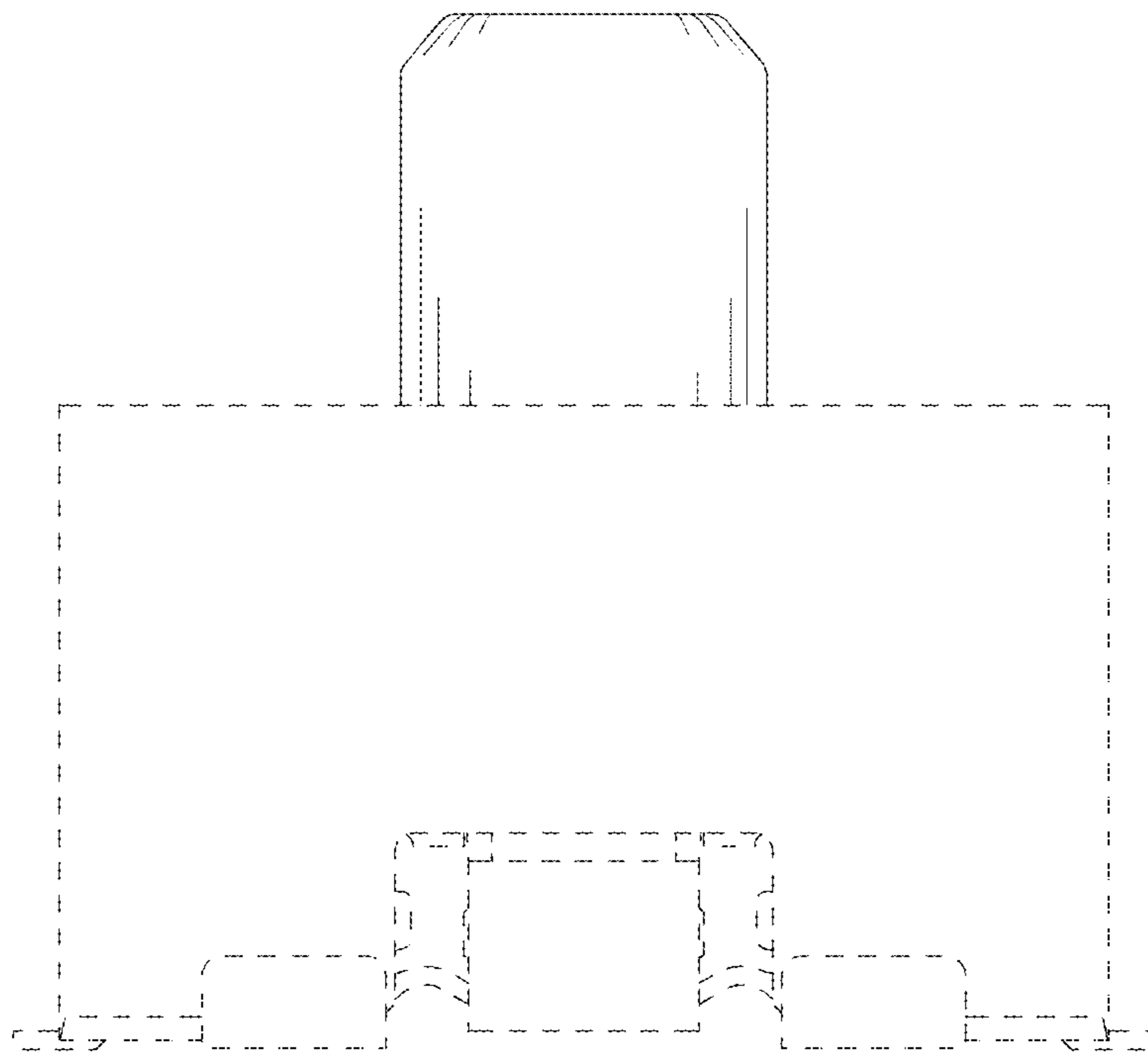


FIG. 6

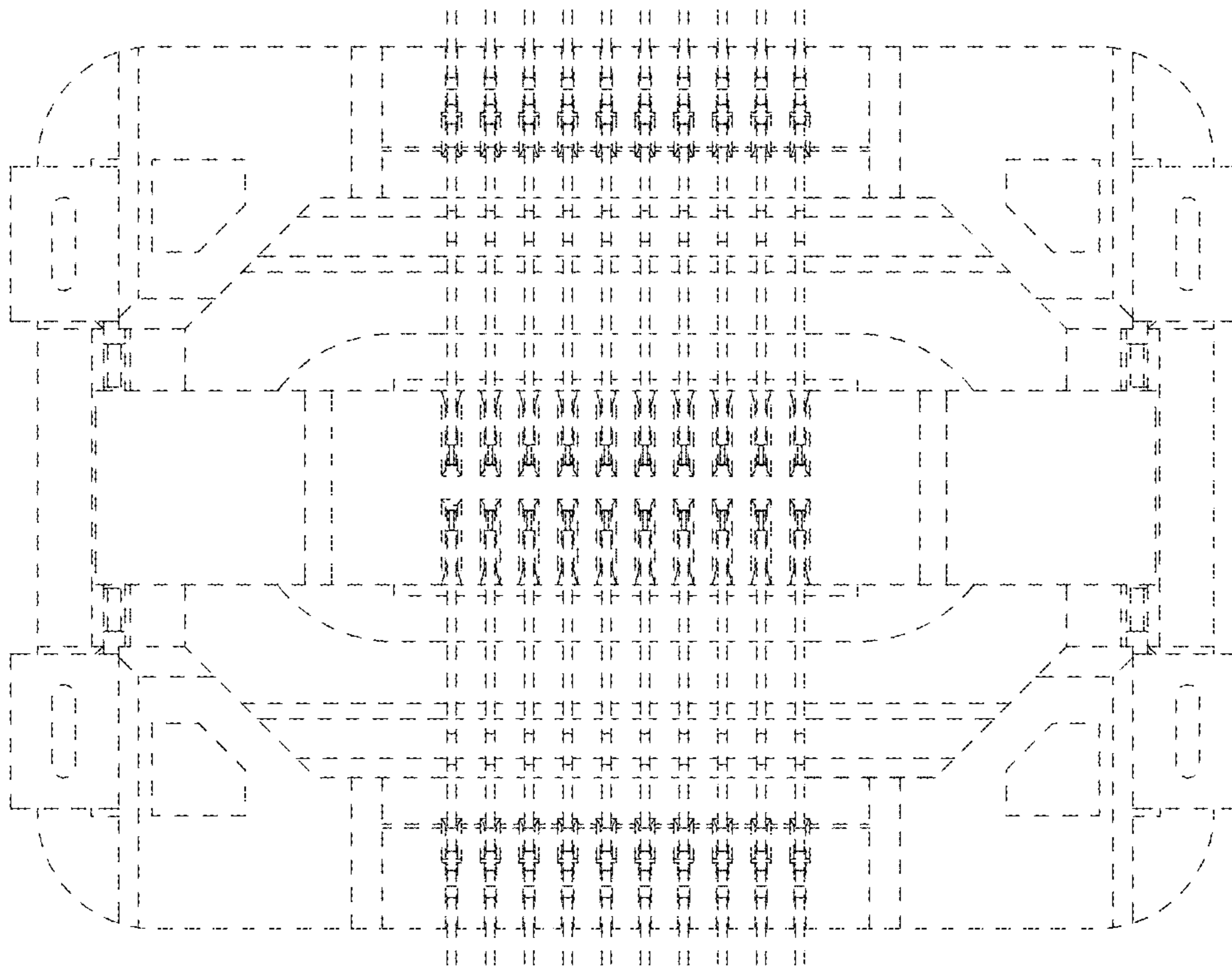


FIG. 7

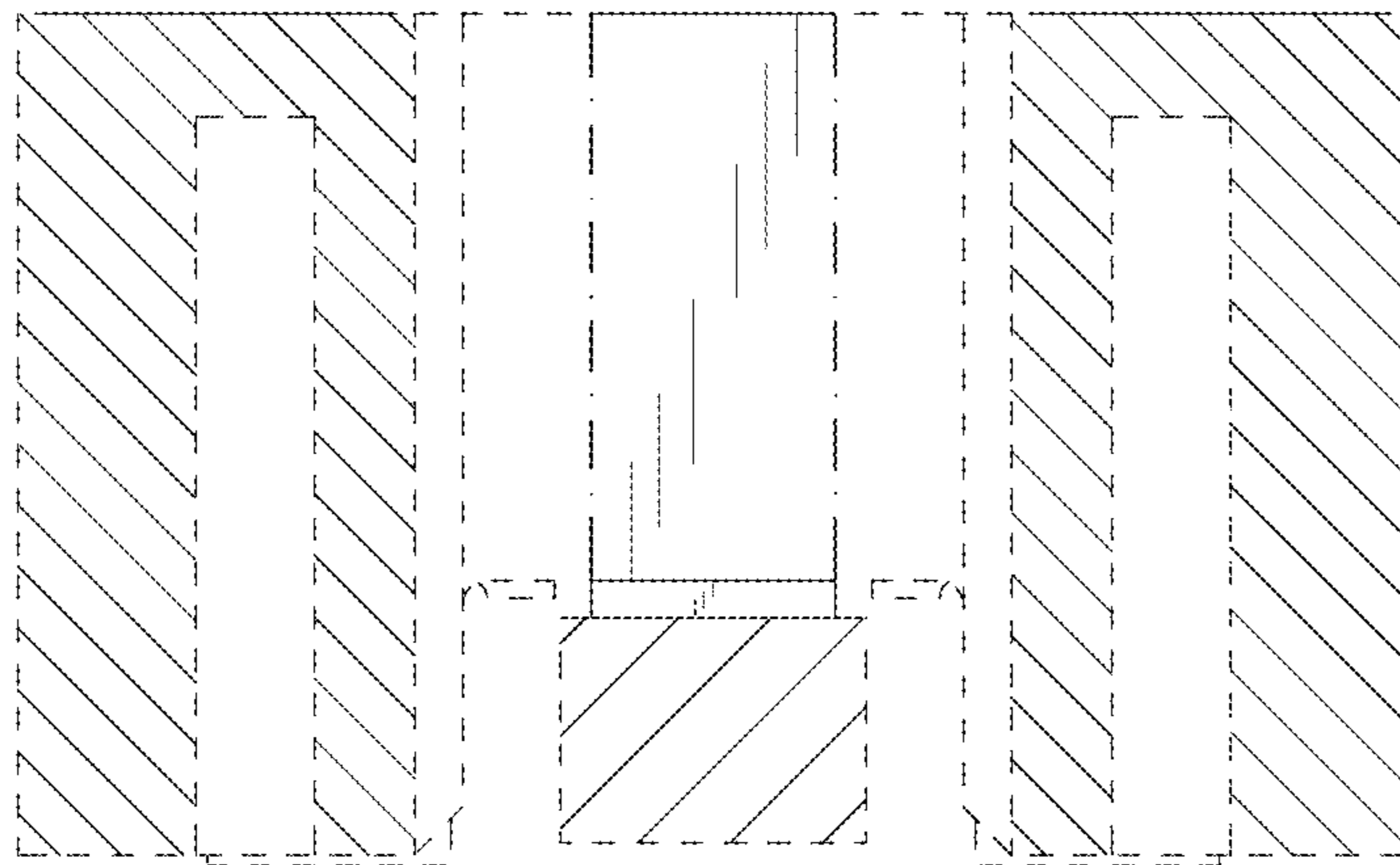


FIG. 8

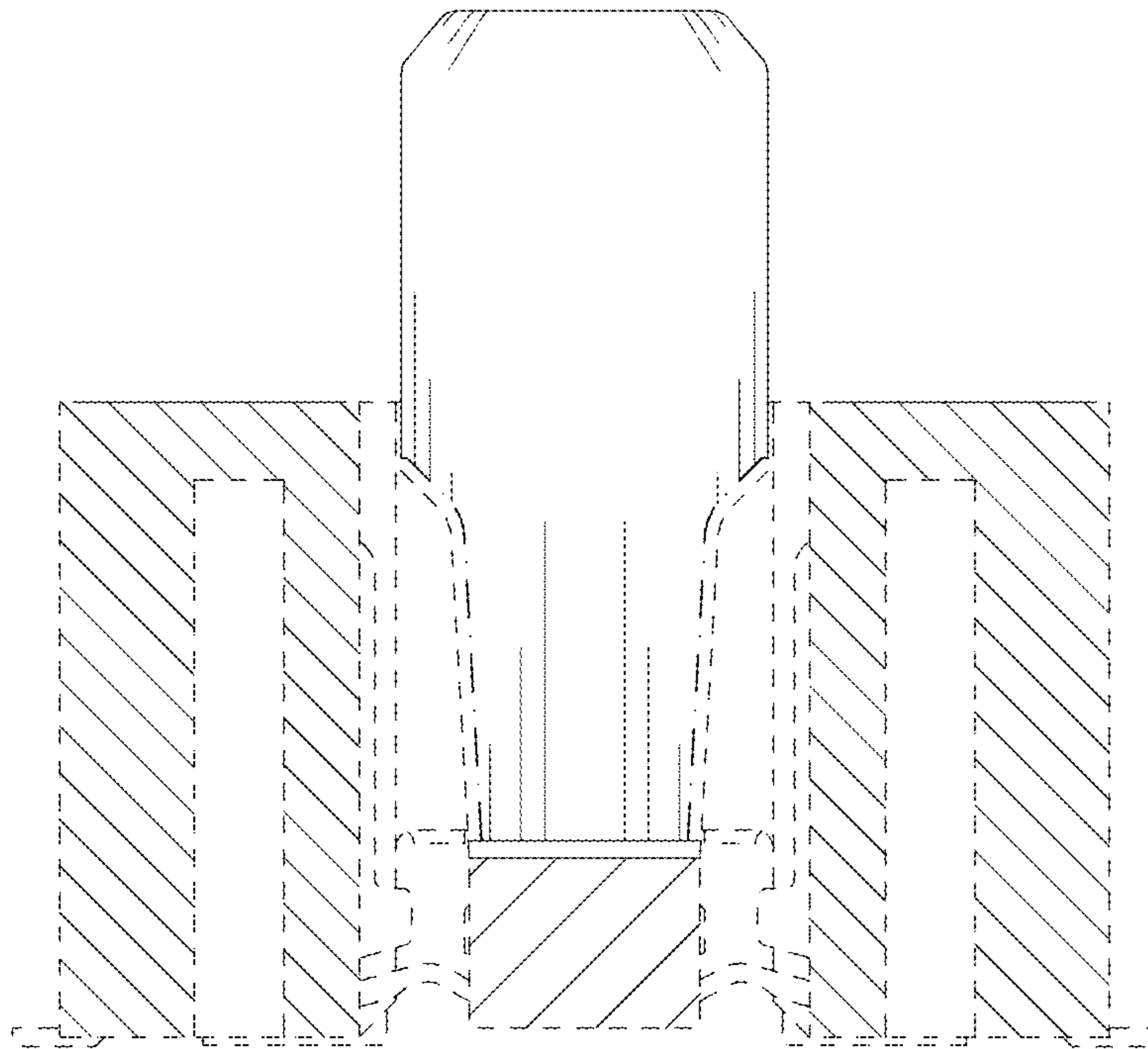


FIG. 9

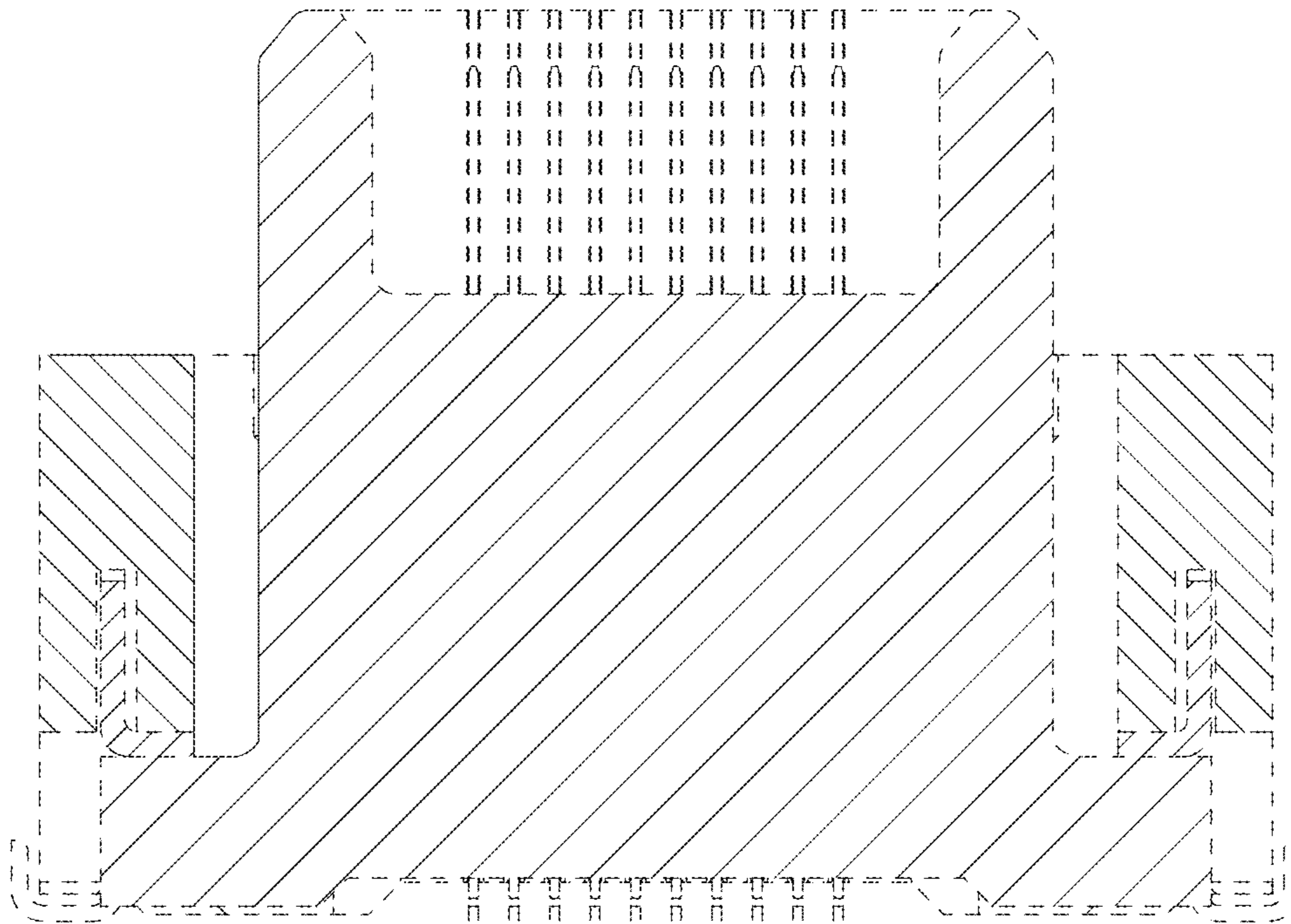


FIG. 10

