



US00D870045S

(12) **United States Design Patent**  
**Colvin**

(10) **Patent No.:** **US D870,045 S**

(45) **Date of Patent:** **\*\* Dec. 17, 2019**

(54) **ELECTRONIC COMPONENT CHASSIS**

(71) Applicant: **Eric Sonderlon Colvin**, Los Angeles, CA (US)

(72) Inventor: **Eric Sonderlon Colvin**, Los Angeles, CA (US)

(73) Assignee: **Eric S. Colvin**, Los Angeles, CA (US)

(\*\*) Term: **15 Years**

(21) Appl. No.: **29/662,626**

(22) Filed: **Sep. 6, 2018**

(51) **LOC (12) Cl.** ..... **13-03**

(52) **U.S. Cl.**  
USPC ..... **D13/133**

(58) **Field of Classification Search**

USPC ..... D13/110, 112, 118, 123-125, 128, 129, D13/133, 146-149, 154-156, 158, 173, D13/184, 199; D14/217, 225, 229  
CPC .... H01R 13/62; H01R 13/6273; H02B 1/052; H01H 85/00; H01H 85/055; H01H 85/22; H01H 85/50; H05K 1/02; H05K 5/00; H05K 5/02

See application file for complete search history.

(56) **References Cited**

**U.S. PATENT DOCUMENTS**

|           |     |         |          |       |              |
|-----------|-----|---------|----------|-------|--------------|
| 2,777,118 | A * | 1/1957  | Sundt    | ..... | H01H 85/202  |
|           |     |         |          |       | 439/698      |
| 3,418,615 | A * | 12/1968 | Canney   | ..... | H01H 85/20   |
|           |     |         |          |       | 337/190      |
| 3,492,628 | A * | 1/1970  | Matthews | ..... | H01H 85/202  |
|           |     |         |          |       | 439/81       |
| 3,927,927 | A * | 12/1975 | Salzer   | ..... | H01H 85/2045 |
|           |     |         |          |       | 439/571      |
| D406,230  | S * | 3/1999  | Brorsson | ..... | D13/154      |
| D572,661  | S * | 7/2008  | En Lin   | ..... | D13/133      |
| D664,936  | S * | 8/2012  | Nakayama | ..... | D13/178      |

(Continued)

**OTHER PUBLICATIONS**

Milling the Chassis, dated Dec. 15, 2018, [online], [site visited Aug. 27, 2019]. Available from Internet, URL: [https://www.youtube.com/watch?v=kd\\_T3AU8uD8](https://www.youtube.com/watch?v=kd_T3AU8uD8) (Year: 2018).\*

(Continued)

*Primary Examiner* — Angela J Lee

*Assistant Examiner* — Shawn T Gingrich

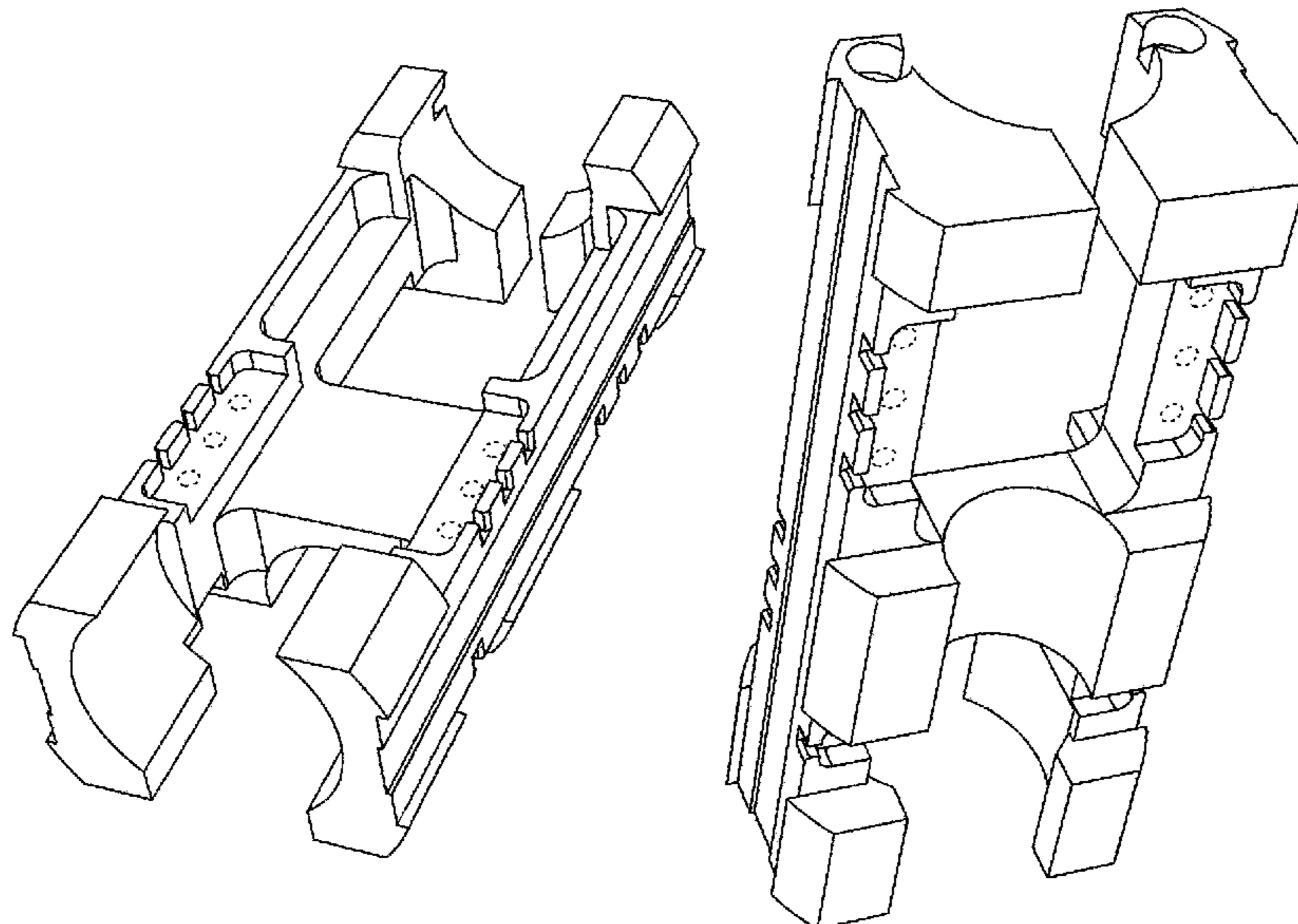
(57) **CLAIM**

The ornamental design for an electronic component chassis, as shown and described.

**DESCRIPTION**

FIG. 1 is a front elevational view of an electronic component chassis showing my new design; FIG. 2 is a rear elevational view thereof; FIG. 3 is a top plan view thereof; FIG. 4 is a bottom plan view thereof; FIG. 5 is a right side elevational view thereof; FIG. 6 is a left side elevational view thereof; FIG. 7 is a front, right side, and bottom perspective view thereof; FIG. 8 is a rear, left side, and bottom perspective view thereof; FIG. 9 is a front, left side, and top perspective view thereof; FIG. 10 is a rear, right side, and top perspective view thereof; and, FIG. 11 is a perspective view thereof. The broken lines showing various holes in FIGS. 1 & 2 as well as FIGS. 7-10 are included to show portions of the electronic component chassis that form no part of the claimed design. The broken lines showing various electronic components and hardware in FIG. 11 are included for the purpose of illustrating environmental use and form no part of the claimed design.

**1 Claim, 8 Drawing Sheets**



(56)

**References Cited**

U.S. PATENT DOCUMENTS

8,753,152 B1 \* 6/2014 Tsai ..... A47G 33/06  
439/668  
D808,347 S \* 1/2018 Benda ..... D13/178  
2012/0019346 A1 \* 1/2012 Levi ..... H01H 85/22  
337/214  
2012/0231648 A1 \* 9/2012 Little ..... H01R 12/7029  
439/345  
2018/0218870 A1 \* 8/2018 McWhinney ..... H01H 85/201  
2019/0196118 A1 \* 6/2019 Shouda ..... G02B 6/38

OTHER PUBLICATIONS

Sonderlonmicrophone Instagram, dated Jun. 17, 2019, [online], [site visited Aug. 27, 2019]. Available from Internet, URL: <https://www.instagram.com/p/By1CihIBBU1/> (Year: 2019).\*

Parts Express 3AG / AGC Screw Terminal Fuse Holder , dated Jun. 20, 2017, [online], [site visited Aug. 27, 2019]. Available from Internet, URL: <https://www.amazon.com/Parts-Express-Terminal-Holder-5-Pack/dp/B072YLL65L/> (Year: 2017).\*

\* cited by examiner

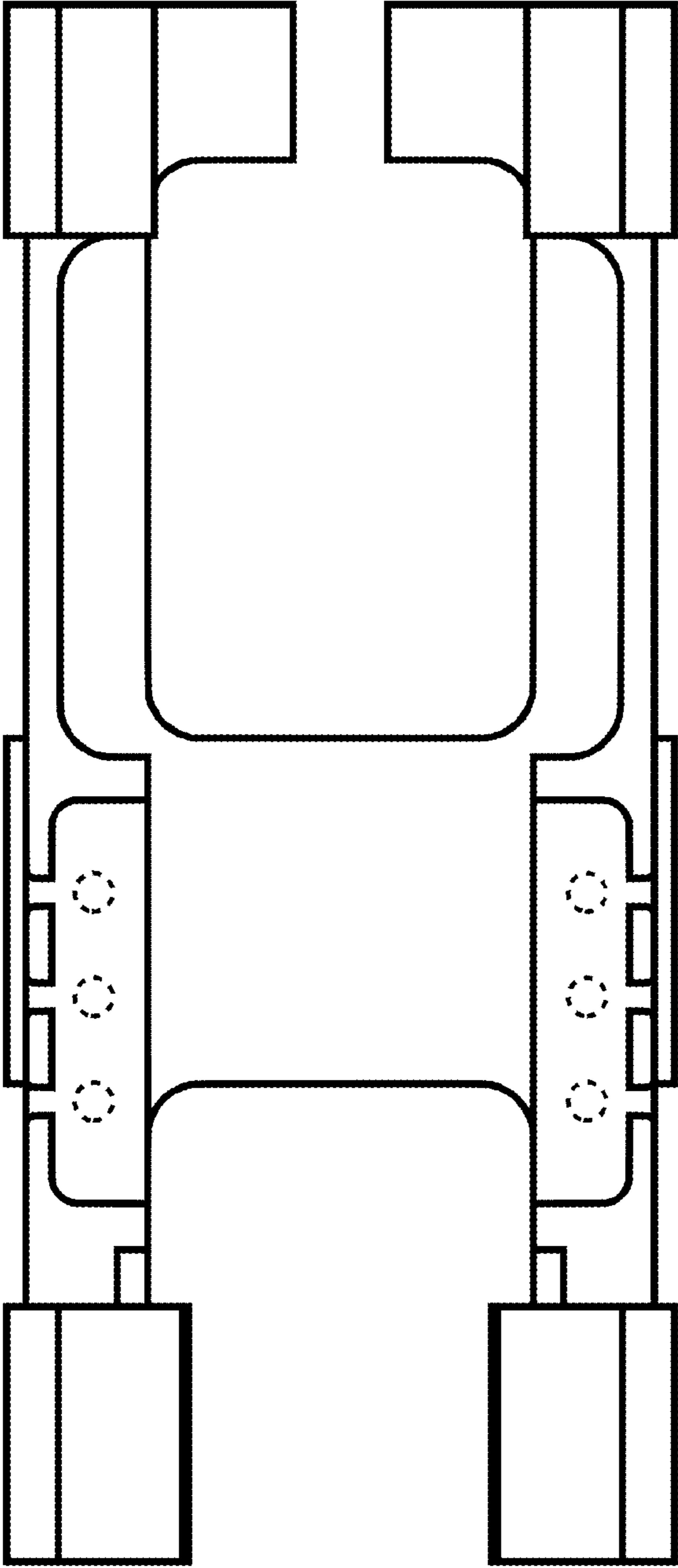


FIG. 1

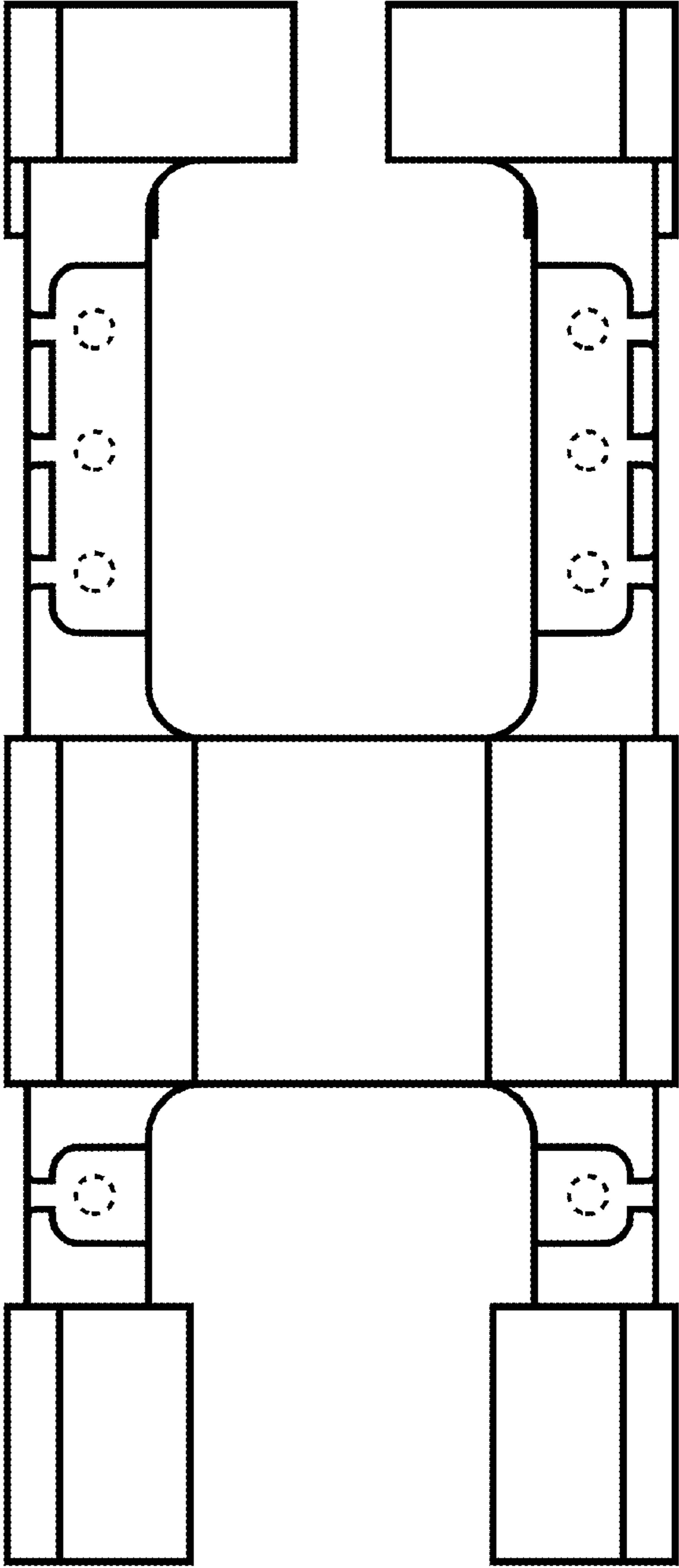


FIG. 2

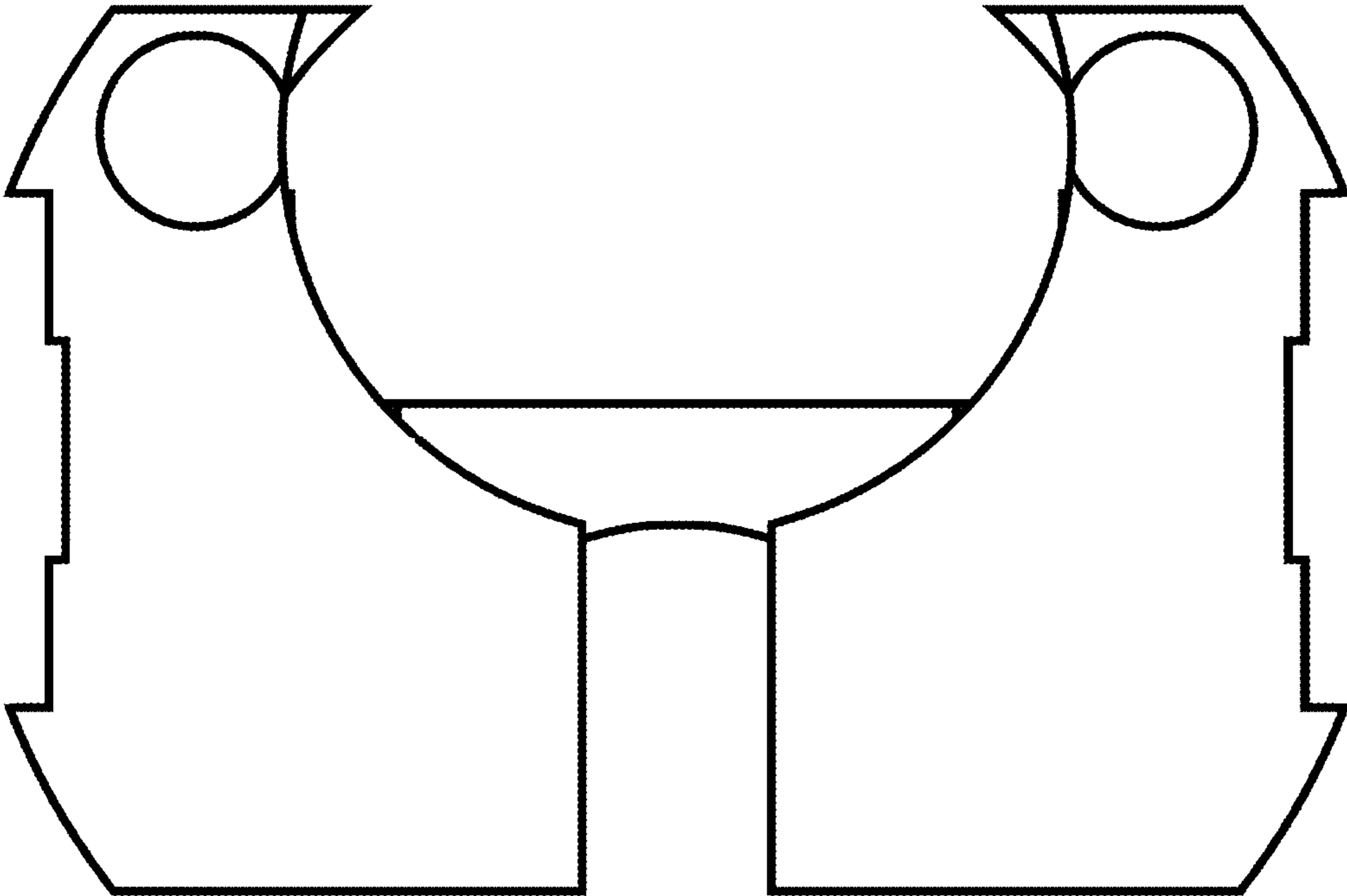


FIG. 3

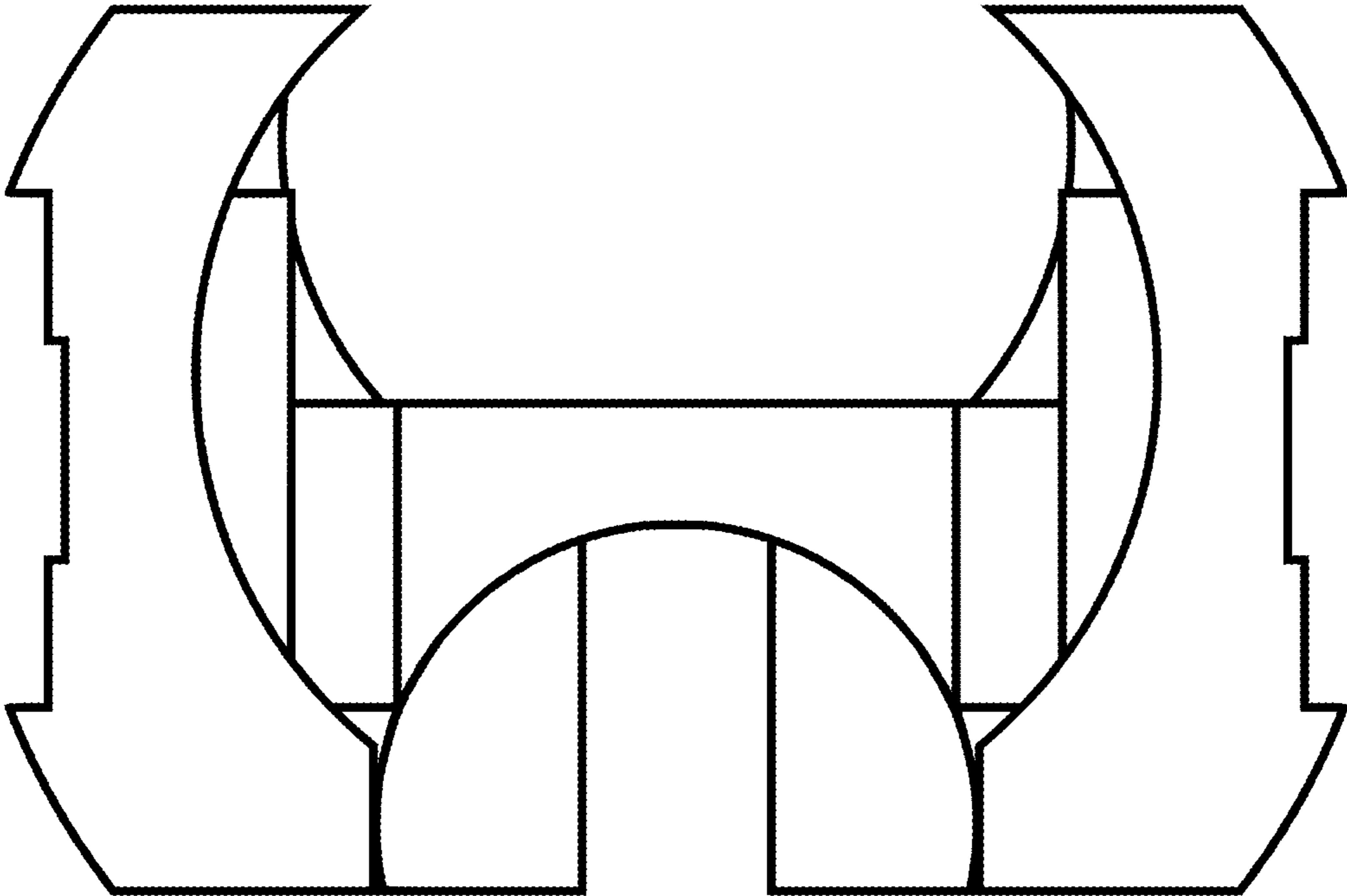


FIG. 4

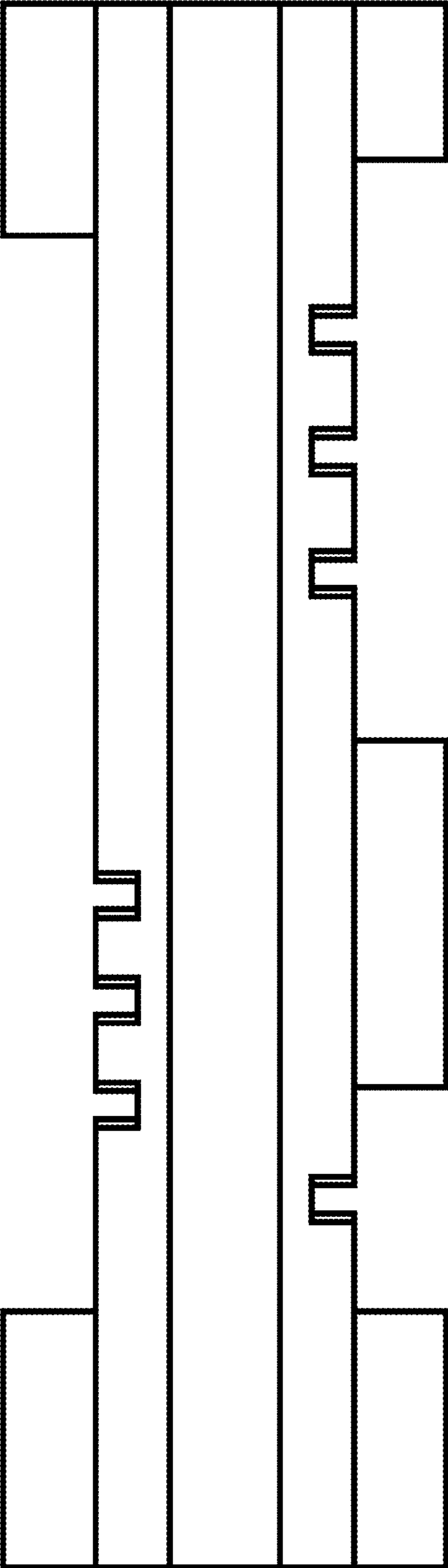


FIG. 5

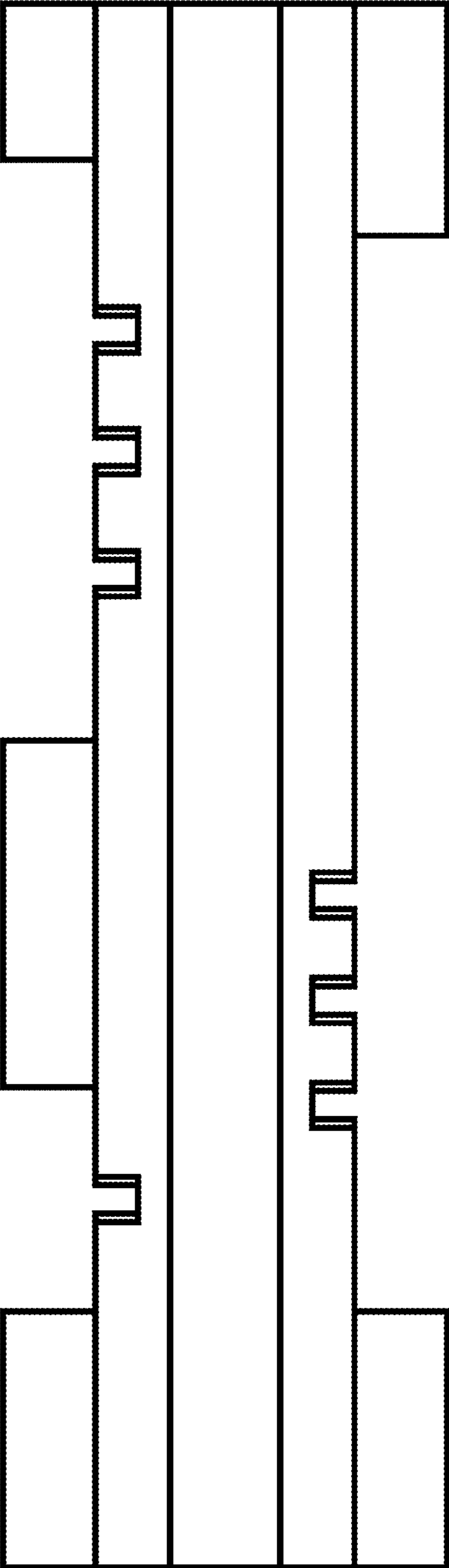


FIG. 6



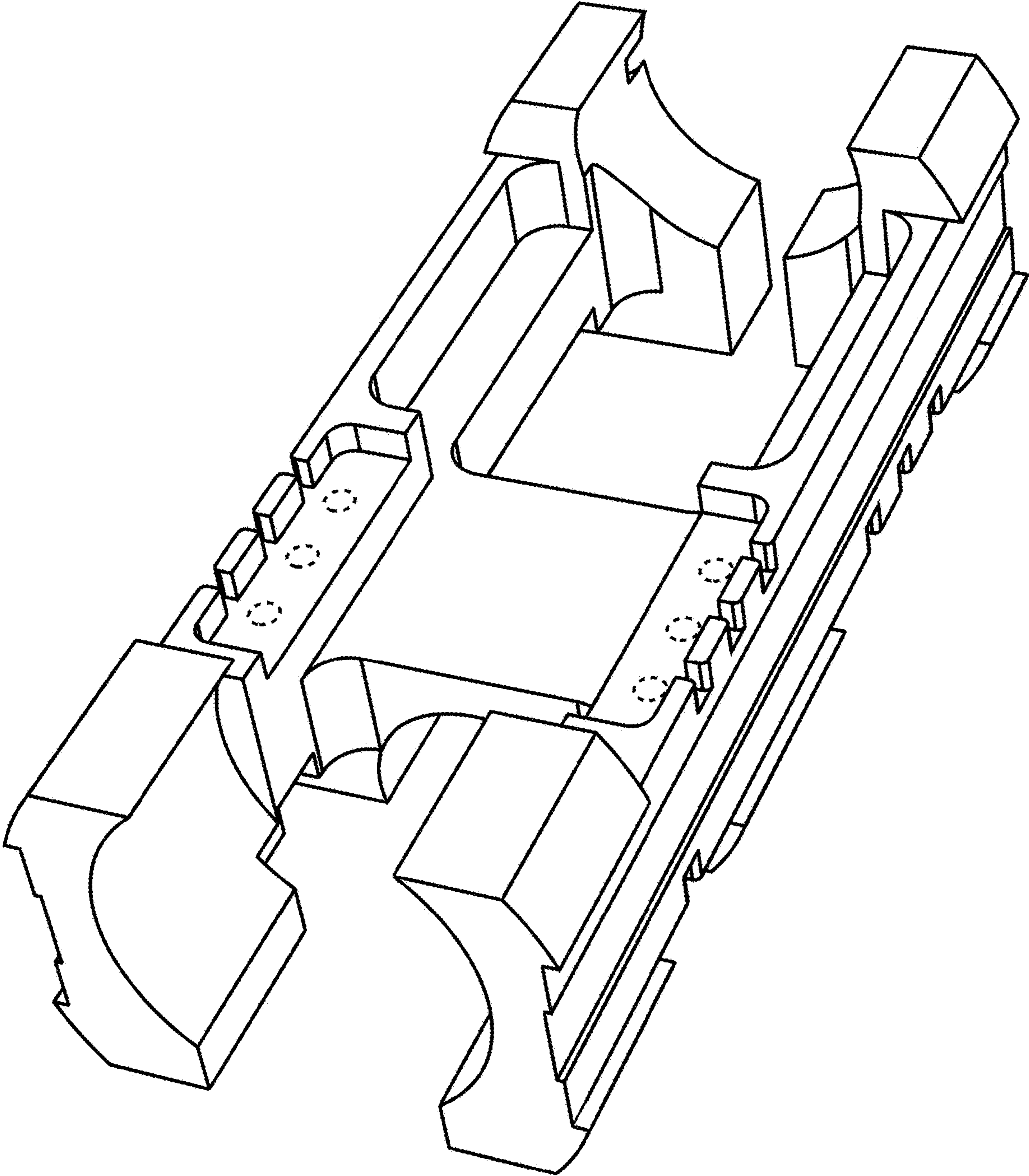


FIG. 7

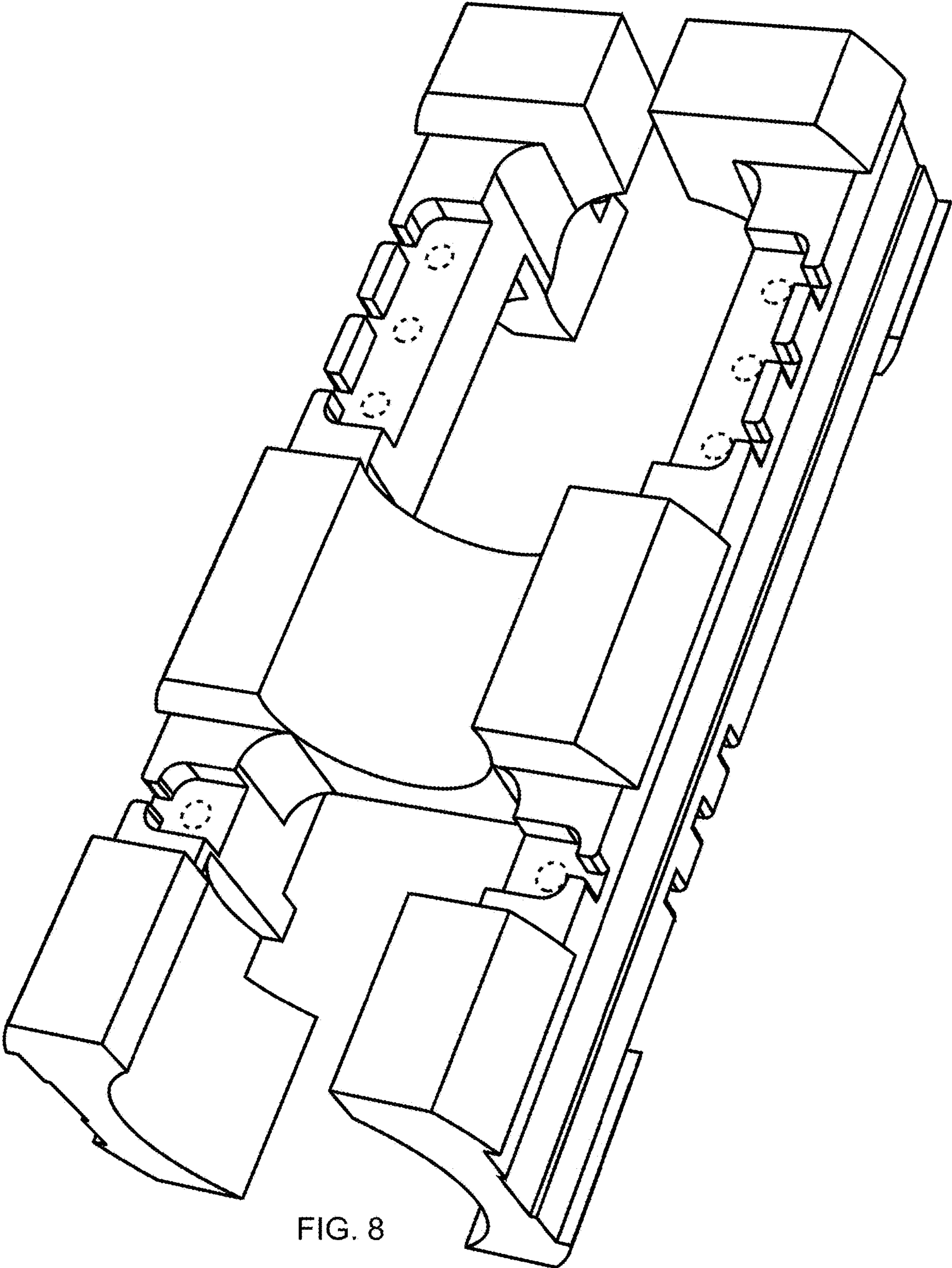


FIG. 8

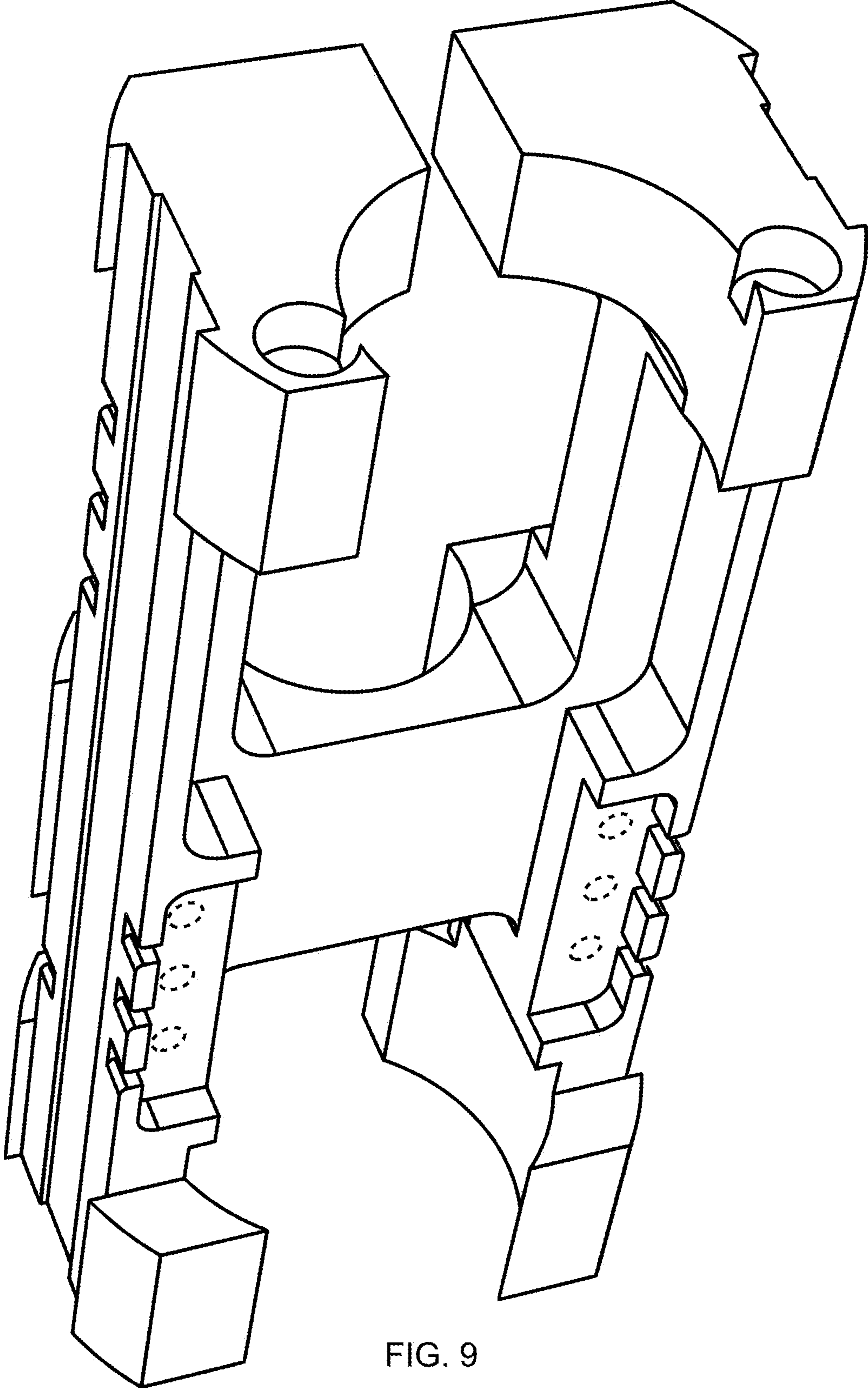


FIG. 9



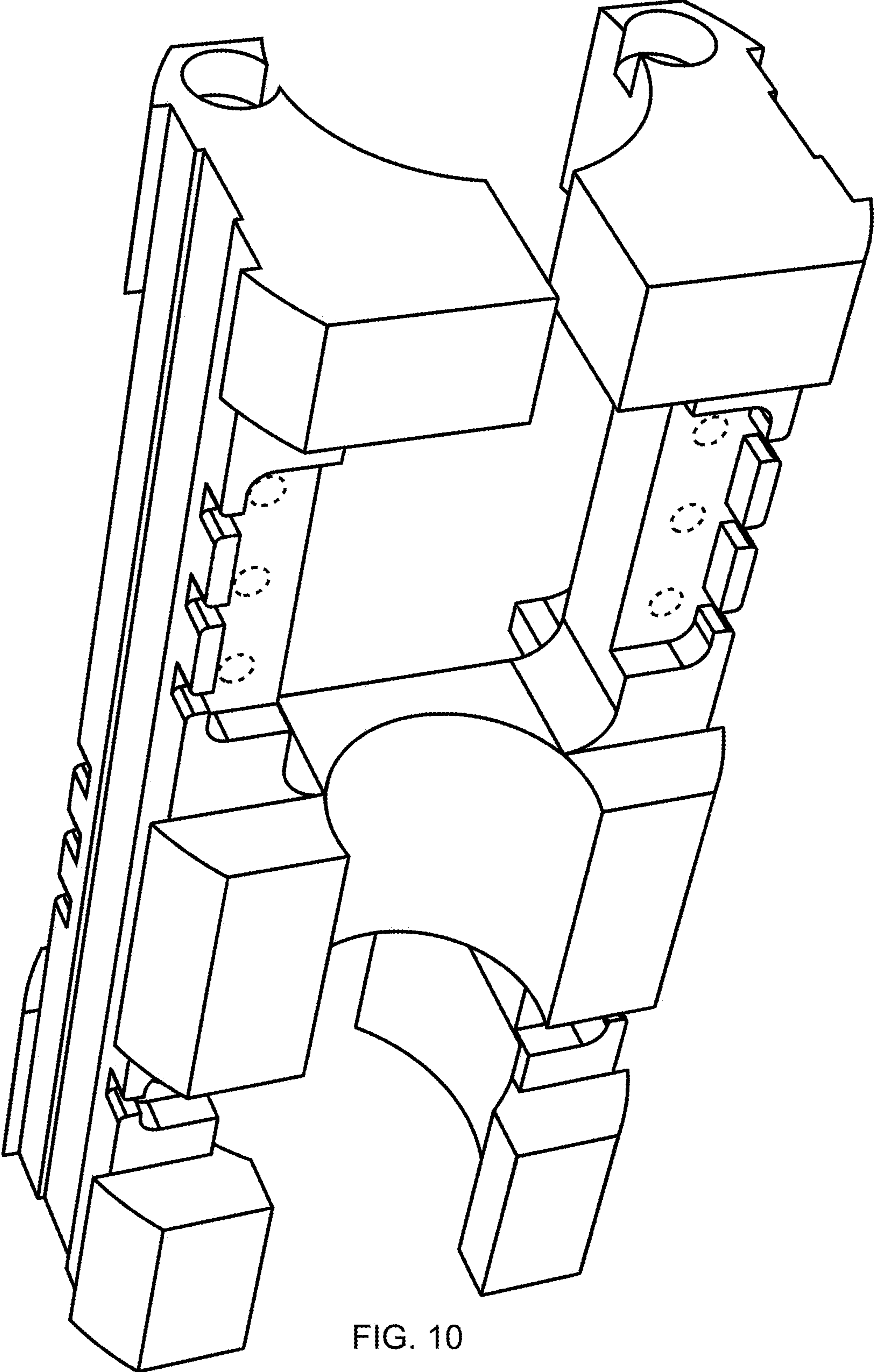


FIG. 10

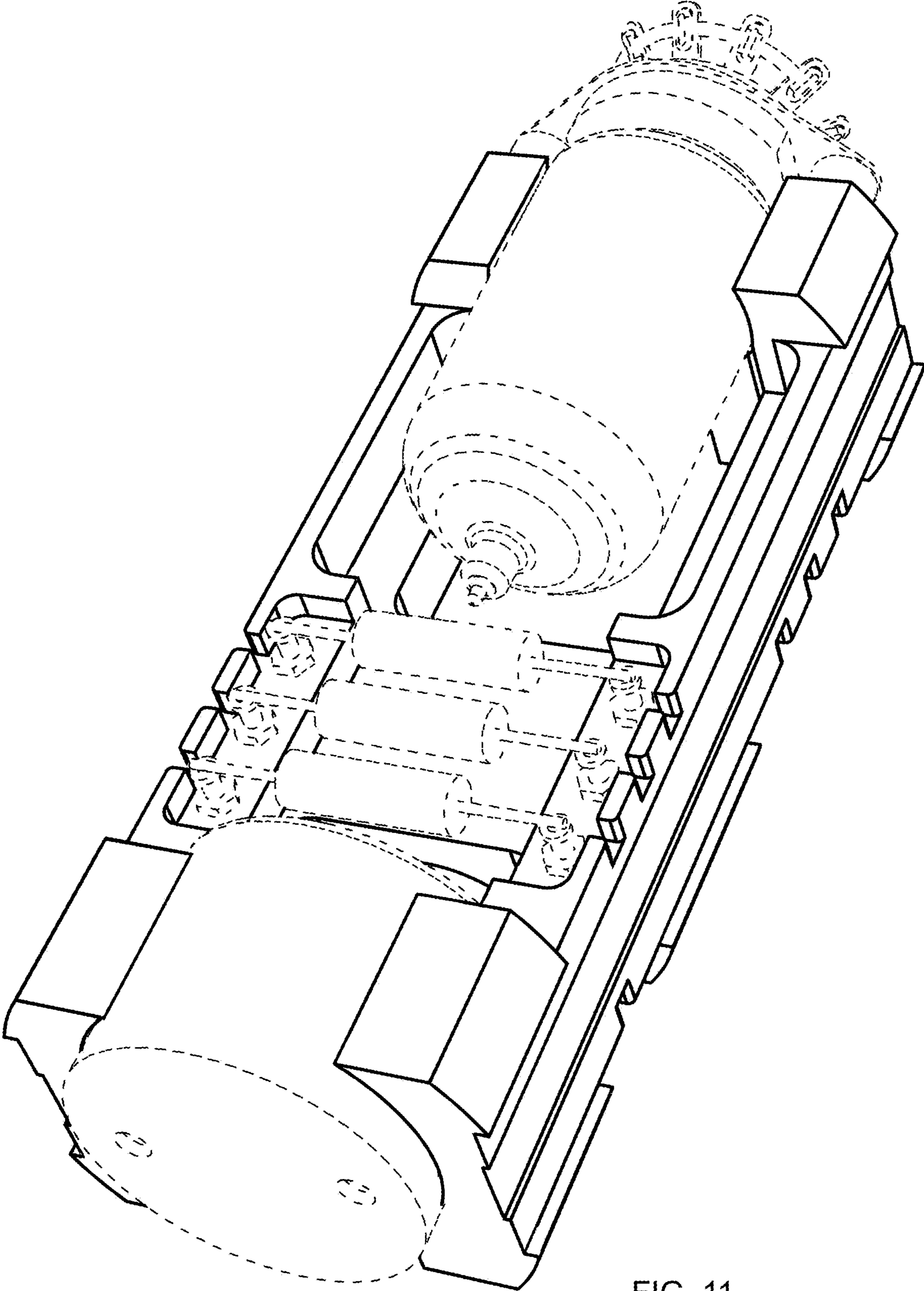


FIG. 11