



US00D870043S

(12) **United States Design Patent** (10) **Patent No.:** **US D870,043 S**
Xu (45) **Date of Patent:** **** Dec. 17, 2019**

(54) **INVERTER**
(71) Applicant: **Guangdong BESTEK E-commerce Co., Ltd.**, Shenzhen (CN)
(72) Inventor: **Xinhua Xu**, Shenzhen (CN)
(73) Assignee: **GUANGDONG BESTEK E-COMMERCE CO., LTD.**, Shenzhen (CN)
(**) Term: **15 Years**
(21) Appl. No.: **29/674,403**
(22) Filed: **Dec. 21, 2018**

D474,552 S * 5/2003 Poon D26/38
D479,889 S * 9/2003 Poon D26/38
D484,626 S * 12/2003 Hanselman D26/38
D485,383 S * 1/2004 Hanselman D26/38
D521,929 S * 5/2006 Xiao D13/116
D567,417 S * 4/2008 Wu D26/37
D586,291 S * 2/2009 Wei D13/102
D593,236 S * 5/2009 Ng D26/37
D609,634 S * 2/2010 Daniels D13/107
D630,581 S * 1/2011 Xu D13/116
D654,469 S * 2/2012 Kawase D14/168
D662,881 S * 7/2012 He D13/116
D670,239 S * 11/2012 Kannou D13/102
D690,738 S * 10/2013 York D14/188
D699,874 S * 2/2014 Chilton D26/37
D710,301 S * 8/2014 Ferro D13/116
D729,728 S * 5/2015 Inskeep D13/107
D736,442 S * 8/2015 Kovacic D26/37
D773,992 S * 12/2016 Krantz D13/110

(Continued)

(30) **Foreign Application Priority Data**
Nov. 28, 2018 (CN) 2018 3 0680420
(51) **LOC (12) Cl.** **13-02**
(52) **U.S. Cl.**
USPC **D13/110**
(58) **Field of Classification Search**
USPC D13/102, 110, 112, 116; D14/137, 168,
D14/188, 189; D24/170, 232, 144, 138,
D24/169; D26/37, 38, 39, 40, 41, 42, 43,
D26/44, 45, 46, 47, 48, 49, 50
CPC A61B 18/1206; A61B 18/1402; A61B
18/1815; H01R 13/641; G05B 15/02
See application file for complete search history.

Primary Examiner — Susan Bennett Hattan
Assistant Examiner — Suzanne E Tisdell

(57) **CLAIM**

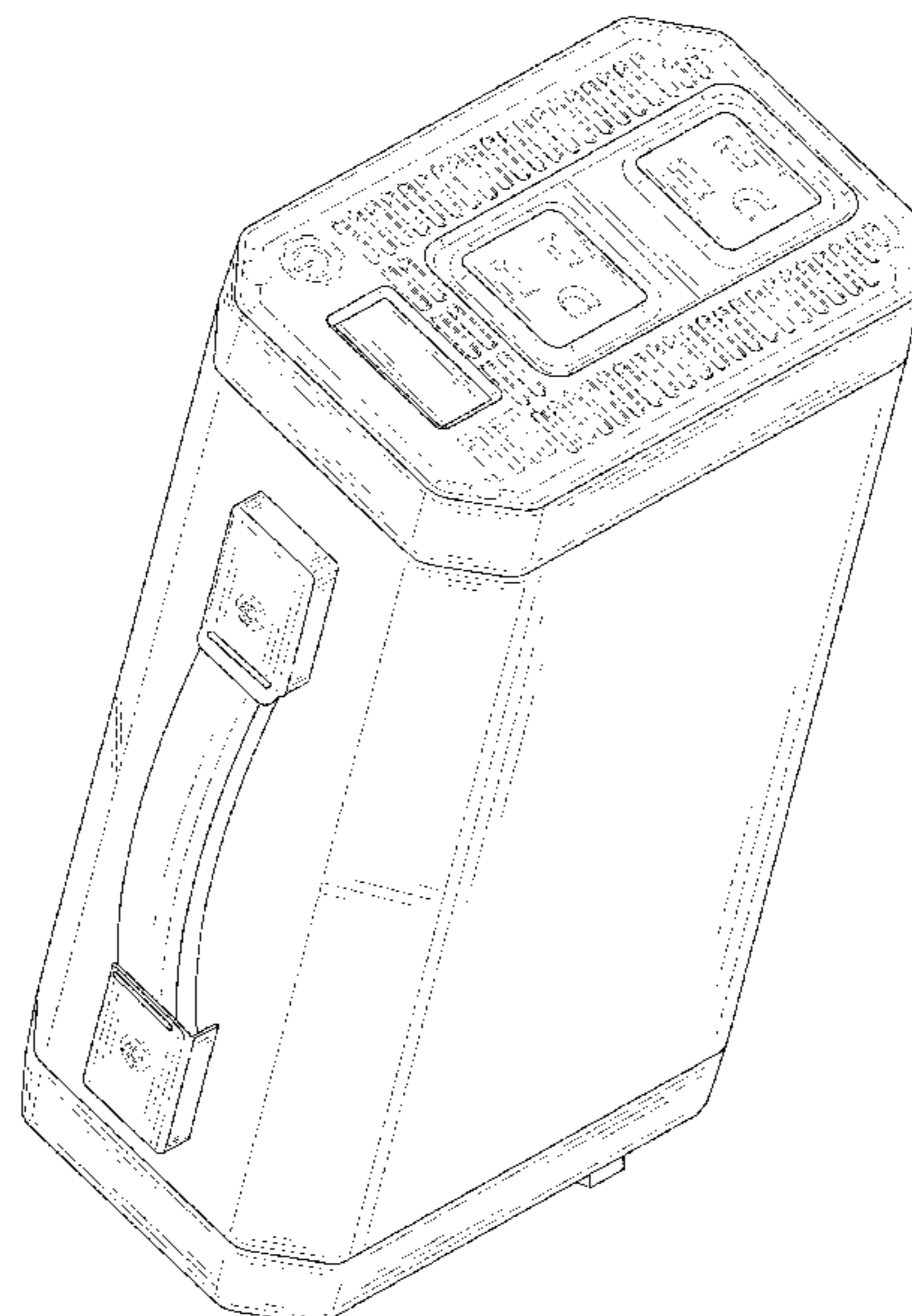
The ornamental design for an inverter, as shown and described.

DESCRIPTION

FIG. 1 is a perspective view of an inverter showing my new design;
FIG. 2 is another perspective view thereof;
FIG. 3 is a front elevational view thereof;
FIG. 4 is a rear elevational view thereof;
FIG. 5 is a left side elevational view thereof;
FIG. 6 is a right side elevational view thereof;
FIG. 7 is a top plan view thereof; and,
FIG. 8 is a bottom plan view thereof.
The broken lines in the drawings are for the purpose of illustrating portions of the inverter that form no part of the claimed design.

(56) **References Cited**
U.S. PATENT DOCUMENTS
4,105,314 A * 8/1978 Hughes, Jr. G03B 23/105
310/75 B
D321,262 S * 10/1991 Yuen D26/38
D354,054 S * 1/1995 Shitama D14/129
D371,356 S * 7/1996 Maruyama D14/129
D425,063 S * 5/2000 Takatsuka D14/168
D472,005 S * 3/2003 Poon D26/38

1 Claim, 8 Drawing Sheets



(56)

References Cited

U.S. PATENT DOCUMENTS

D774,674 S	*	12/2016	Hanwell	D26/50
D815,039 S	*	4/2018	Wen	D13/110
D818,619 S	*	5/2018	Hanwell	D26/37
D821,313 S	*	6/2018	Yang	D13/110
D821,314 S	*	6/2018	Yang	D13/110
D840,334 S	*	2/2019	Concari	D13/110
D851,255 S	*	6/2019	Fluxman	D24/169
D856,930 S	*	8/2019	Huang	D13/116

* cited by examiner

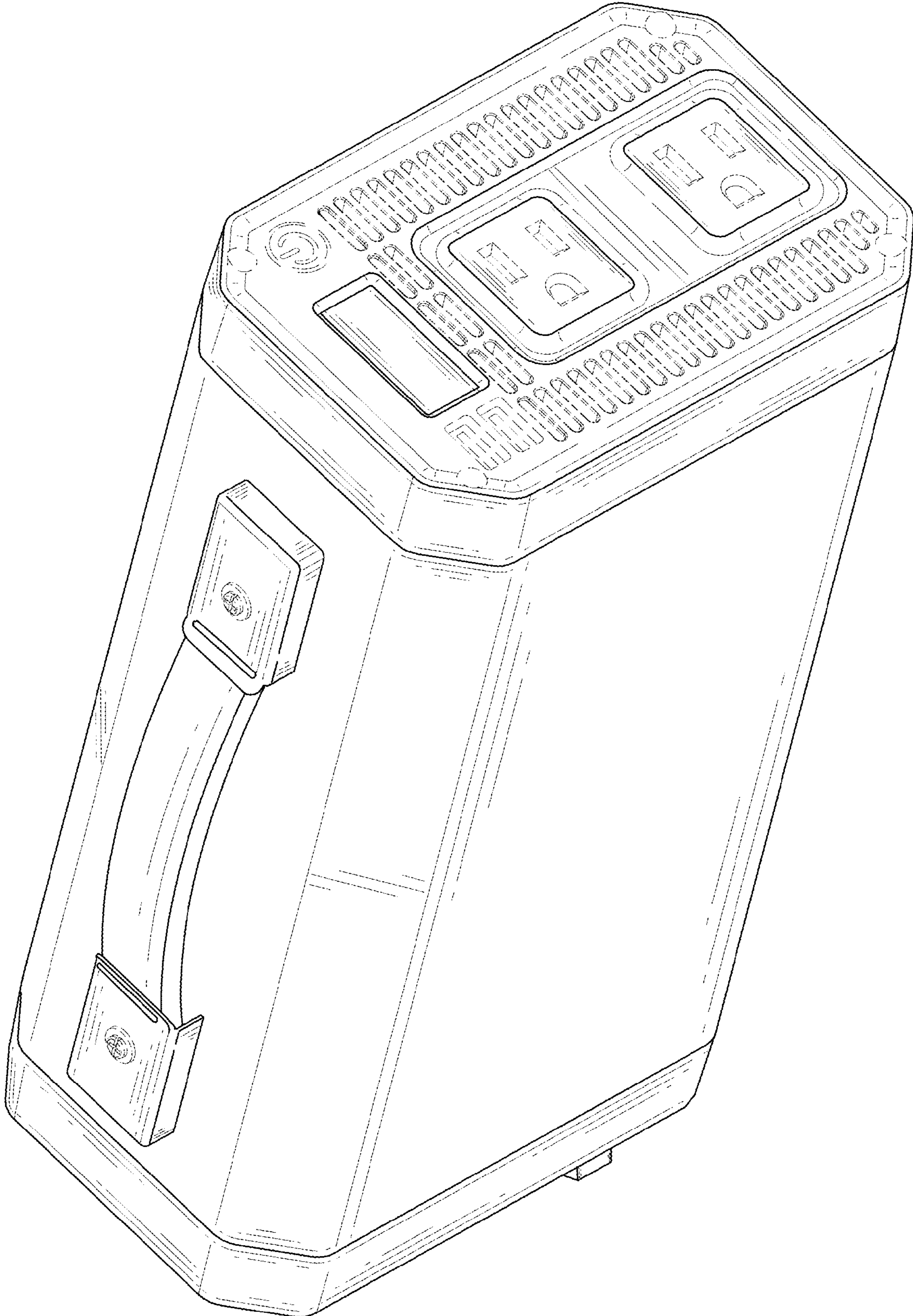


FIG. 1

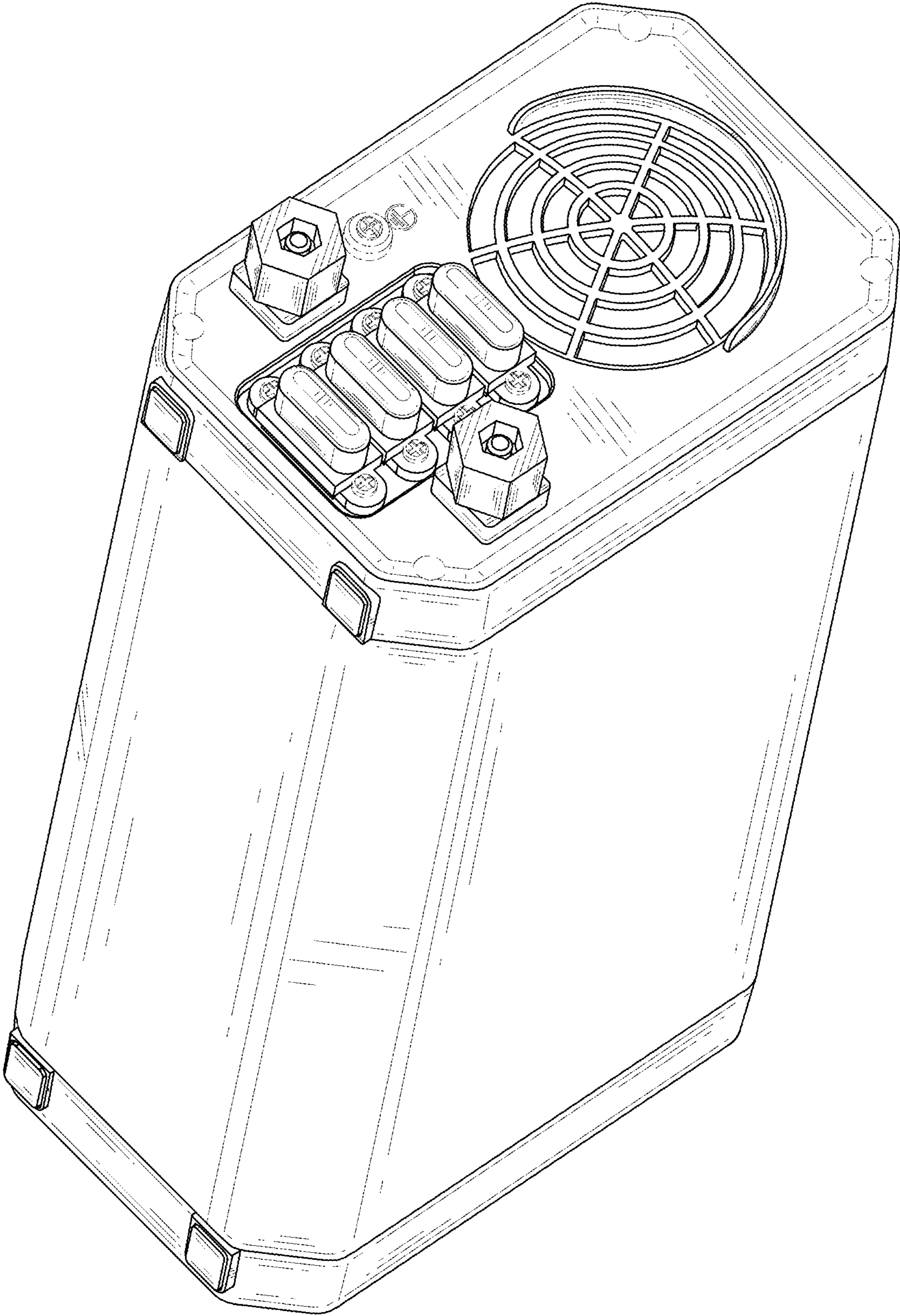


FIG. 2

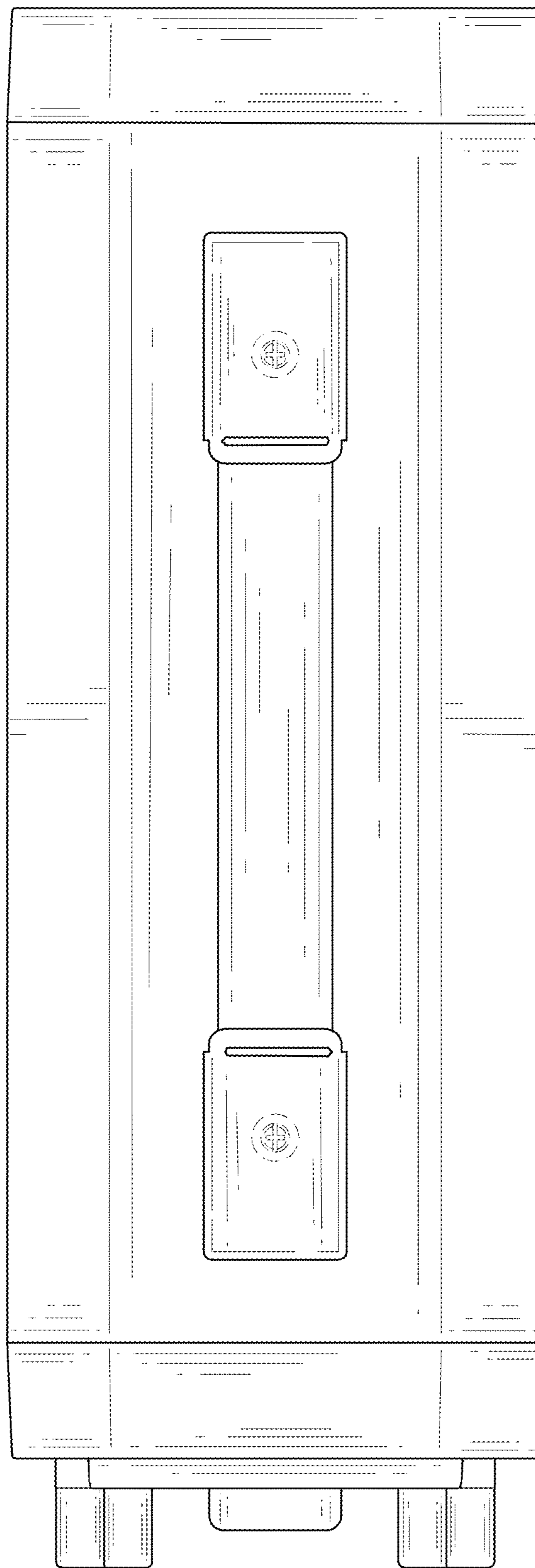


FIG. 3

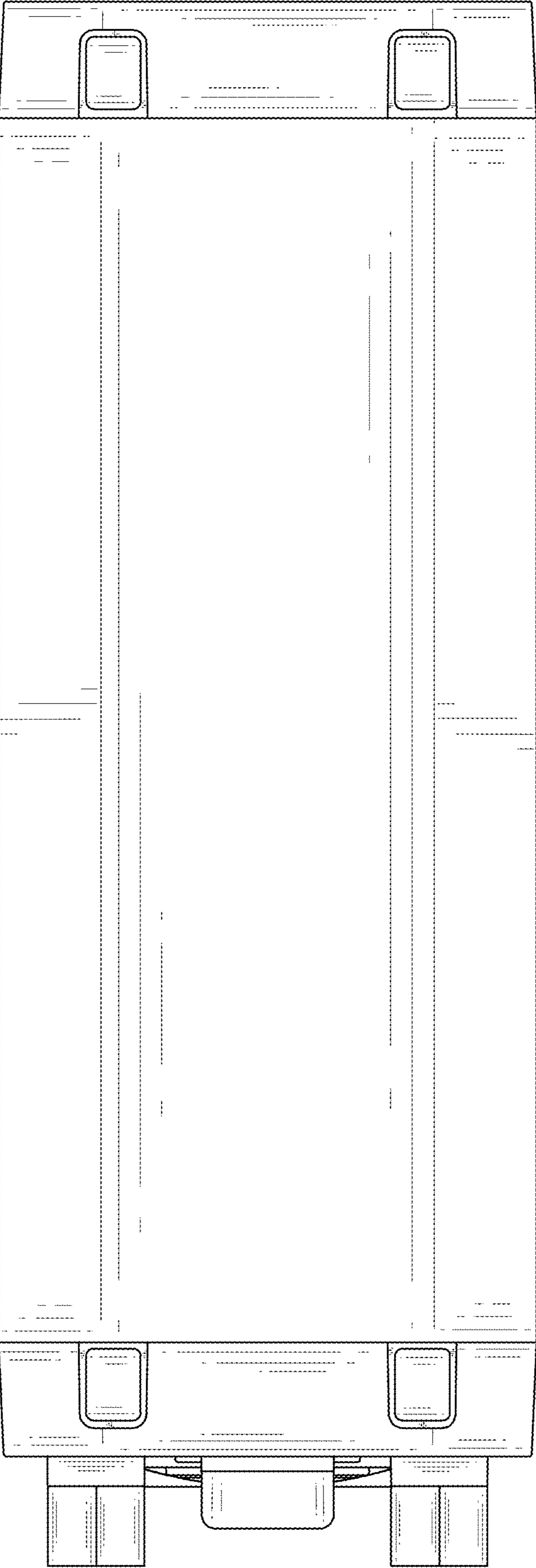


FIG. 4

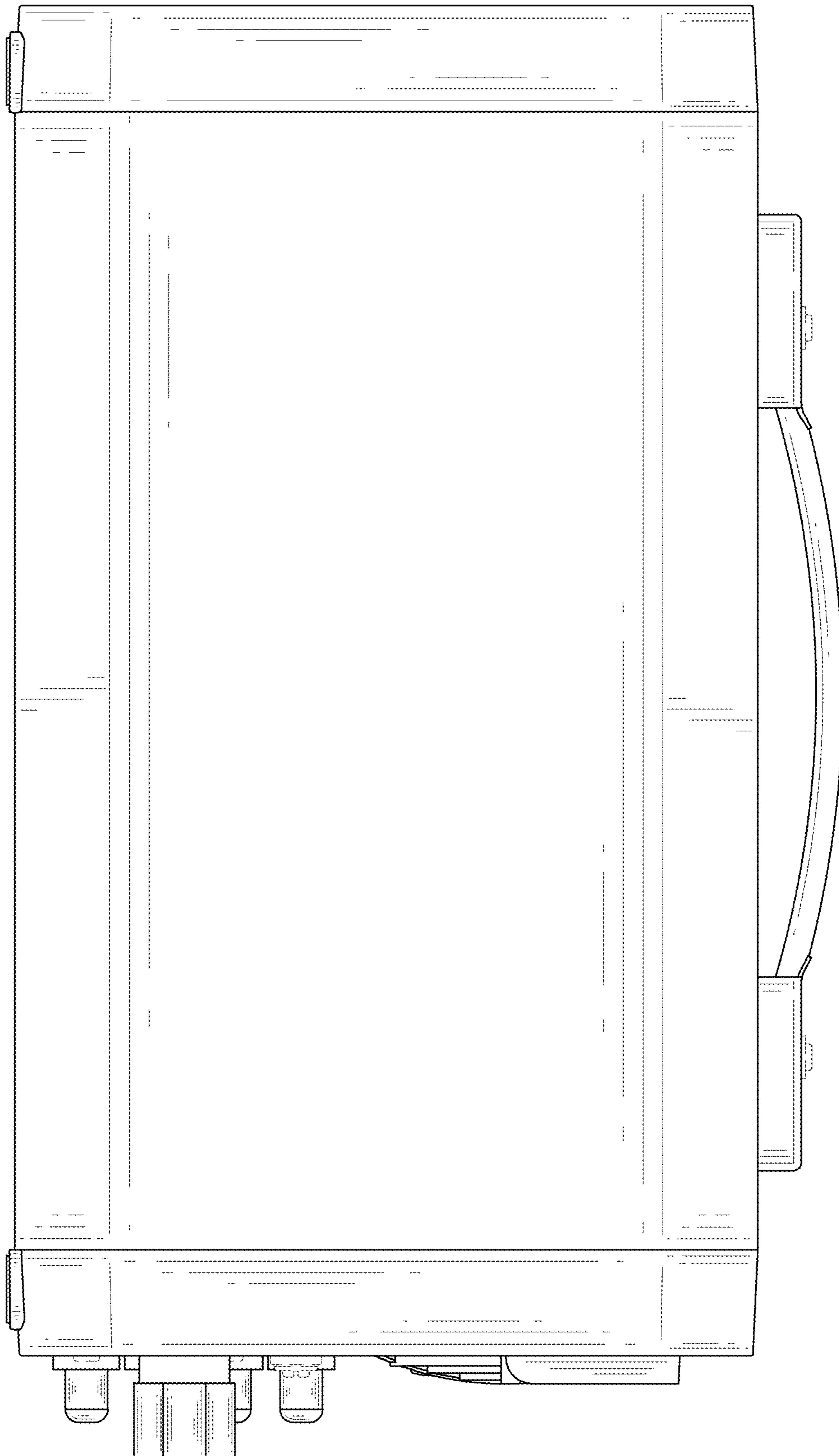


FIG. 5

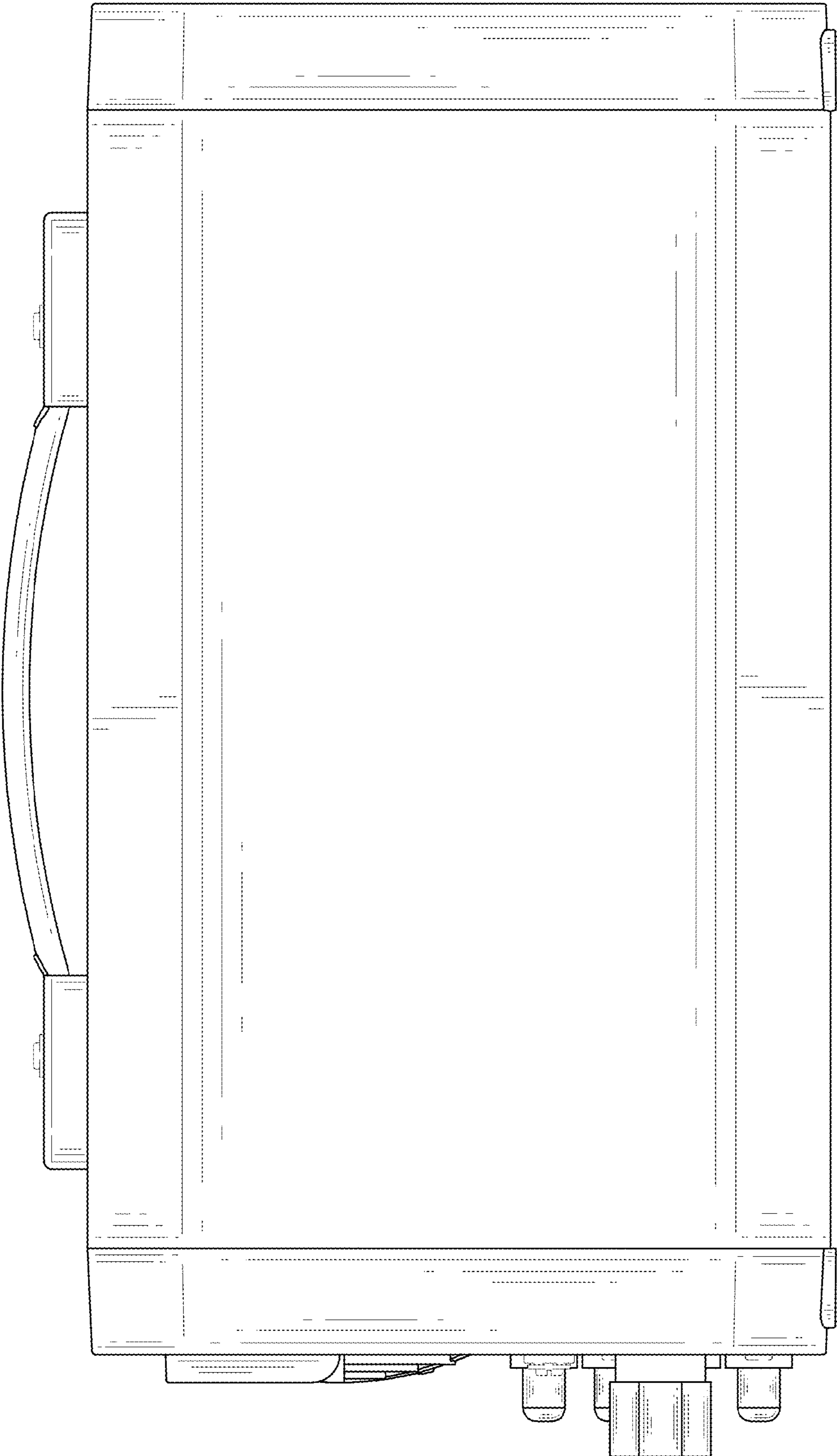


FIG. 6

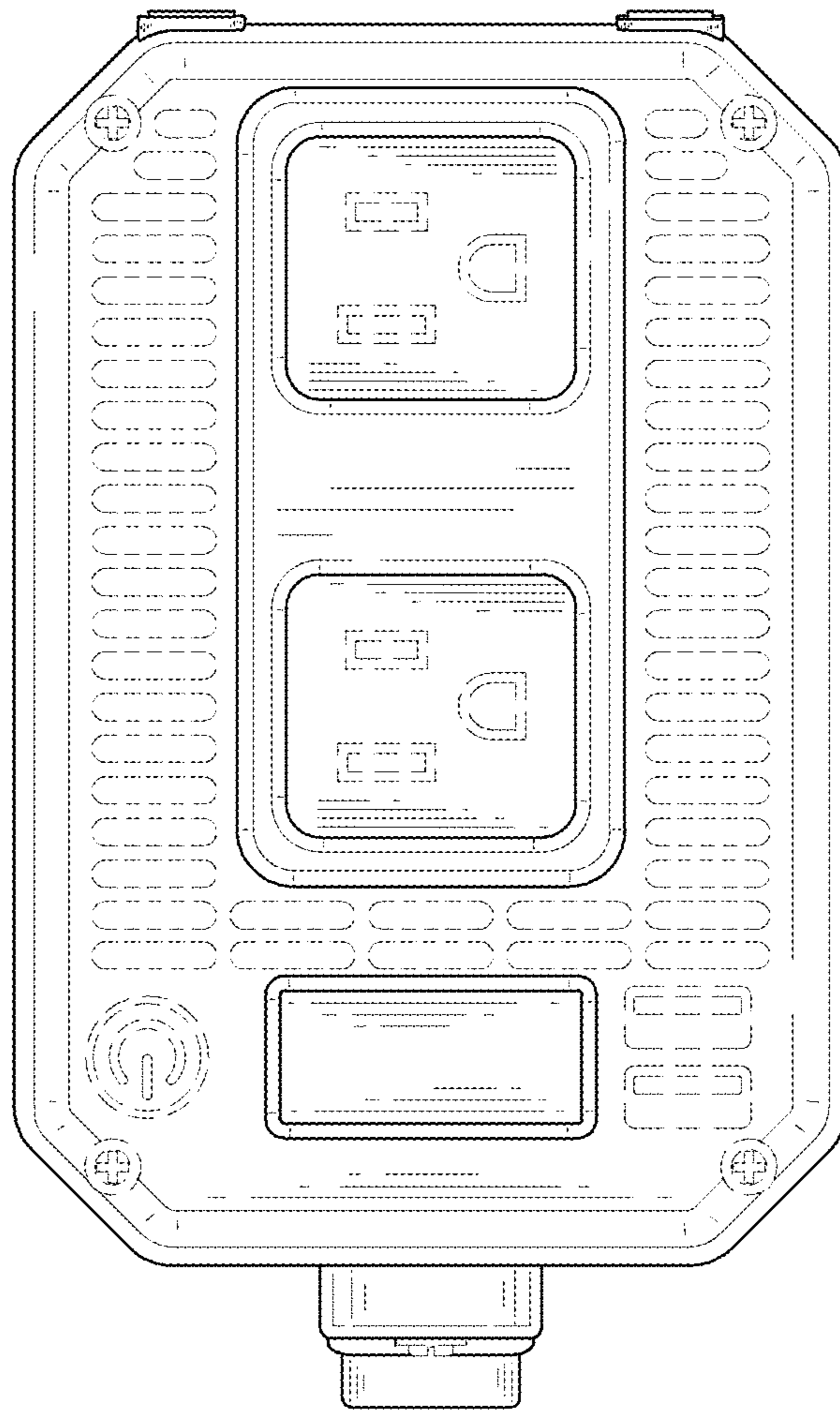


FIG. 7

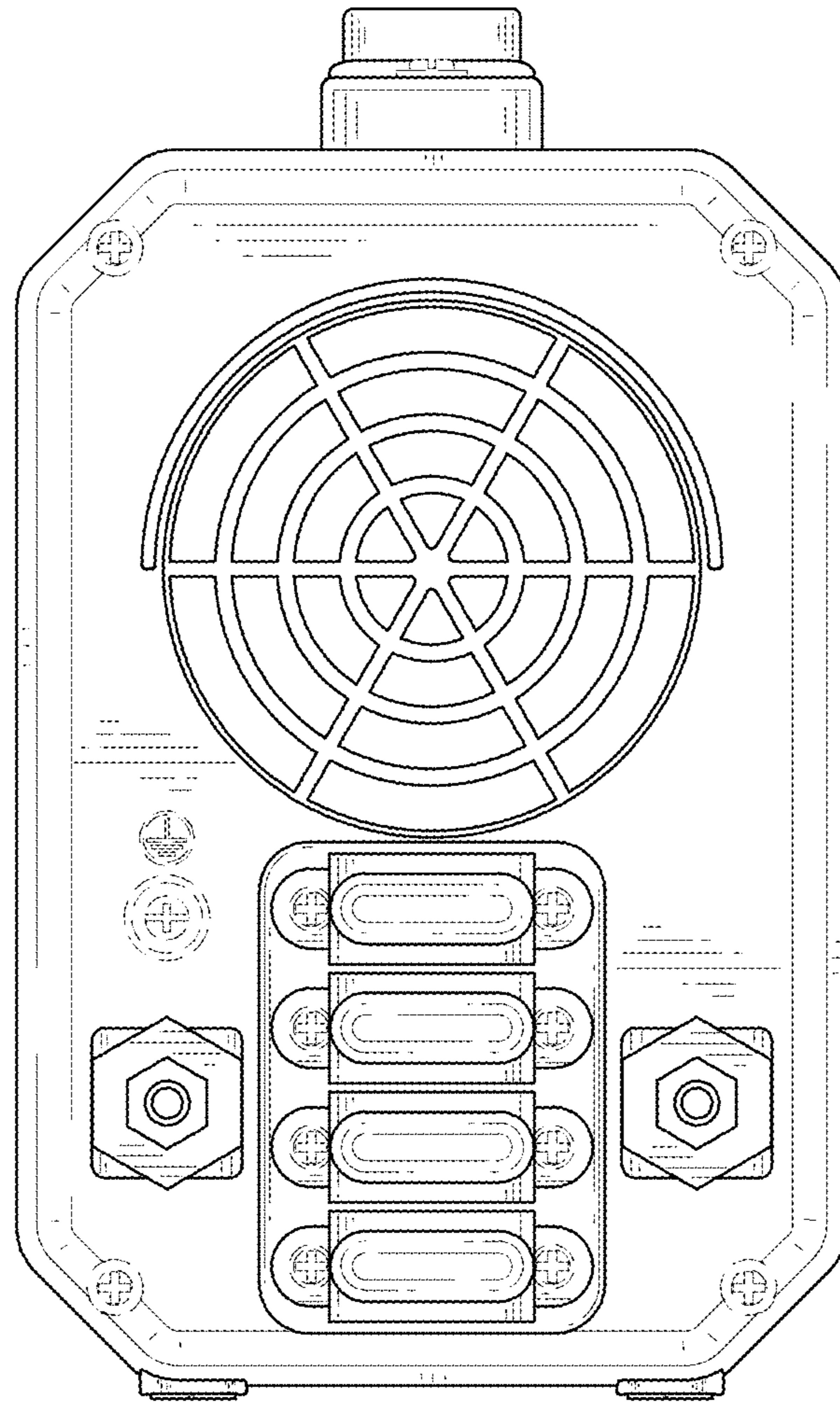


FIG. 8