



US00D870042S

(12) **United States Design Patent** (10) **Patent No.:** **US D870,042 S**  
**Chen** (45) **Date of Patent:** **\*\* Dec. 17, 2019**

(54) **PORTABLE POWER SUPPLY**  
(71) Applicant: **Zhang-Sheng Chen**, Guangdong (CN)  
(72) Inventor: **Zhang-Sheng Chen**, Guangdong (CN)  
(73) Assignee: **Shenzhen Shase Electronics Technology Co., Ltd.**, Guangdong (CN)

(\*\*) Term: **15 Years**

(21) Appl. No.: **29/636,356**

(22) Filed: **Feb. 8, 2018**

(51) **LOC (12) Cl.** ..... **13-02**

(52) **U.S. Cl.**  
USPC ..... **D13/110; D13/109**

(58) **Field of Classification Search**  
USPC ..... D13/103–110, 118–119, 112–116  
CPC ..... H02J 7/0042; H02J 7/0045; H02J 7/0054;  
H02J 7/0044; H02J 2007/0062  
See application file for complete search history.

(56) **References Cited**

**U.S. PATENT DOCUMENTS**

D354,729 S \* 1/1995 Poon ..... D13/106  
D377,335 S \* 1/1997 Katooka ..... D13/110  
D403,660 S \* 1/1999 Poon ..... D13/106  
D668,221 S \* 10/2012 McKune ..... D13/110

D711,319 S \* 8/2014 Wilcox ..... D13/116  
D764,403 S \* 8/2016 Azuma ..... D13/103  
D785,567 S \* 5/2017 Abena ..... D13/119  
D808,336 S \* 1/2018 Chien ..... D13/110  
D813,161 S \* 3/2018 Ortakales ..... D13/110  
D837,149 S \* 1/2019 Yin ..... D13/108  
2001/0043052 A1 \* 11/2001 Griffey ..... H02J 7/0042  
320/114  
2016/0153626 A1 \* 6/2016 Ozaka ..... H02J 7/0042  
362/86  
2017/0093203 A1 \* 3/2017 Curescu ..... H02J 7/0042  
2017/0126037 A1 \* 5/2017 Shin ..... H02J 7/0042

\* cited by examiner

*Primary Examiner* — Brett Miller

(57) **CLAIM**

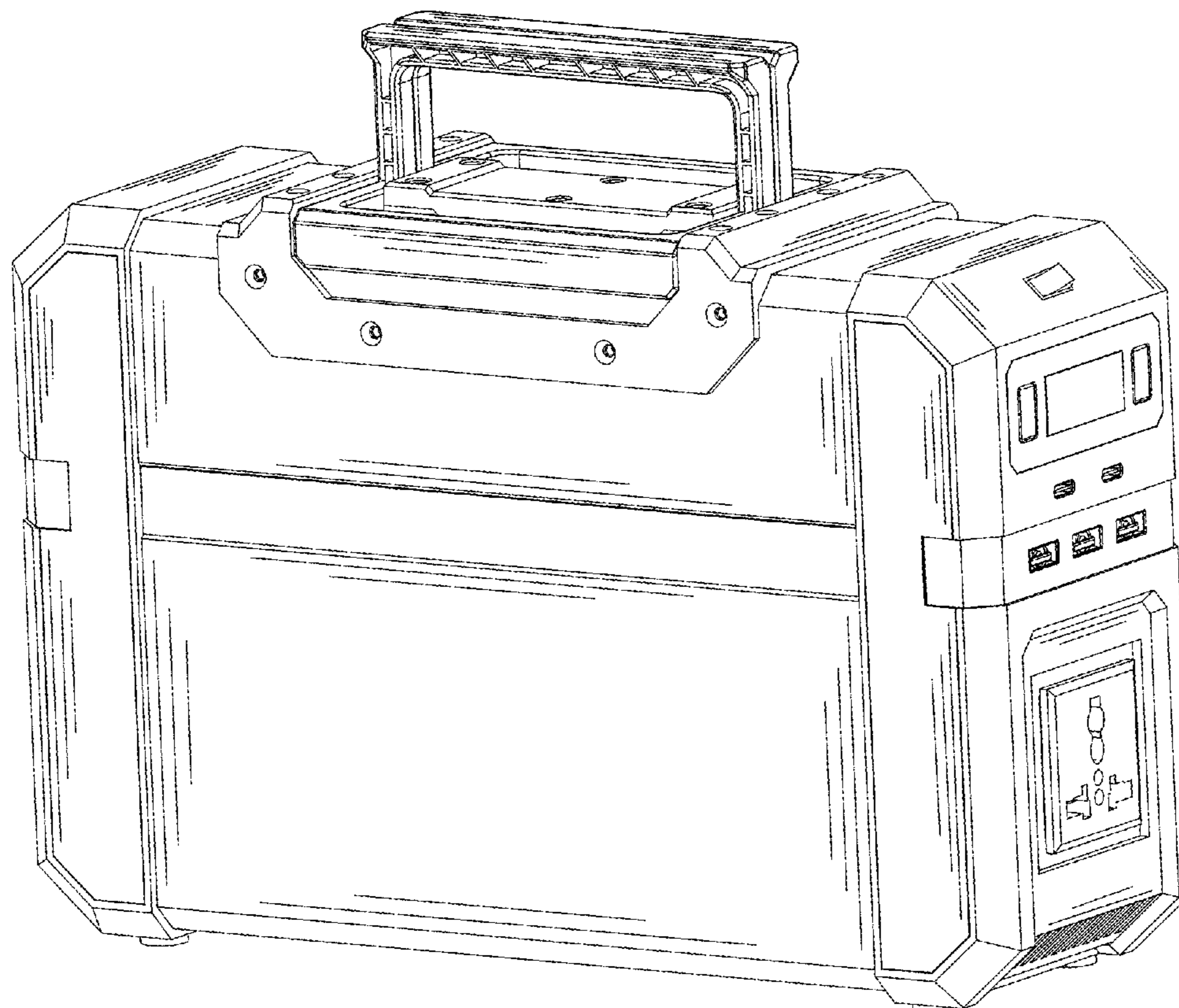
I claim the ornamental design for a portable power supply, as shown and described.

**DESCRIPTION**

FIG. 1 is a perspective view of a portable power supply showing my new design;  
FIG. 2 is a front elevational view thereof;  
FIG. 3 is a top plan view thereof;  
FIG. 4 is a left side elevational view thereof;  
FIG. 5 is a rear elevational view thereof;  
FIG. 6 is a right side view thereof; and,  
FIG. 7 is a bottom plan view thereof.

The broken lines depict portions of the portable power supply that form no part of the claimed design.

**1 Claim, 7 Drawing Sheets**



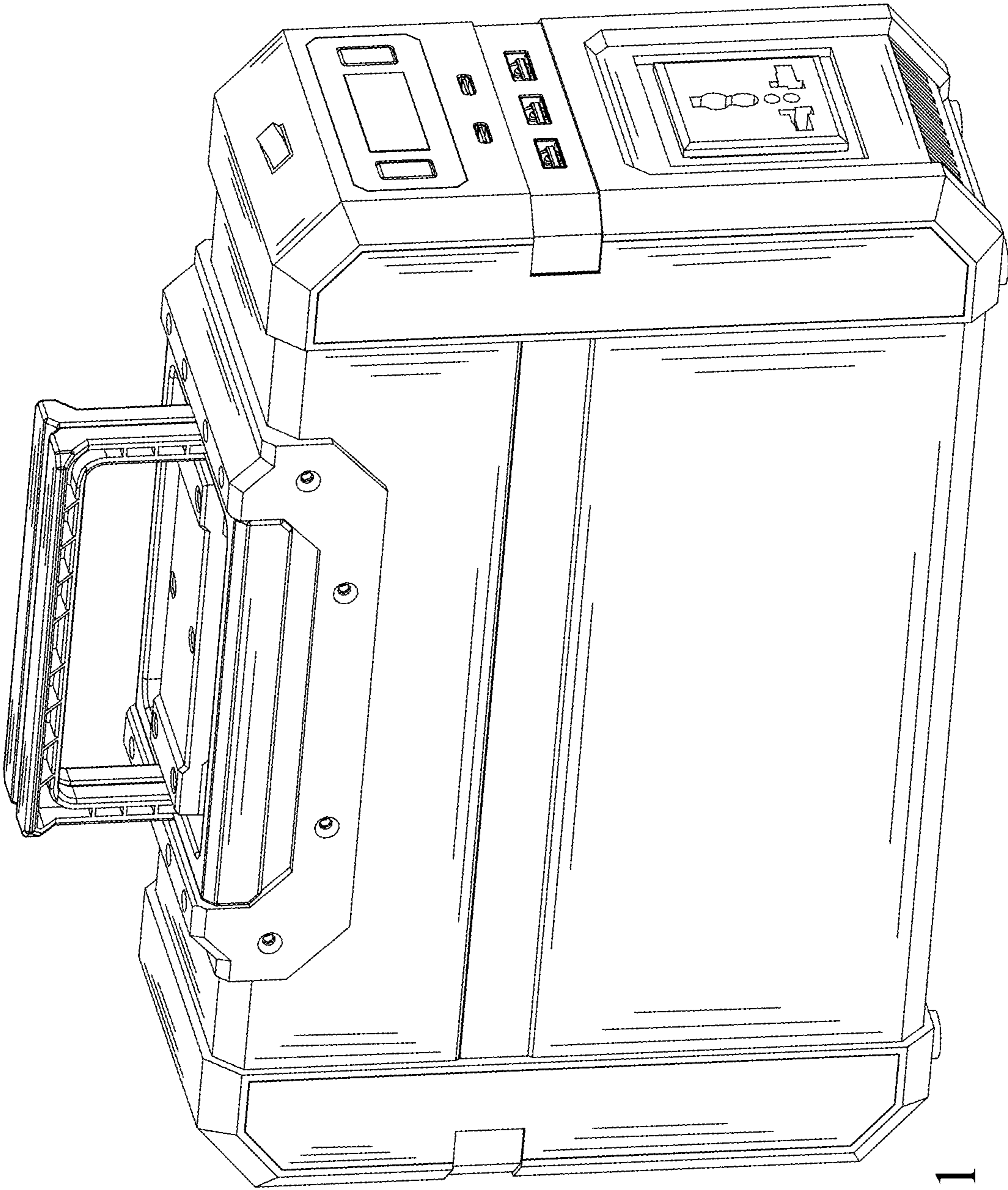


FIG. 1

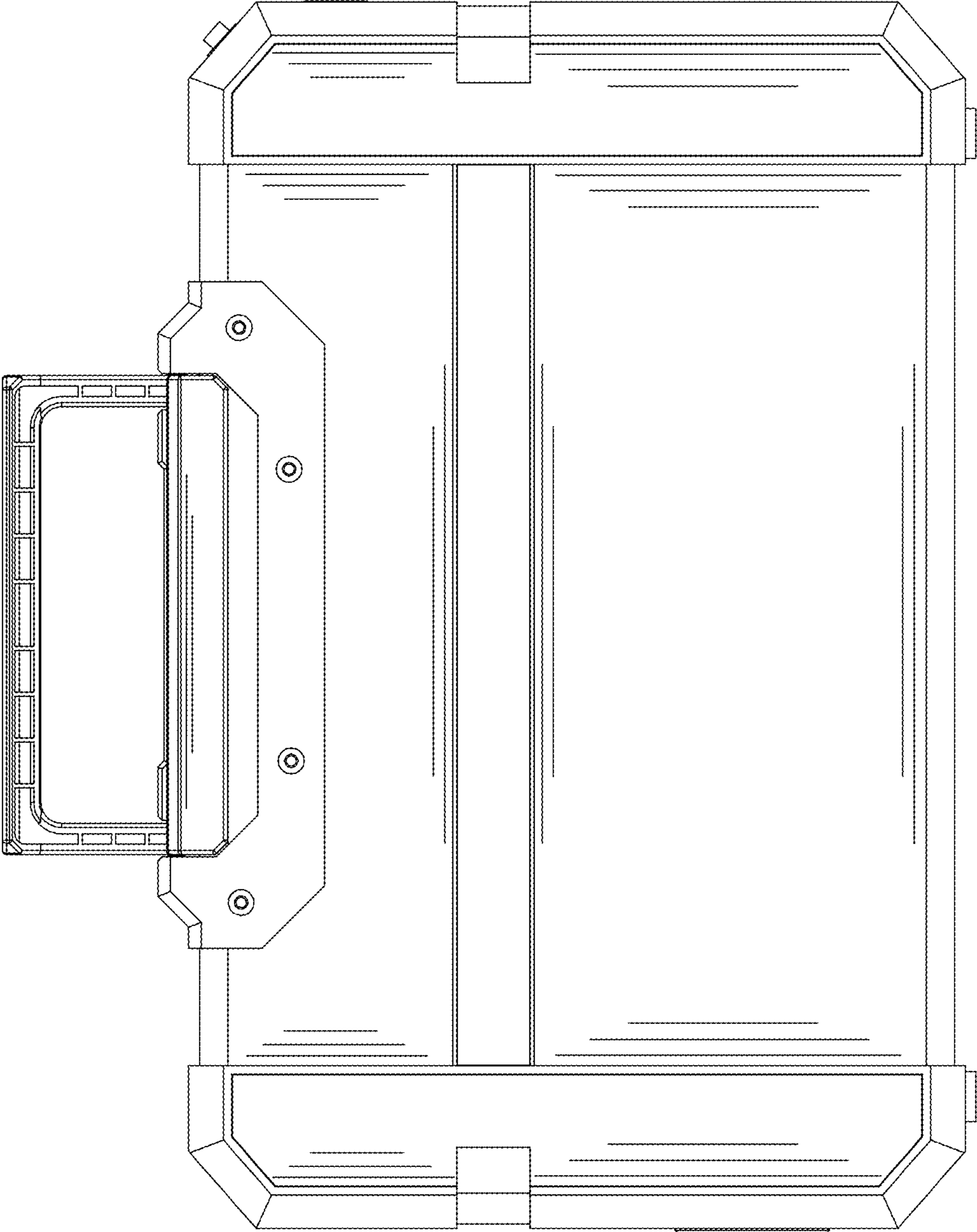


FIG. 2

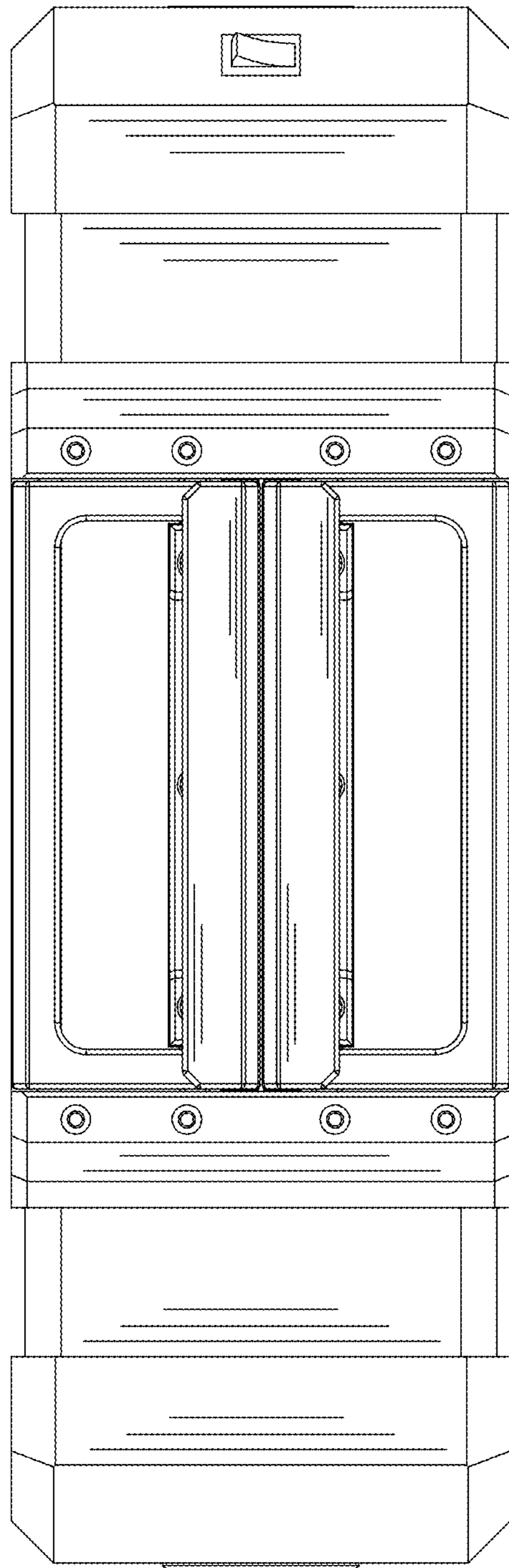


FIG. 3

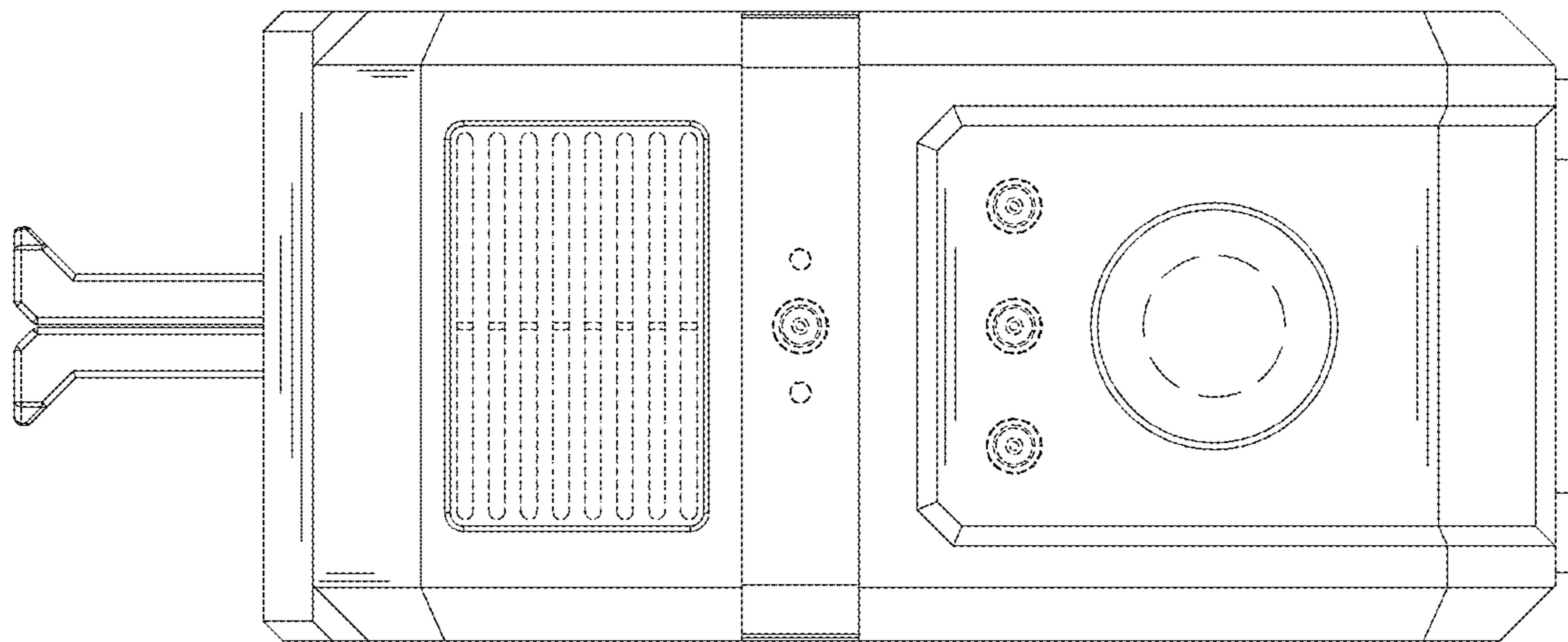


FIG. 4

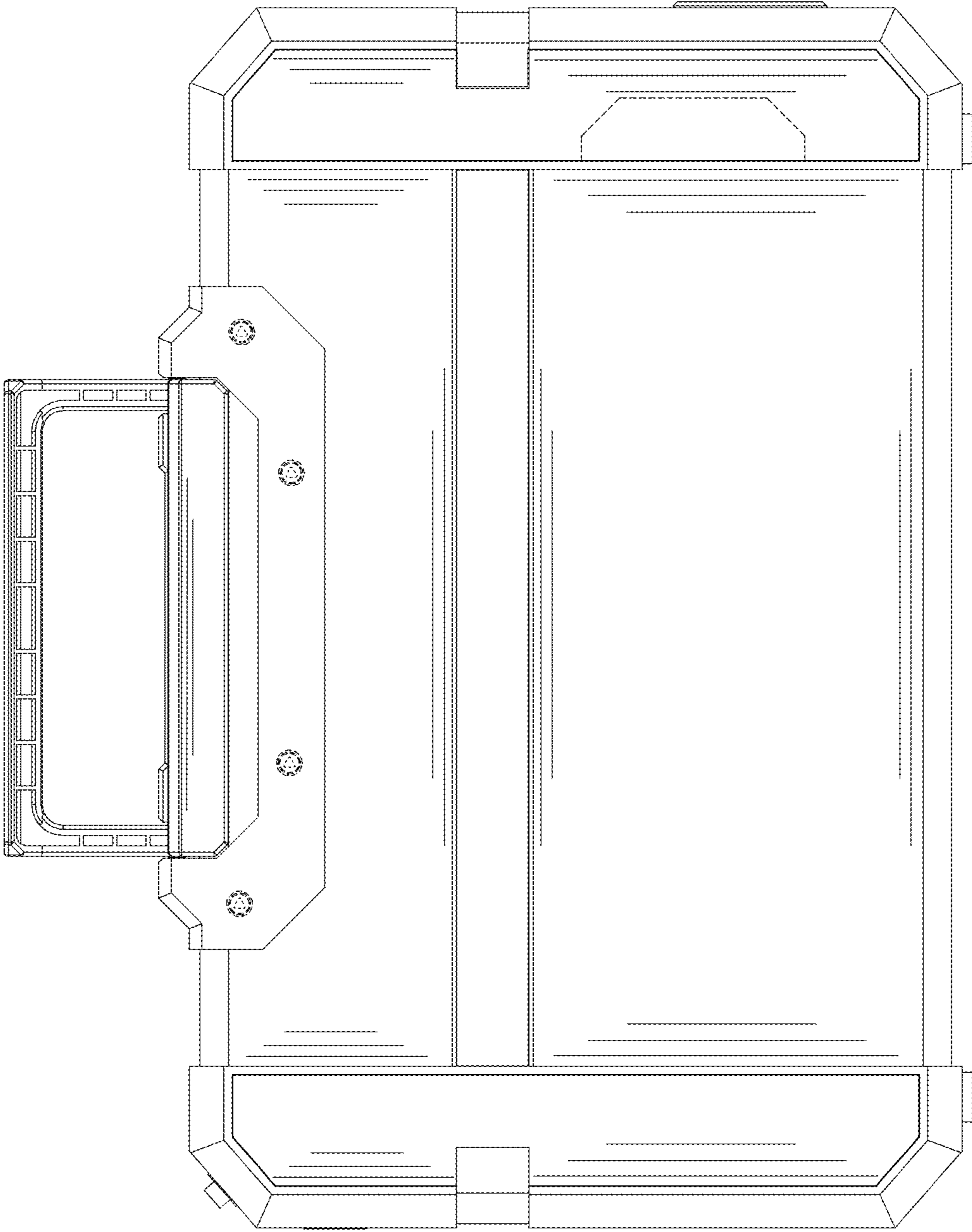


FIG. 5

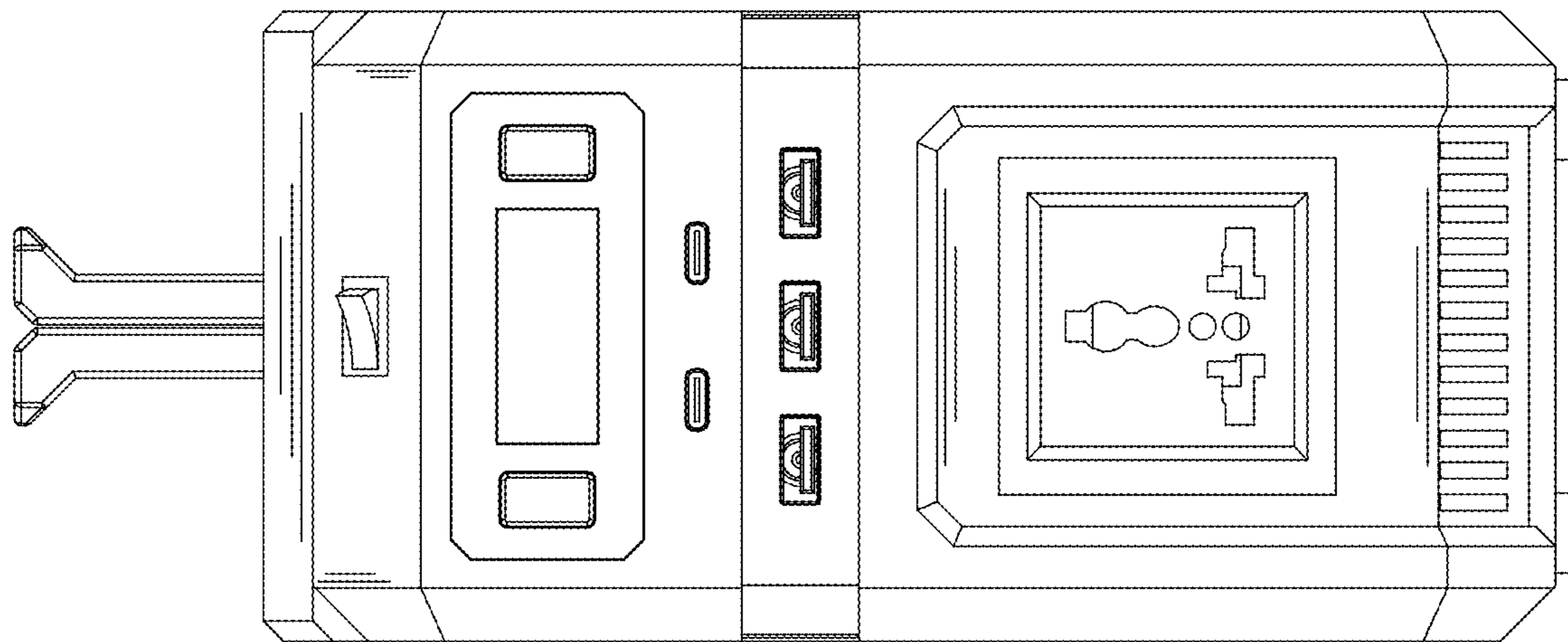


FIG. 6

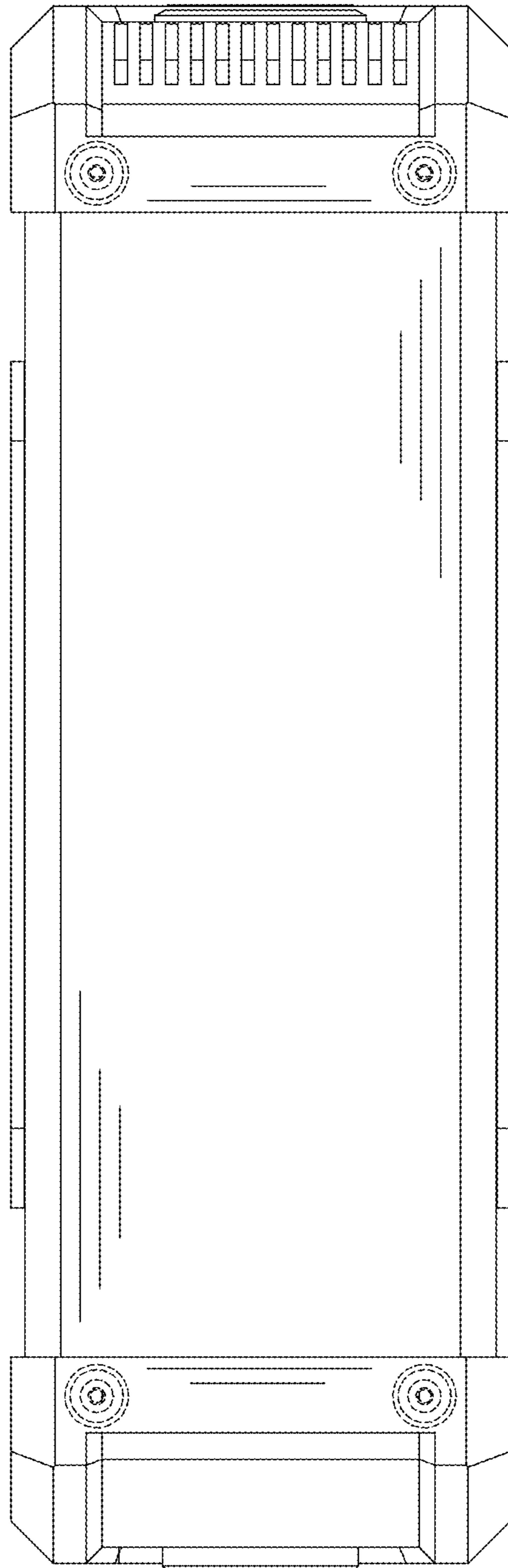


FIG. 7