



US00D870041S

(12) **United States Design Patent**
Choi et al.

(10) **Patent No.:** **US D870,041 S**
(45) **Date of Patent:** **** Dec. 17, 2019**

(54) **CHARGER FOR ELECTRONIC DEVICE**

FOREIGN PATENT DOCUMENTS

(71) Applicant: **Samsung Electronics Co., Ltd.**,
Suwon-si (KR)

CN 201630417597 1/2017
KR 30-2013-0047453 2/2014

(Continued)

(72) Inventors: **Eunha Choi**, Seoul (KR); **Namkyu Kim**, Seoul (KR); **Yongseok Bang**,
Yongin-si (KR)

OTHER PUBLICATIONS

(73) Assignee: **Samsung Electronics Co., Ltd.**,
Suwon-si (KR)

“2 in 1 10W Phone Qi Wireless Charger For Apple Watch iWatch Series 2 3/iPhone X/8 /8Plus/ Samsung Galaxy S8 Plus /S9 Plus /Fast Charging Pad for Qi Enabled Devices” [2018] www.cafago.com Aug. 16, 2018 <<https://www.cafago.com/en/p-pai0036.html>>.

(Continued)

(**) Term: **15 Years**

(21) Appl. No.: **29/660,886**

Primary Examiner — Rosemary K Tarcza
(74) *Attorney, Agent, or Firm* — NSIP Law

(22) Filed: **Aug. 23, 2018**

(57) **CLAIM**

(30) **Foreign Application Priority Data**

We claim the ornamental design for a charger for electronic device, as shown and described.

Jun. 20, 2018 (KR) 30-2018-0028506

DESCRIPTION

(51) **LOC (12) Cl.** **13-02**

(52) **U.S. Cl.**
USPC **D13/108**

(58) **Field of Classification Search**
USPC D13/107–110, 118–119, 184; D14/251,
D14/253, 432, 434
CPC Y02E 60/12; Y02T 90/14; Y02T 90/122;
Y02T 90/128; Y02T 90/163; H02J 7/025;
H02J 7/0042; H02J 7/0044; H02J 7/0045;
H02J 7/0003; H01F 38/14; H01R
13/6675; H01M 2/1022; H01M 2/1055;
H01M 10/44;

(Continued)

FIG. 1 is a front perspective view of a charger for electronic device showing our new design;
FIG. 2 is a front view thereof;
FIG. 3 is a rear view thereof;
FIG. 4 is a left-side view thereof;
FIG. 5 is a right-side view thereof;
FIG. 6 is a top view thereof;
FIG. 7 is a bottom view thereof;
FIG. 8 is a rear perspective view thereof;
FIG. 9 is a cross-sectional view taken along line 9-9 of FIG. 2; and,

FIG. 10 is a top view of the charger for electronic device in which the electronic devices are provided in broken lines to illustrate an example environment.

The broken lines in FIGS. 2-5 and 7-9 depict portions of the charger for electronic device which form no part of the claimed design. The broken lines shown in FIG. 10 are for the purpose of illustrating environmental structure and form no part of the claimed design.

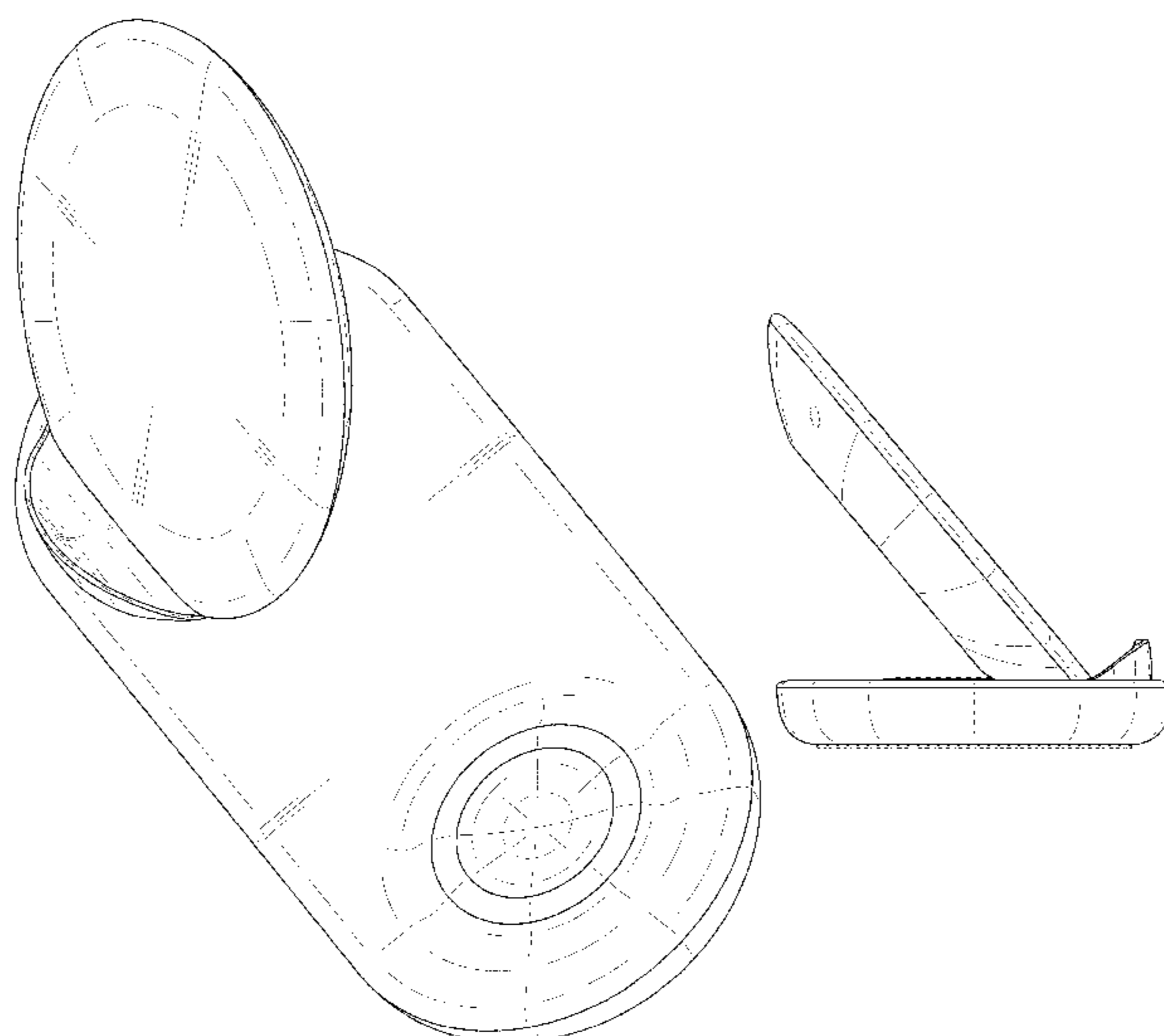
(56) **References Cited**

U.S. PATENT DOCUMENTS

D489,322 S * 5/2004 Sawai D13/108
D701,831 S * 4/2014 Park D13/108

(Continued)

1 Claim, 10 Drawing Sheets



(58) **Field of Classification Search**

CPC ... H01M 10/46; H01M 10/425; B60L 11/182
See application file for complete search history.

FOREIGN PATENT DOCUMENTS

WO	DM 077 243	4/2012
WO	DM 080 046	5/2013

(56) **References Cited**

U.S. PATENT DOCUMENTS

D736,706 S	8/2015	Huang et al.	
D777,103 S *	1/2017	Park	D13/108
D797,667 S *	9/2017	Park	D13/108
D797,668 S *	9/2017	Park	D13/108
D841,577 S *	2/2019	Kim	D13/108
D841,578 S *	2/2019	Kim	D13/108
D844,009 S *	3/2019	Kim	D14/434
D851,036 S *	6/2019	Saangloef	D13/108
D851,587 S *	6/2019	Schmidt	D13/108
D853,326 S *	7/2019	Jun	D13/108
D857,626 S *	8/2019	Zhang	D13/108

OTHER PUBLICATIONS

Pariguana, Alex "LXORY Dual Qi: cargador inalambrico con conectores USB-C y Lightning" [2018] [www.iosmac.es](http://iosmac.es) Jan. 14, 2018 <<http://iosmac.es/lxory-lanza-su-cargador-inalambrico-dual-qi-con-conectores-usb-c-y-lightning.html>>.

Painter, Lewis "Apple AirPower release date, price & specs" [2018] www.macworld.co.uk Jun. 22, 2018 <<https://www.macworld.co.uk/news/apple/airpower-release-3664127/>>.

"Red Dot Award: Design Concept"[2018] www.red-dot.sg Aug. 17, 2018 <<http://www.red-dot.sg/en/modu-ecosystem/>>.

[2017] [www.blog.naver.com](https://blog.naver.com/gilelectron/220952337879) Mar. 7, 2017 <<https://blog.naver.com/gilelectron/220952337879>>.

* cited by examiner

FIG. 1

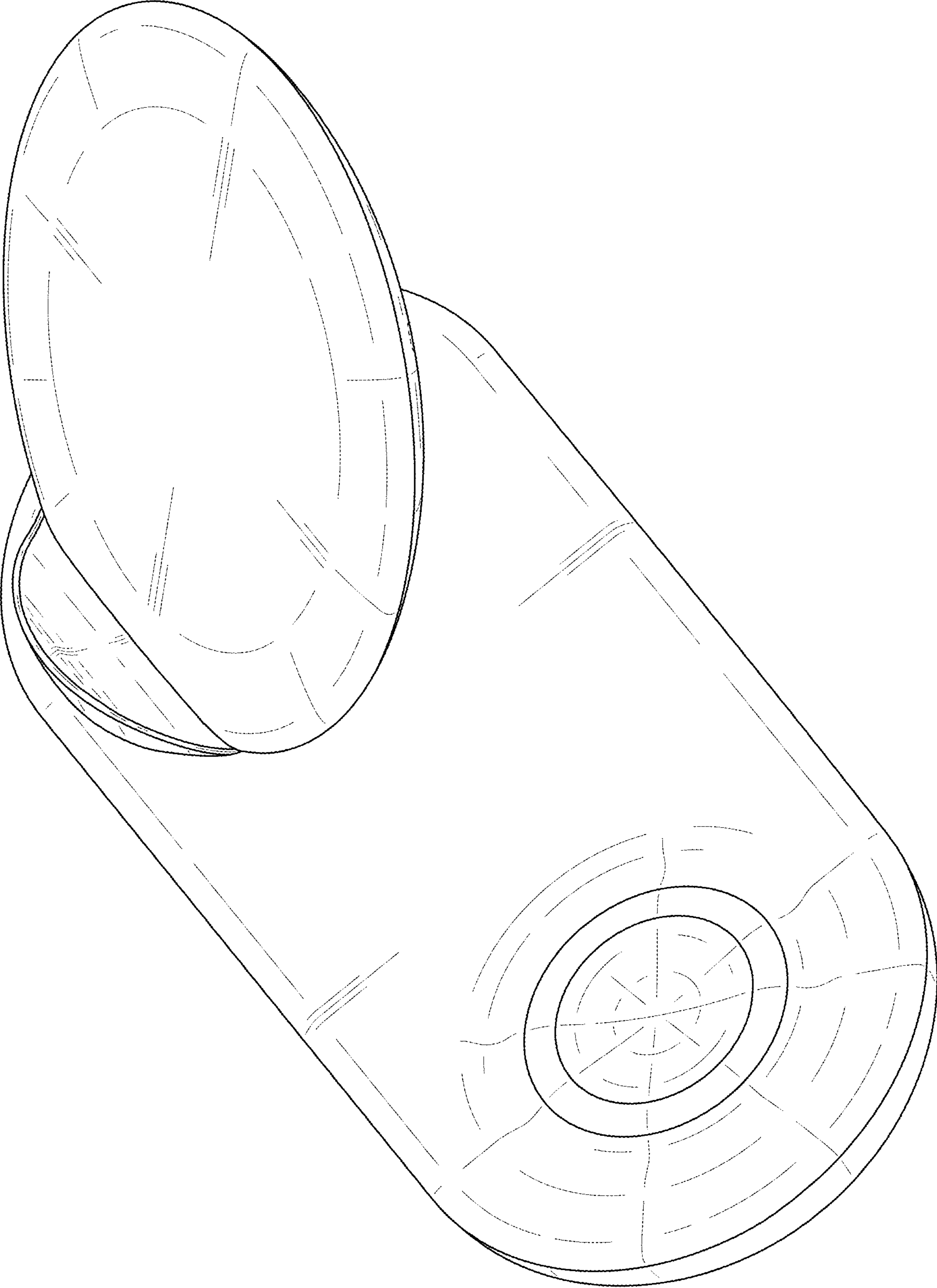


FIG. 2

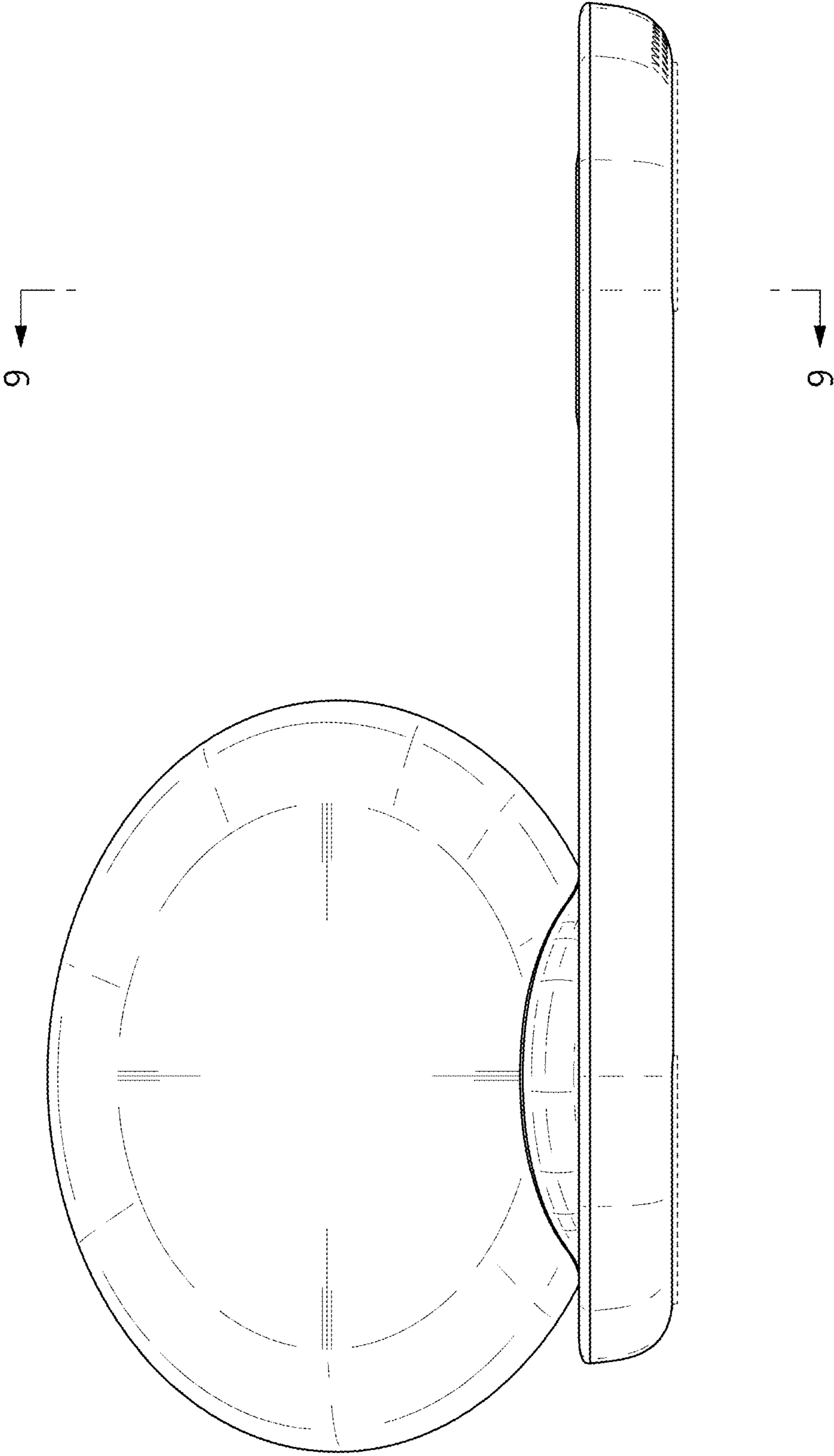


FIG. 3

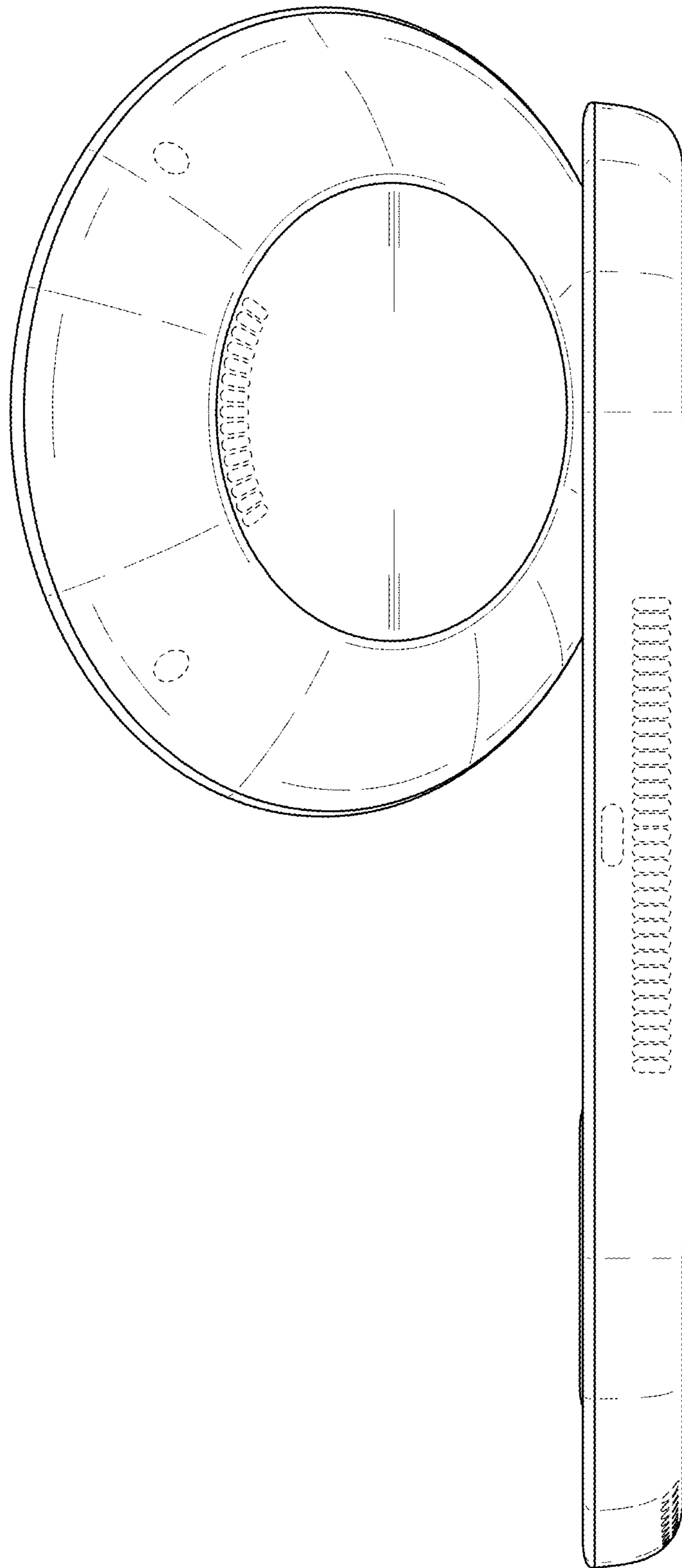


FIG. 4

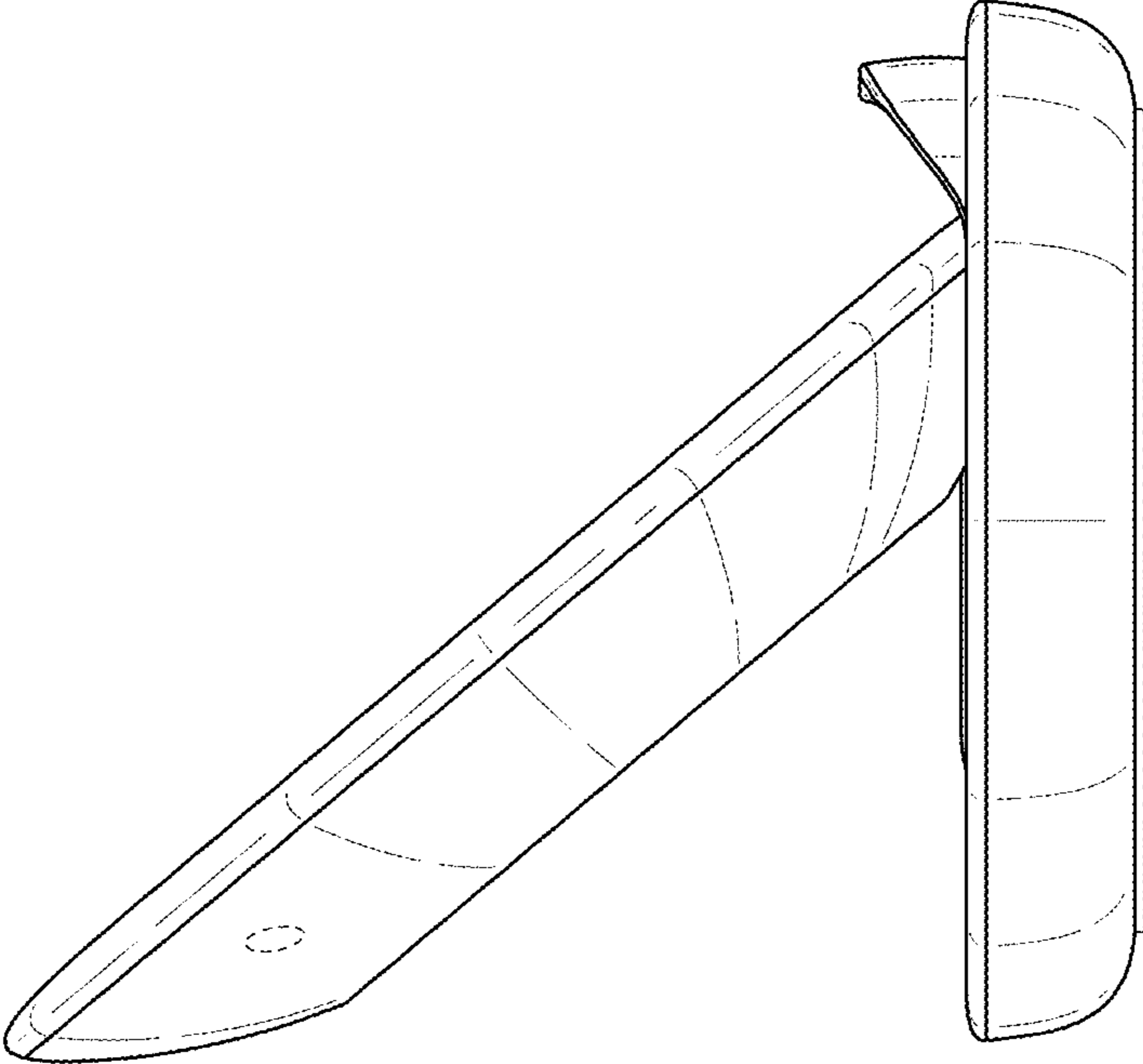


FIG. 5

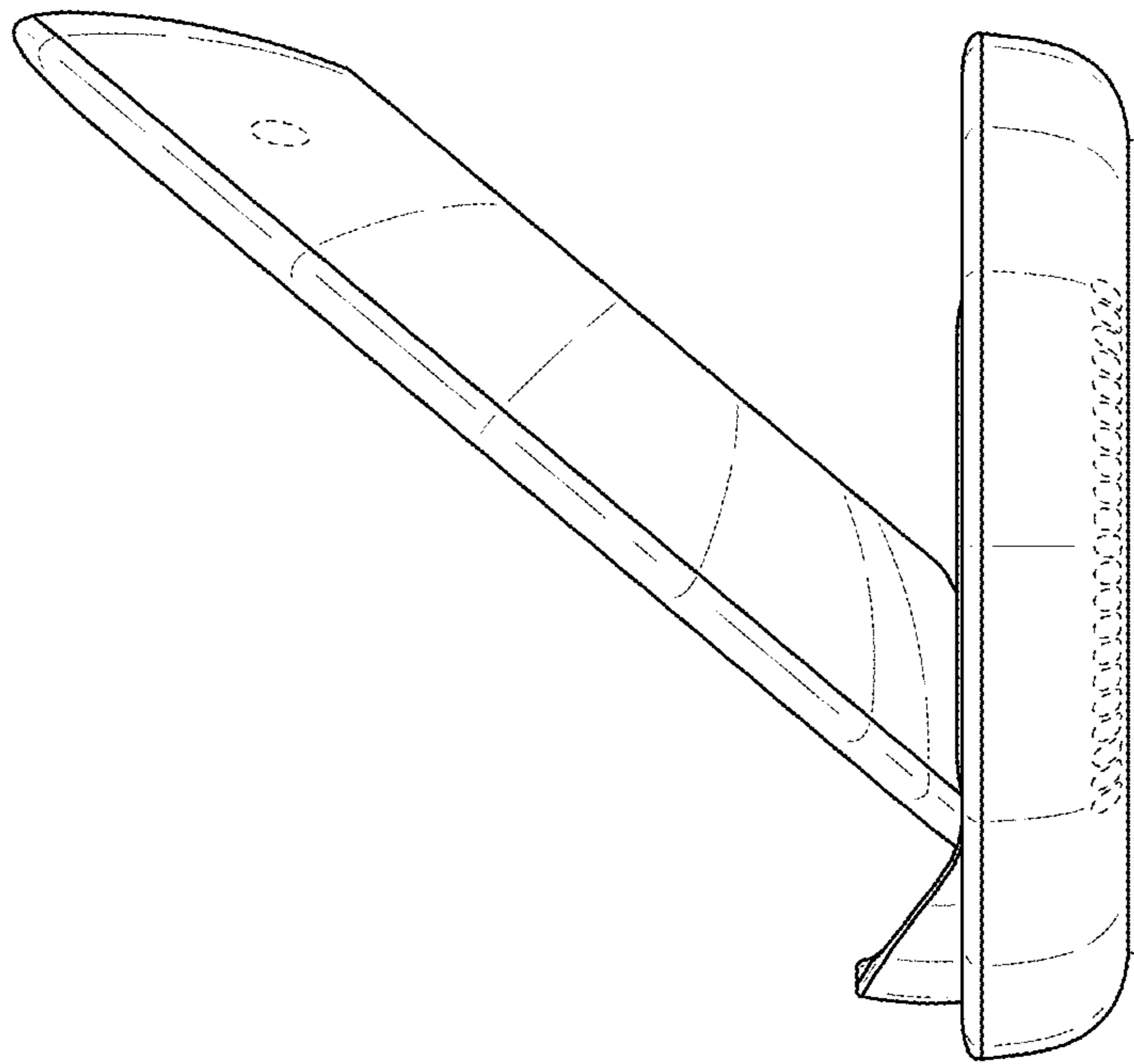


FIG. 6

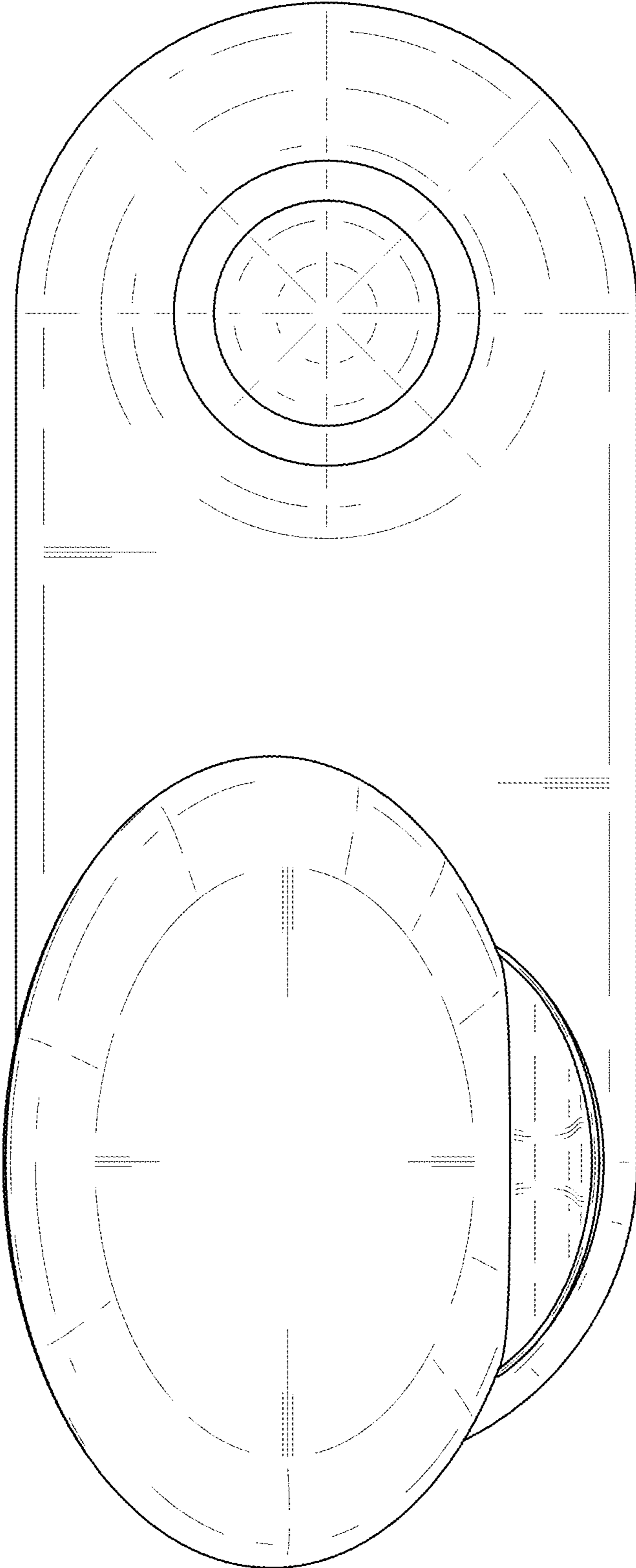


FIG. 7

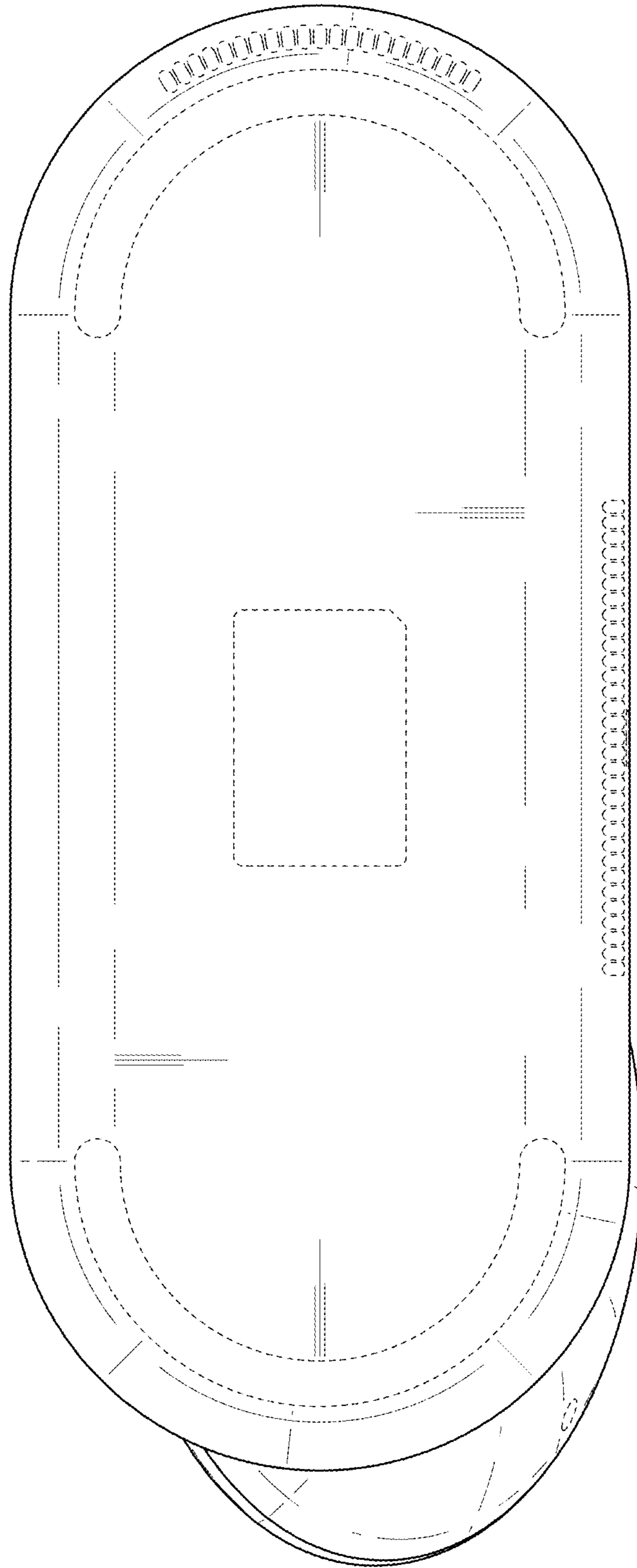


FIG. 8

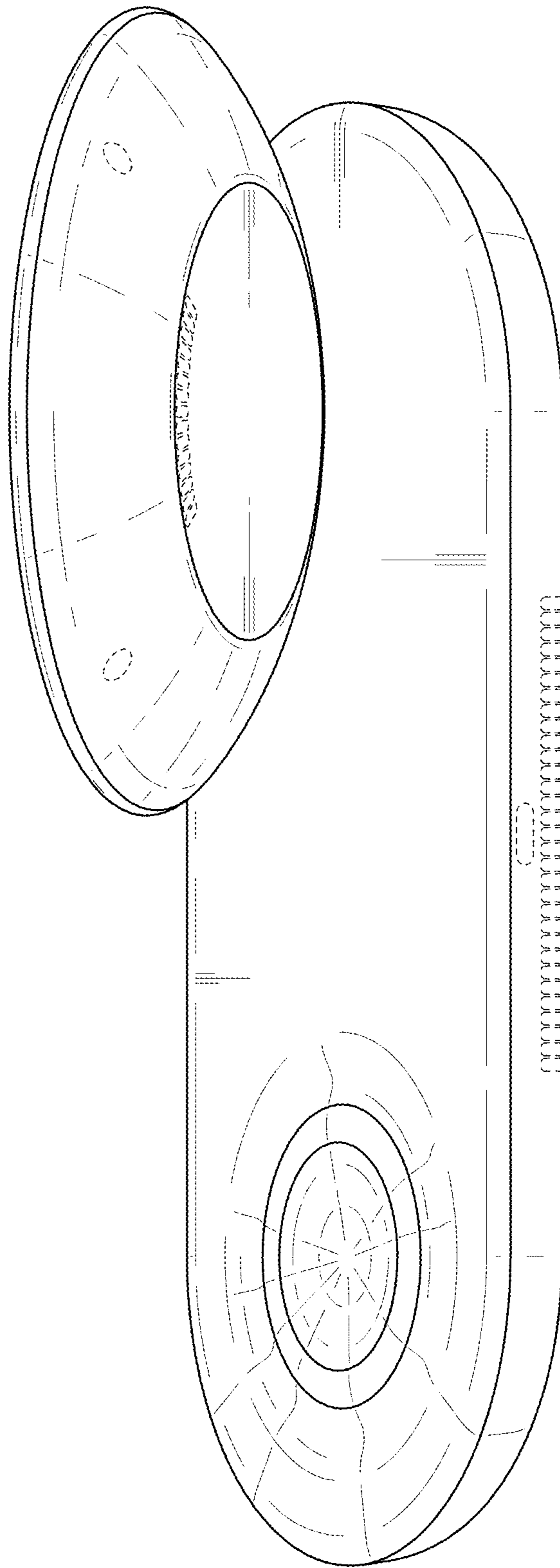


FIG. 9

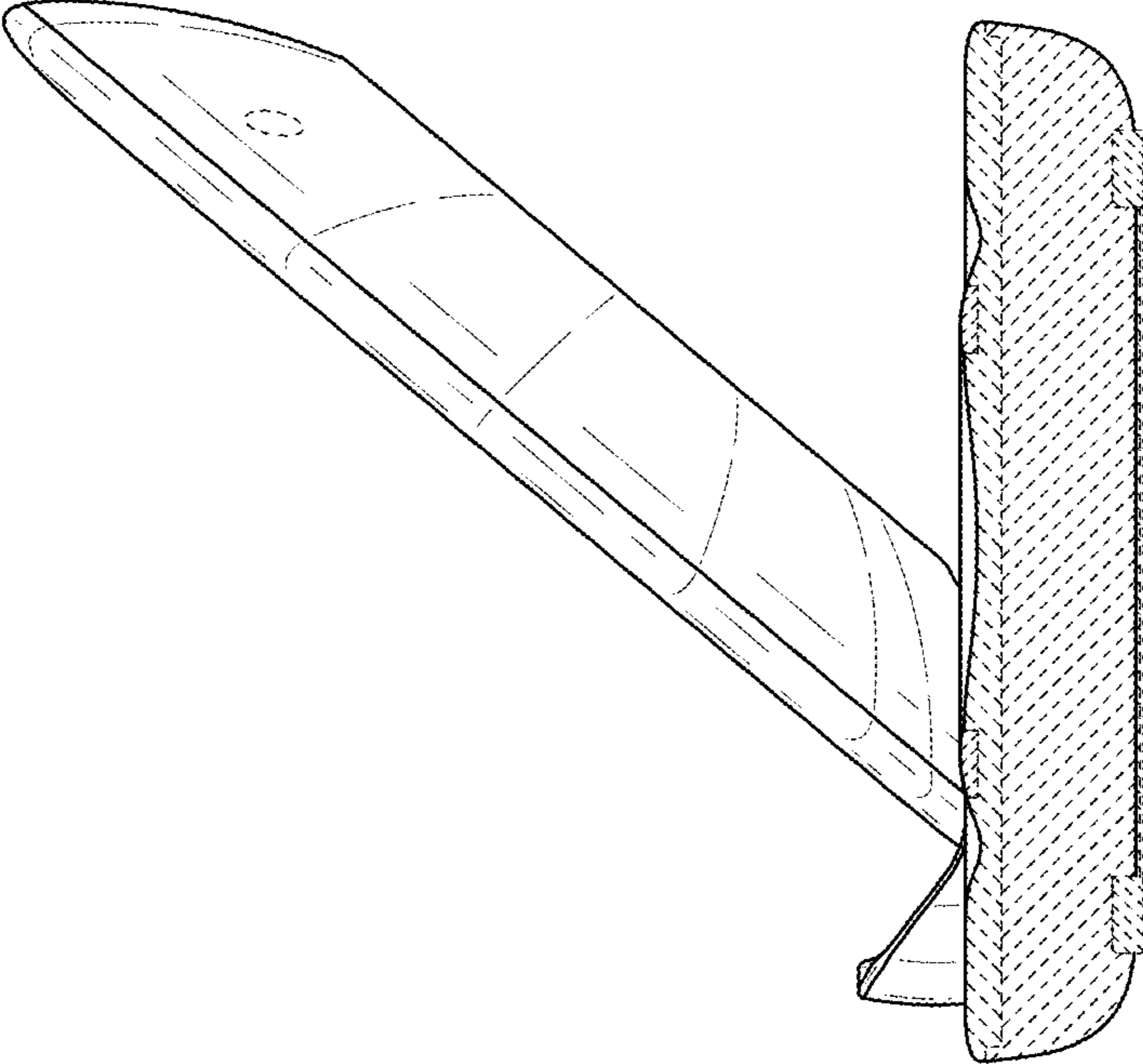


FIG. 10

