



US00D870040S

(12) **United States Design Patent** (10) **Patent No.:** **US D870,040 S**
Wu (45) **Date of Patent:** **** Dec. 17, 2019**

(54) **STYLUS CHARGER**
(71) Applicant: **ATENBO ENTERPRISE CO., LTD,**
Taoyuan (TW)
(72) Inventor: **Mao-Sung Wu,** Taoyuan (TW)
(**) Term: **15 Years**
(21) Appl. No.: **29/647,804**
(22) Filed: **May 15, 2018**
(51) **LOC (12) Cl.** **13-02**
(52) **U.S. Cl.**
USPC **D13/108**
(58) **Field of Classification Search**
USPC D13/107–110, 118–119, 184; D14/251,
D14/253, 432, 434
CPC Y02E 60/12; Y02T 90/14; Y02T 90/122;
Y02T 90/128; Y02T 90/163; H02J 7/025;
H02J 7/0042; H02J 7/0044; H02J 7/0045;
H02J 7/0003; H01F 38/14; H01R
13/6675; H01M 2/1022; H01M 2/1055;
H01M 10/44; H01M 10/46; H01M
10/425; B60L 11/182
See application file for complete search history.

D673,528 S * 1/2013 Trotsky D14/217
D730,826 S * 6/2015 Moanack D13/110
D758,304 S * 6/2016 Wright D13/107
D786,789 S * 5/2017 Jordan D13/108
D789,373 S * 6/2017 King D14/413
D789,374 S * 6/2017 King D14/413
D798,808 S * 10/2017 Ptok D13/108
D812,003 S * 3/2018 Lee D13/110
D812,004 S * 3/2018 Lee D13/110
D815,034 S * 4/2018 Zhao D13/107
D832,276 S * 10/2018 Miles D14/451
D832,859 S * 11/2018 Charlesworth D14/451
D839,191 S * 1/2019 Akana D13/108

* cited by examiner

Primary Examiner — Rosemary K Tarcza

(57) **CLAIM**

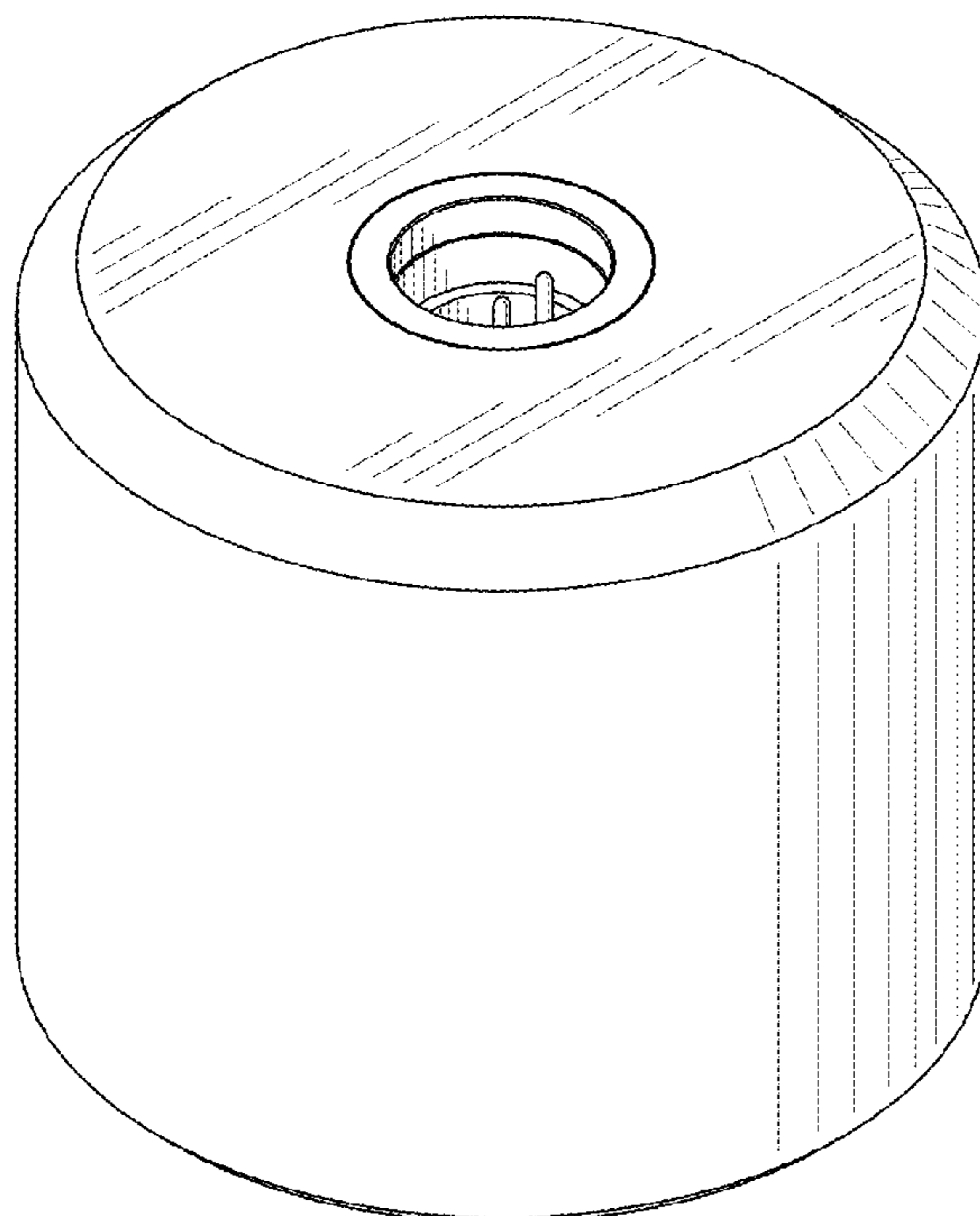
The ornamental design for a stylus charger, as shown and described.

DESCRIPTION

FIG. 1 is a top front perspective view of a stylus charger, showing my new design;
FIG. 2 is a top rear perspective view of a stylus charger thereof;
FIG. 3 is a front elevational view thereof;
FIG. 4 is a rear elevational view thereof;
FIG. 5 is a left side elevational view thereof;
FIG. 6 is a right side elevational view thereof;
FIG. 7 is a top plan view thereof; and,
FIG. 8 is a bottom plan view thereof.
The broken lines shown in the drawings are included for the purpose of illustrating portions of the stylus charger that form no part of the claimed design.

1 Claim, 5 Drawing Sheets

(56) **References Cited**
U.S. PATENT DOCUMENTS
D221,081 S * 7/1971 Kahn D13/110
D345,145 S * 3/1994 Fogg D10/103
D466,700 S * 12/2002 Richmond D13/108
D546,823 S * 7/2007 Dayan D14/253
D615,491 S * 5/2010 Emminger D13/108
D660,228 S * 5/2012 Matsuoka D13/110



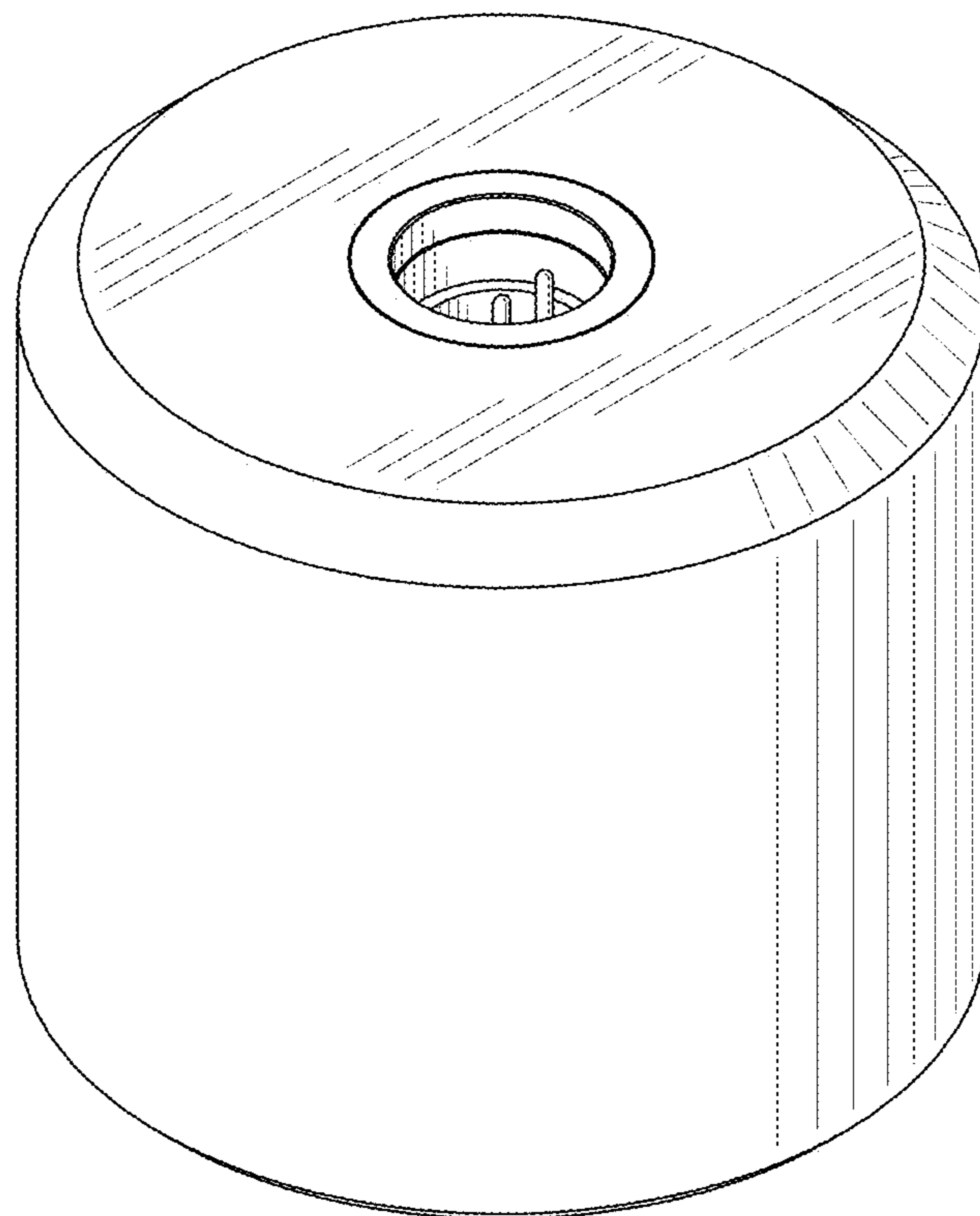


FIG. 1

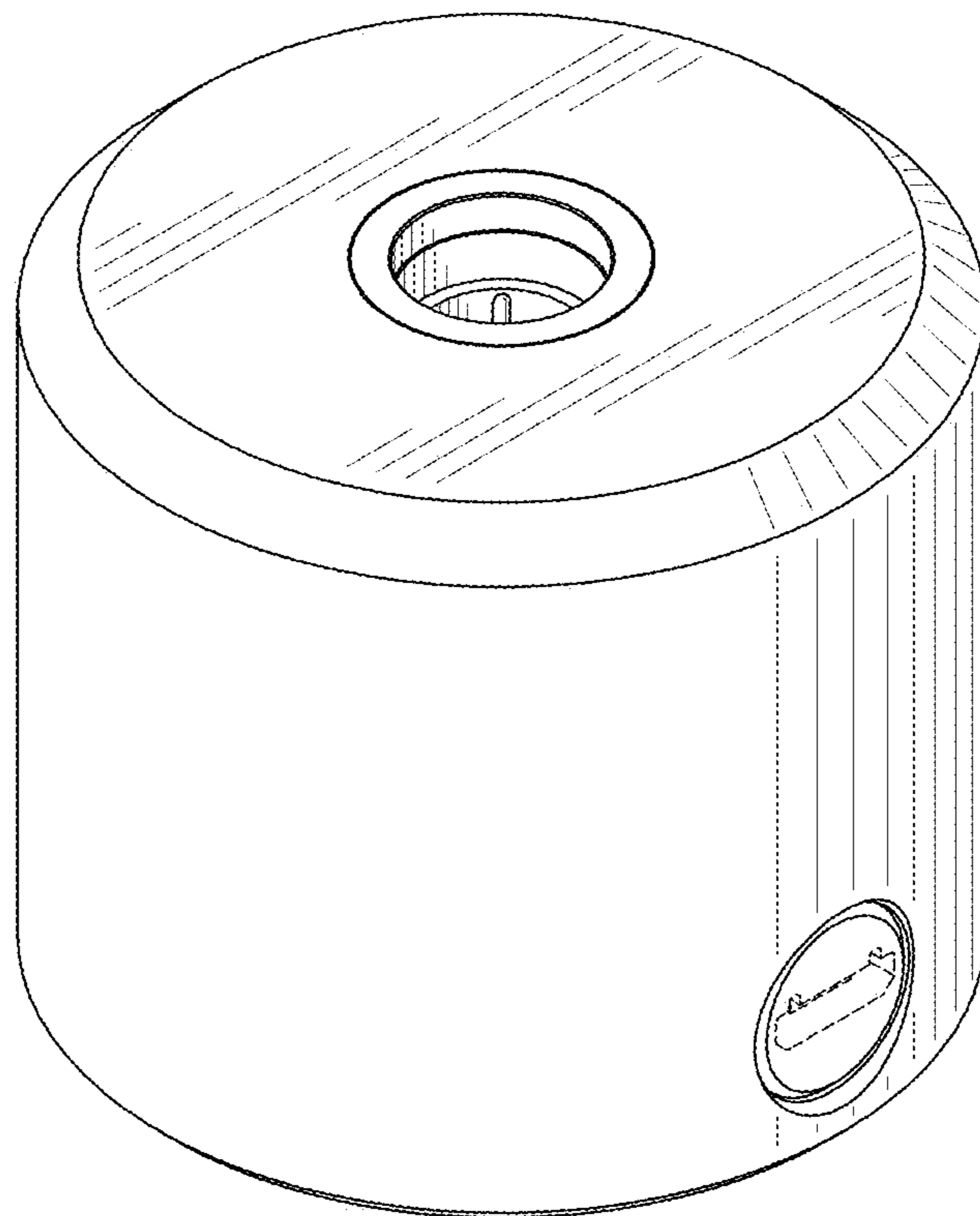


FIG. 2

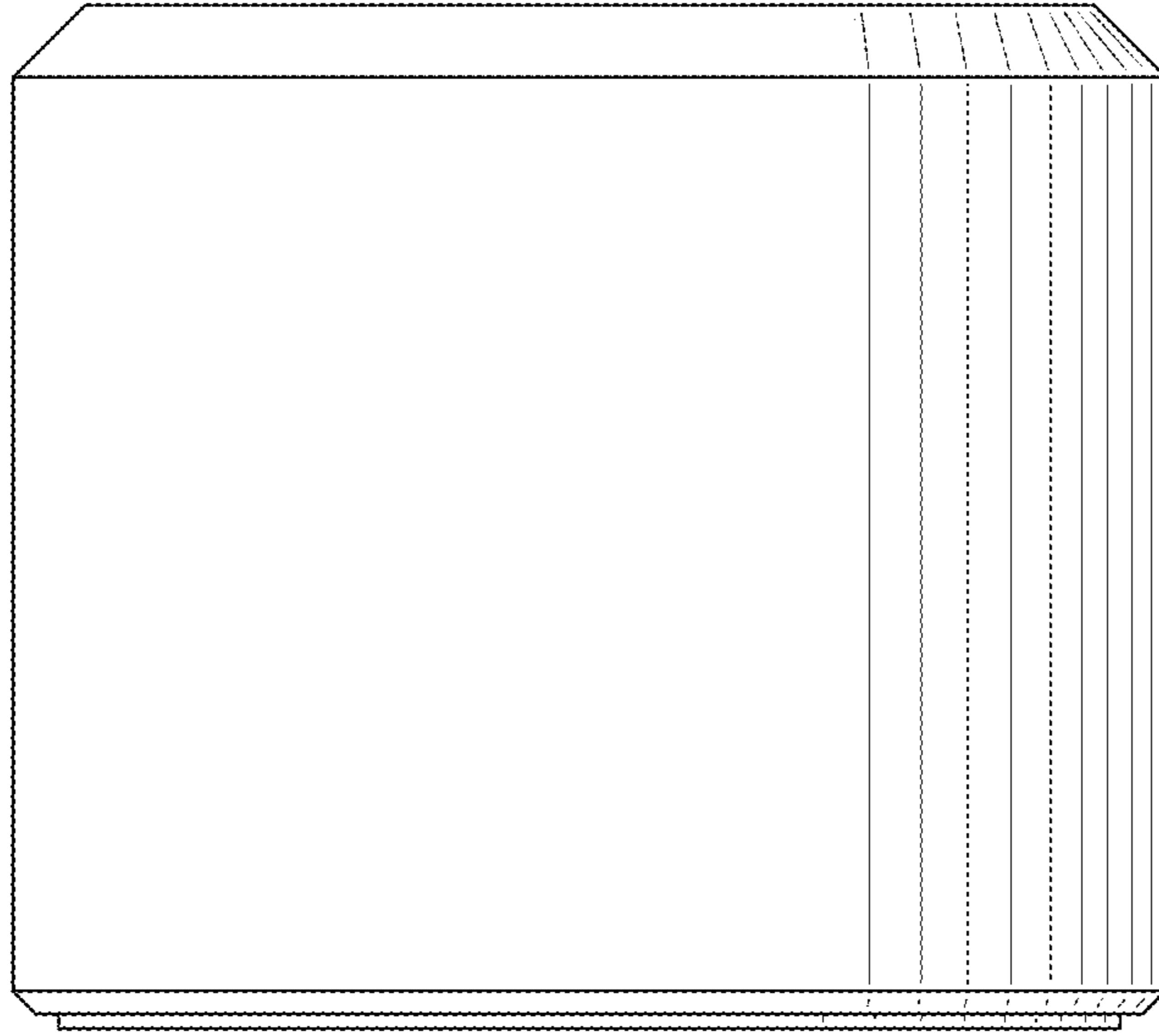


FIG. 3

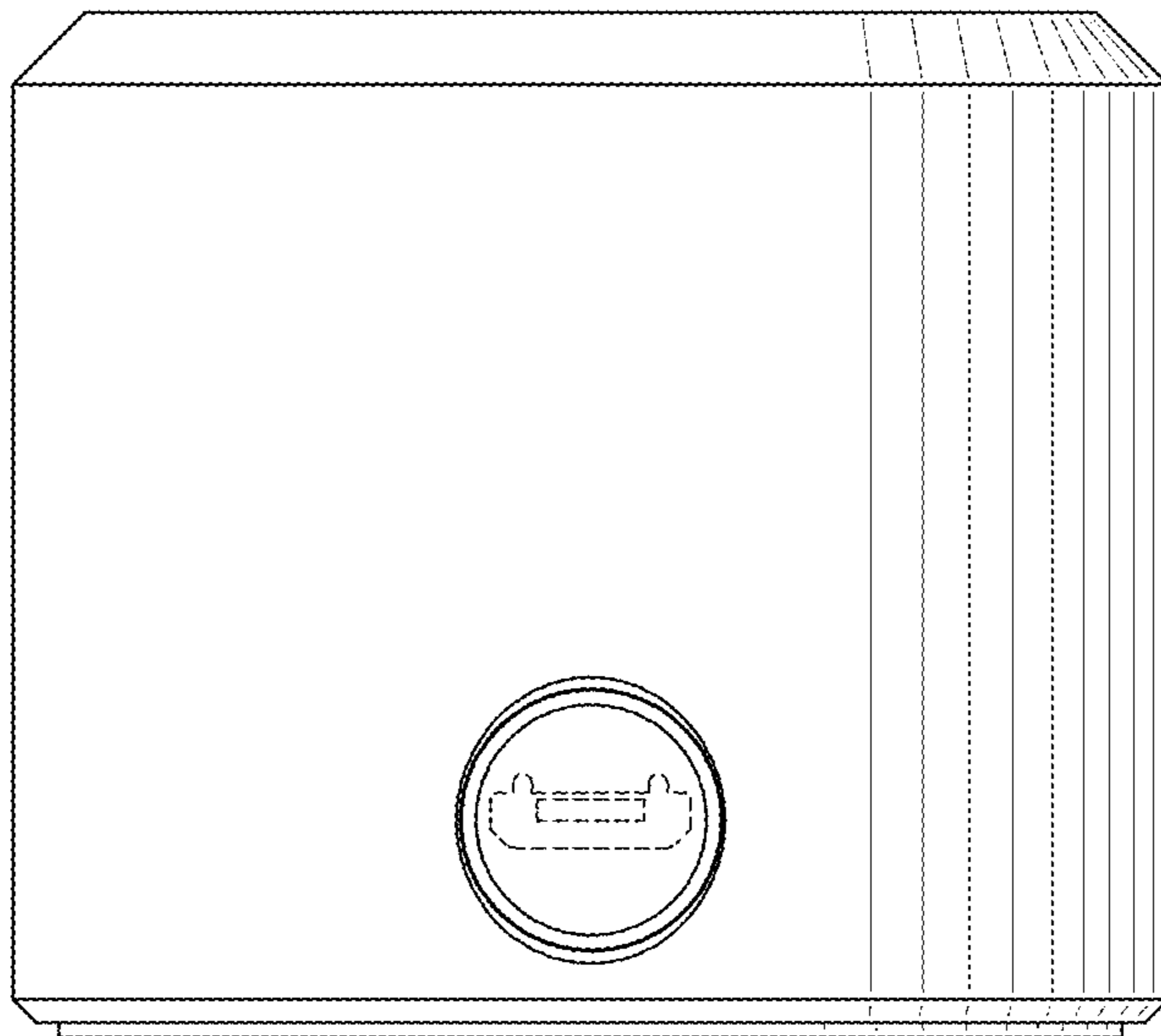


FIG. 4

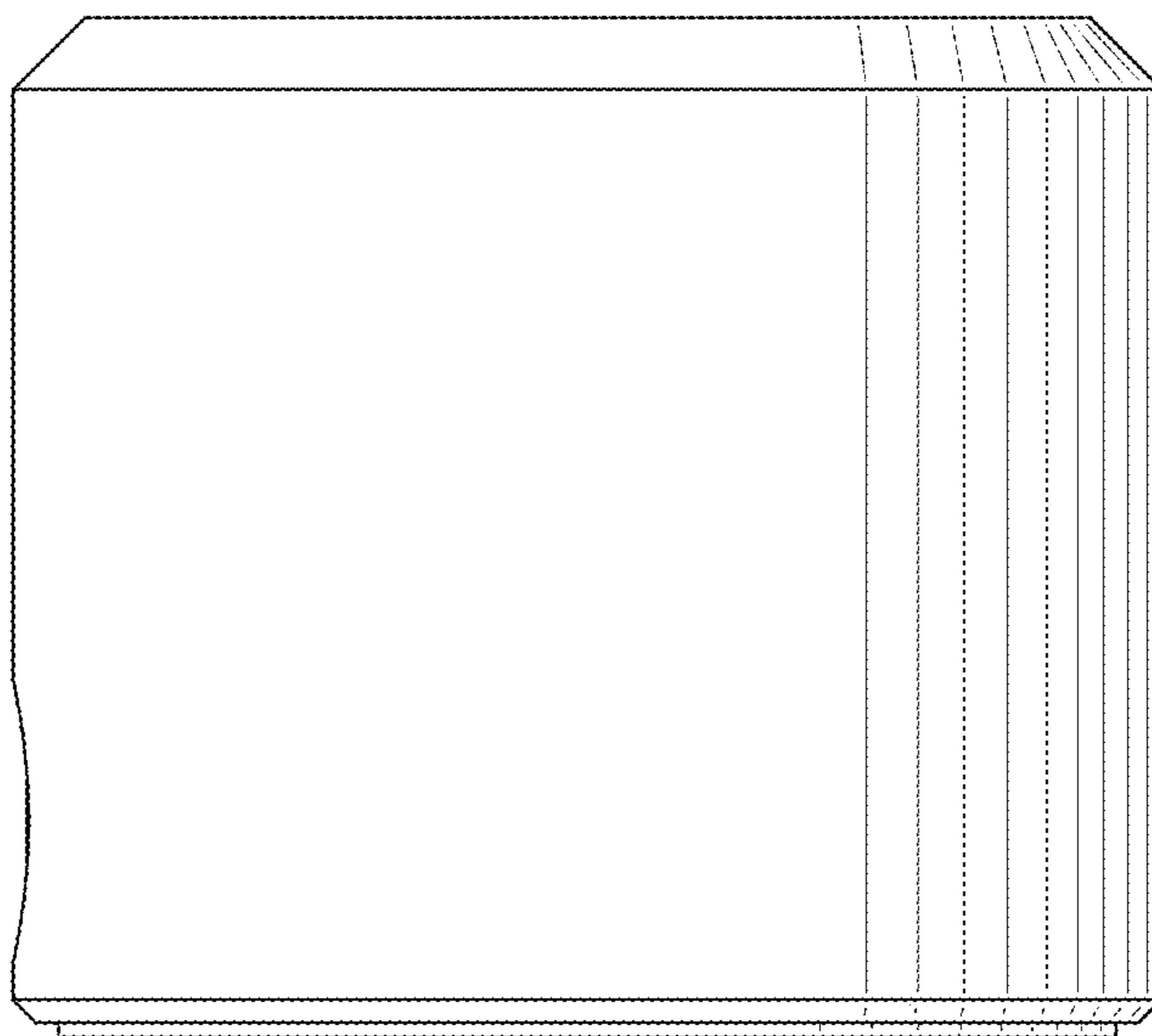


FIG. 5

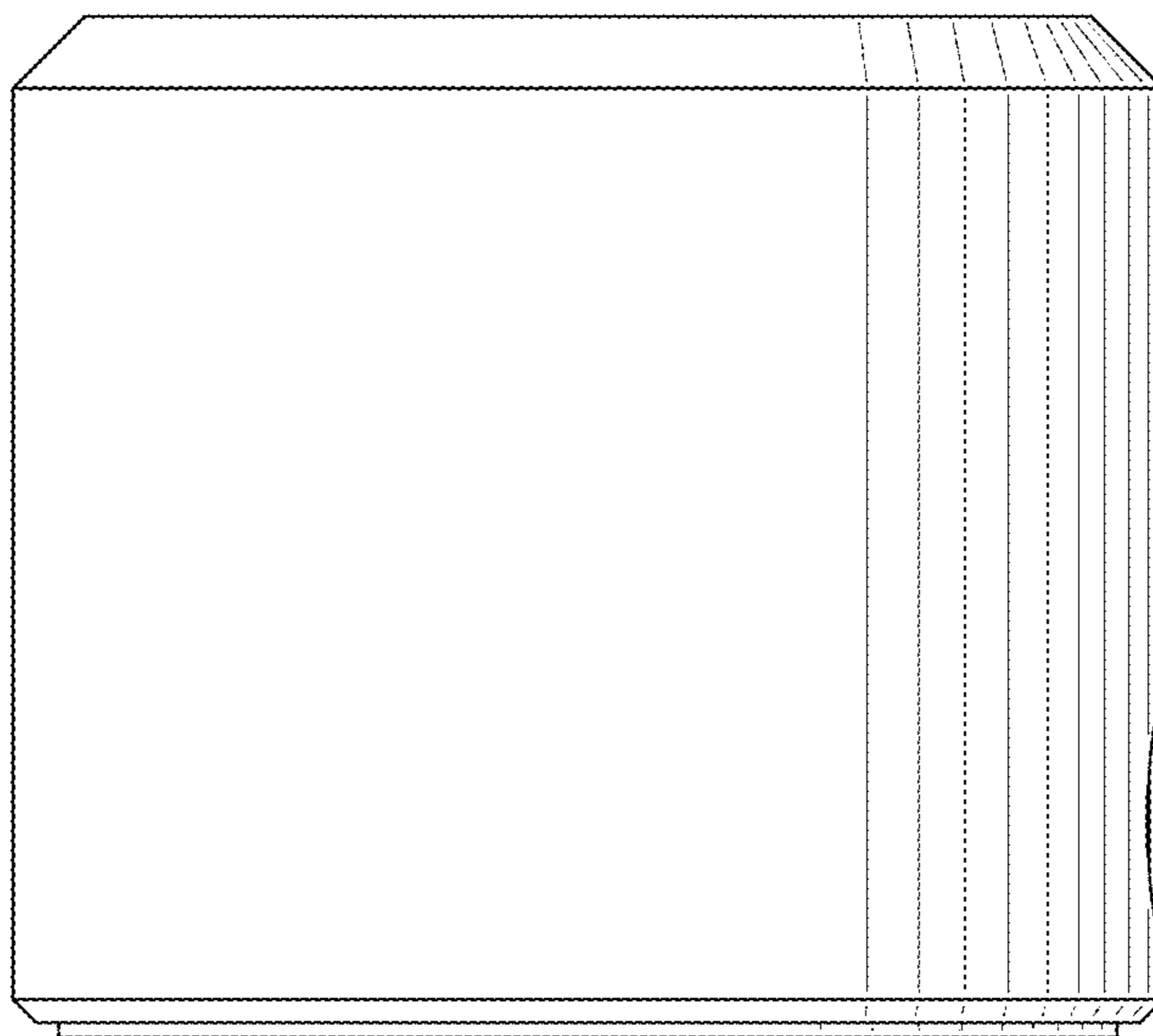


FIG. 6

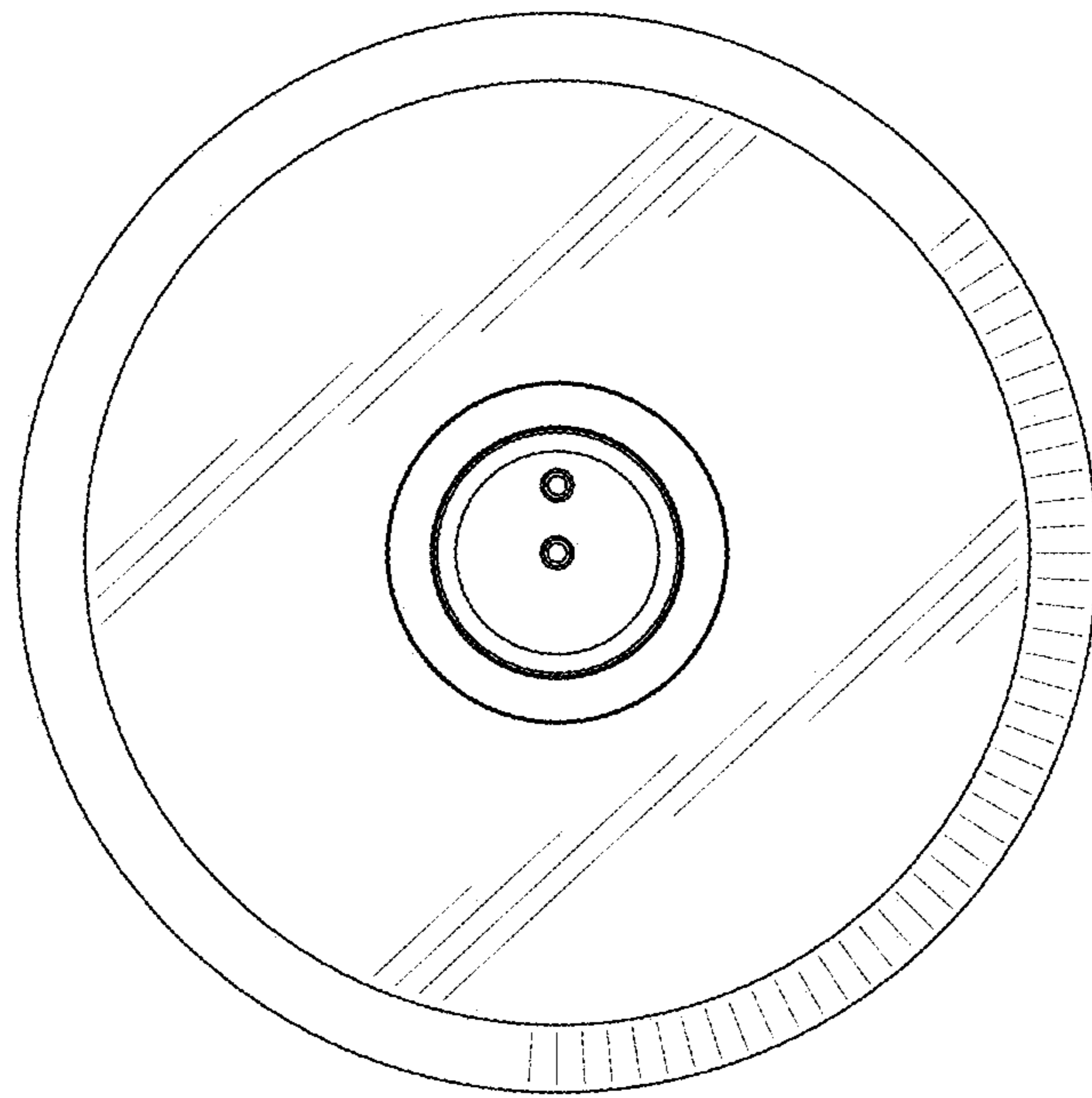


FIG. 7

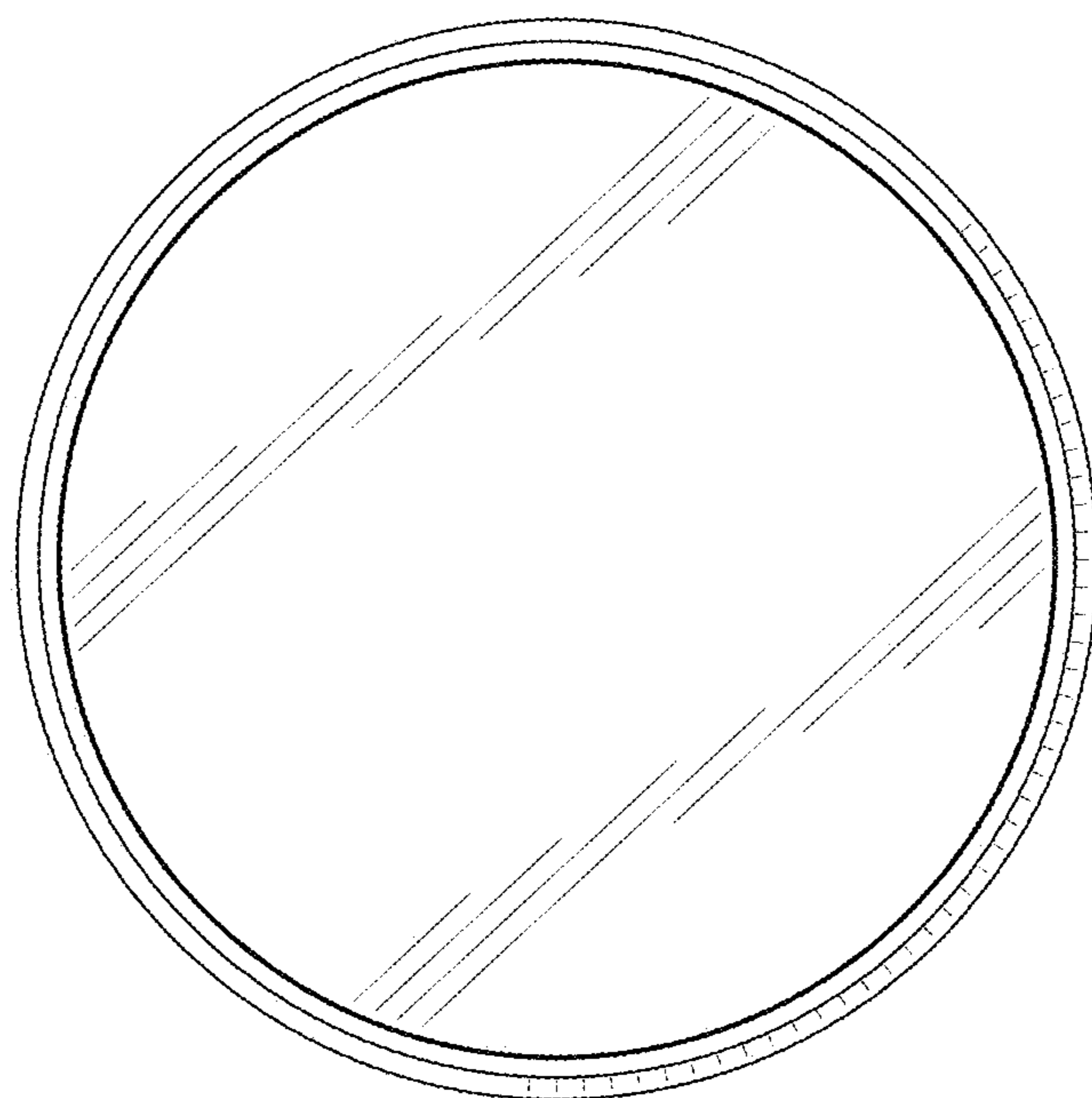


FIG. 8