



US00D870039S

(12) **United States Design Patent**  
**Wang**

(10) **Patent No.:** **US D870,039 S**

(45) **Date of Patent:** **\*\* Dec. 17, 2019**

(54) **CAR CHARGER**

(71) Applicant: **Hao Wang**, Guangdong (CN)

(72) Inventor: **Hao Wang**, Guangdong (CN)

(\*\*) Term: **15 Years**

(21) Appl. No.: **29/643,813**

(22) Filed: **Apr. 12, 2018**

(30) **Foreign Application Priority Data**

Oct. 12, 2017 (CN) ..... 2017 3 0483947

(51) **LOC (12) Cl.** ..... **13-02**

(52) **U.S. Cl.**  
USPC ..... **D13/108; D13/144**

(58) **Field of Classification Search**  
USPC ..... D13/107, 110, 133, 144, 184, 118-119;  
D14/155, 251, 253, 432, 434  
CPC ..... H02J 7/0054; H02J 7/0055; H02J 7/0057;  
H02J 7/025; H02J 7/0042; H02J 7/0044;  
H02J 7/0045; H02J 7/0003; H01R 13/70;  
H01R 13/71; H01R 13/66; H01R 13/26;  
H01R 13/6675; H05K 11/02; Y02E  
60/12; H01F 38/14; H01M 2/1022; H01M  
2/1055; H01M 10/44; H01M 10/46;  
H01M 10/425; B60L 11/182  
See application file for complete search history.

(56) **References Cited**

**U.S. PATENT DOCUMENTS**

D700,572 S \* 3/2014 Esses ..... D13/108  
D701,838 S \* 4/2014 Esses ..... D13/108  
D714,223 S \* 9/2014 Huang ..... D13/144  
D714,727 S \* 10/2014 Cai ..... D13/144

D718,242 S \* 11/2014 Aspinall ..... D13/144  
D723,466 S \* 3/2015 Wang ..... D13/110  
D733,046 S \* 6/2015 Shin ..... D13/107  
D747,681 S \* 1/2016 Lee ..... D13/108  
D780,694 S \* 3/2017 Wang ..... D13/110  
D786,885 S \* 5/2017 Eliyahu ..... D14/480.1  
D805,034 S \* 12/2017 Joseph ..... D13/144  
D807,289 S \* 1/2018 Wang ..... D13/107  
D811,998 S \* 3/2018 Wang ..... D13/107

\* cited by examiner

*Primary Examiner* — Rosemary K Tarcza  
*Assistant Examiner* — Nathaniel D. Buckner

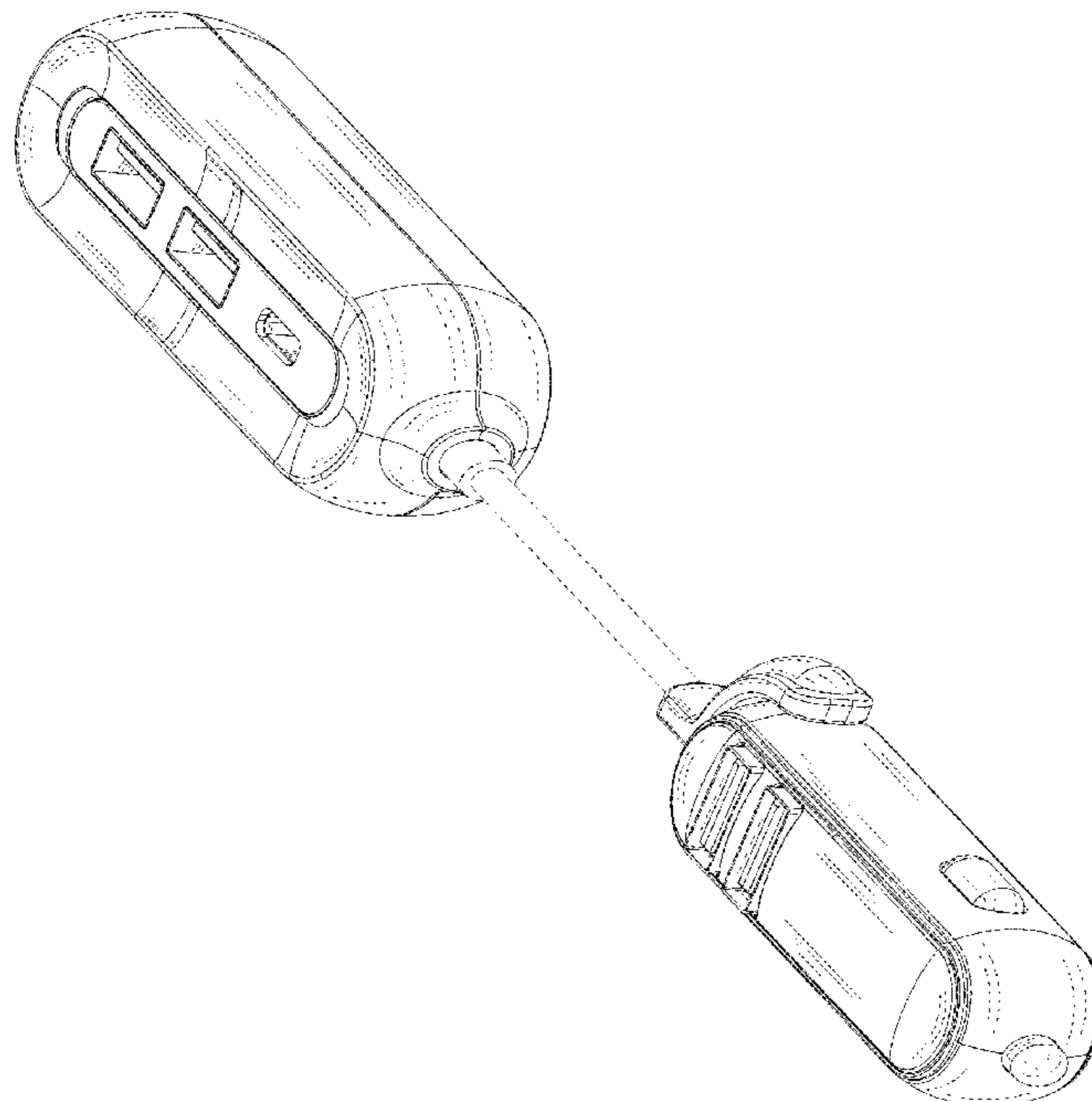
(57) **CLAIM**

The ornamental design for a car charger, as shown and described.

**DESCRIPTION**

FIG. 1 is a first perspective view of a car charger comprising a first component and a second component; FIG. 2 is a second perspective view of FIG. 1; FIG. 3 is a third perspective view of FIG. 1; FIG. 4 is a fourth perspective view of FIG. 1; FIG. 5 is a first perspective view of the first component of the car charger shown separately for ease of illustration; FIG. 6 is a second perspective view of FIG. 5; FIG. 7 is a third perspective view of FIG. 5; FIG. 8 is a fourth perspective view of FIG. 5; FIG. 9 is a first perspective view of the second component of the car charger shown separately for ease of illustration; FIG. 10 is a second perspective view of FIG. 9; FIG. 11 is a third perspective view of FIG. 9; and, FIG. 12 is a fourth perspective view of FIG. 9. The broken lines shown in the drawings depict portions of the car charger that form not part of the claimed design.

**1 Claim, 10 Drawing Sheets**



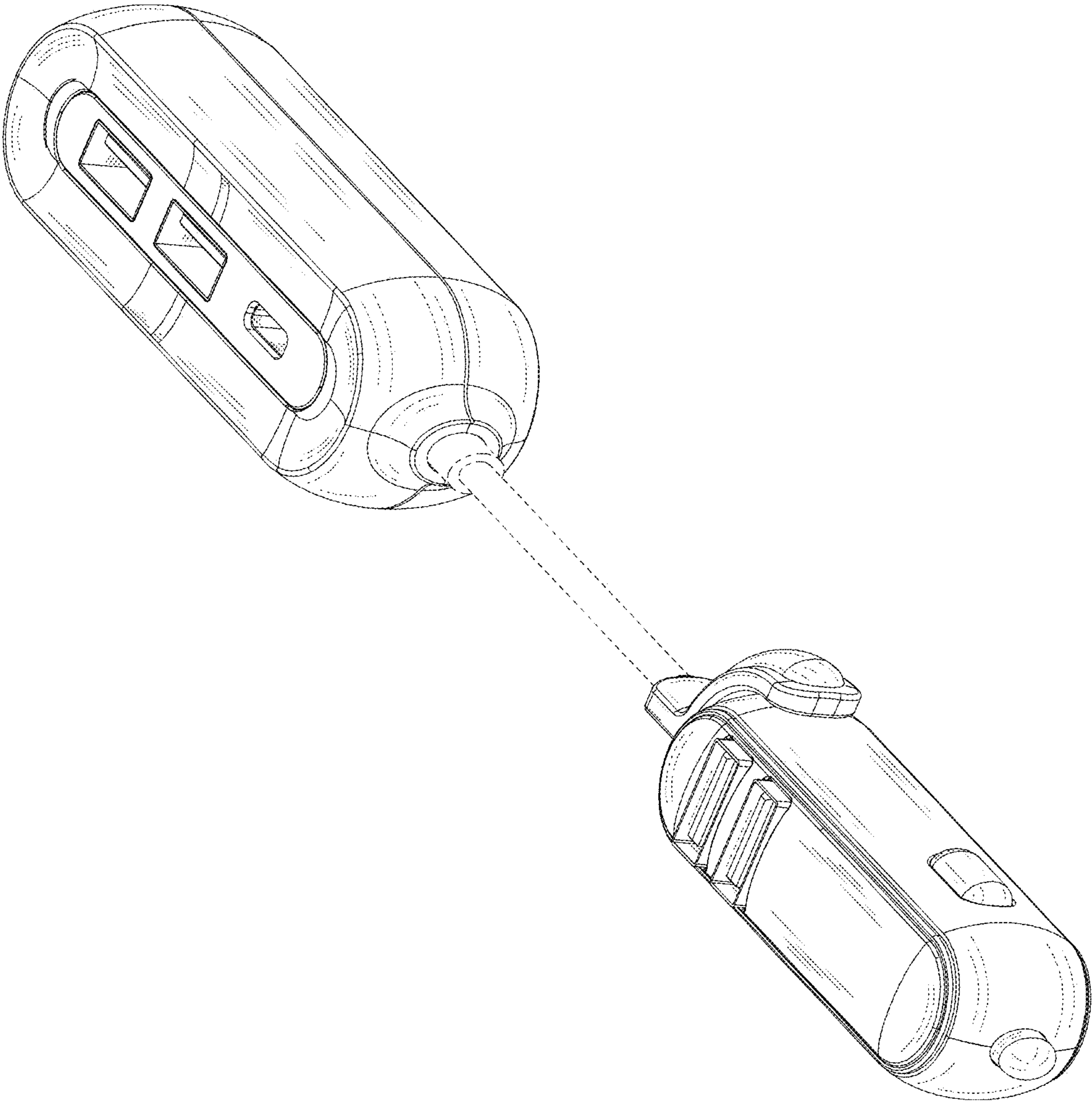


Fig.1

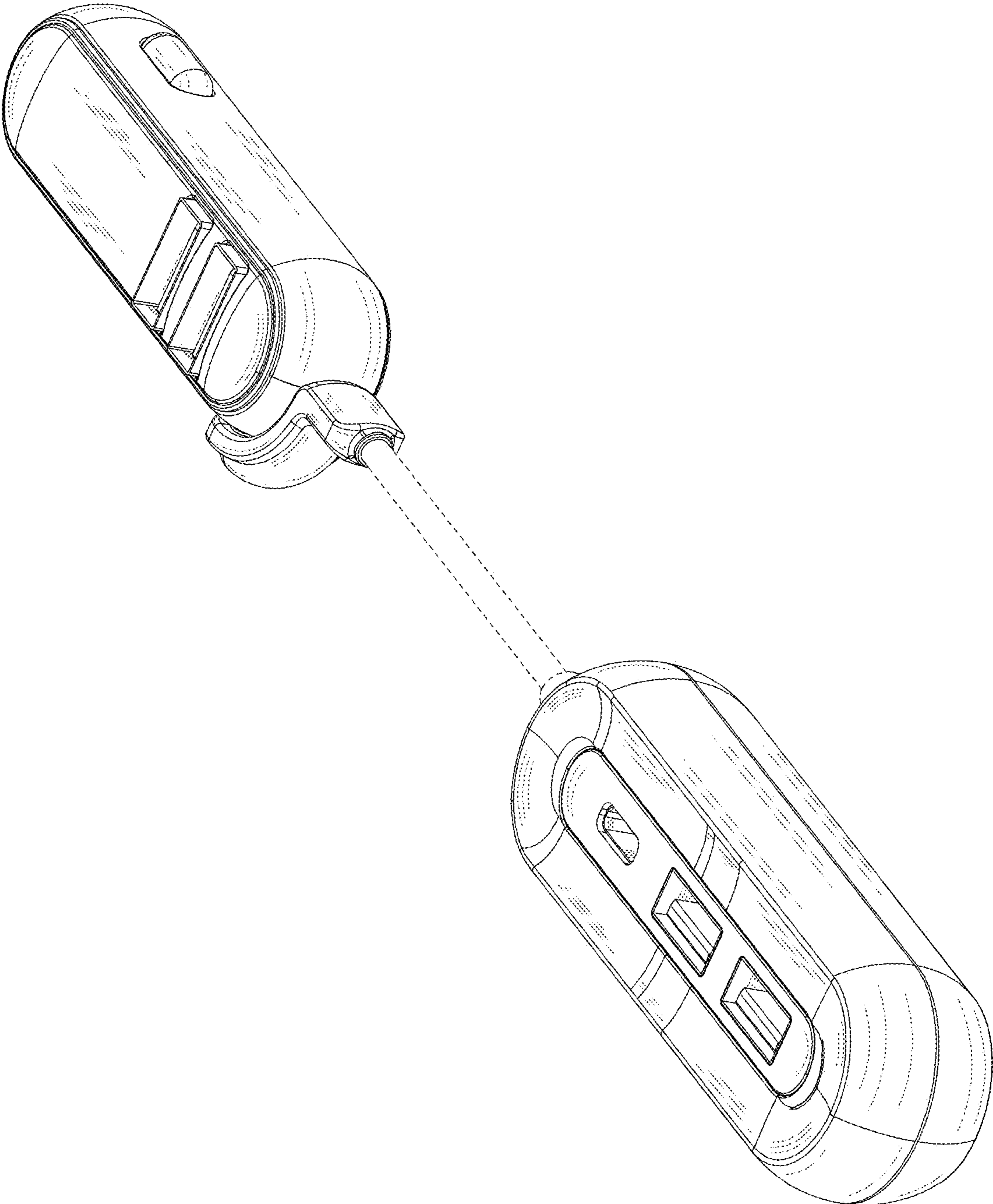


Fig.2



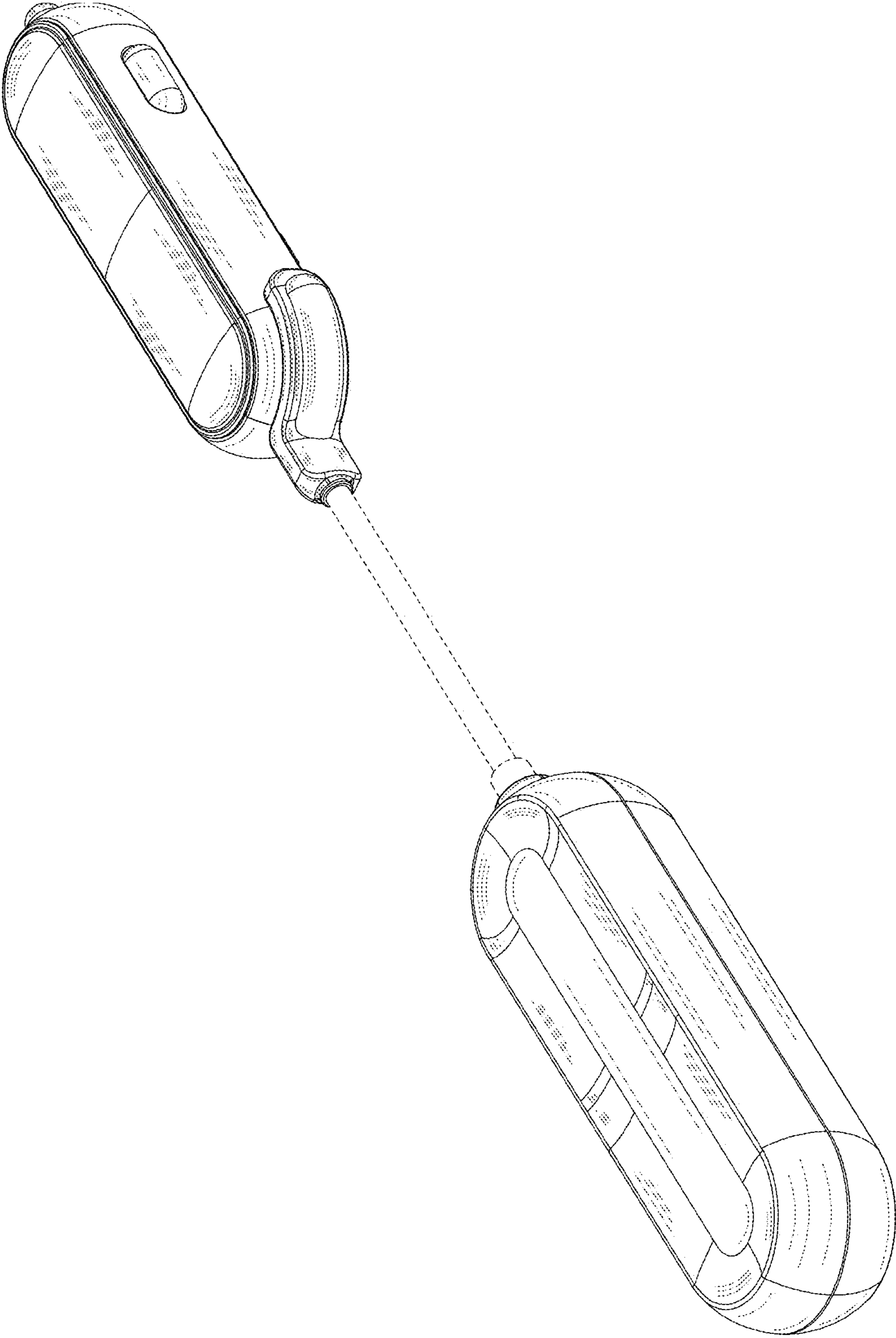


Fig.3

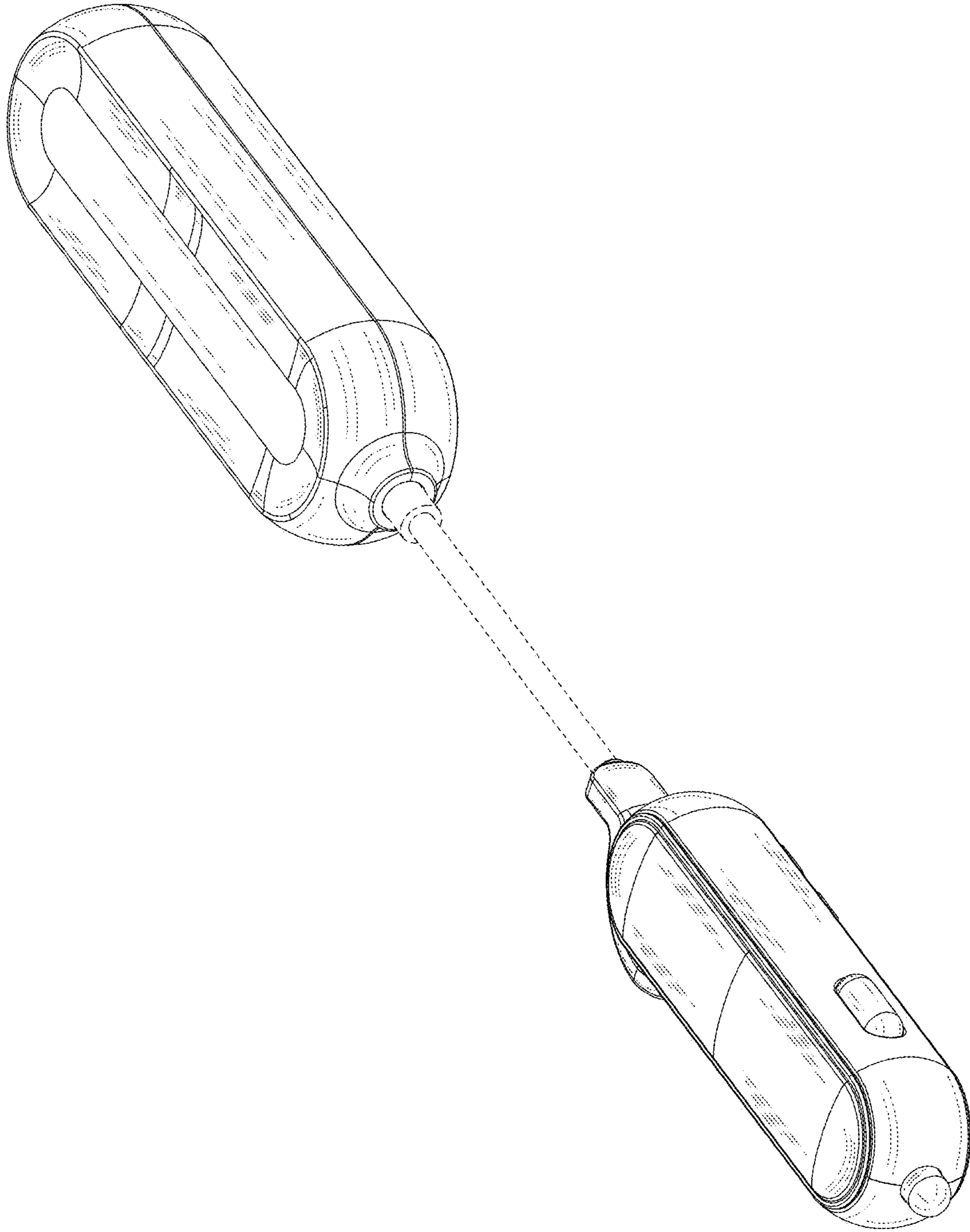


Fig.4

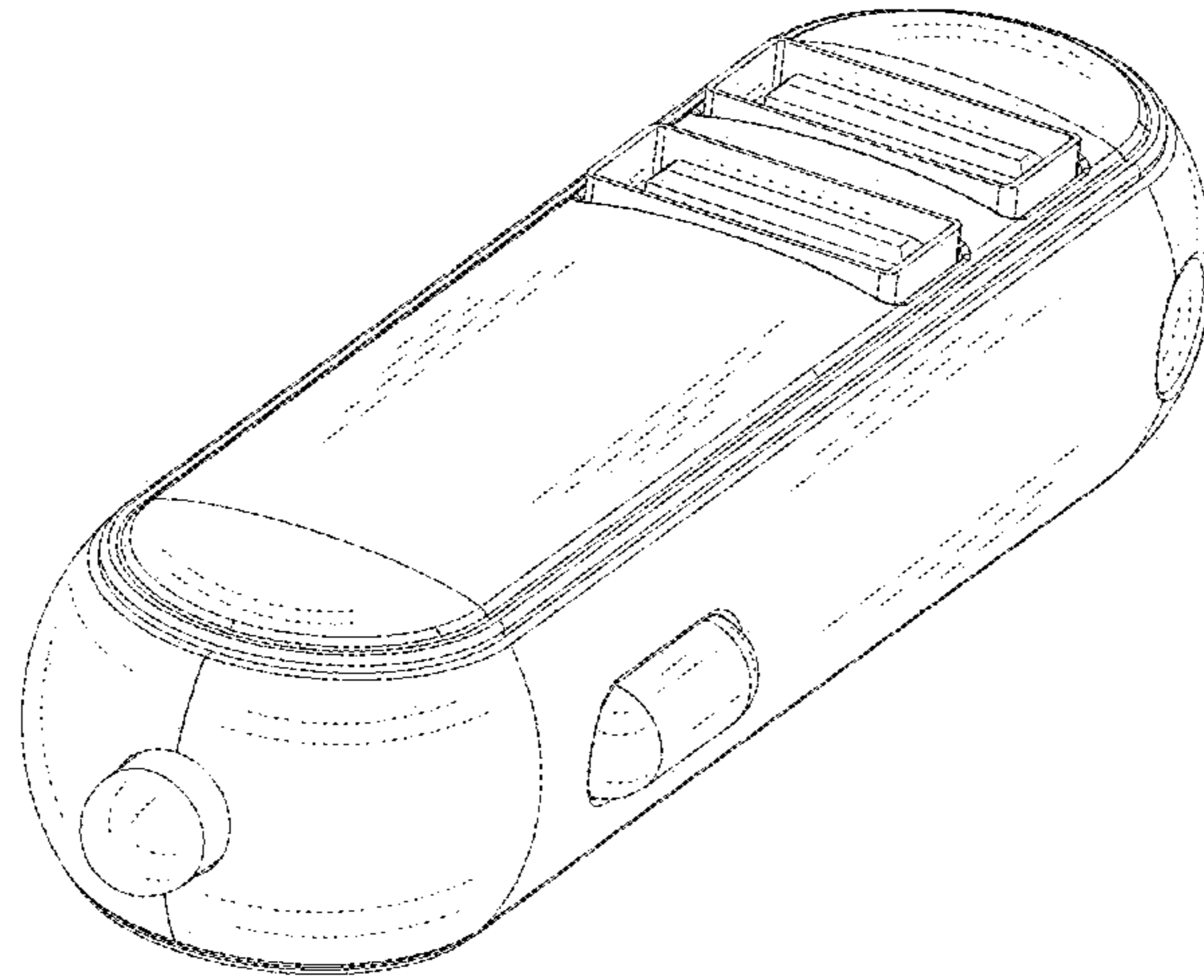


Fig.5

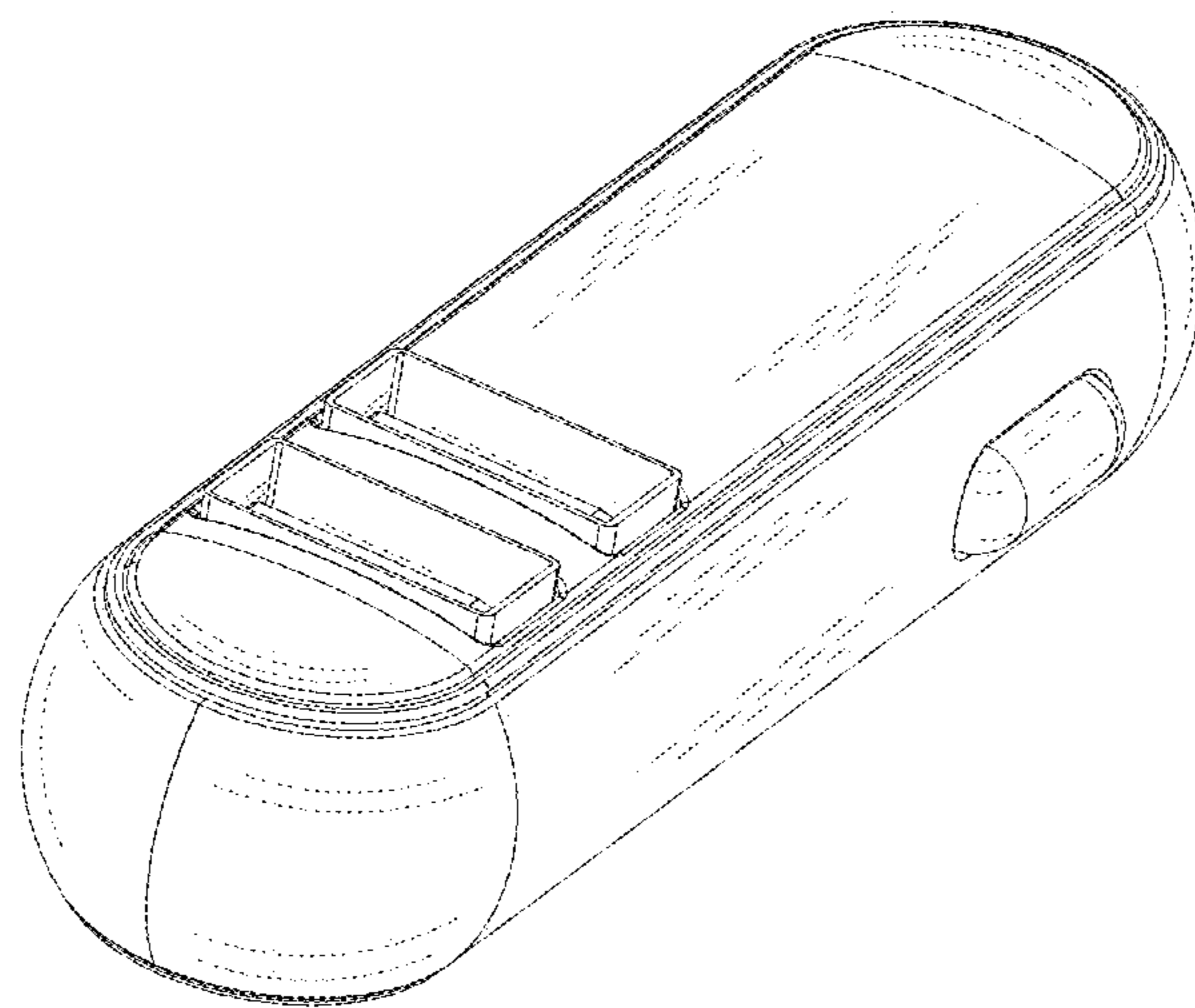


Fig.6

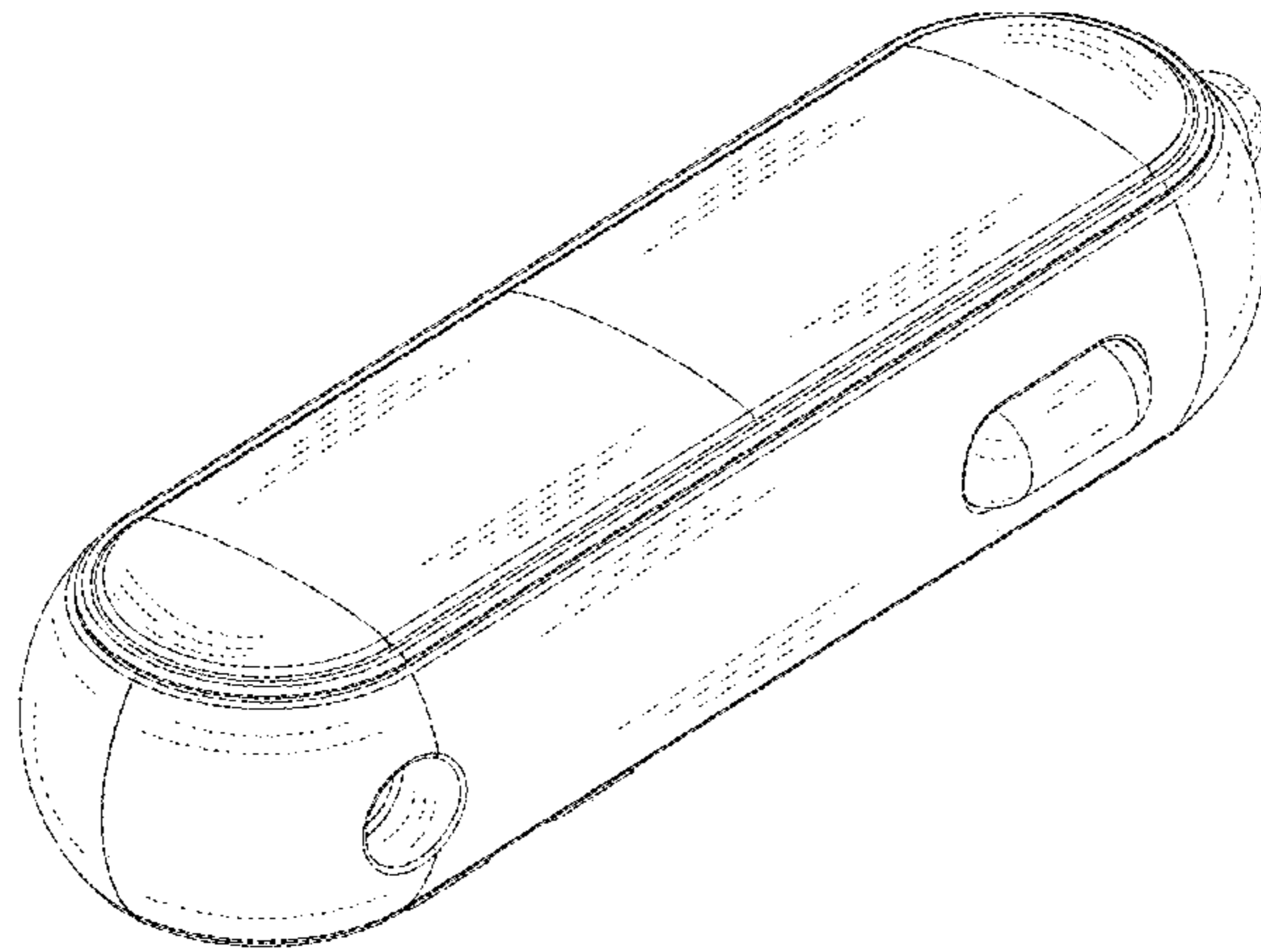


Fig. 7

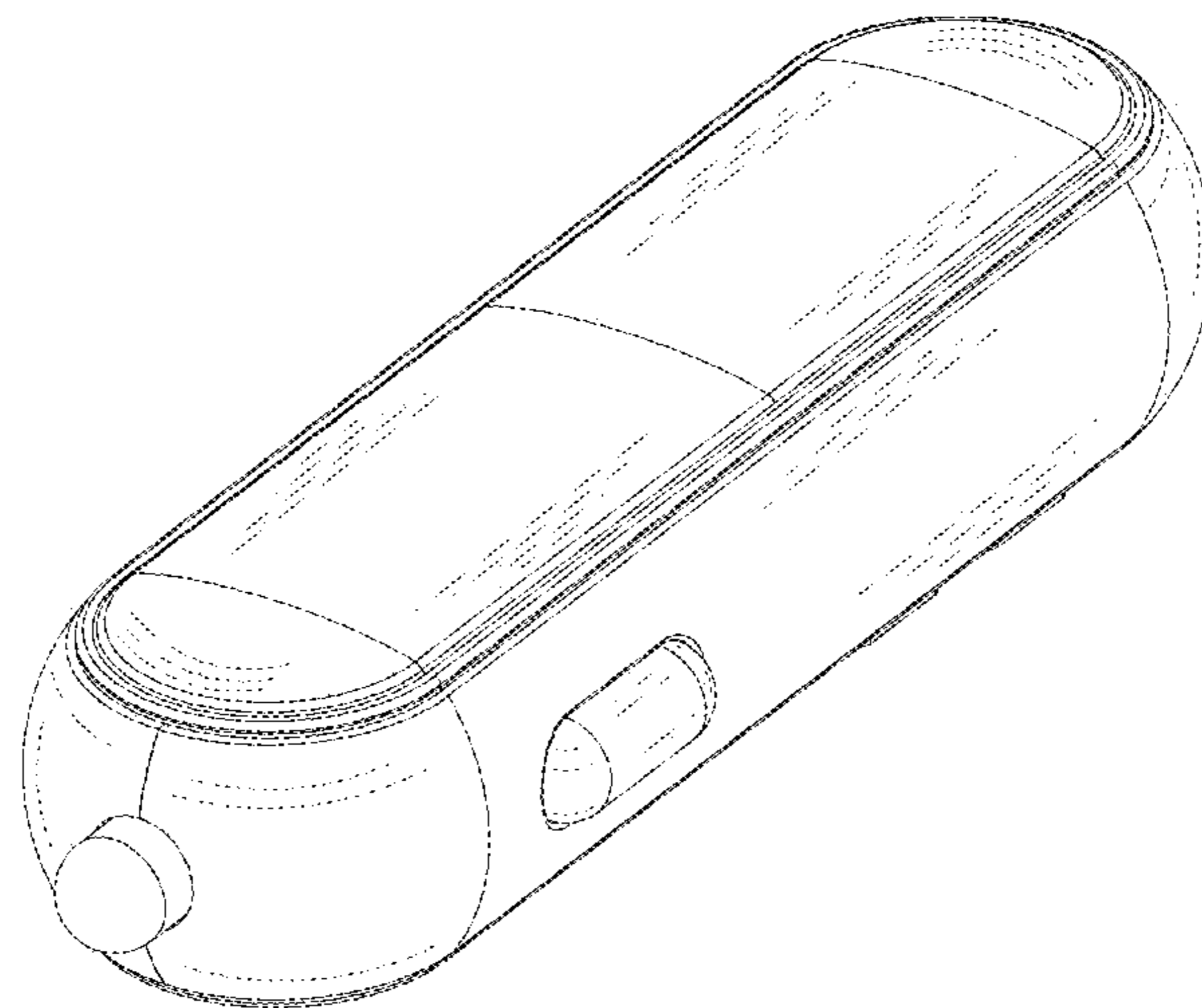


Fig. 8

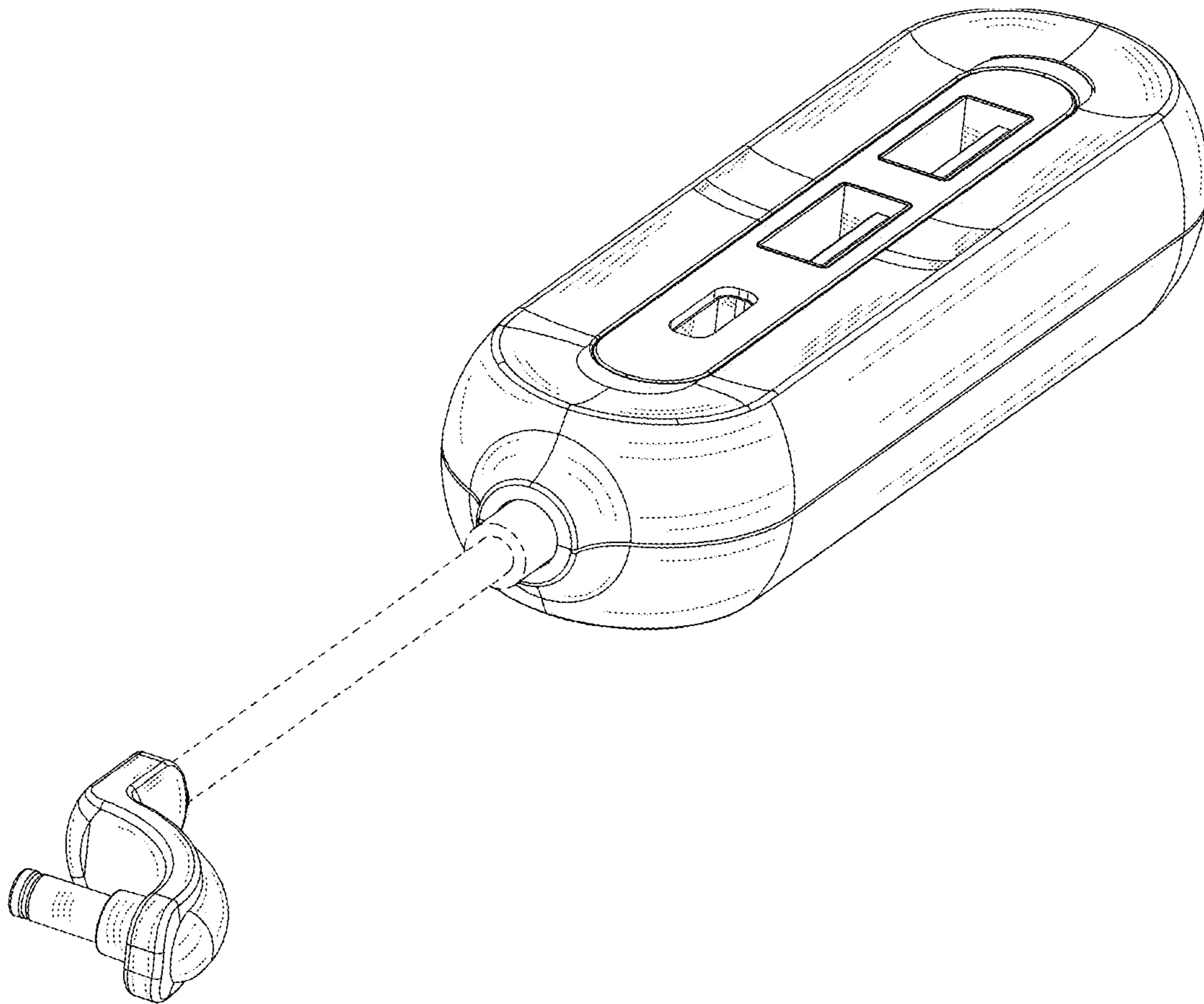


Fig.9



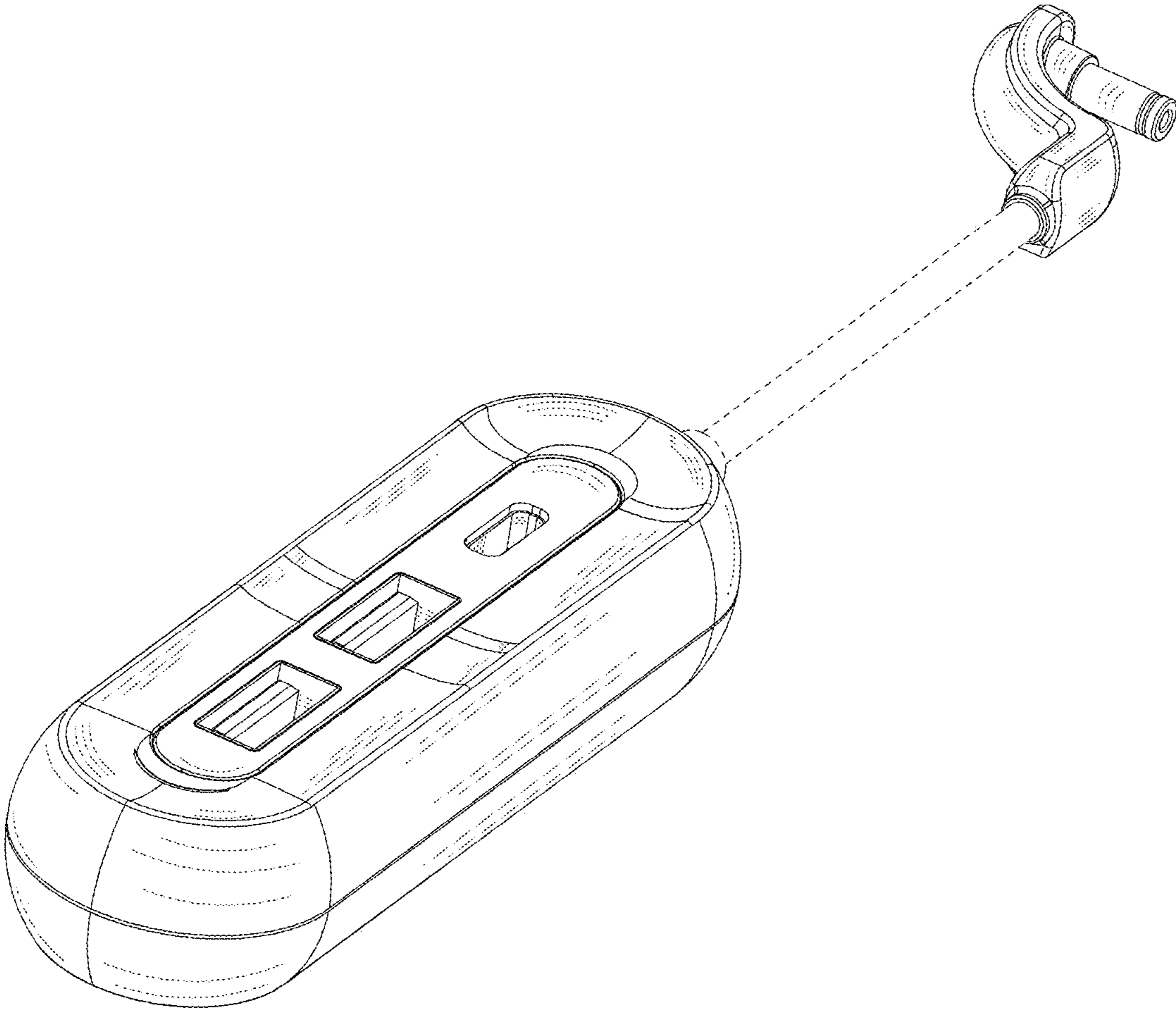


Fig.10

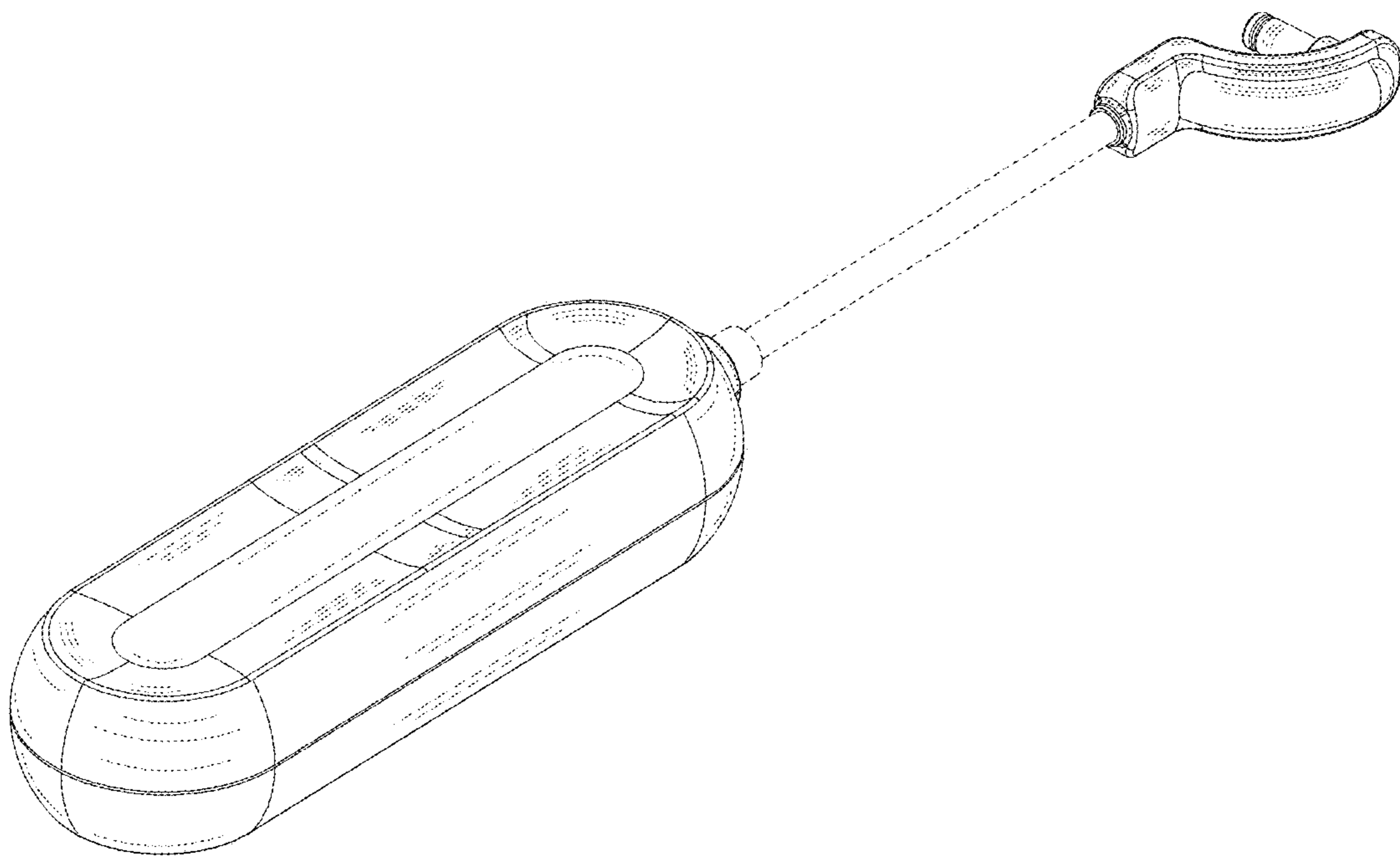


Fig. 11

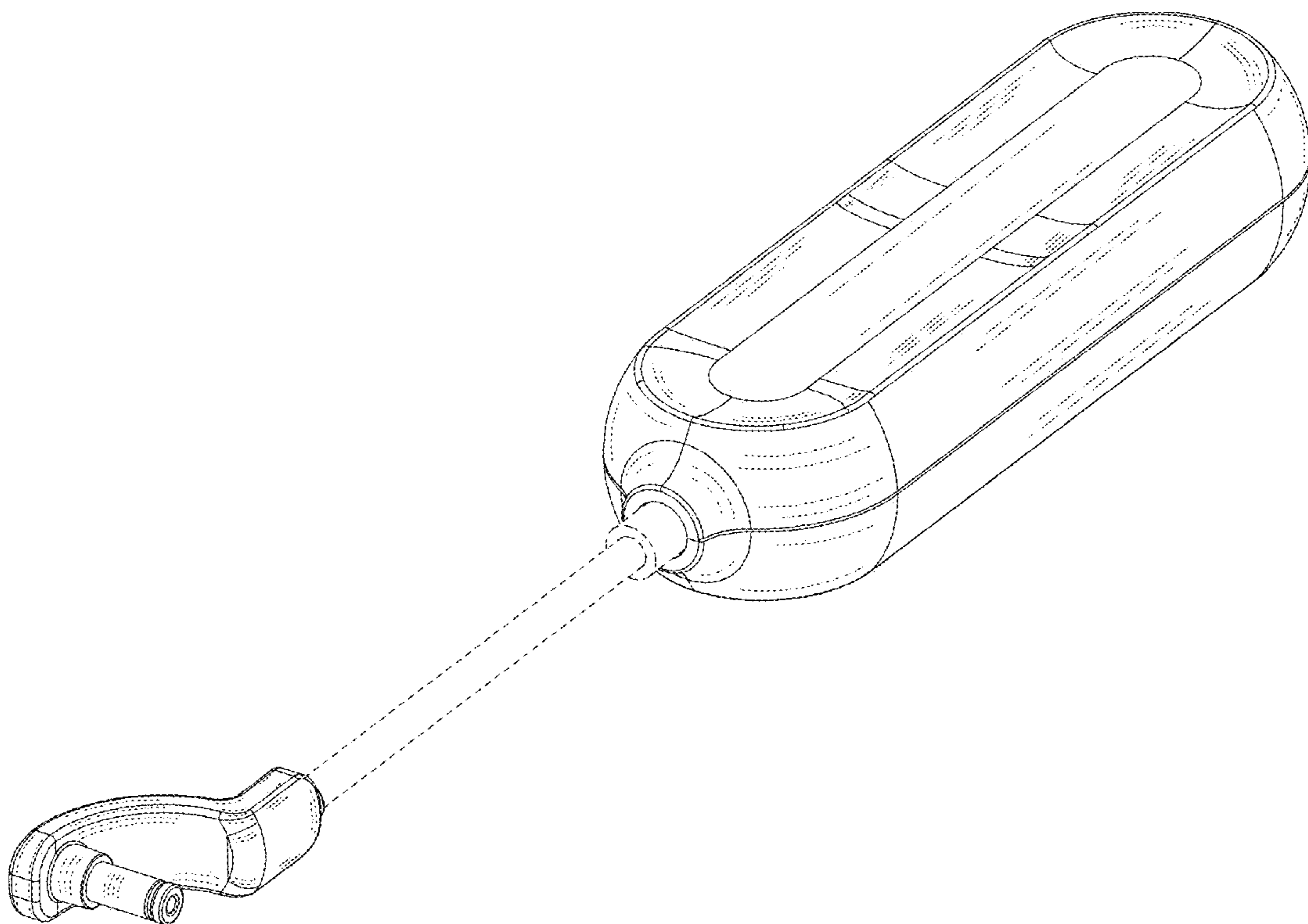


Fig. 12