



US00D870036S

(12) **United States Design Patent**
Yang et al.

(10) **Patent No.:** **US D870,036 S**

(45) **Date of Patent:** **** Dec. 17, 2019**

(54) **CHARGER**

(71) Applicant: **Ningbo Gude Electronic Technology Co., Ltd**, Zhejiang Province (CN)

(72) Inventors: **Zhaolin Yang**, Zhejiang Province (CN); **Jianrong Zhou**, Zhejiang Province (CN); **Jun Wang**, Zhejiang Province (CN); **Shilin Wang**, Zhejiang Province (CN); **Weijun Pan**, Zhejiang Province (CN)

(**) Term: **15 Years**

(21) Appl. No.: **29/630,195**

(22) Filed: **Dec. 20, 2017**

(51) **LOC (12) Cl.** **13-02**

(52) **U.S. Cl.**
USPC **D13/107**

(58) **Field of Classification Search**
USPC D13/107–110, 118–119, 184; D14/251, D14/253, 432, 434
CPC Y02E 60/12; Y02T 90/14; Y02T 90/122; Y02T 90/128; Y02T 90/163; H02J 7/025; H02J 7/0042; H02J 7/0044; H02J 7/0045; H02J 7/0003; H02J 2001/008; H02J 3/32; H02J 3/008; H02J 7/0027; H02J 7/0013; H02J 7/0054; H02J 7/00; H01F 38/14; H01R 13/6675; H01M 2/1022; H01M 2/1055; H01M 10/44; H01M 10/46; H01M 10/425; B60L 11/182; B60L 11/1809; B60L 11/1861; B60R 16/03
See application file for complete search history.

(56) **References Cited**

U.S. PATENT DOCUMENTS

D133,791 S * 9/1942 Sherman et al. D10/77
D153,967 S * 5/1949 Medlar D10/77

D163,645 S * 6/1951 Schuler et al. D13/109
D275,293 S * 8/1984 Bouman D15/144
D329,391 S * 9/1992 Bromberg D10/81
D629,028 S * 12/2010 Johnson D15/144
D652,436 S * 1/2012 Ostlund D15/144
D653,204 S * 1/2012 Whiting D13/107
D742,444 S * 11/2015 Leach D15/144
D811,325 S * 2/2018 Inskeep D13/107
D812,561 S * 3/2018 Inskeep D13/107
2004/0182845 A1 * 9/2004 Crisler, III B23K 9/10
219/130.1
2009/0277882 A1 * 11/2009 Bornemann B23K 10/00
219/121.39

* cited by examiner

Primary Examiner — Rosemary K Tarcza

Assistant Examiner — Nathaniel D. Buckner

(74) *Attorney, Agent, or Firm* — Prakash Nama; Global IP Services, PLLC

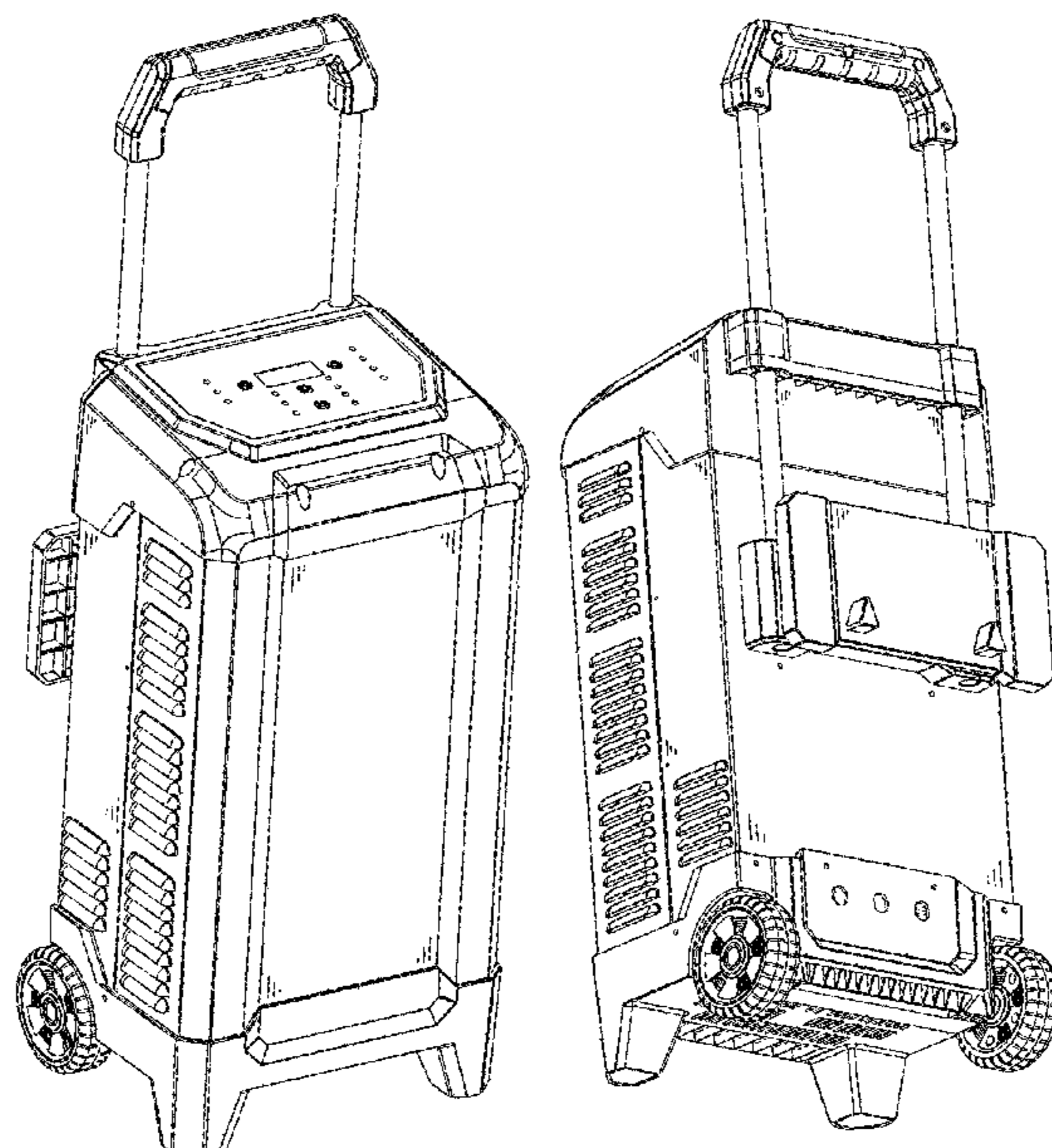
(57) **CLAIM**

The ornamental design for a charger, as shown and described.

DESCRIPTION

FIG. 1 is a front elevational view of a charger showing our new design;
FIG. 2 is a rear elevational view thereof;
FIG. 3 is a left side view thereof;
FIG. 4 is a right side view thereof;
FIG. 5 is a top plan view thereof;
FIG. 6 is a bottom plan view thereof;
FIG. 7 is a perspective view thereof; and,
FIG. 8 is another perspective view thereof.
The broken lines in the figures depict portions of the charger that form no part of the claimed design.

1 Claim, 8 Drawing Sheets



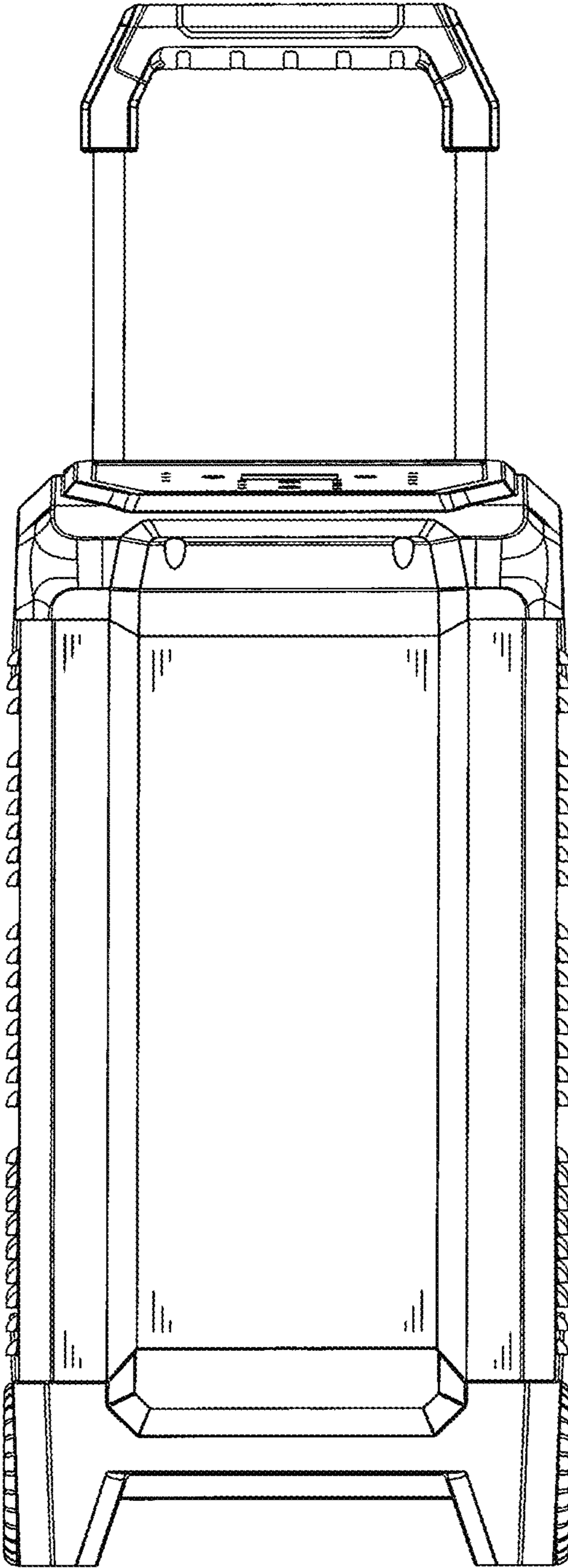


FIG. 1

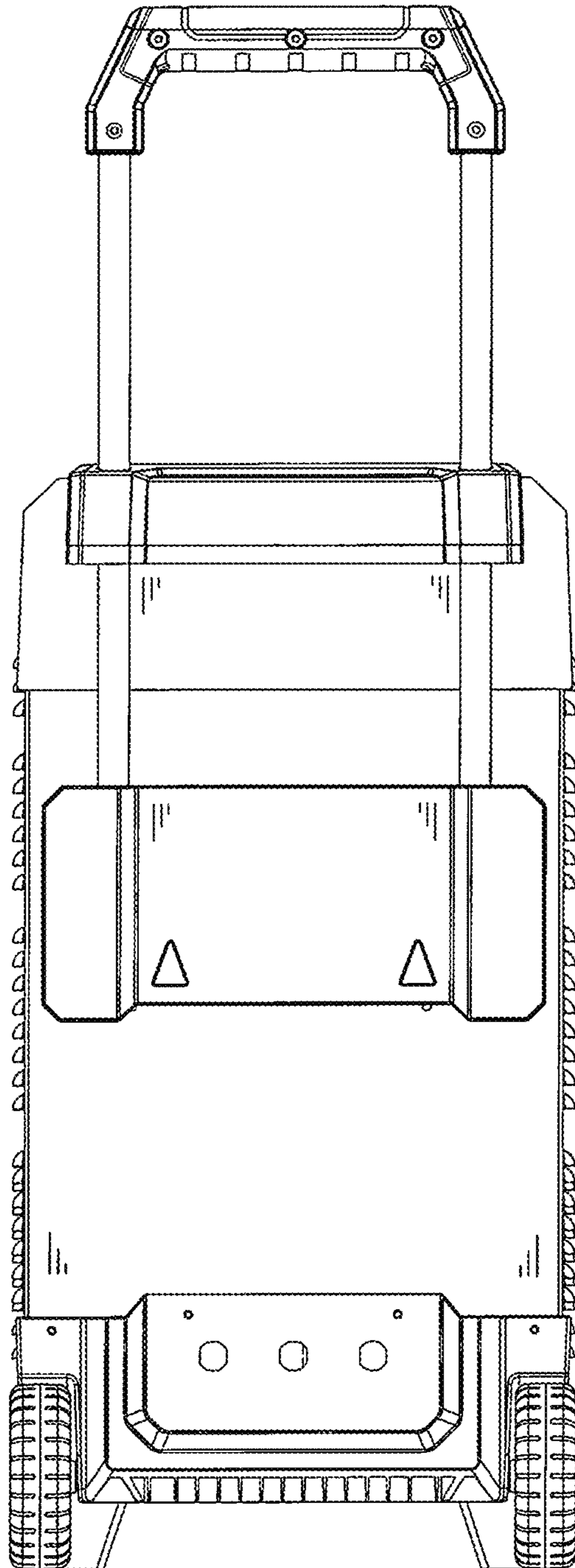


FIG. 2

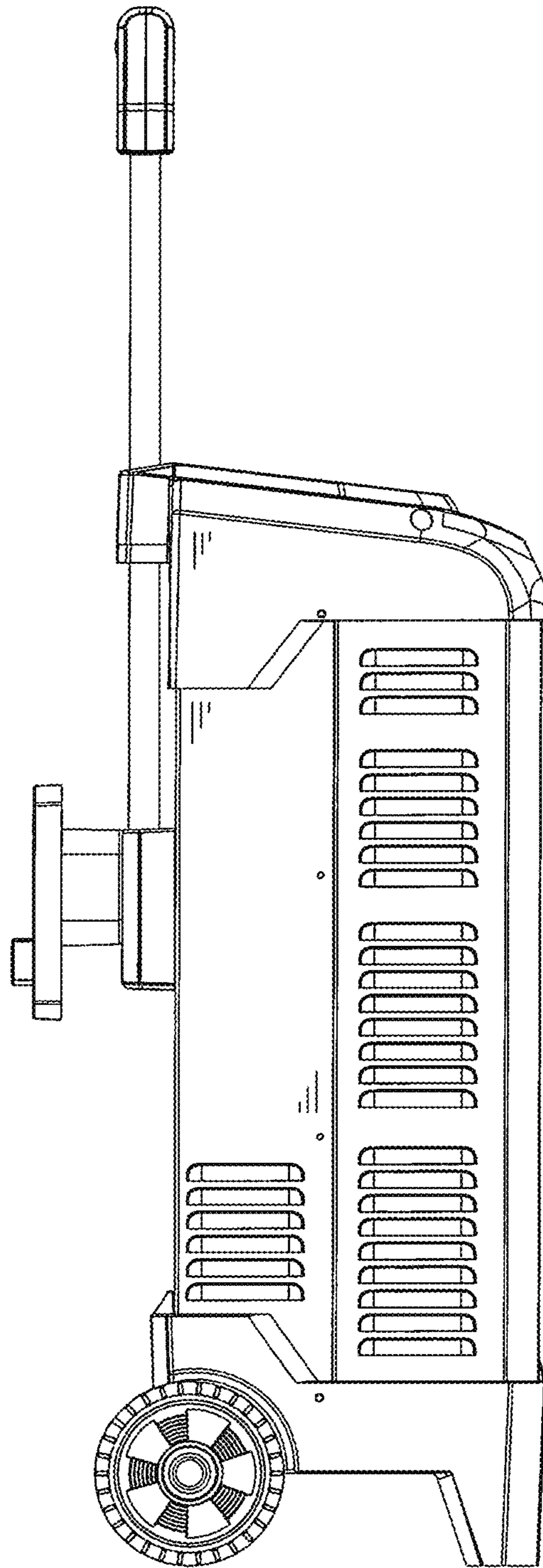


FIG. 3

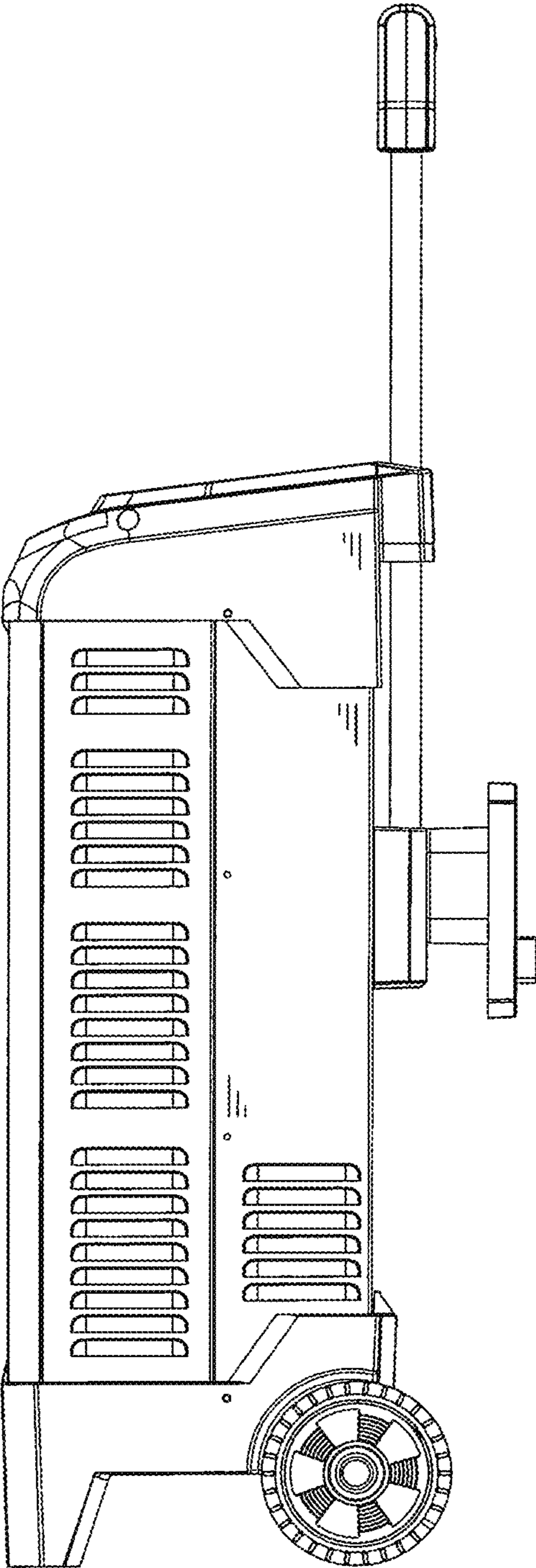


FIG. 4

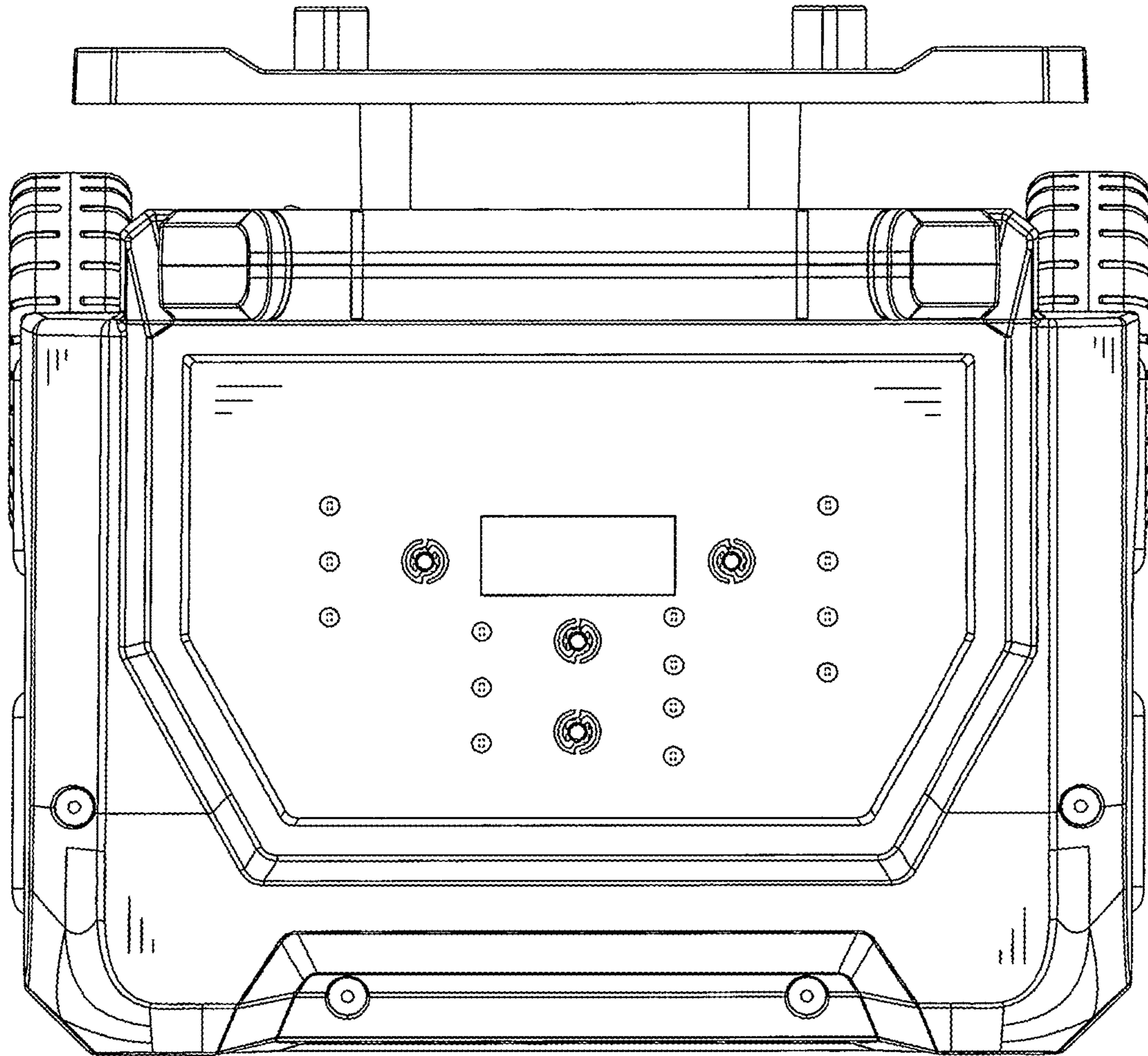


FIG. 5

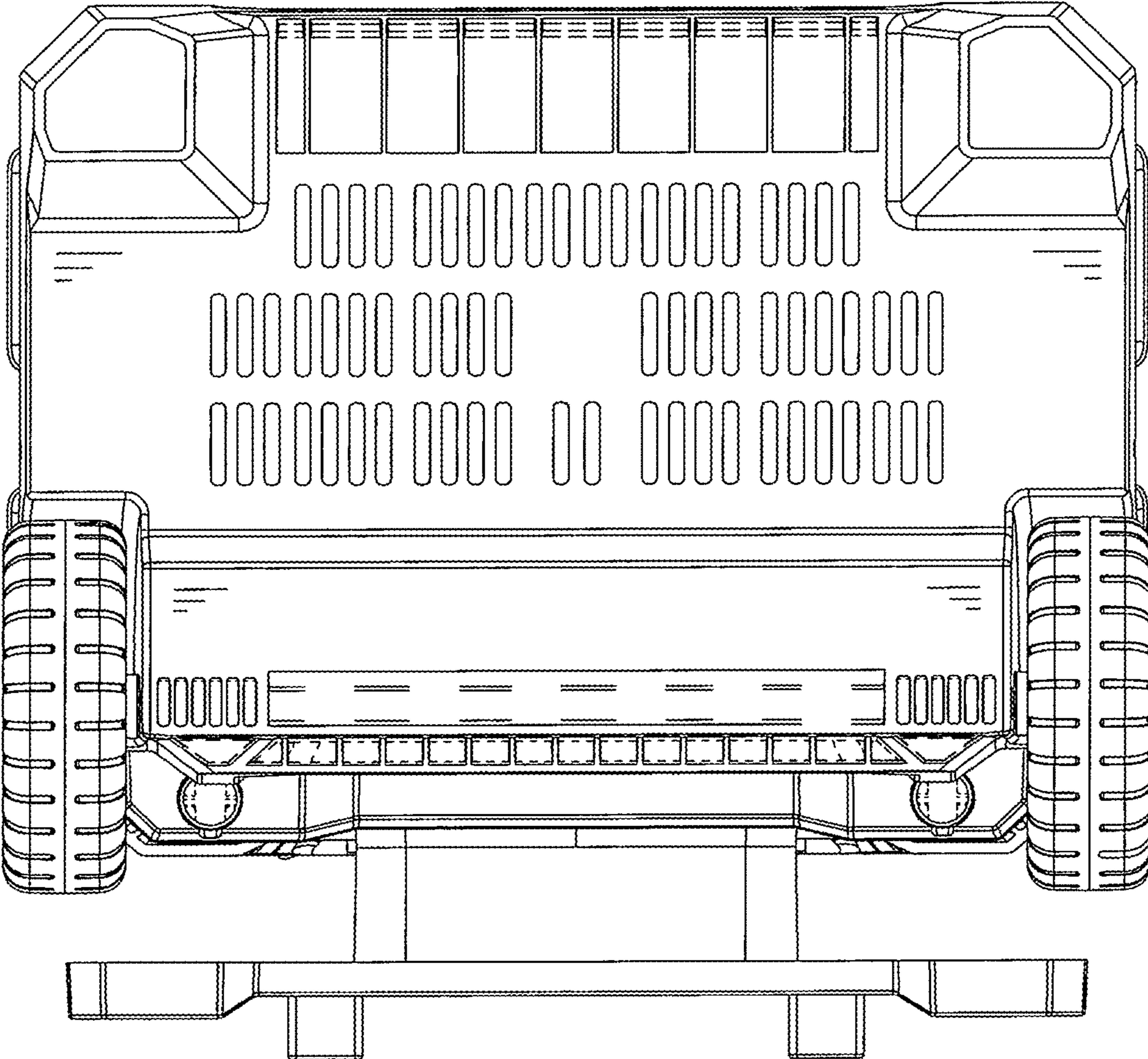


FIG. 6

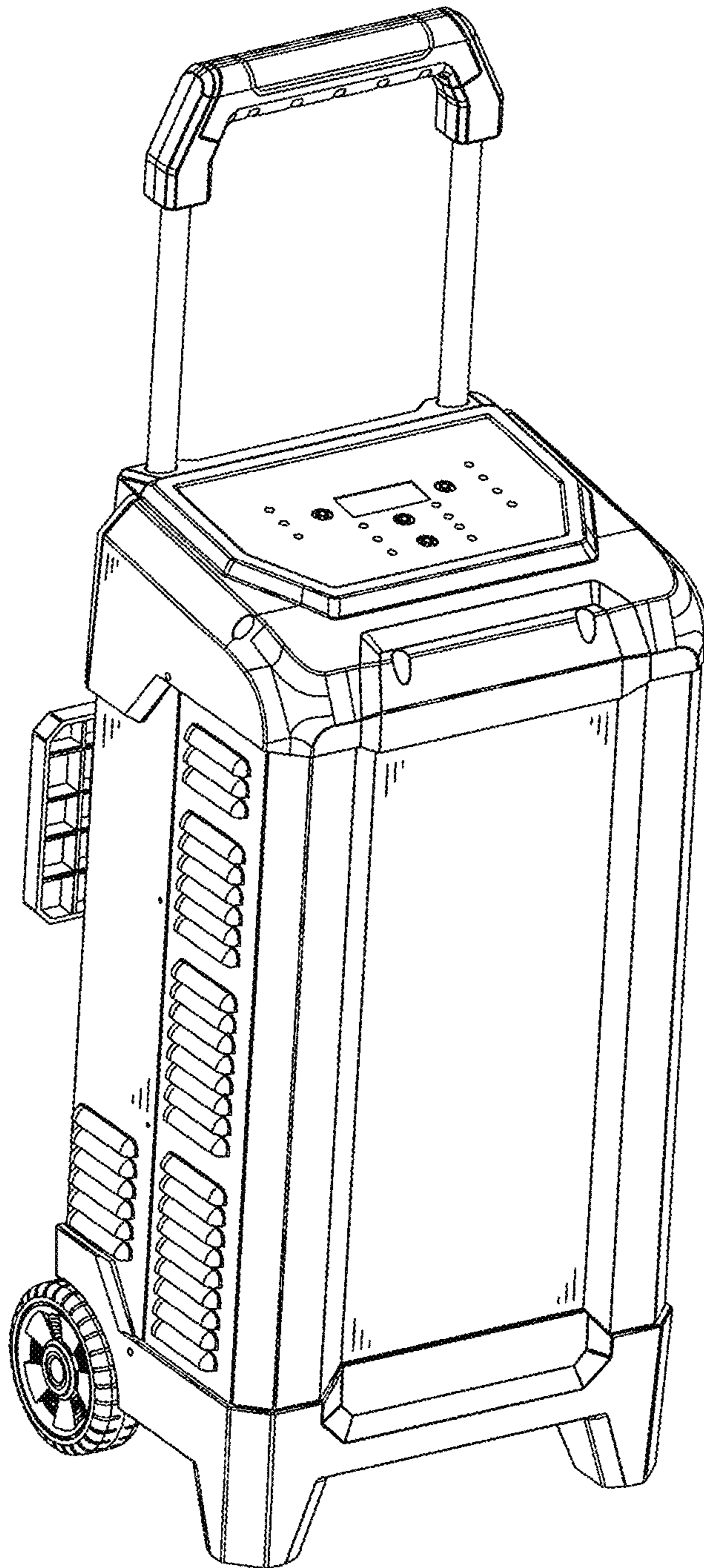


FIG. 7

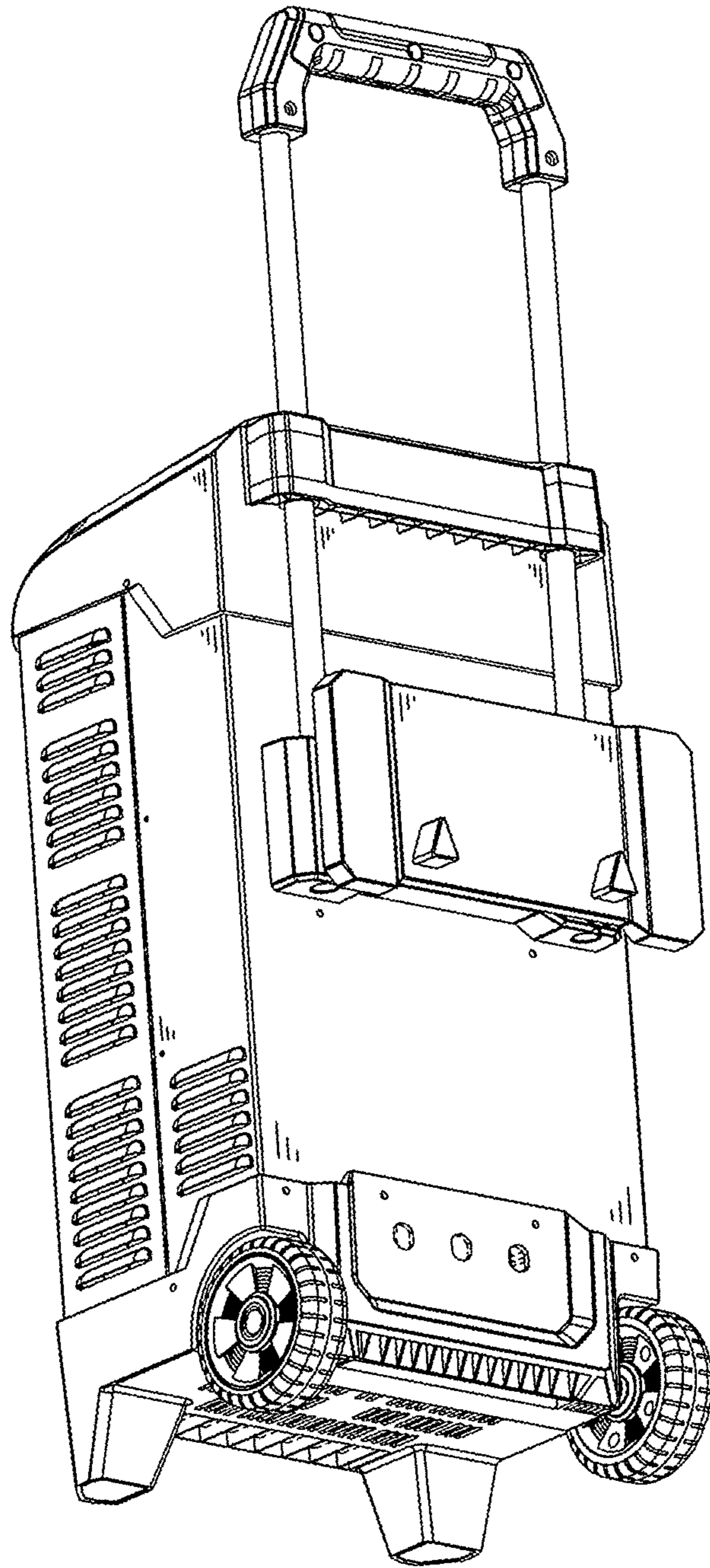


FIG. 8