



US00D870035S

(12) **United States Design Patent**
Yang et al.

(10) **Patent No.:** **US D870,035 S**

(45) **Date of Patent:** **** Dec. 17, 2019**

(54) **CHARGER**

(71) Applicant: **Ningbo Gude Electronic Technology Co., Ltd.**, Zhejiang Province (CN)

(72) Inventors: **Zhaolin Yang**, Zhejiang Province (CN); **Jianrong Zhou**, Zhejiang Province (CN); **Jun Wang**, Zhejiang Province (CN); **Shilin Wang**, Zhejiang Province (CN); **Weijun Pan**, Zhejiang Province (CN)

(**) Term: **15 Years**

(21) Appl. No.: **29/630,193**

(22) Filed: **Dec. 20, 2017**

(51) **LOC (12) Cl.** **13-02**

(52) **U.S. Cl.**
USPC **D13/107**

(58) **Field of Classification Search**
USPC D13/107–110, 118–119, 184; D14/251, D14/253, 432, 434

CPC Y02E 60/12; Y02T 90/14; Y02T 90/122; Y02T 90/128; Y02T 90/163; H02J 7/025; H02J 7/0042; H02J 7/0044; H02J 7/0045; H02J 7/0003; H02J 2001/008; H02J 3/32; H02J 3/008; H02J 7/0027; H02J 7/0013; H02J 7/0054; H02J 7/00; H01F 38/14; H01R 13/6675; H01M 2/1022; H01M 2/1055; H01M 10/44; H01M 10/46; H01M 10/425; B60L 11/182; B60L 11/1809; B60L 11/1861; B60R 16/03

See application file for complete search history.

(56) **References Cited**

U.S. PATENT DOCUMENTS

D575,225 S * 8/2008 Ahlgren D13/107
D580,853 S * 11/2008 Ahlgren D13/107

D746,770 S * 1/2016 Nook D13/103
D788,032 S * 5/2017 Yang D13/107
D809,454 S * 2/2018 Zhou D13/103
D814,406 S * 4/2018 Yang D13/107
D814,407 S * 4/2018 Yang D13/107
D814,408 S * 4/2018 Yang D13/107
D814,409 S * 4/2018 Yang D13/107
D816,024 S * 4/2018 Yang D13/107
D817,873 S * 5/2018 Inskeep D13/107
D821,306 S * 6/2018 Liu D13/107
D821,971 S * 7/2018 Yang D13/107
D836,067 S * 12/2018 Tschopp D13/107

* cited by examiner

Primary Examiner — Rosemary K Tarcza

Assistant Examiner — Nathaniel D. Buckner

(74) *Attorney, Agent, or Firm* — Prakash Nama; Global IP Services, PLLC

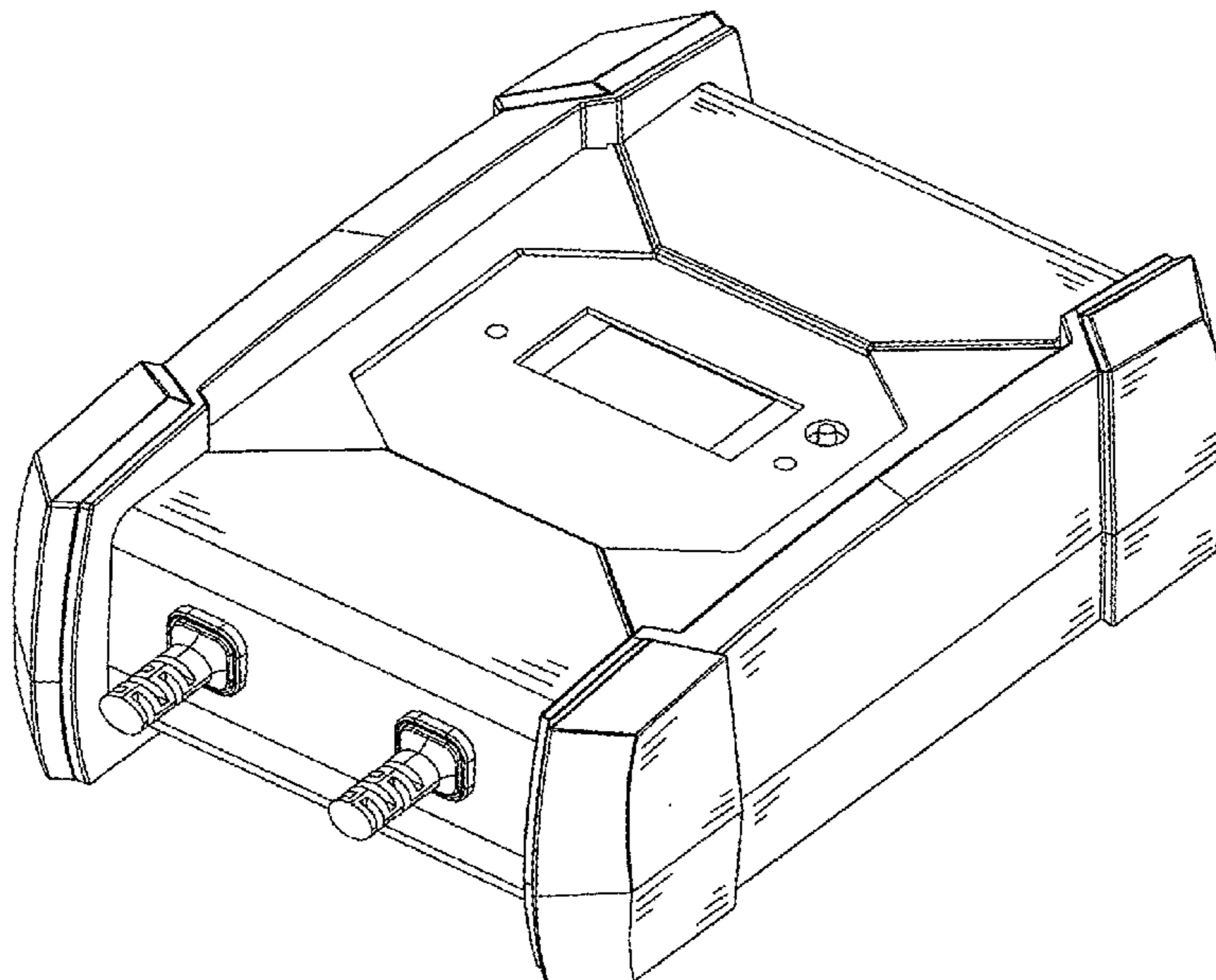
(57) **CLAIM**

The ornamental design for a charger, as shown and described.

DESCRIPTION

FIG. 1 is a front elevational view of a charger showing our new design;
FIG. 2 is a rear elevational view thereof;
FIG. 3 is a left side view thereof;
FIG. 4 is a right side view thereof;
FIG. 5 is a top plan view thereof;
FIG. 6 is a bottom plan view thereof;
FIG. 7 is a perspective view thereof; and,
FIG. 8 is another perspective view thereof.
The broken line shown in the drawings depict portions of the charger that form no part of the claimed design.

1 Claim, 6 Drawing Sheets



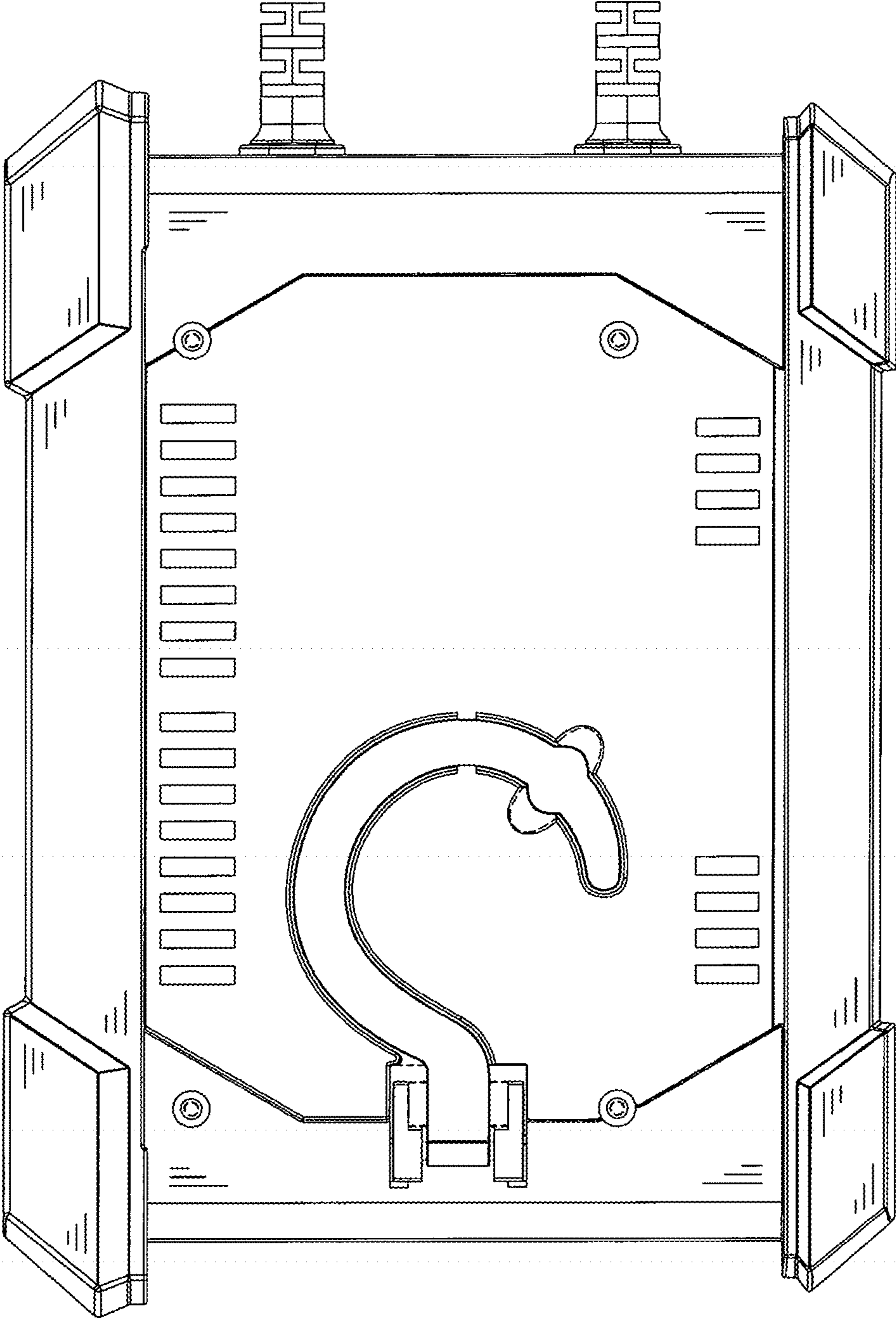


FIG. 1

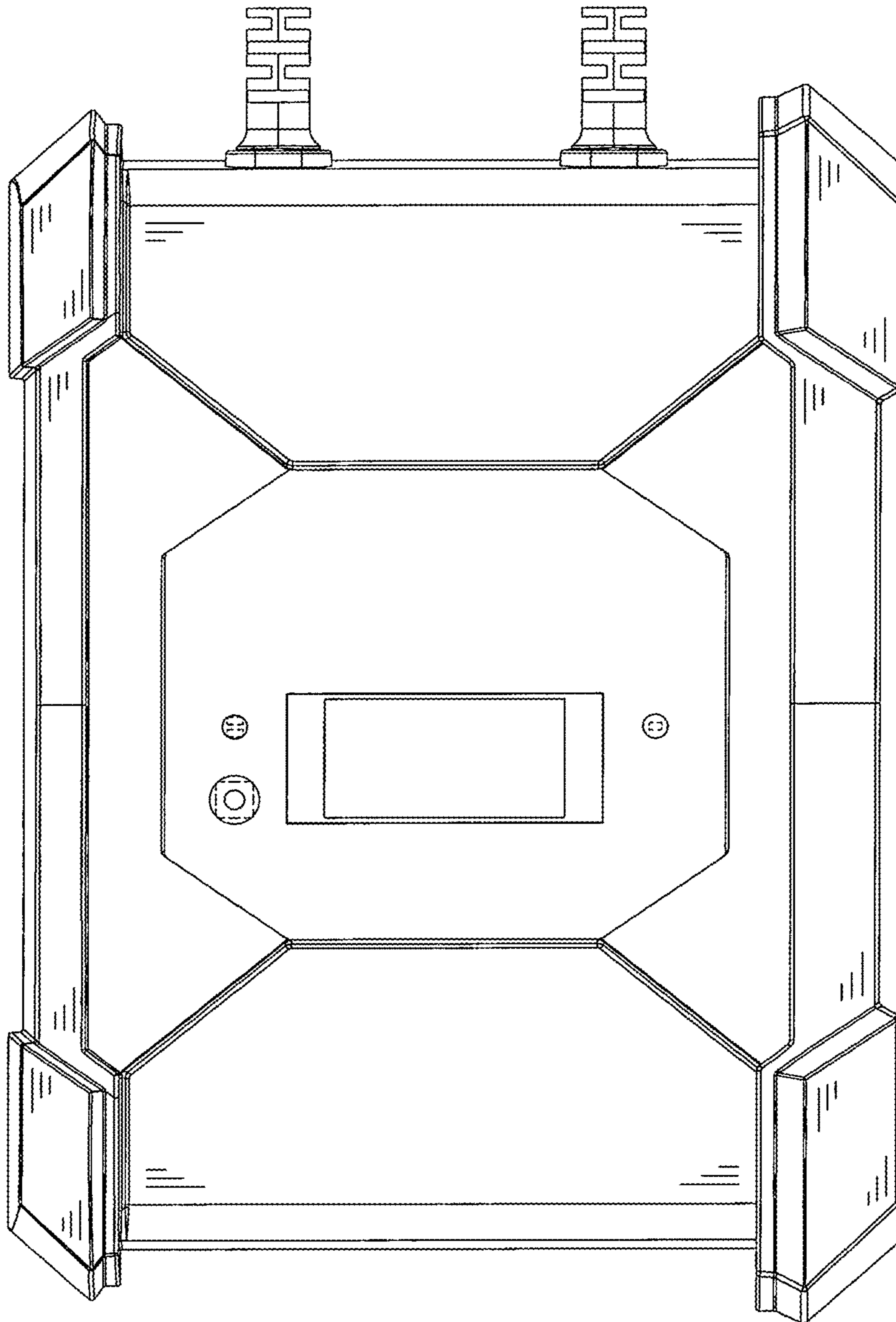


FIG. 2

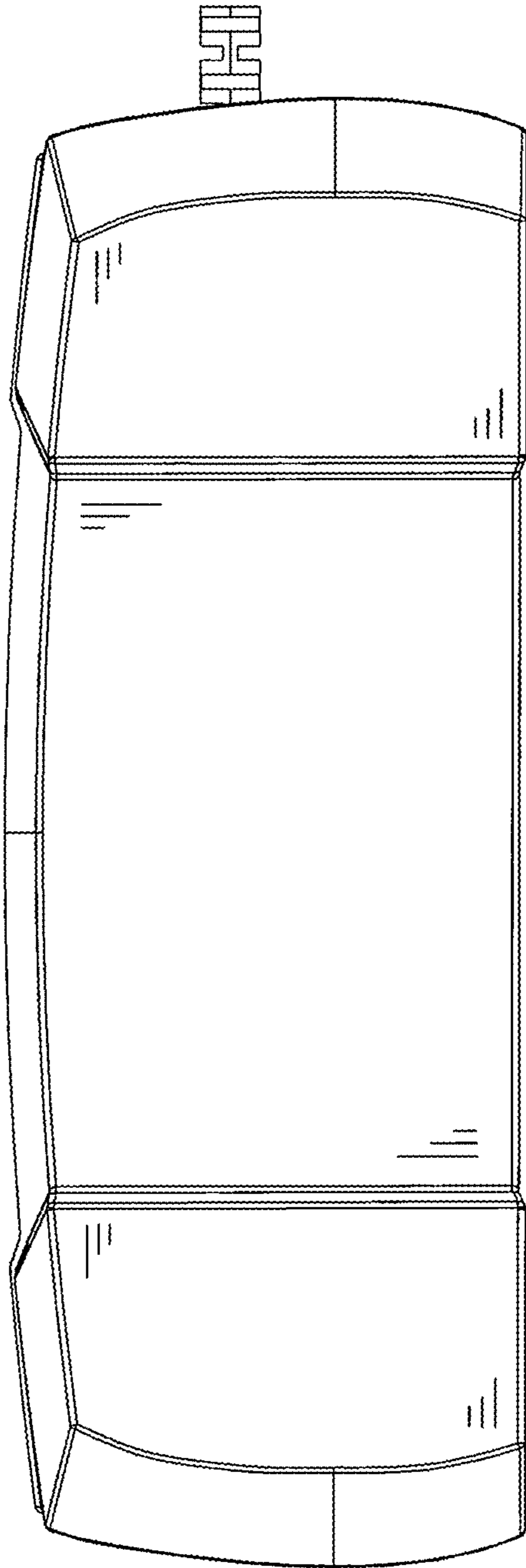


FIG. 3

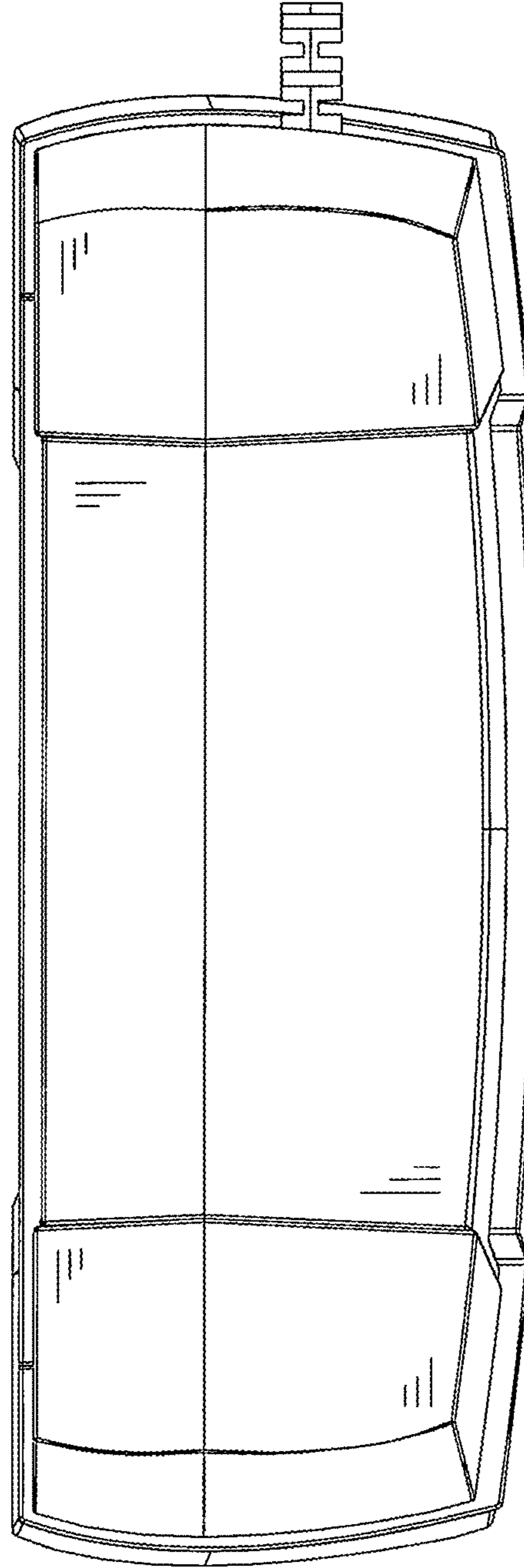


FIG. 4

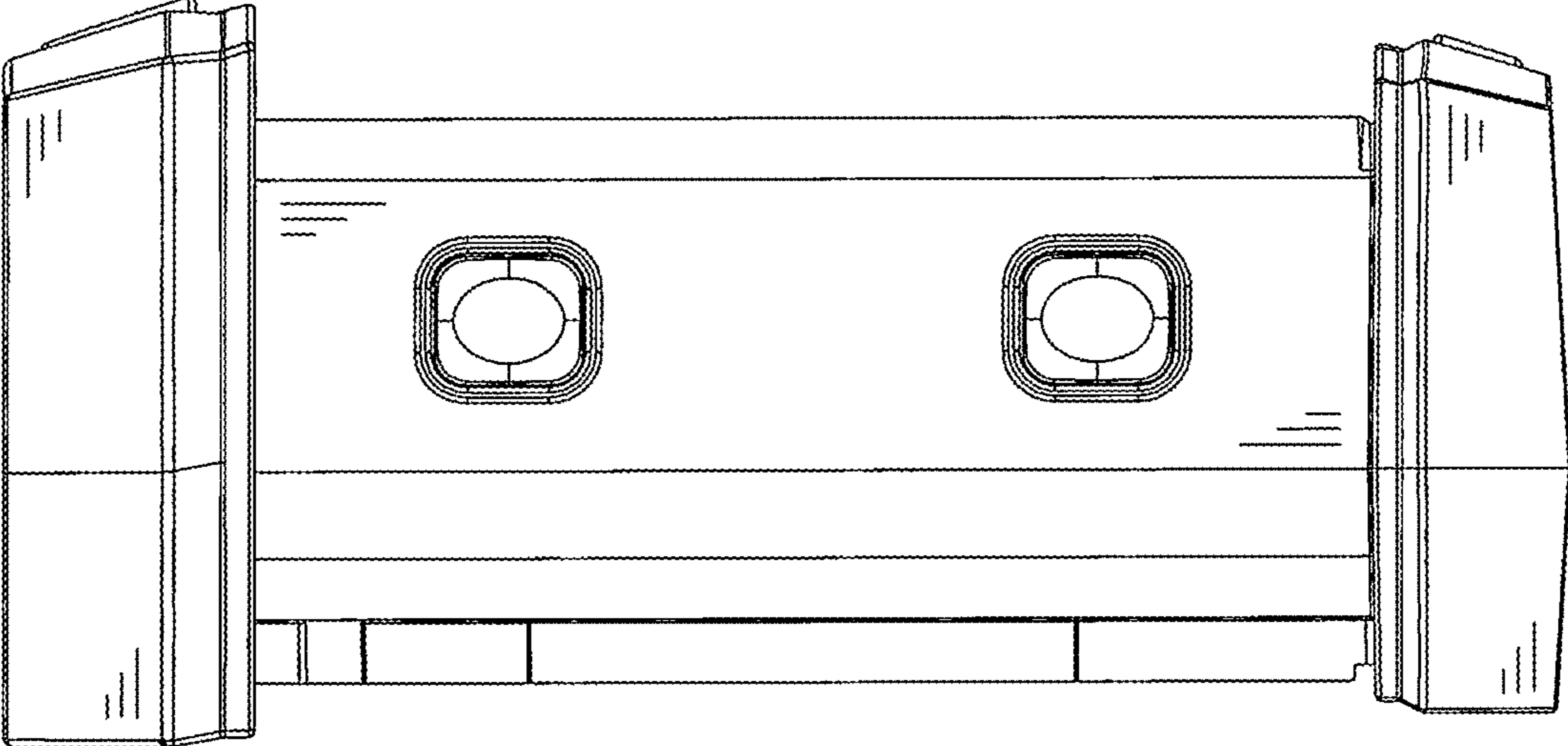


FIG. 5

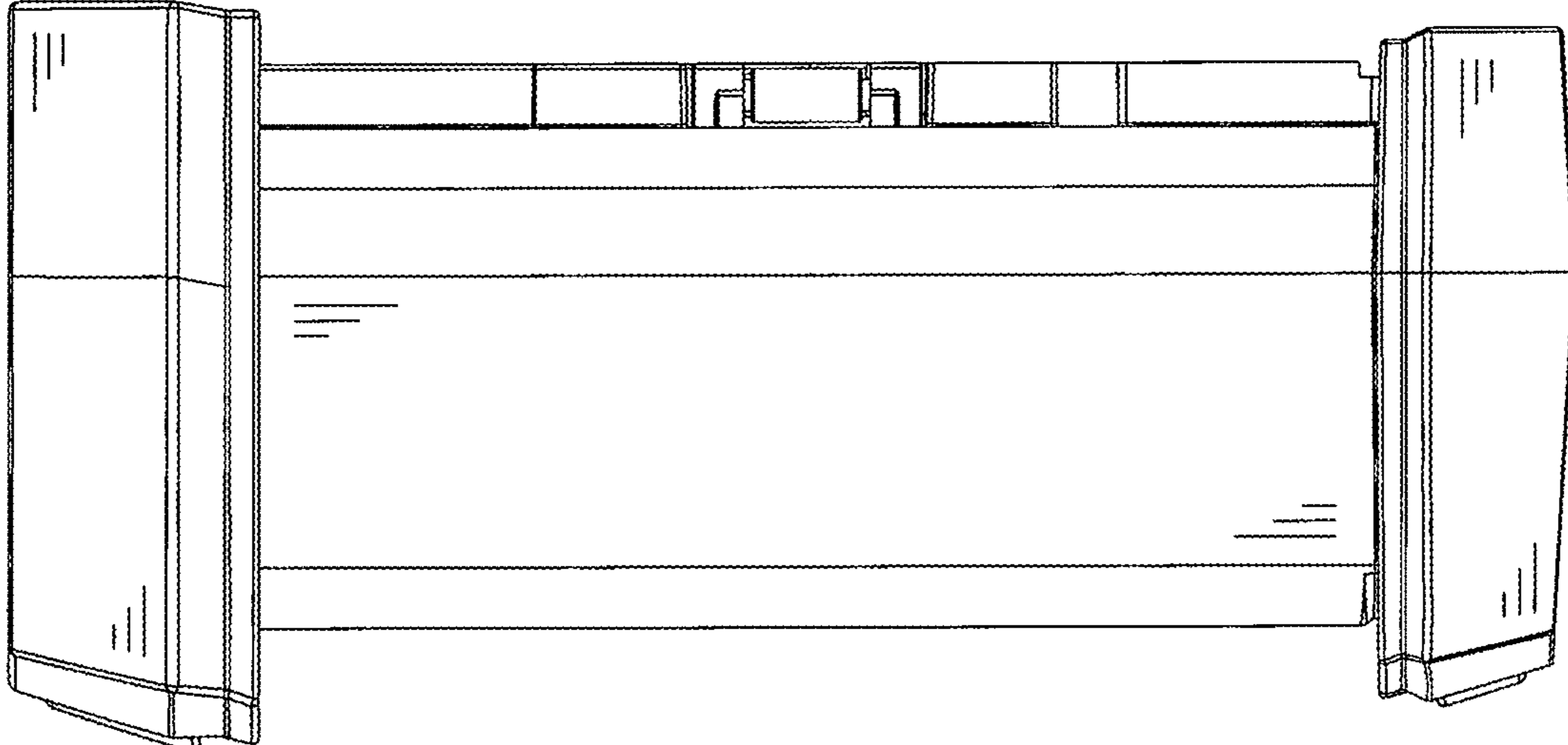


FIG. 6

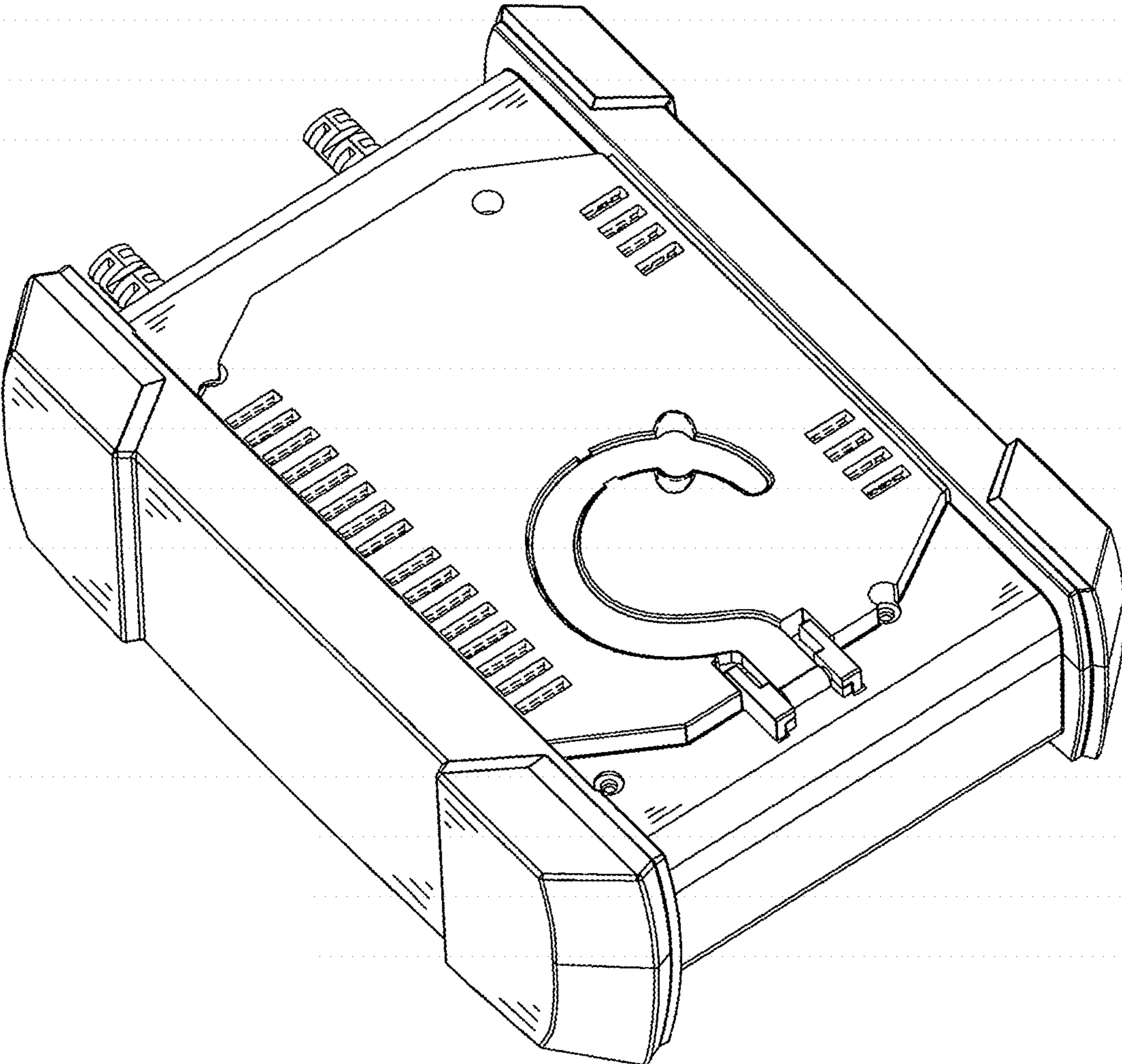


FIG. 7

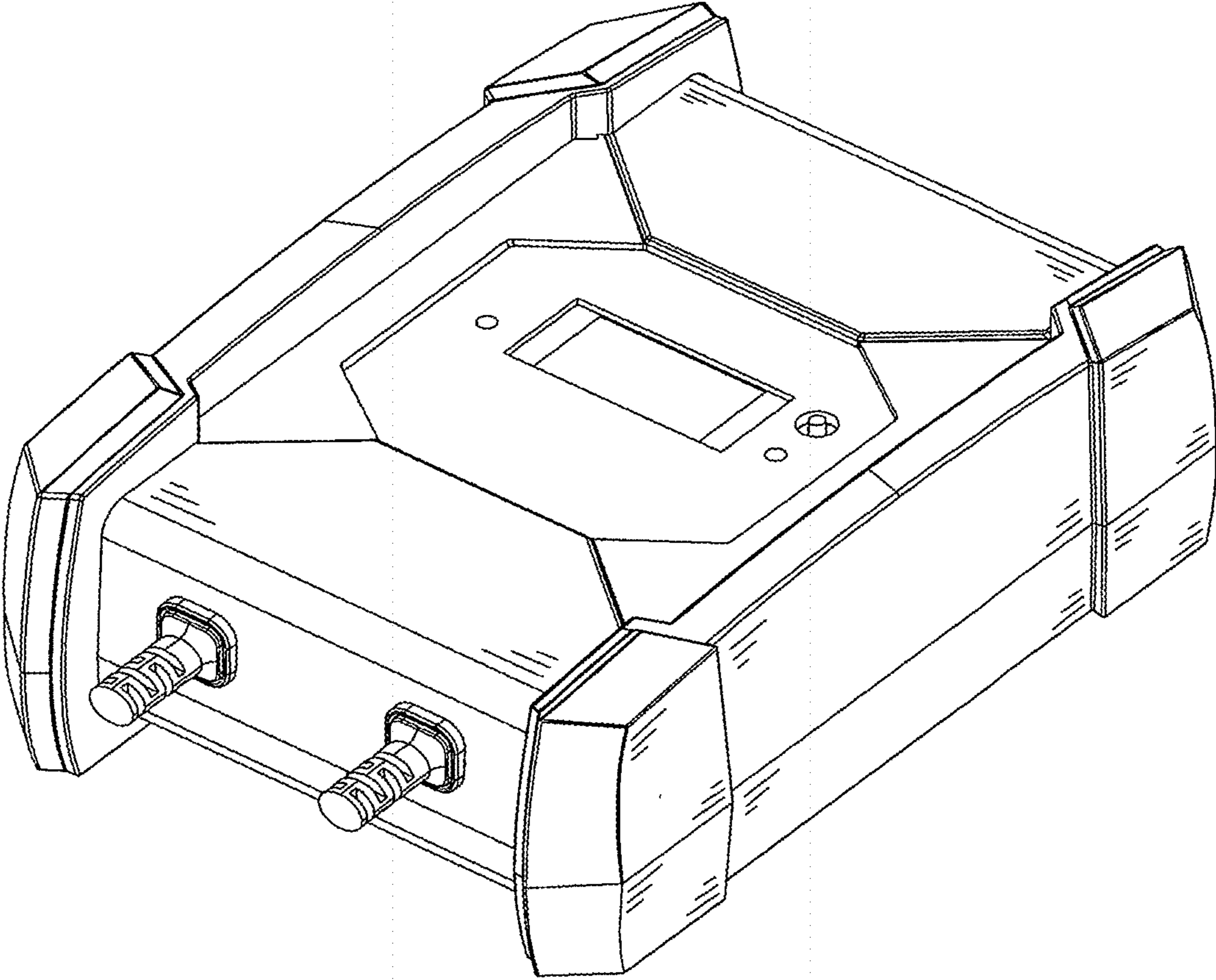


FIG. 8