

US00D870028S

(12) **United States Design Patent**
Wang et al.

(10) **Patent No.:** **US D870,028 S**

(45) **Date of Patent:** **** Dec. 17, 2019**

(54) **TIRE**

(71) Applicant: **AEOLUS TYRE CO., LTD.**, Henan (CN)

(72) Inventors: **Qingnian Wang**, Henan (CN);
Qianqing Liang, Henan (CN);
Yongliang Zheng, Henan (CN);
Chengli Lu, Henan (CN); **Zhiyuan He**,
Henan (CN); **Yong Liu**, Henan (CN)

(73) Assignee: **AEOLUS TYRE CO., LTD.**, Henan (CN)

(**) Term: **15 Years**

(21) Appl. No.: **29/636,531**

(22) Filed: **Feb. 8, 2018**

(30) **Foreign Application Priority Data**

Oct. 27, 2017 (CN) 2017 3 0519397

(51) **LOC (12) Cl.** **12-15**

(52) **U.S. Cl.**
USPC **D12/590**

(58) **Field of Classification Search**
USPC D12/586, 587, 588, 589, 590, 594, 595,
D12/600, 601, 900
CPC B60C 11/032; B60C 11/0388
See application file for complete search history.

(56) **References Cited**

U.S. PATENT DOCUMENTS

D380,995 S *	7/1997	Grosskopf	B60C 11/042
				D12/588
D385,235 S *	10/1997	Young	D12/588
D390,170 S *	2/1998	Stone	D12/590
D397,647 S *	9/1998	Young	D12/595

D451,860 S *	12/2001	Schuster	D12/600
D484,456 S *	12/2003	Irimiya	D12/590
D500,287 S *	12/2004	Gojo	D12/586
D605,108 S *	12/2009	Brown	D12/588
D608,729 S *	1/2010	Brown	D12/600
D656,891 S *	4/2012	Yokomakura	D12/588
D668,206 S *	10/2012	Moore	D12/588
D746,765 S *	1/2016	Hutz	D12/588
D780,101 S *	2/2017	Brown	D12/590
D785,555 S *	5/2017	Bacher	D12/588
D843,313 S *	3/2019	Cai	D12/590
2008/0099115 A1 *	5/2008	Ohara	B60C 11/042
				152/209.19

* cited by examiner

Primary Examiner — Robert M. Spear
(74) *Attorney, Agent, or Firm* — JCIPRNET

(57) **CLAIM**

The ornamental design for a tire, as shown and described.

DESCRIPTION

FIG. 1 is a perspective view of a tire showing our new design;

FIG. 2 is a front view thereof, the rear, top and bottom view being identical thereto;

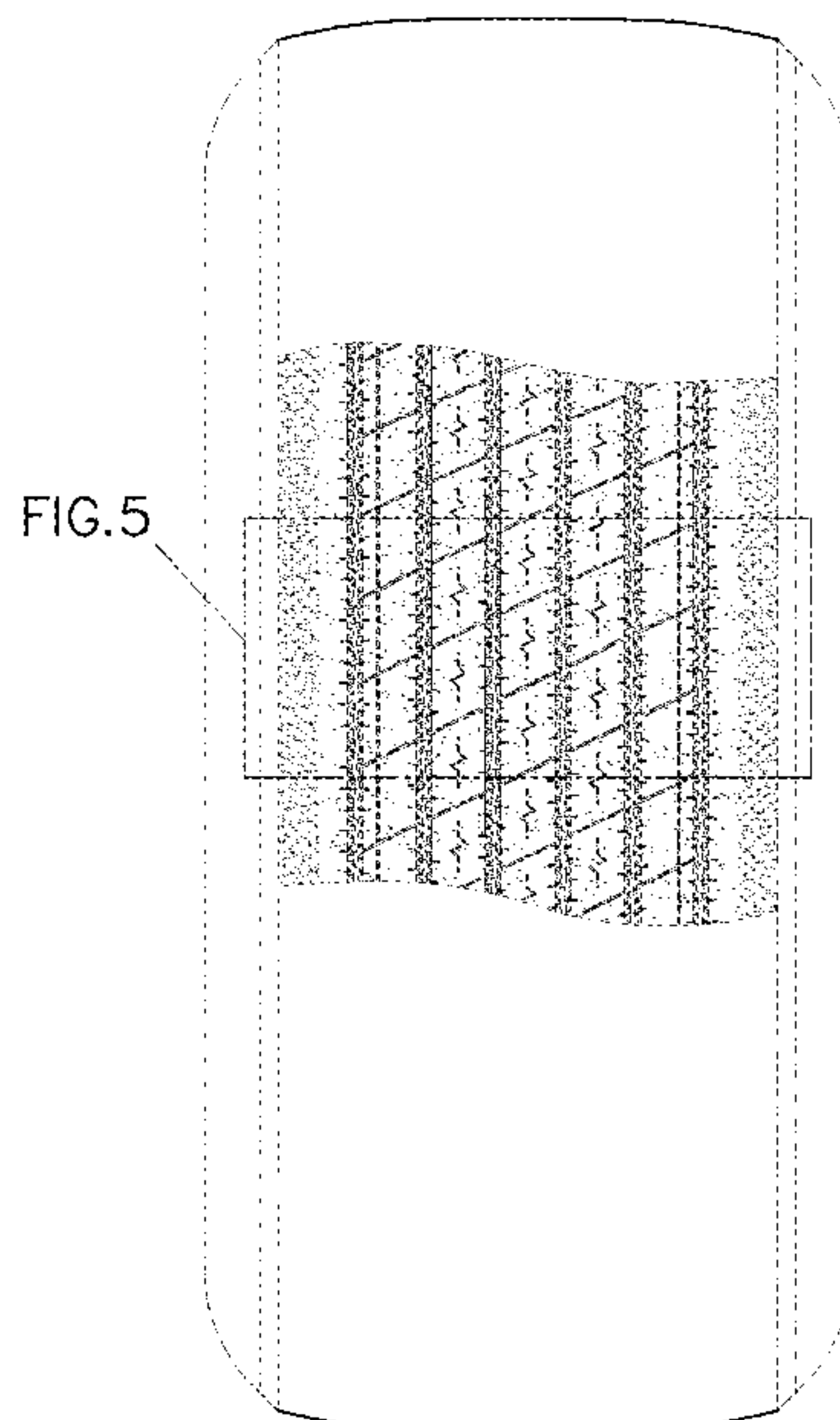
FIG. 3 is a right side view thereof, the left side view being identical thereto;

FIG. 4 is an enlarged view of the indicated portion of FIG. 1; and,

FIG. 5 is an enlarged view of the indicated portion of FIG. 2.

The dashed broken lines illustrate portions of the tire and form no part of the claimed design. The dot-dashed broken lines define the bounds of the claimed design and form no part thereof. The tire pattern is understood to repeat uniformly throughout the circumference of the tire, as shown schematically in solid lines.

1 Claim, 5 Drawing Sheets



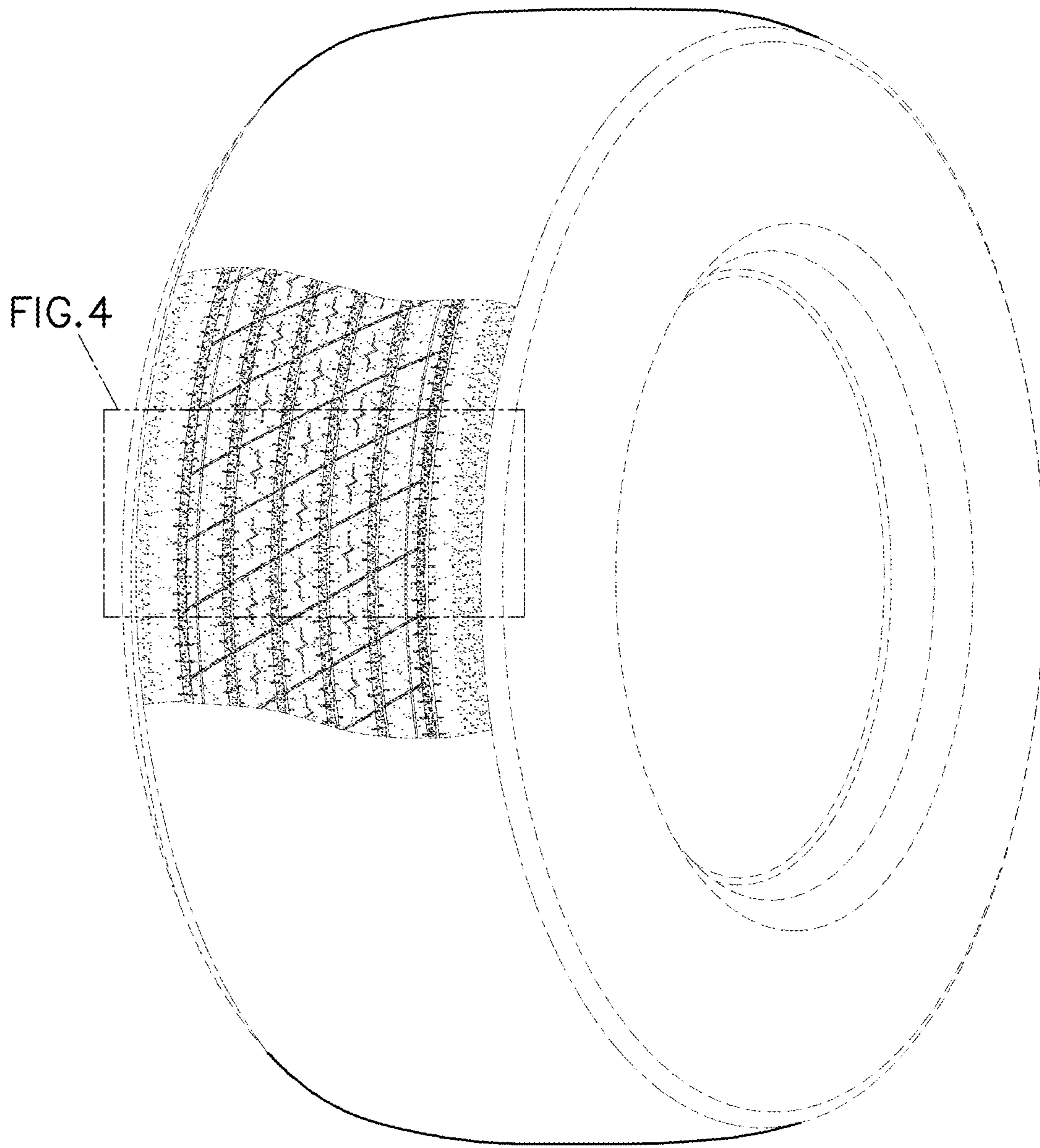


FIG. 1

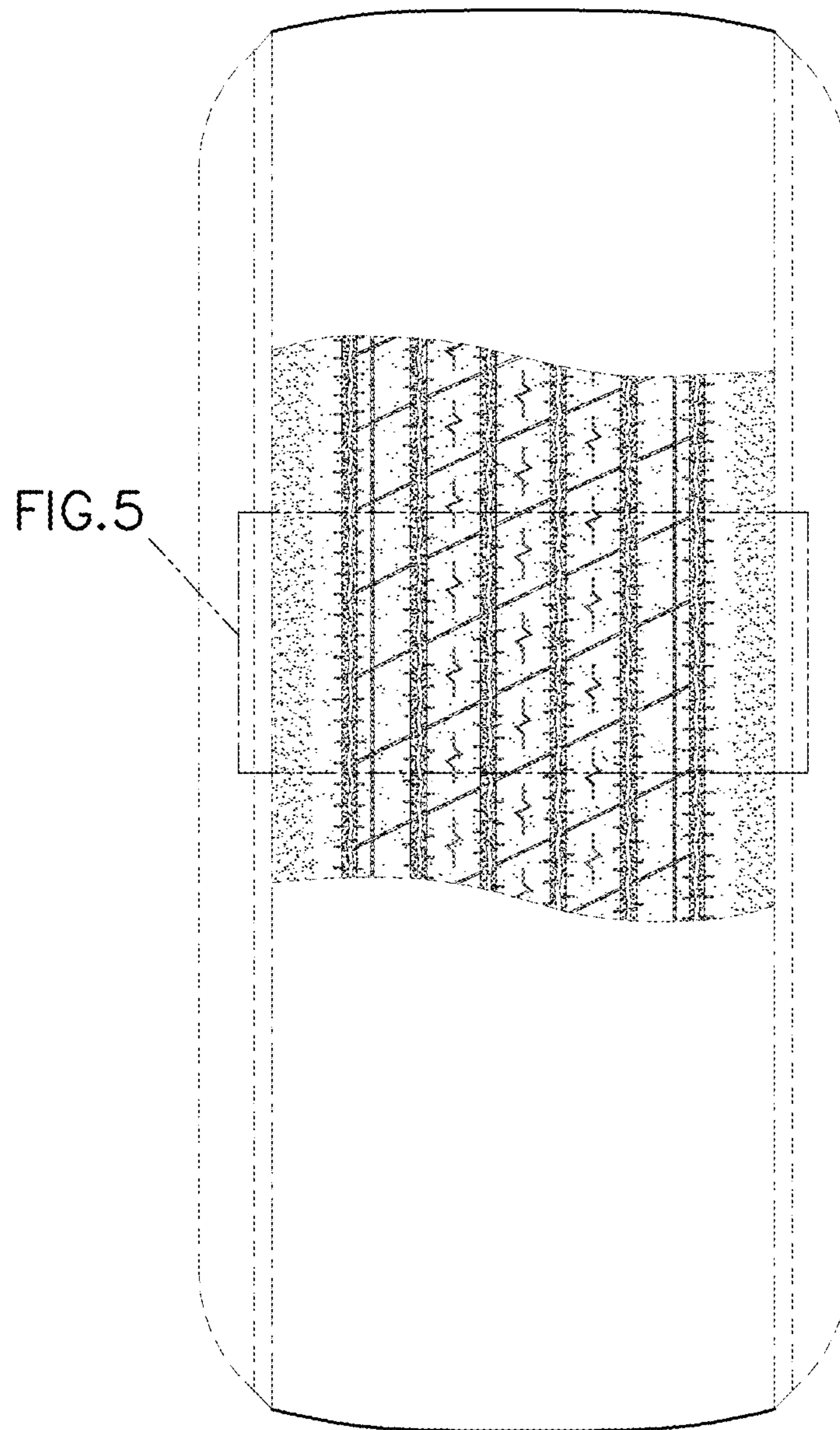


FIG. 2

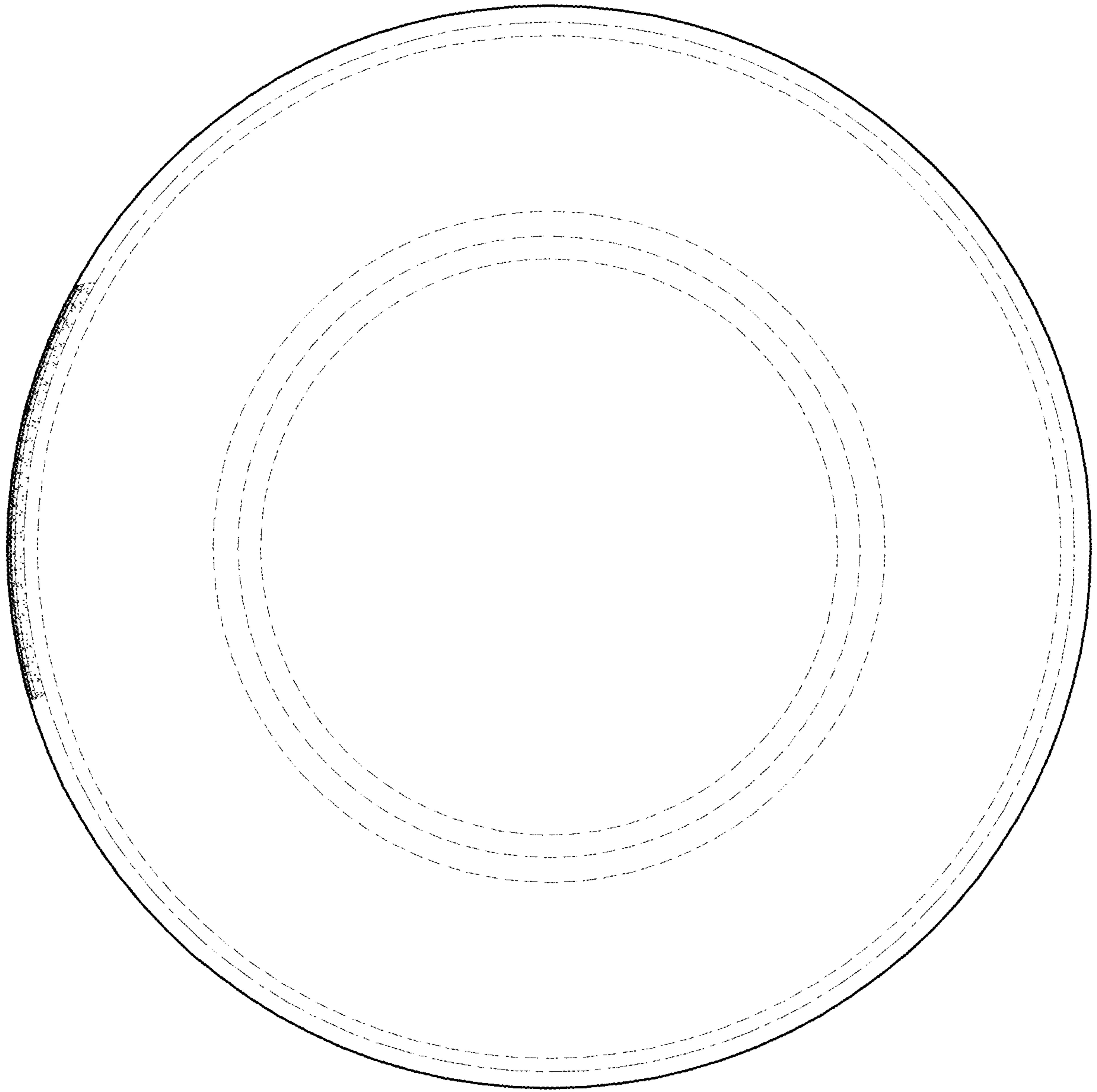


FIG. 3

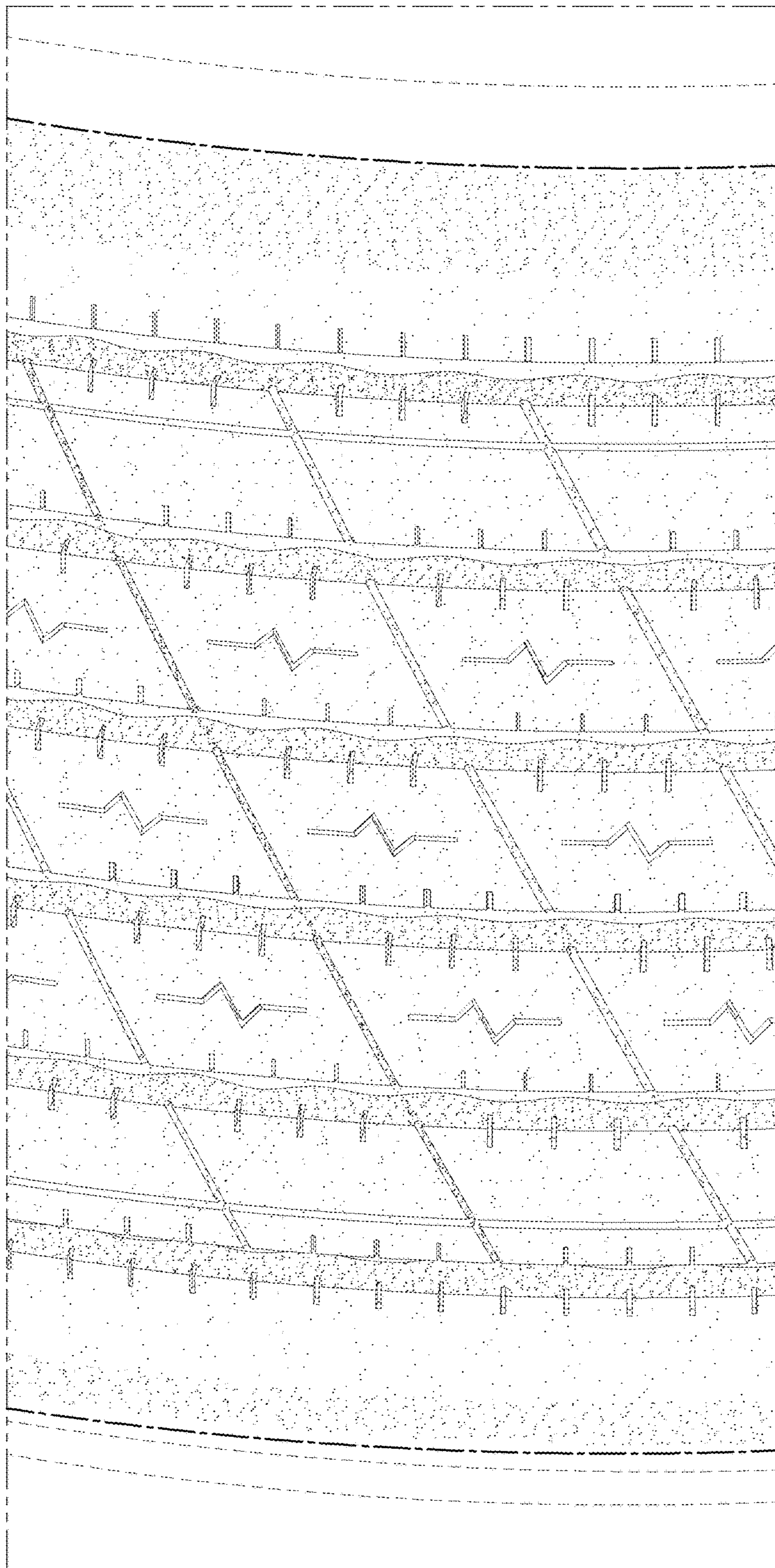


FIG. 4

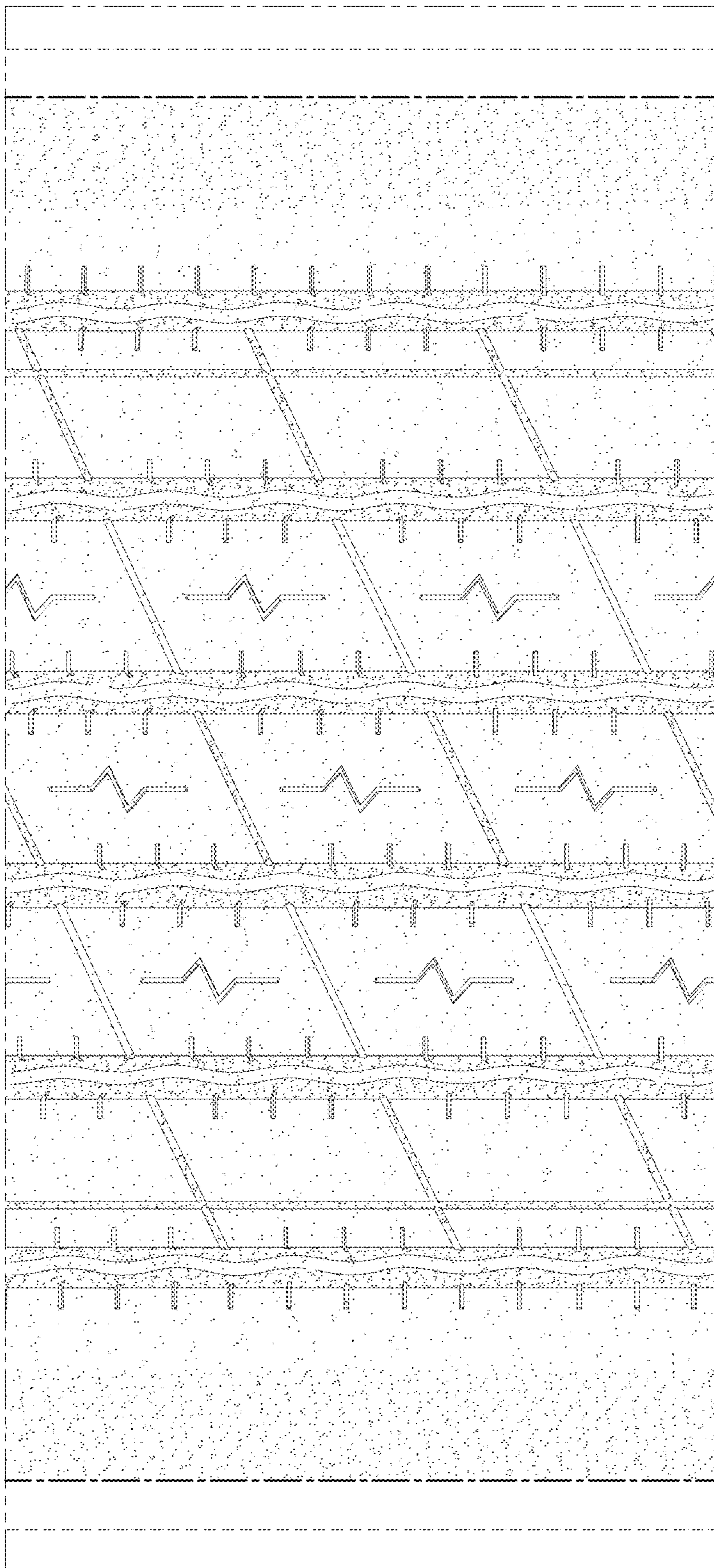


FIG. 5