



US00D870019S

(12) **United States Design Patent**
Chang

(10) **Patent No.:** **US D870,019 S**

(45) **Date of Patent:** **** Dec. 17, 2019**

(54) **ROLLABLE SCREEN AND REMOTER CONTAINER**

(71) Applicant: **Michael Chau-Lun Chang**, Taipei (TW)

(72) Inventor: **Michael Chau-Lun Chang**, Taipei (TW)

(**) Term: **15 Years**

(21) Appl. No.: **29/657,852**

(22) Filed: **Jul. 26, 2018**

(51) **LOC (12) Cl.** **12-16**

(52) **U.S. Cl.**
USPC **D12/403**

(58) **Field of Classification Search**
USPC D12/401-405; D6/610, 611, 596, D6/601-603, 615, 617; D7/332, 334-337
CPC ... B60R 5/045; B60R 5/04; B60P 7/04; B65D 85/68; B65D 31/16; B65D 33/02
See application file for complete search history.

(56) **References Cited**

U.S. PATENT DOCUMENTS

D339,781 S * 9/1993 Hassan D12/403
D355,404 S * 2/1995 Duran D12/403
D355,405 S * 2/1995 Sligh D12/403

D445,396 S * 7/2001 Wood D12/403
D669,838 S * 10/2012 Valenta D12/403
D691,941 S * 10/2013 Knight D12/403
D735,634 S * 8/2015 Taylor D12/403
D780,088 S * 2/2017 Gholston D12/403
D835,027 S * 12/2018 Kim D12/403

* cited by examiner

Primary Examiner — Katrina A Betton

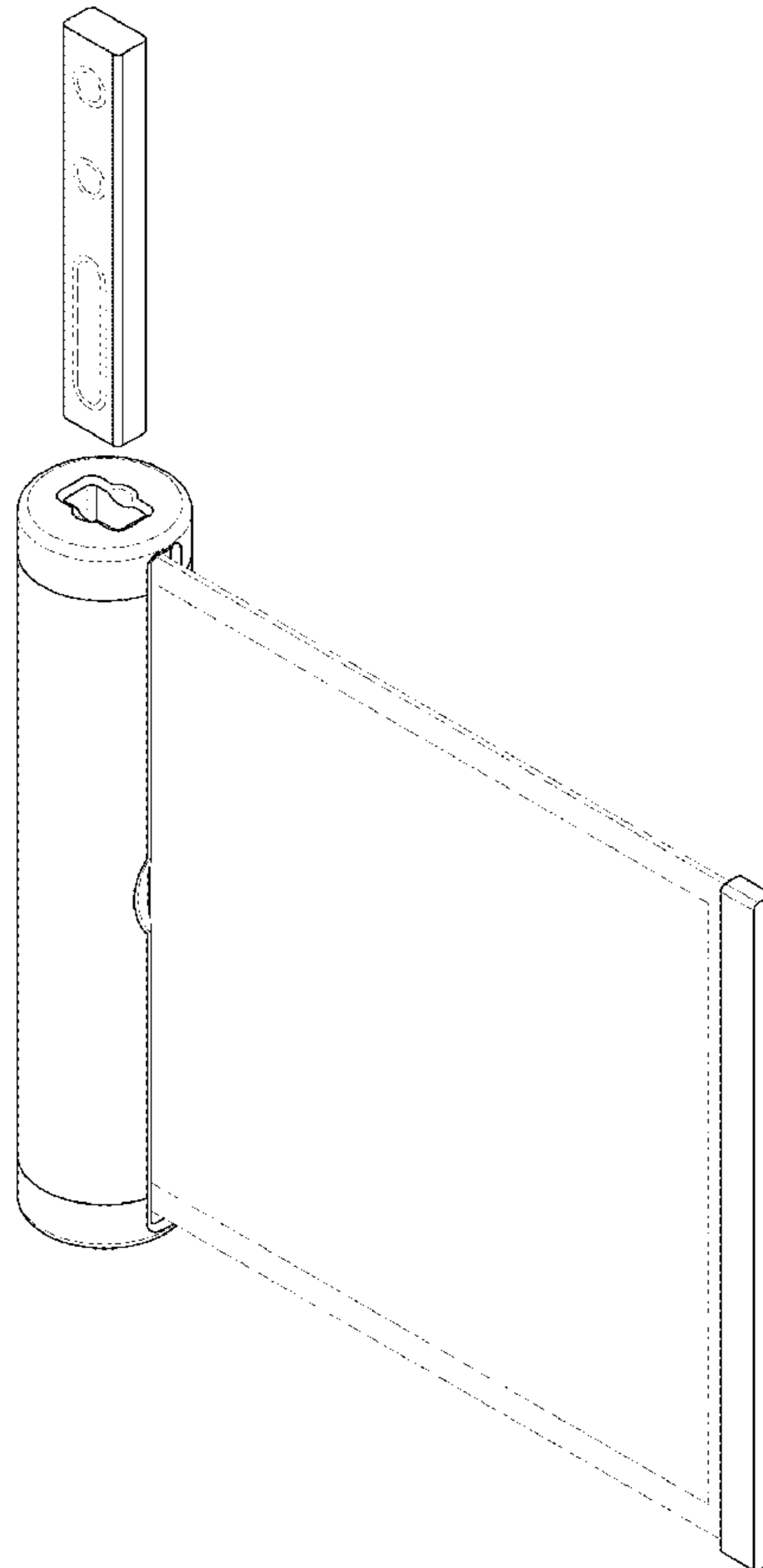
(57) **CLAIM**

The ornamental design for a rollable screen and remoter container, as shown and described.

DESCRIPTION

FIG. 1 is a front, top perspective view of rollable screen and remoter container showing my new design;
FIG. 2 is a front elevation view thereof;
FIG. 3 is a rear elevation view thereof;
FIG. 4 is a left side view thereof;
FIG. 5 is a right side view thereof;
FIG. 6 is a top plan view thereof;
FIG. 7 is a bottom plan view thereof; and,
FIG. 8 is a an illustration view of the rollable screen and remoter container, in which the broken line screen and remoter portion of the figure drawings is included to show unclaimed subject matter only and forms no part of the claimed design;
The broken line portion of the figure drawings is included to show unclaimed subject matter only and forms no part of the claimed design.

1 Claim, 8 Drawing Sheets



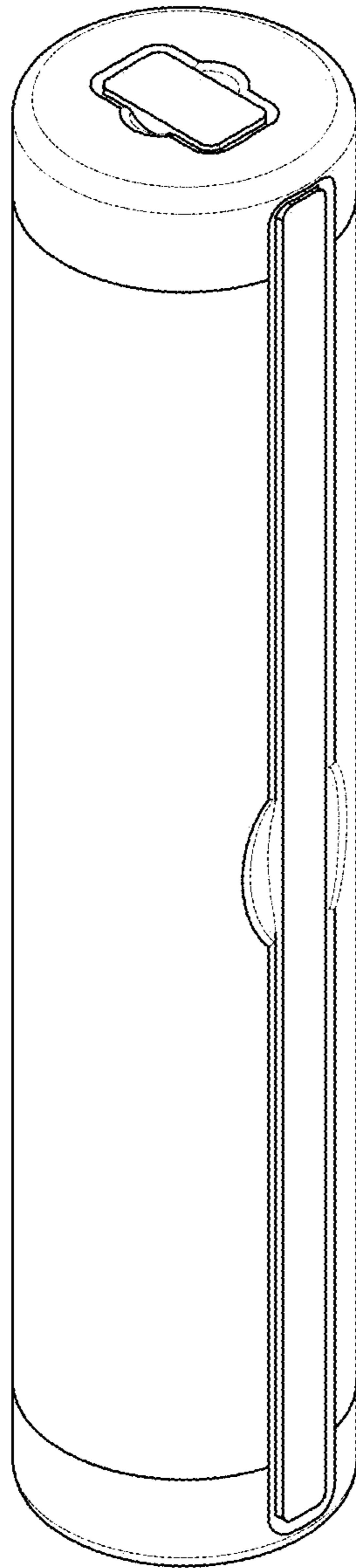


FIG. 1

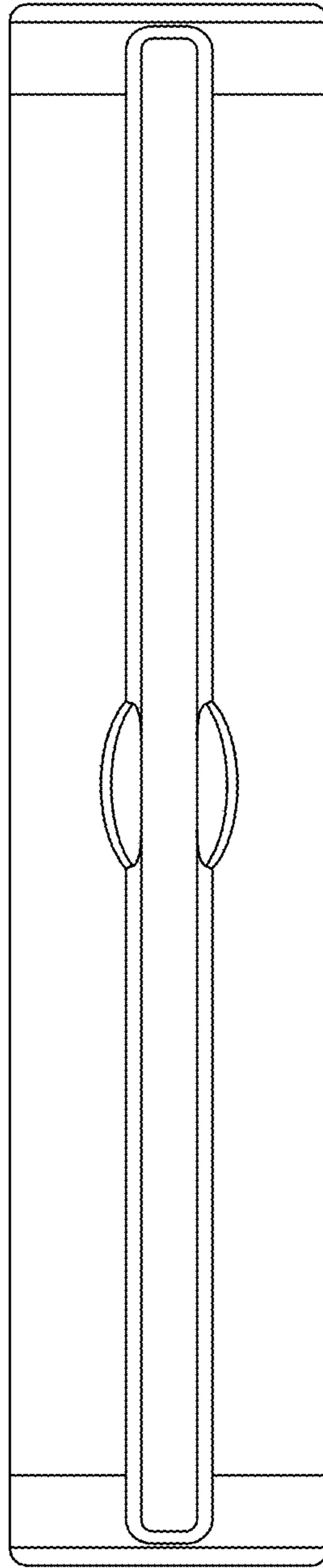


FIG. 2

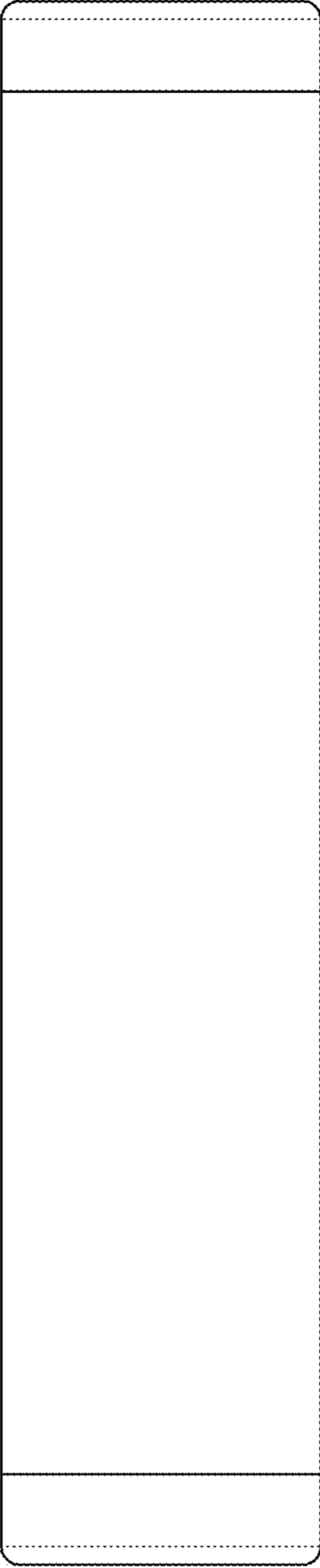


FIG. 3

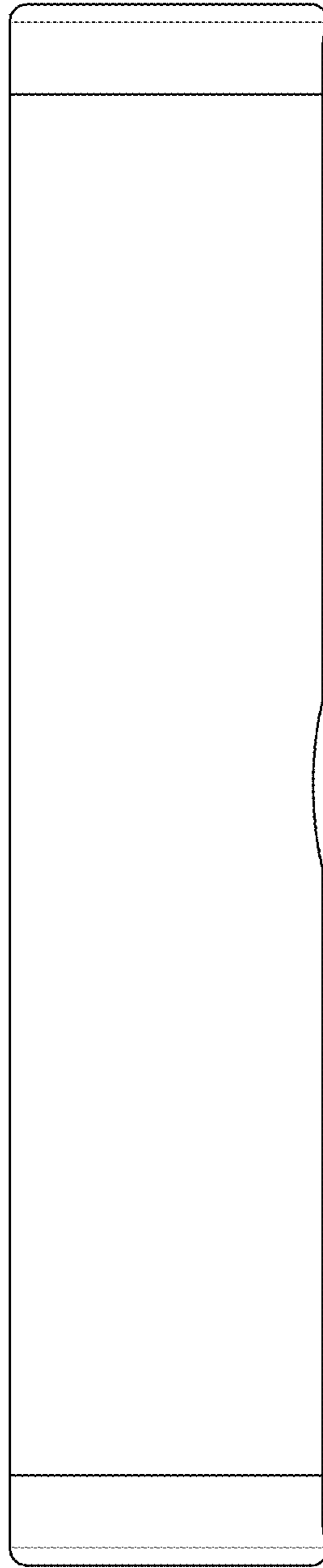


FIG. 4

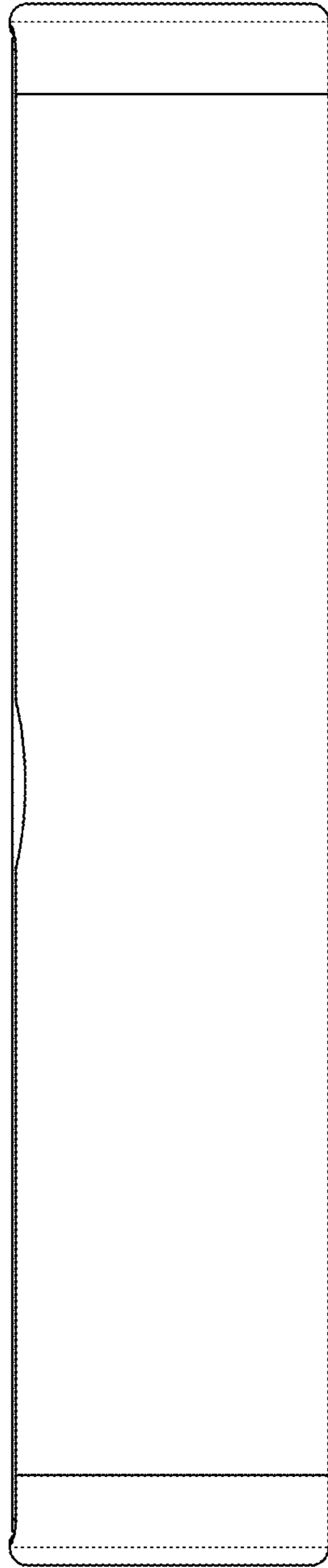


FIG. 5

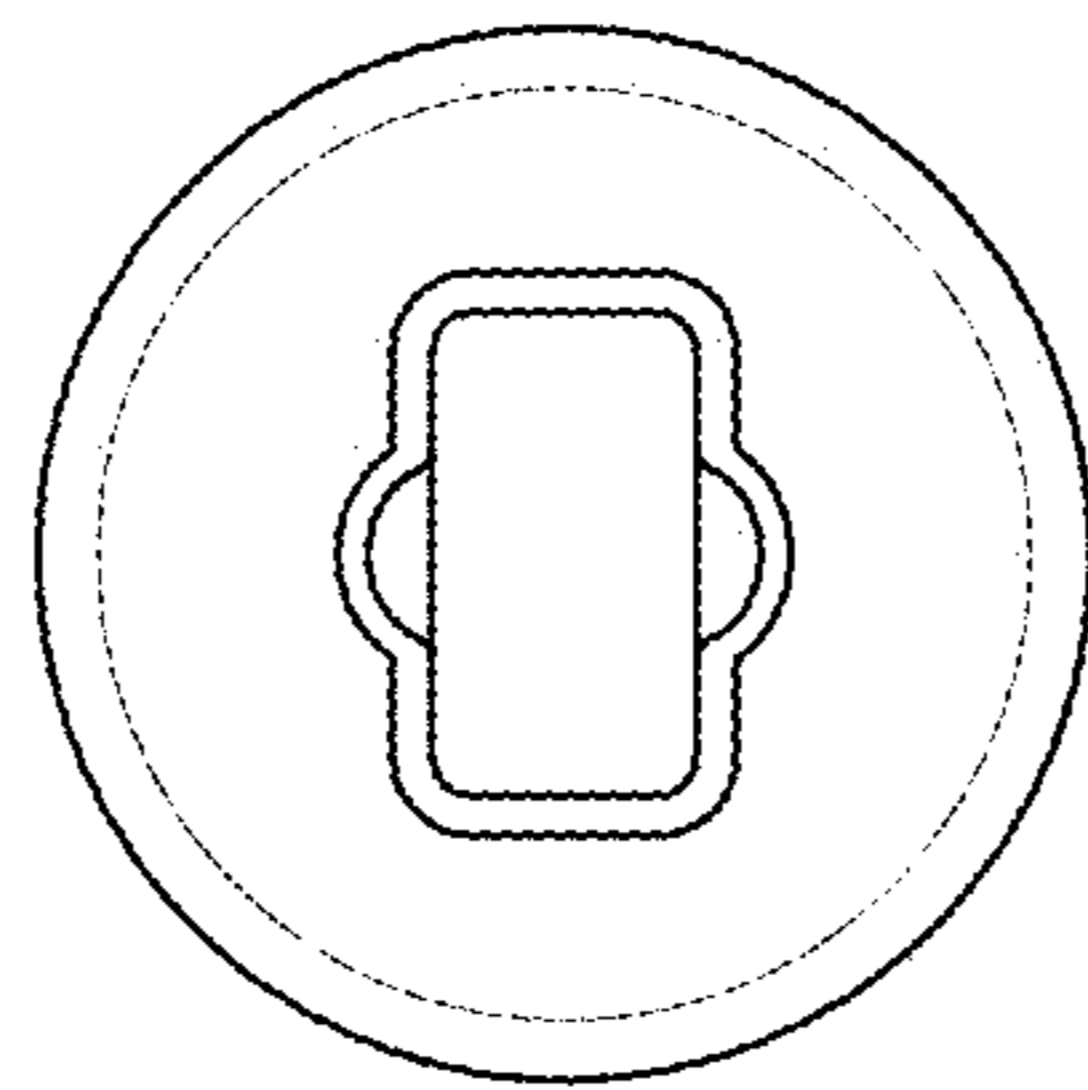


FIG. 6

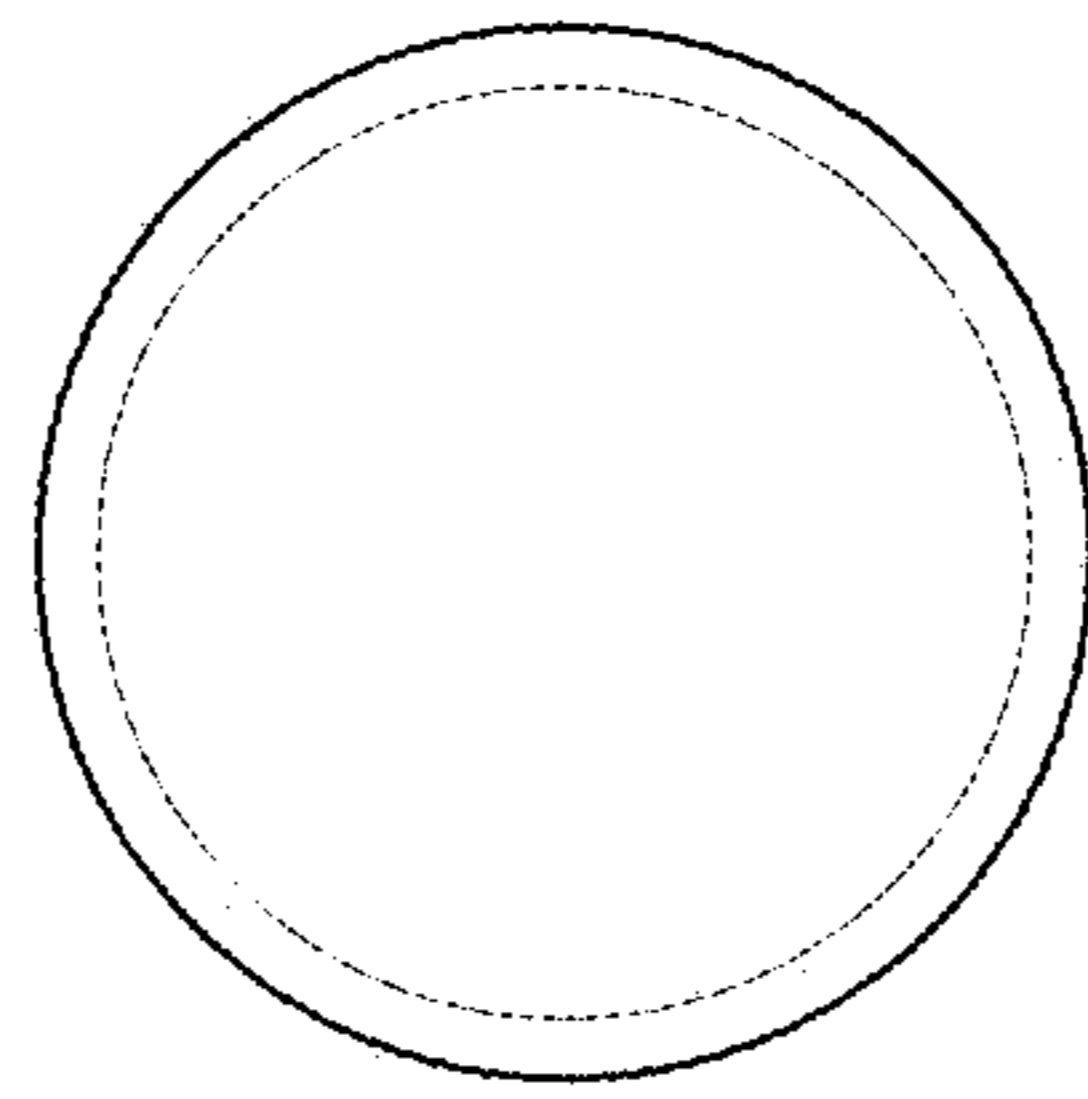


FIG. 7

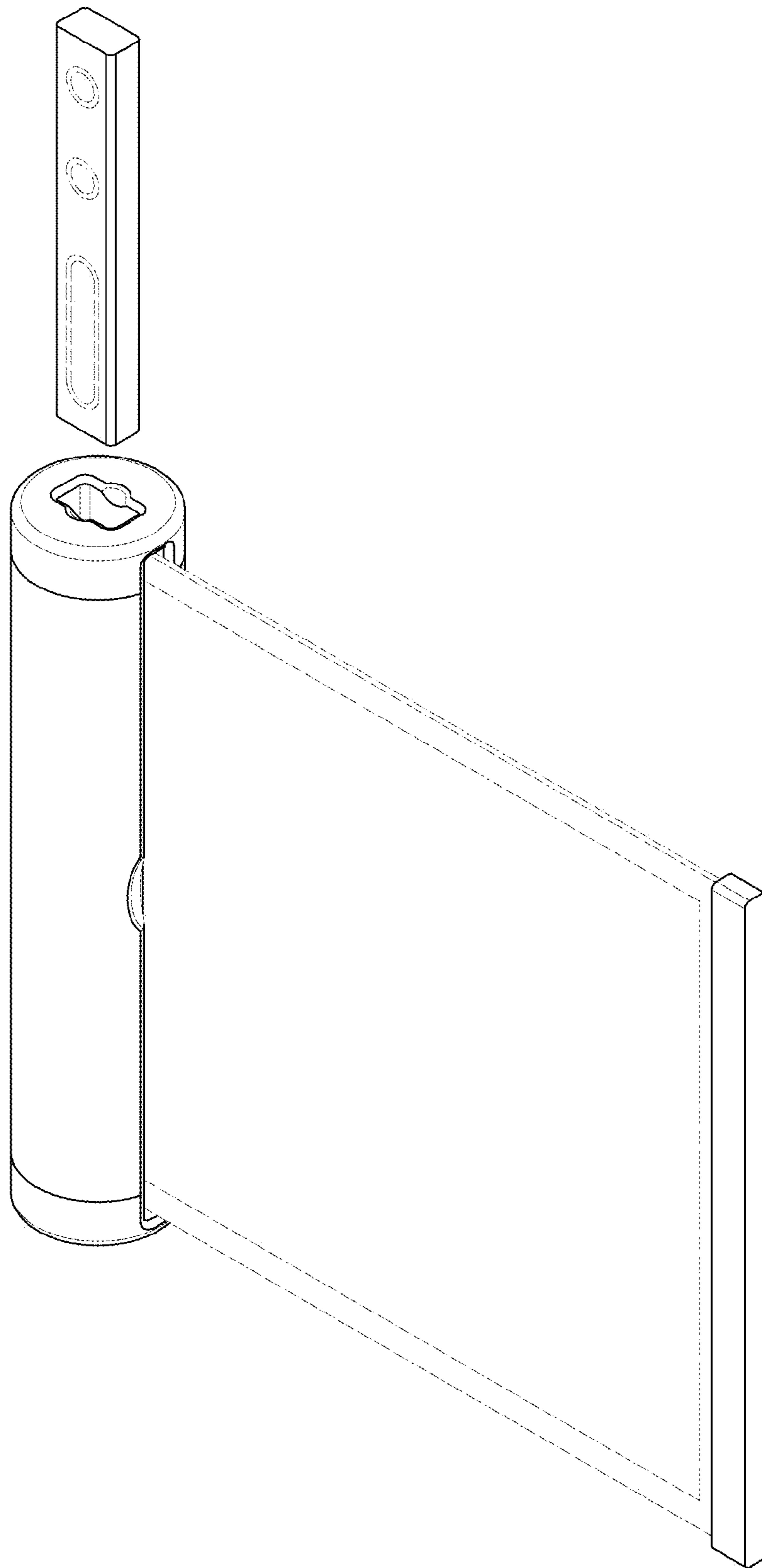


FIG. 8