



US00D870018S

(12) **United States Design Patent** (10) **Patent No.:** **US D870,018 S**
Olson (45) **Date of Patent:** **** Dec. 17, 2019**

(54) **TAILGATE GAP COVER**
(71) Applicant: **Kurt E. Olson**, Tacoma, WA (US)
(72) Inventor: **Kurt E. Olson**, Tacoma, WA (US)
(73) Assignee: **LIGHTHOUSE TOOL COMPANY, LLC**, Tacoma, WA (US)
(**) Term: **15 Years**
(21) Appl. No.: **29/623,505**
(22) Filed: **Oct. 25, 2017**
(51) **LOC (12) Cl.** **12-16**
(52) **U.S. Cl.**
USPC **D12/400**
(58) **Field of Classification Search**
USPC D12/400, 196; D25/135, 136
See application file for complete search history.

3,760,544 A * 9/1973 Hawes E04B 1/6162
52/468
3,878,660 A * 4/1975 Jacob E06B 3/26307
52/573.1
4,067,155 A 1/1978 Ruff et al.
4,156,300 A * 5/1979 Jarjavail A47G 27/045
16/5
4,157,271 A * 6/1979 Moore E04B 1/6803
156/280
4,434,593 A * 3/1984 Horike B60J 1/02
296/93
4,438,609 A * 3/1984 Nielson B60J 10/70
52/204.597
4,533,278 A * 8/1985 Corsover E01C 11/10
404/65

(Continued)

OTHER PUBLICATIONS

Cargo Gear, <http://www.cargogear.com/infolib.aspx?lookup=MPROCKBLOCK&image=RollBjpg>, Rock Block Truck Bed Tailgate Gap Seal 2009.

Primary Examiner — Kevin K Rudzinski
(74) *Attorney, Agent, or Firm* — George A. Leone;
Citadel Patent Law

(56) **References Cited**

U.S. PATENT DOCUMENTS

RE13,945 E * 7/1915 McCormick 296/93
2,016,968 A * 10/1935 Marble E04B 1/6803
52/418
2,705,820 A * 4/1955 Torrence A47B 13/083
52/782.2
2,722,689 A * 11/1955 Uphues A47B 77/06
4/631
2,996,751 A 8/1961 Nelson et al.
3,270,474 A 9/1966 Driggers
3,272,684 A 9/1966 Sheldon et al.
3,352,217 A * 11/1967 Peters E01C 11/106
404/65
3,473,278 A 10/1969 Gossen
3,508,369 A 4/1970 Tennison
3,570,205 A * 3/1971 Payne E04B 1/6175
52/466
3,604,169 A 9/1971 Smith
3,667,177 A 6/1972 Biela

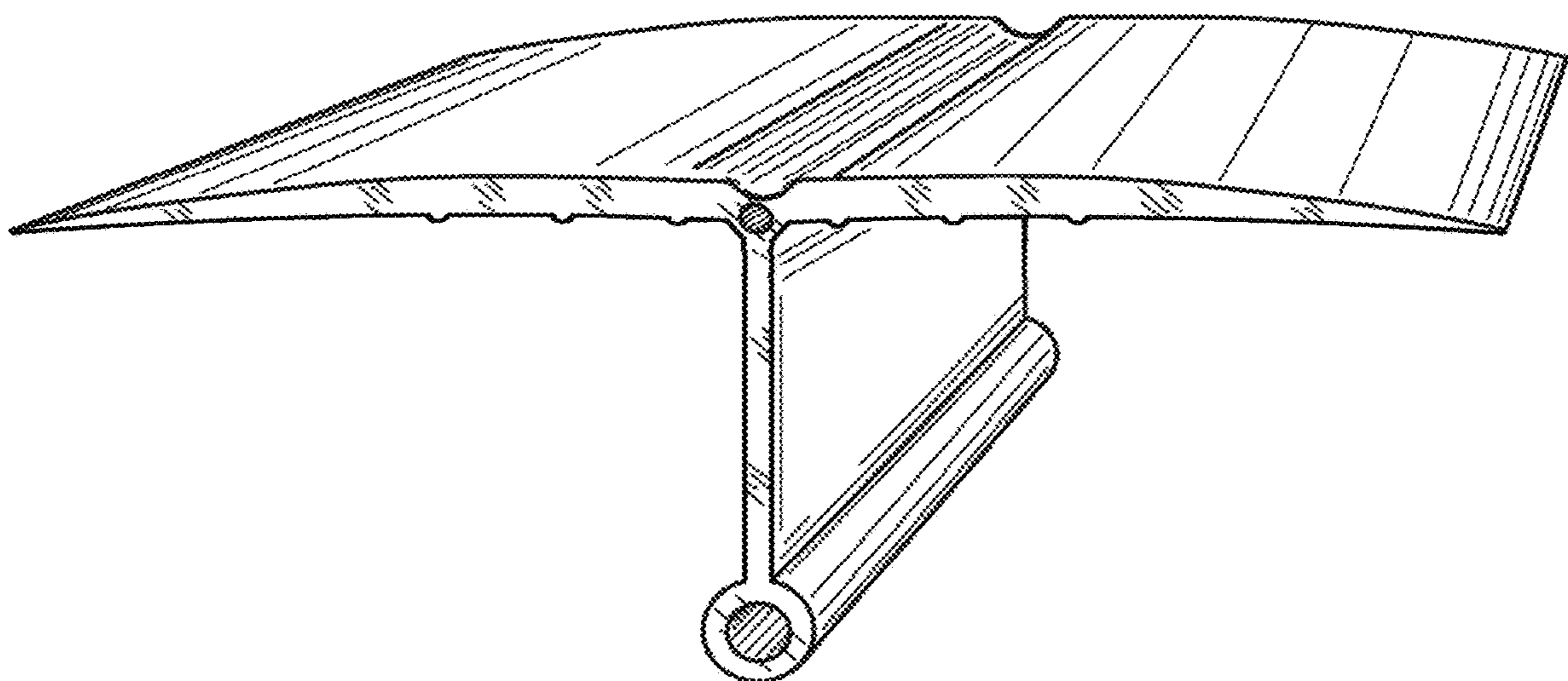
(57) **CLAIM**

The ornamental design for a tailgate gap cover, as shown and described.

DESCRIPTION

FIG. 1 is a perspective view of a tailgate gap cover showing my new design;
FIG. 2 is a front elevation view thereof;
FIG. 3 is a back elevation view thereof;
FIG. 4 is a right side elevational view thereof;
FIG. 5 is a left side elevational view thereof;
FIG. 6 is a top plan view thereof; and,
FIG. 7 is a bottom plan view thereof.

1 Claim, 5 Drawing Sheets



US D870,018 S

(56)

References Cited

U.S. PATENT DOCUMENTS

4,653,138	A *	3/1987	Carder	A47G 27/0462 16/16	7,207,143	B2	4/2007	Stanchfield
4,729,443	A	3/1988	Iadarola		D542,941	S	5/2007	Neuhofer, Jr.
4,736,563	A	4/1988	Billhom		D543,587	S	5/2007	Neuhofer
4,763,945	A *	8/1988	Murray	B60R 13/01 296/39.2	7,409,802	B2 *	8/2008	Fiedler E04D 1/365 52/287.1
4,893,449	A	1/1990	Kemper		7,441,379	B2	10/2008	Konstantin
4,913,576	A	4/1990	Grant, Jr.		7,540,067	B2	6/2009	Colbourne et al.
5,155,952	A *	10/1992	Herwegh	E04B 1/6803 52/100	7,562,504	B2	7/2009	Herbst et al.
5,170,854	A	12/1992	Miller		D621,076	S *	8/2010	Vibiano D25/164
5,188,415	A	2/1993	Wagner		7,784,238	B2 *	8/2010	Bannister E04F 19/02 52/278
5,396,746	A *	3/1995	Whitmer	B60J 10/70 296/201	7,895,802	B2 *	3/2011	Kurz E04F 15/02005 52/395
5,516,185	A *	5/1996	O'Donnell	B60P 3/36 277/645	8,291,665	B2 *	10/2012	Sondermann E04F 19/061 52/459
D374,854	S	10/1996	Little et al.		8,459,716	B2	6/2013	Kaplan
5,657,598	A	8/1997	Wilbs et al.		D689,425	S	9/2013	Olson
5,664,822	A	9/1997	Rosenfield		8,567,145	B1 *	10/2013	Chauncey E04B 1/7629 52/396.04
5,678,380	A *	10/1997	Azzar	A47B 95/043 108/27	8,734,927	B2 *	5/2014	Picker B32B 3/06 428/100
5,678,383	A	10/1997	Danielewicz		9,016,753	B2	4/2015	McDermott, III
5,888,017	A *	3/1999	Corrie	E01C 11/106 404/64	9,862,335	B2 *	1/2018	Vu B60R 13/06
5,904,391	A	5/1999	Liljenquest et al.		2002/0095895	A1	7/2002	Daly et al.
6,219,982	B1	4/2001	Eyring		2003/0051426	A1 *	3/2003	Kornfalt E04F 15/04 52/396.1
6,230,385	B1	5/2001	Nelson		2003/0084634	A1 *	5/2003	Stanchfield E04F 15/02005 52/464
6,293,066	B1 *	9/2001	Lohrey	E04B 1/6801 52/396.08	2003/0154678	A1	8/2003	Stanchfield
6,345,480	B1	2/2002	Kemper et al.		2009/0071089	A1	4/2009	Neuhofer, Jr.
6,540,278	B2	4/2003	Presle		2009/0120033	A1	5/2009	Thomas
6,588,165	B1	7/2003	Wright		2010/0031596	A1 *	2/2010	Muehlebach E04F 19/06 52/466
6,647,680	B2	11/2003	Daly et al.		2011/0080017	A1 *	4/2011	Olson B60R 13/06 296/57.1
D488,115	S	4/2004	Trunk et al.		2012/0159857	A1 *	6/2012	Kaplan B62D 33/0273 49/465
6,729,092	B2 *	5/2004	Grosjean	E04F 19/04 52/393	2012/0222357	A1 *	9/2012	Elliott B60J 5/0495 49/383
6,745,534	B2	6/2004	Komfalt		2012/0223541	A1 *	9/2012	Gianino B62D 33/0273 296/57.1
6,860,074	B2	3/2005	Stanchfield		2014/0099160	A1	4/2014	Cardin et al.
D504,181	S *	4/2005	Stanchfield	D25/119	2015/0084361	A1 *	3/2015	McDermott, III B62D 33/0273 296/57.1
6,991,400	B1	1/2006	Negueloua					
7,052,070	B1	5/2006	Simonin					
7,140,206	B2 *	11/2006	Braun	D06F 9/12 68/3 R				
7,150,166	B2	12/2006	Braun et al.					

* cited by examiner

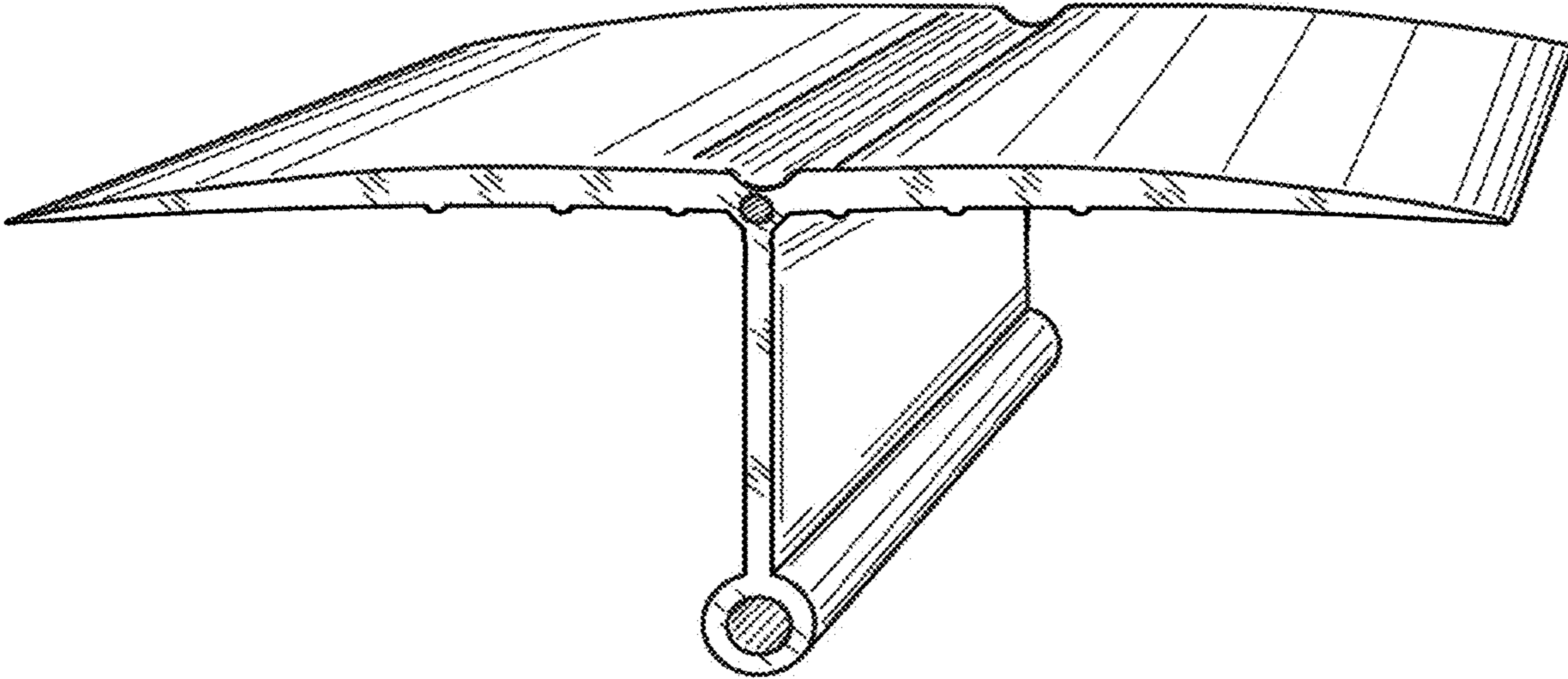


FIG. 1

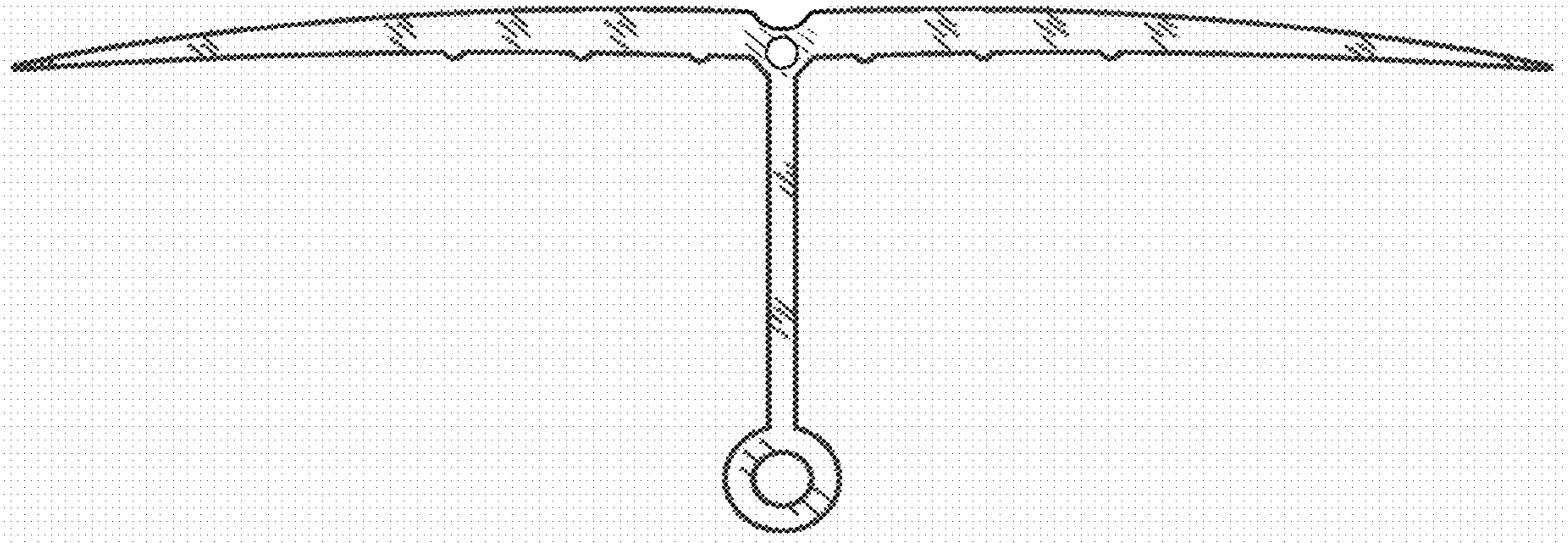


FIG. 2

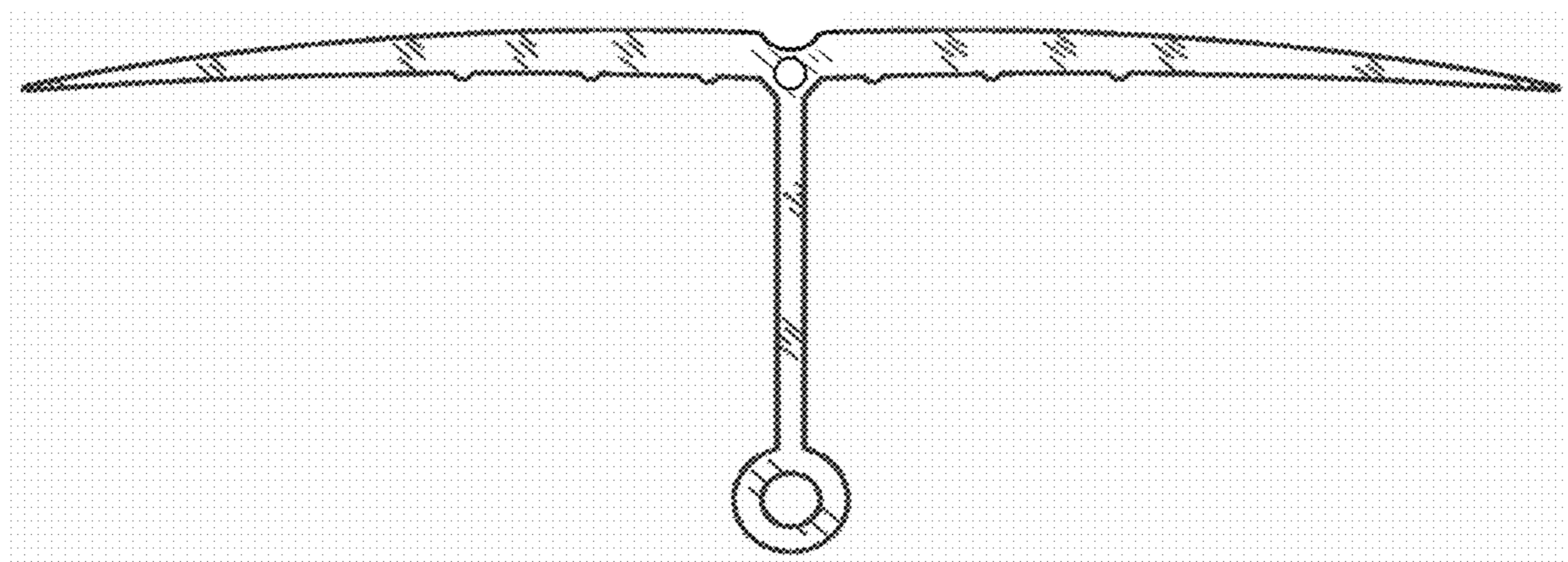


FIG. 3

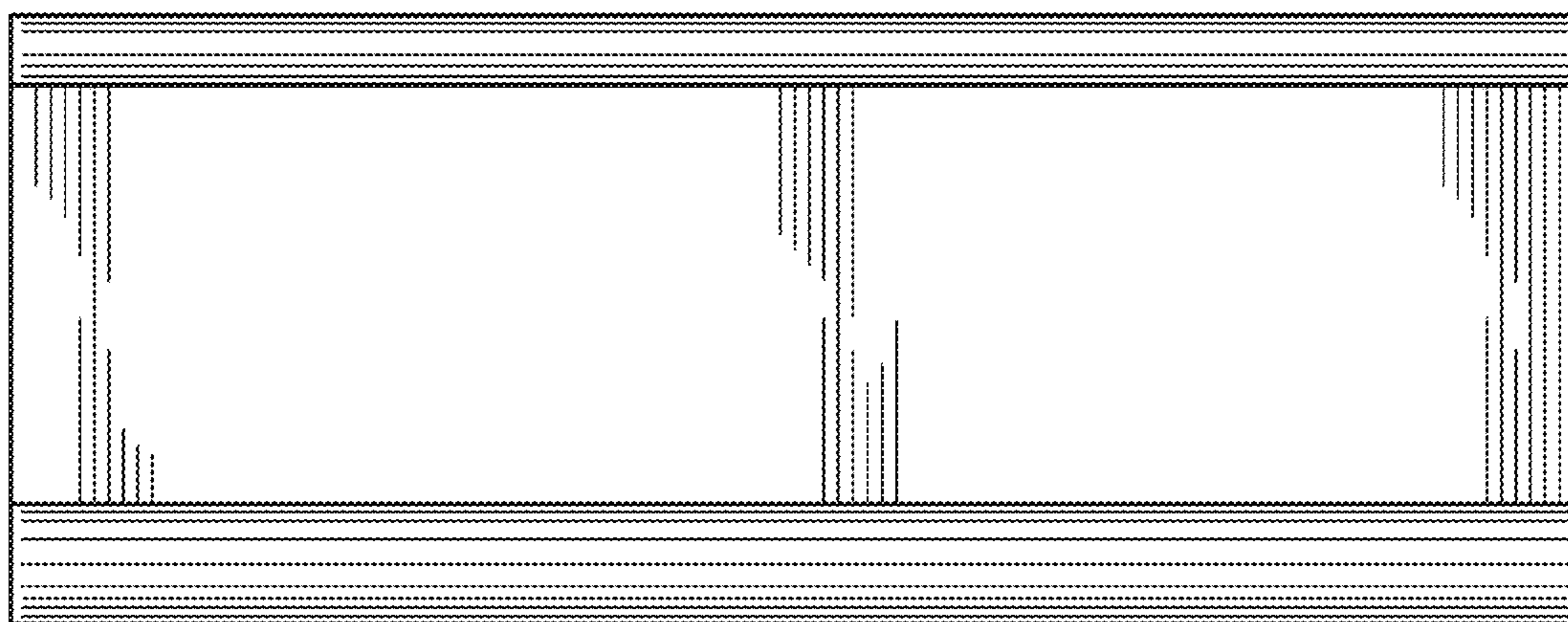


FIG. 4

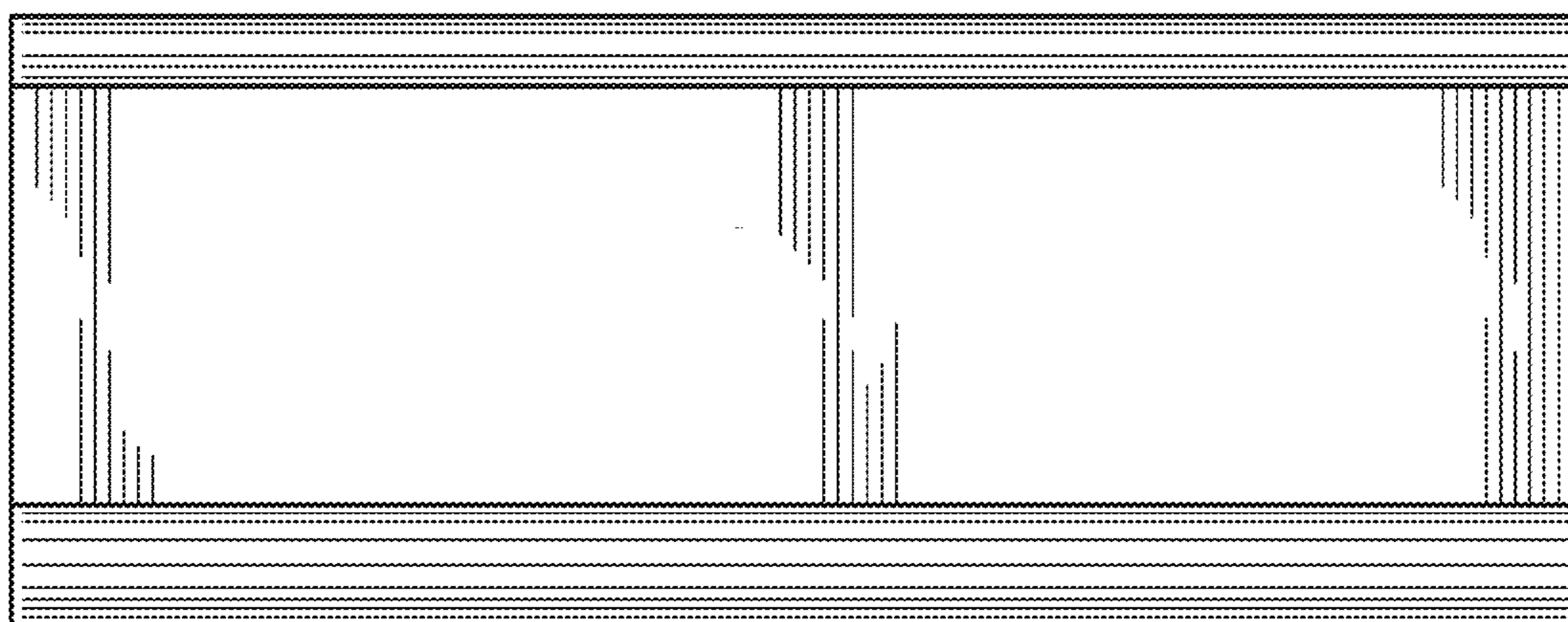


FIG. 5

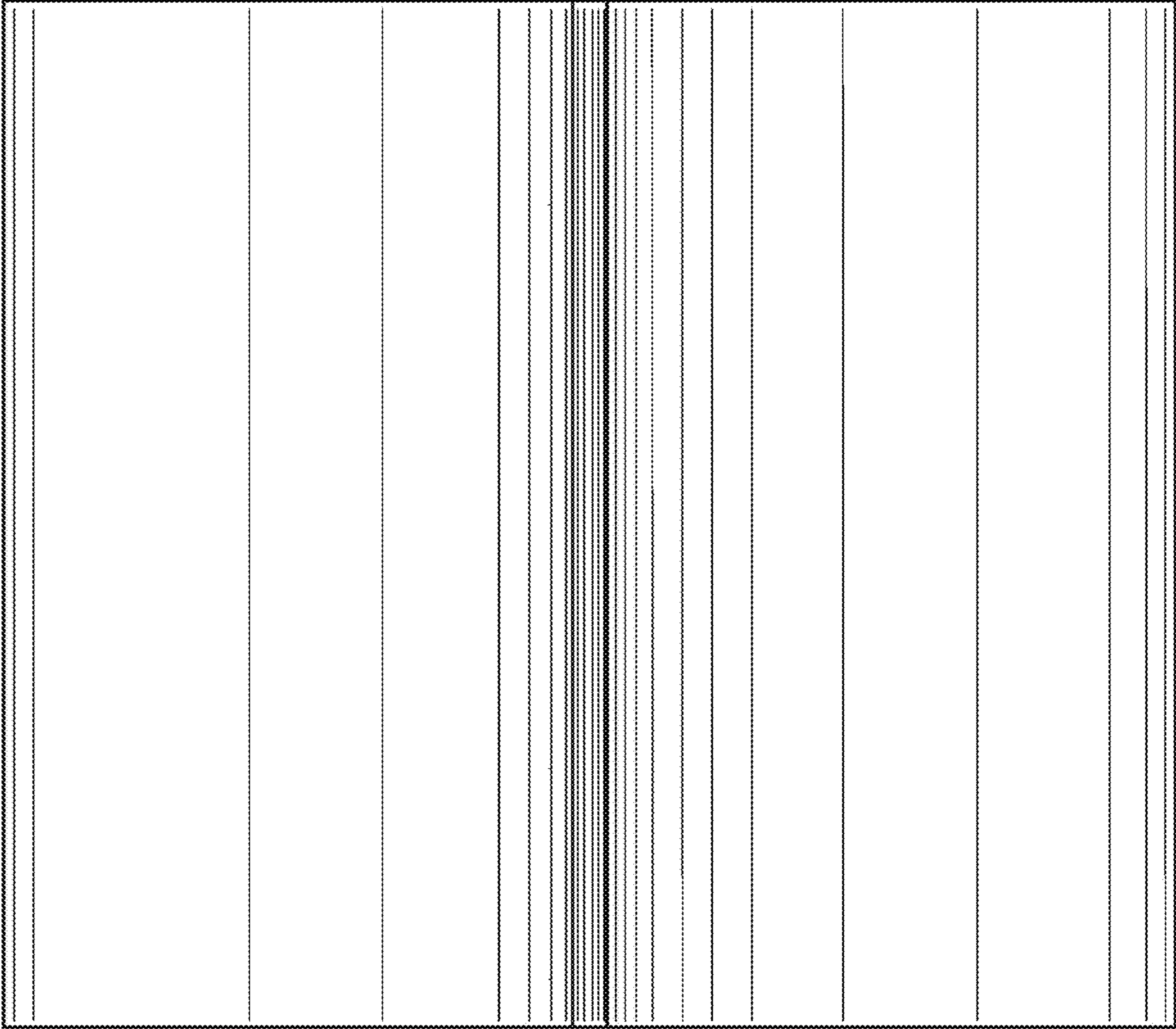


FIG. 6

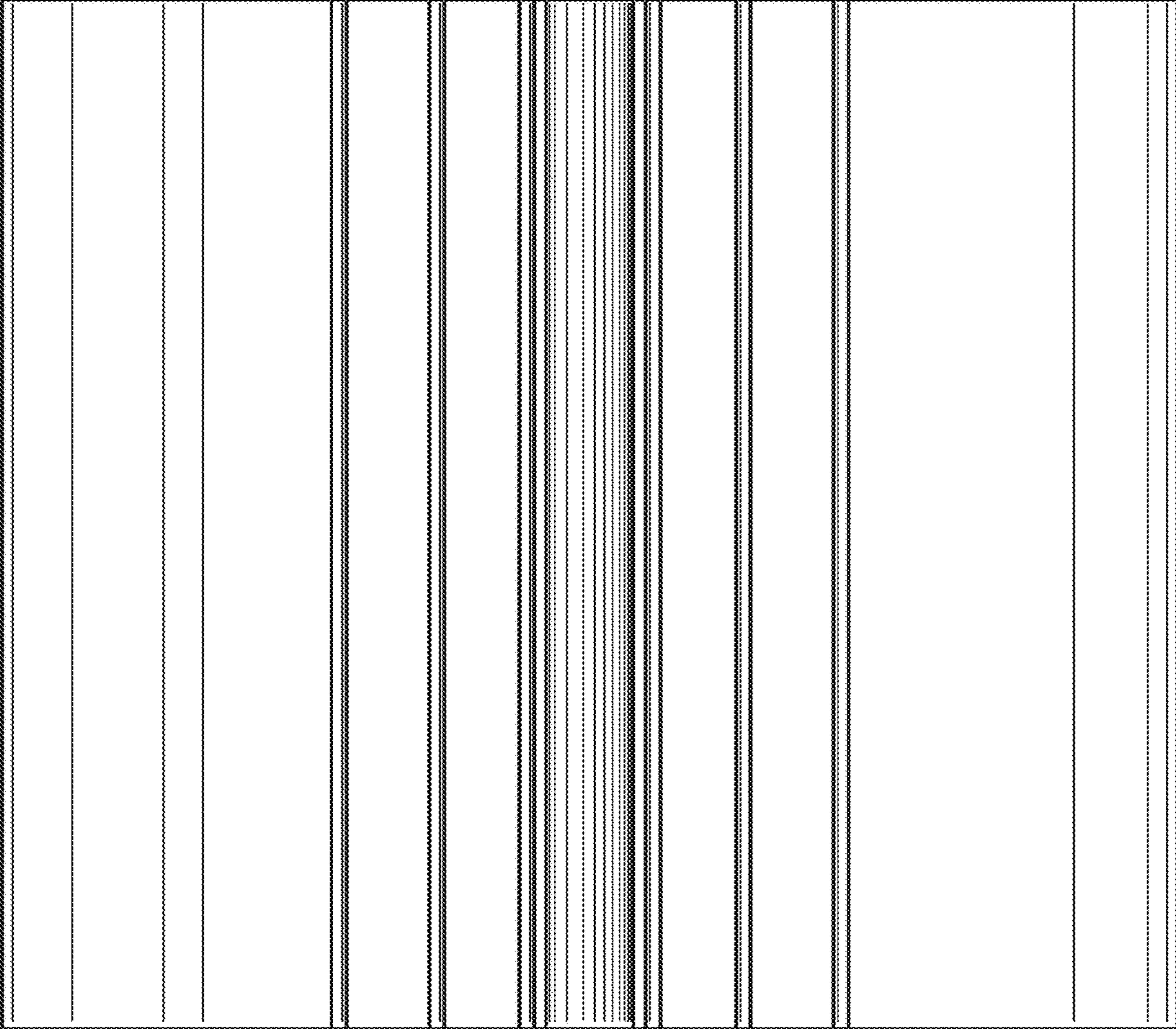


FIG. 7