



US00D870016S

(12) **United States Design Patent** (10) **Patent No.:** **US D870,016 S**
Wilson et al. (45) **Date of Patent:** **** Dec. 17, 2019**

(54) **CONVERTIBLE LEANING POST SEATING FOR MARINE VESSELS**

(71) Applicant: **Brunswick Corporation**, Mettawa, IL (US)

(72) Inventors: **Jacob W. Wilson**, Edgewater, FL (US); **Paul Sherwood-Berndt**, Titusville, FL (US)

(73) Assignee: **Brunswick Corporation**, Mettawa, IL (US)

(**) Term: **15 Years**

(21) Appl. No.: **29/643,295**

(22) Filed: **Apr. 6, 2018**

Related U.S. Application Data

(60) Division of application No. 29/597,223, filed on Mar. 15, 2017, now Pat. No. Des. 819,540, which is a continuation-in-part of application No. 15/086,677, filed on Mar. 31, 2016, now Pat. No. 9,821,887.

(51) **LOC (12) Cl.** **12-06**

(52) **U.S. Cl.**
USPC **D12/317**

(58) **Field of Classification Search**
USPC D12/300–318; D6/335, 349, 356, 362
CPC B63B 29/02; B63B 29/04; B63B 2029/43
See application file for complete search history.

(56) **References Cited**

U.S. PATENT DOCUMENTS

250,597 A	12/1881	St. John
831,877 A	9/1906	Kling
4,736,982 A	4/1988	Hwang
5,054,857 A	10/1991	Kvalheim
5,261,727 A	11/1993	Klaebel

5,762,402 A	6/1998	Gillotti	
5,782,534 A	7/1998	Desanta	
5,904,401 A	5/1999	Alberda	
6,196,629 B1	3/2001	Onishi	
6,584,926 B1 *	7/2003	Schmitt B63B 17/02 114/361
7,172,252 B2	2/2007	Henning	
7,422,279 B2 *	9/2008	Kushner A01K 97/06 224/275
7,647,880 B2	1/2010	Devine	
7,661,382 B2	2/2010	Wood et al.	
8,720,990 B2	5/2014	Boydston	
8,740,297 B1	6/2014	Foss et al.	
8,919,275 B2 *	12/2014	Hinson B63B 17/00 114/363
9,021,975 B1	5/2015	Fodor et al.	
9,073,608 B1	7/2015	Foss et al.	
D743,318 S	11/2015	Curts	
9,650,117 B2	5/2017	Curts	

(Continued)

Primary Examiner — Cynthia M. Chin

(74) *Attorney, Agent, or Firm* — Andrus Intellectual Property Law, LLP

(57) **CLAIM**

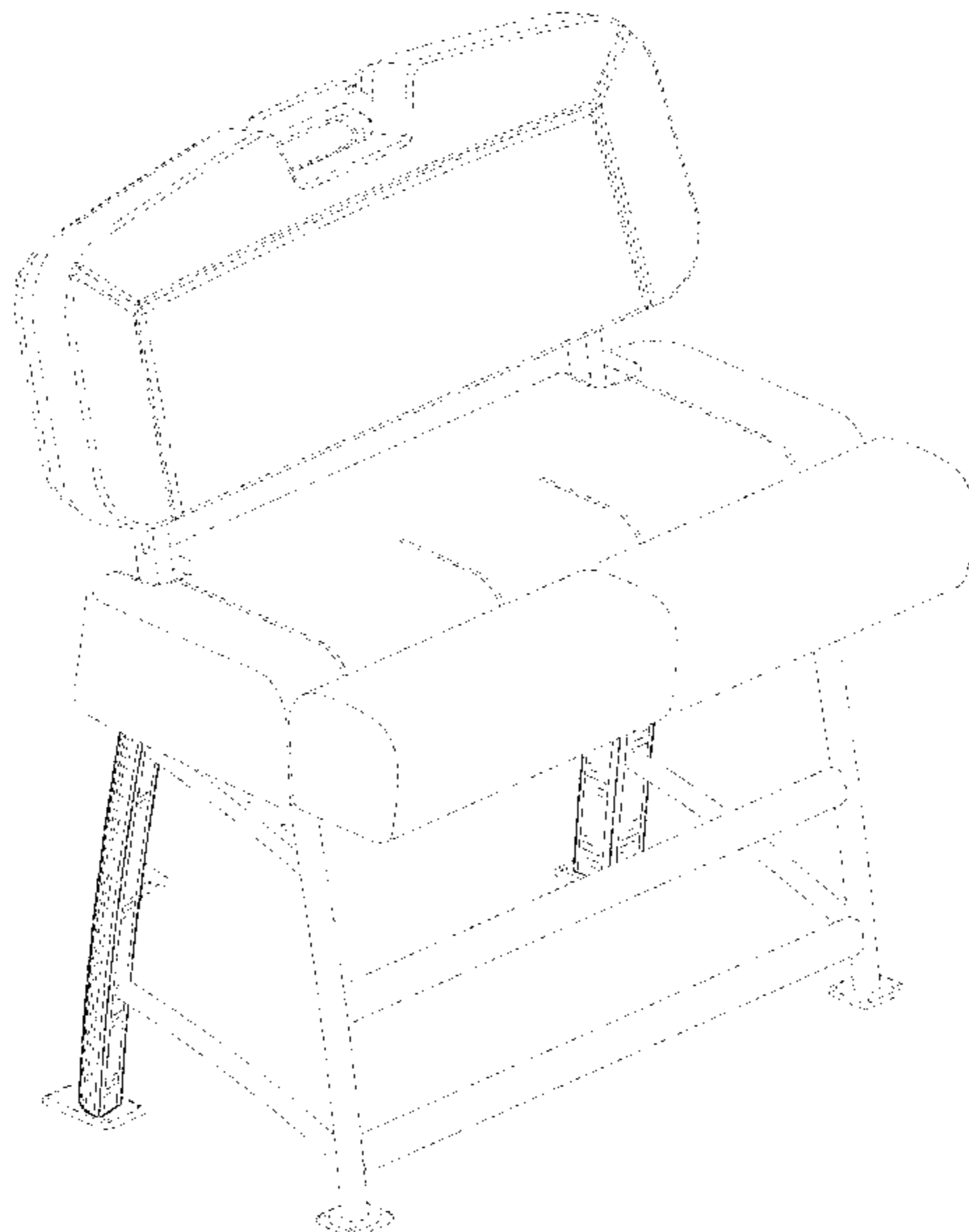
The ornamental design for a convertible leaning post seating for marine vessels, as shown and described.

DESCRIPTION

FIG. 1 is a rear perspective view of a convertible leaning post seating for marine vessels.
FIG. 2 is a side view thereof;
FIG. 3 is an opposite side view thereof;
FIG. 4 is a front view thereof;
FIG. 5 is a rear view thereof;
FIG. 6 is a top view thereof; and,
FIG. 7 is a bottom view thereof.

The broken lines are for the purposes of illustrating portions of the convertible leaning post seating that form no part of the claim.

1 Claim, 7 Drawing Sheets



(56)

References Cited

U.S. PATENT DOCUMENTS

9,783,271	B2 *	10/2017	Foss	B63B 29/04
9,821,887	B1	11/2017	Wilson et al.	
2003/0197402	A1	10/2003	McCutcheon	
2009/0188421	A1 *	7/2009	Devine	B63B 29/04
				114/363
2010/0031866	A1 *	2/2010	Thompson	B63B 29/04
				114/363
2014/0265500	A1	9/2014	Hough	
2017/0233042	A1	8/2017	Curts	

* cited by examiner

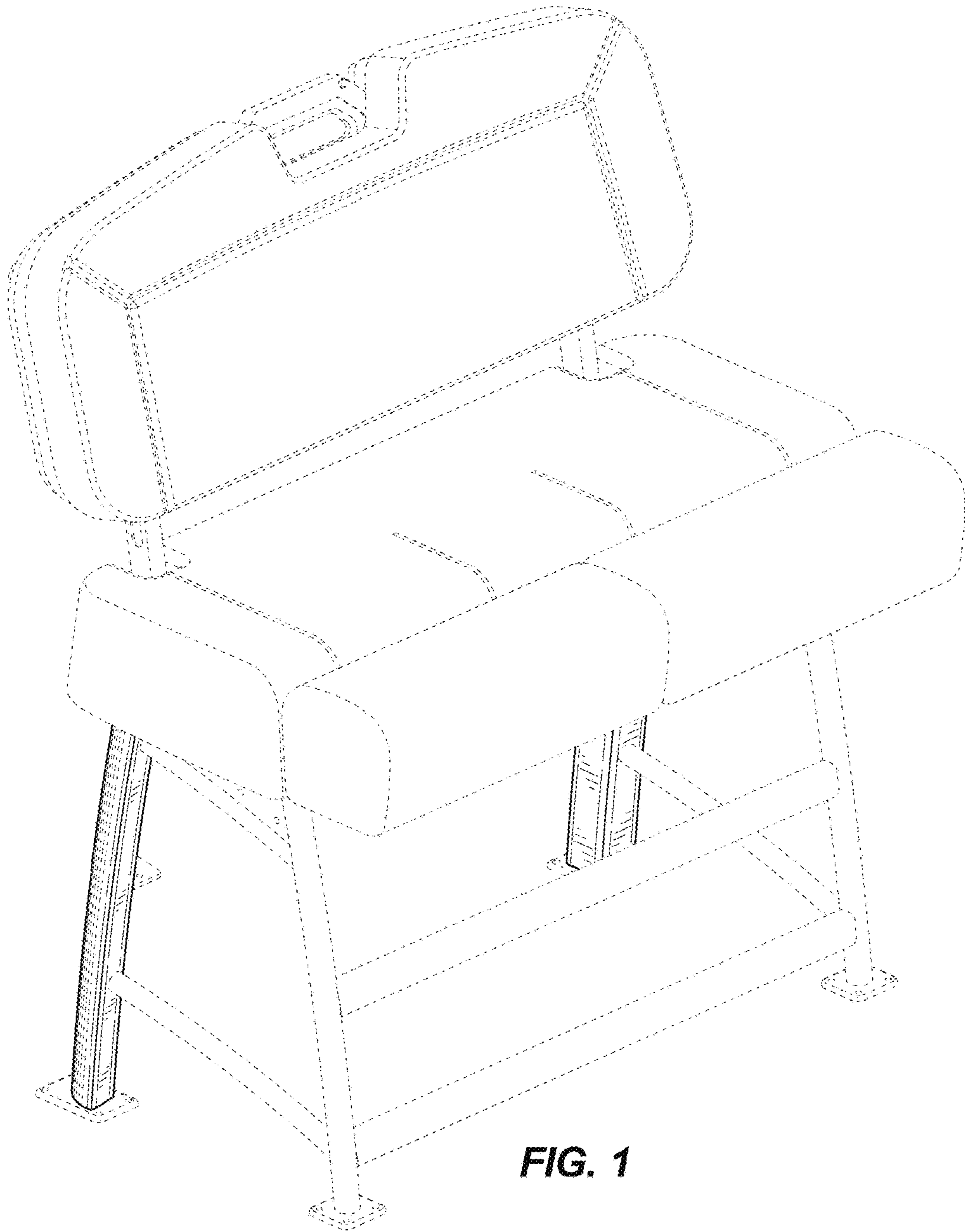


FIG. 1

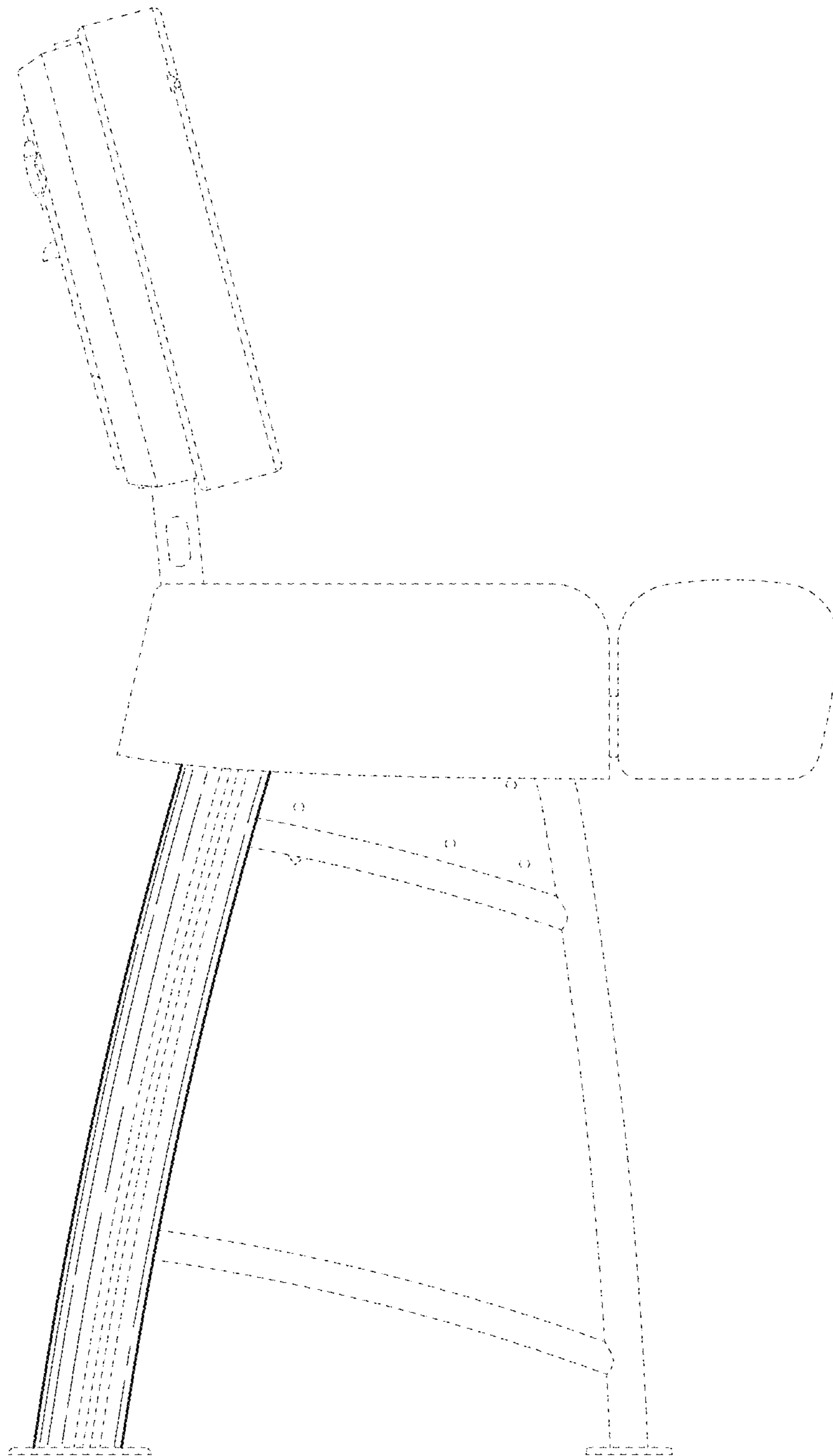


FIG. 2

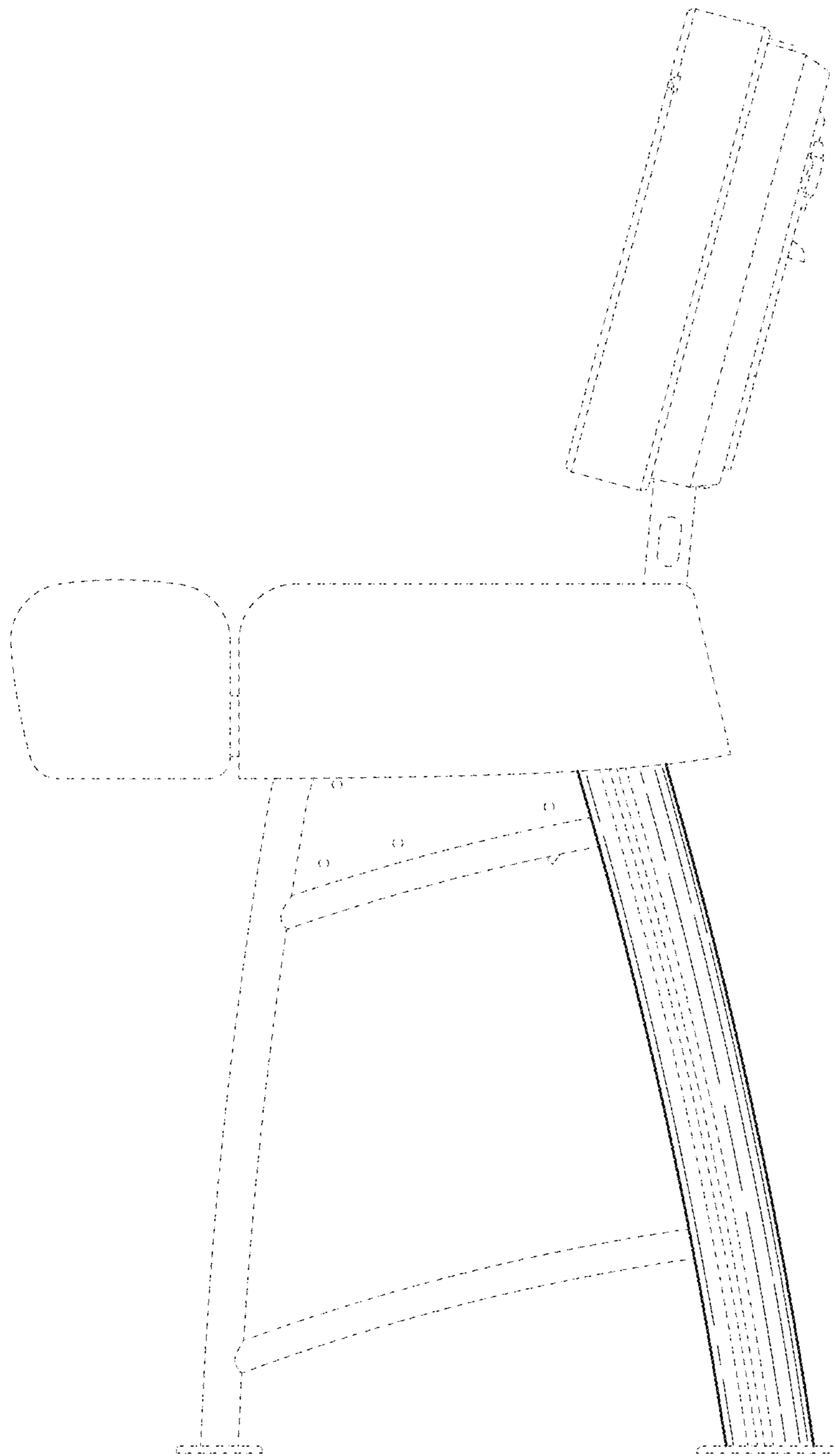


FIG. 3

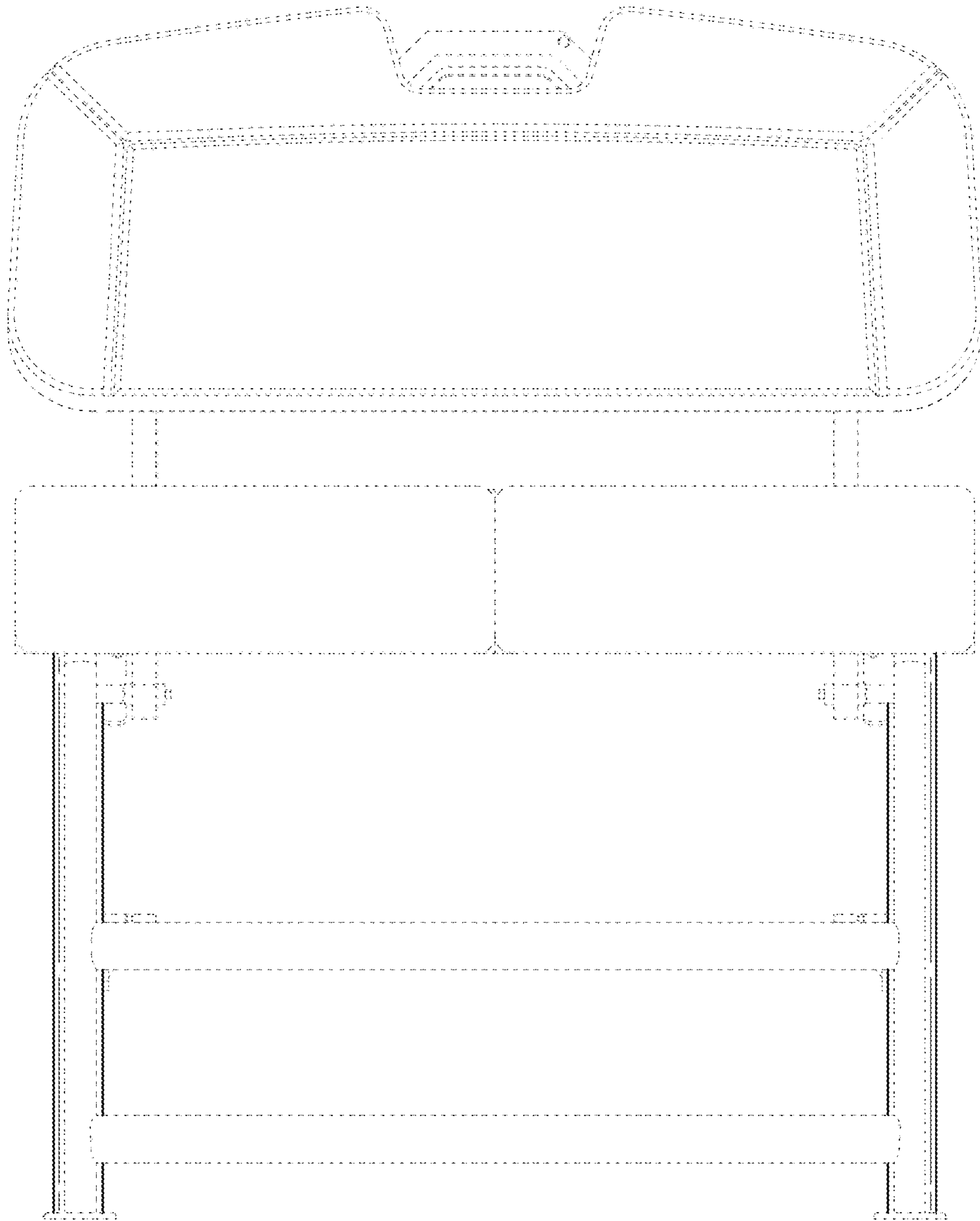


FIG. 4

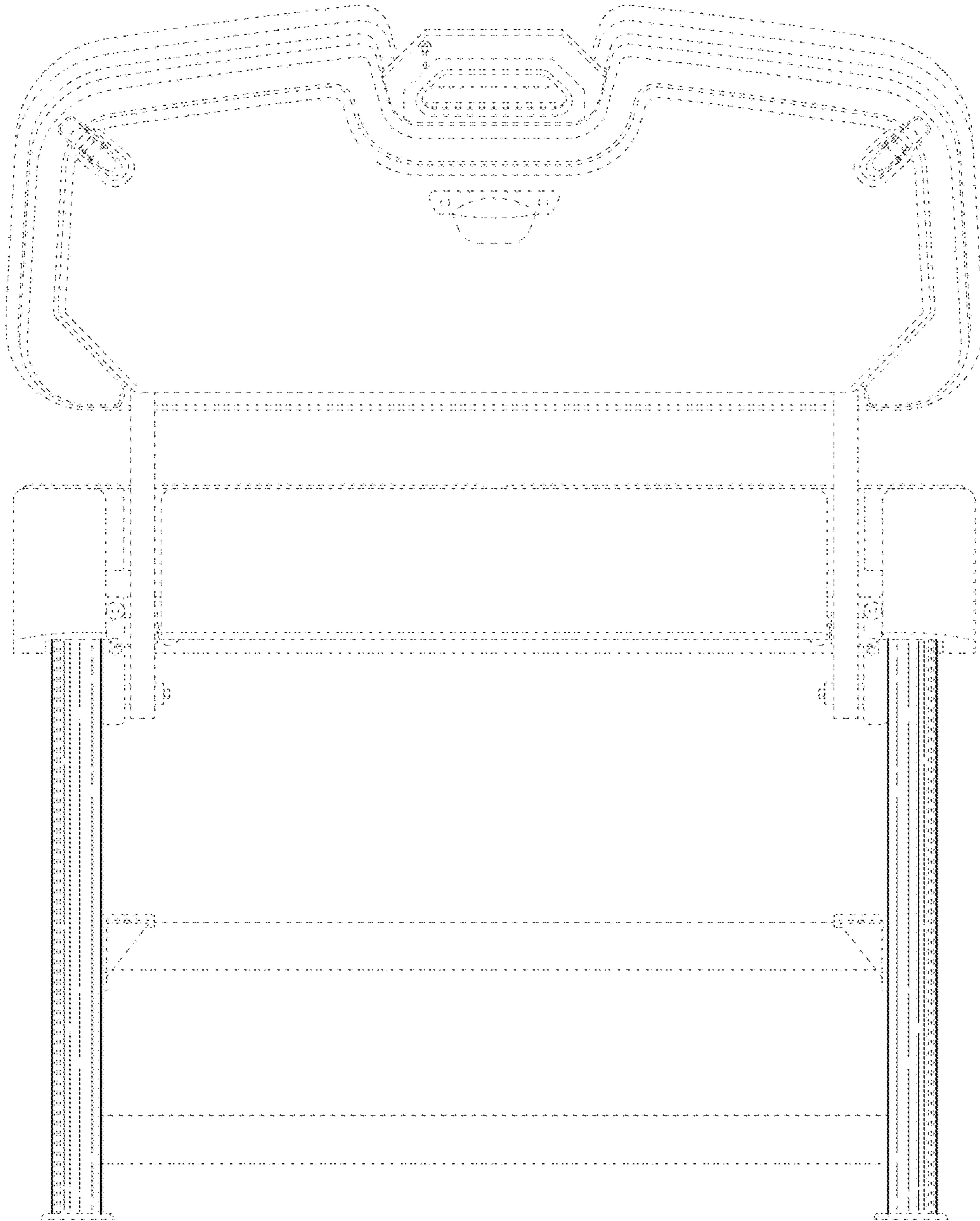


FIG. 5

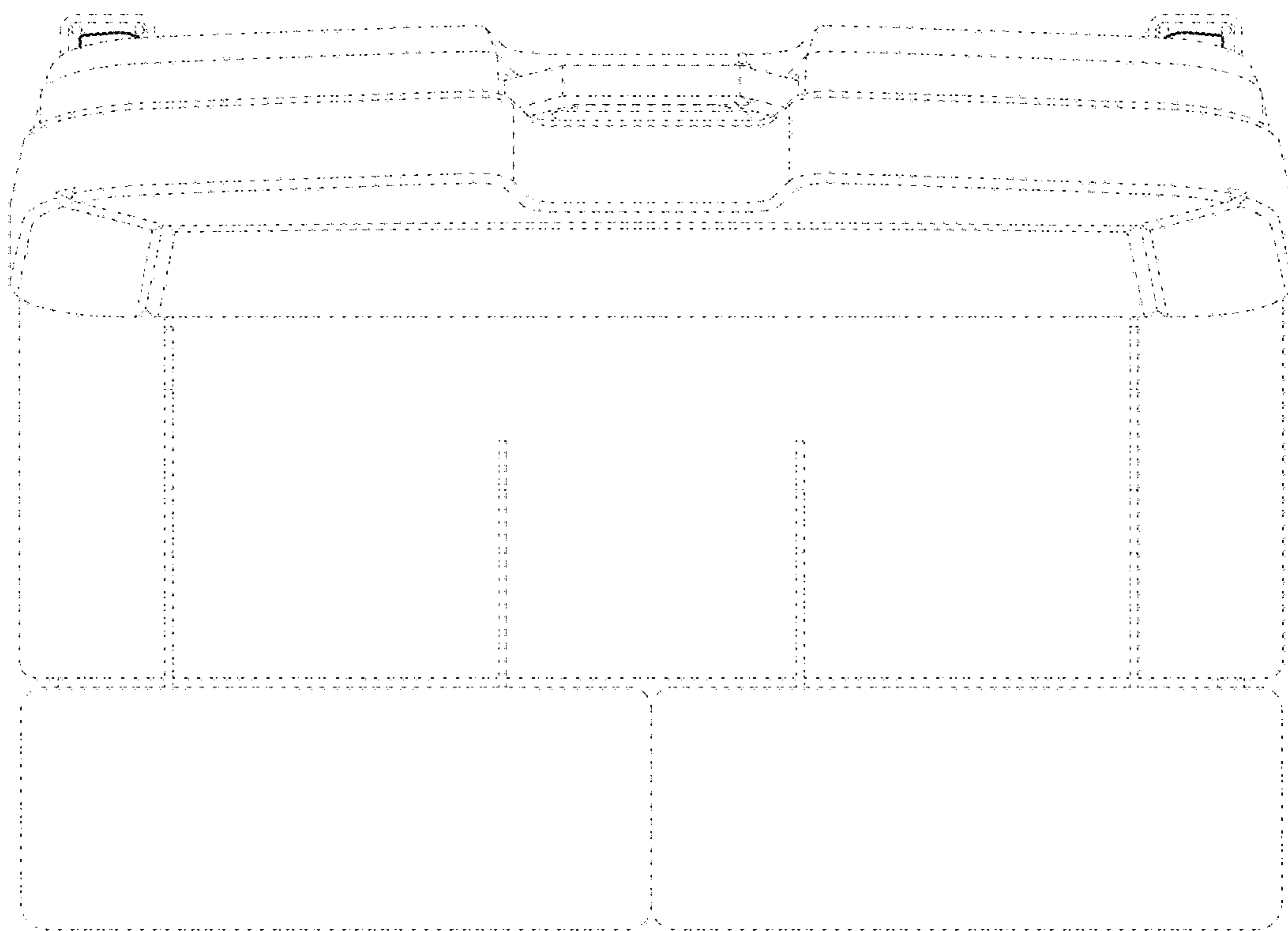


FIG. 6

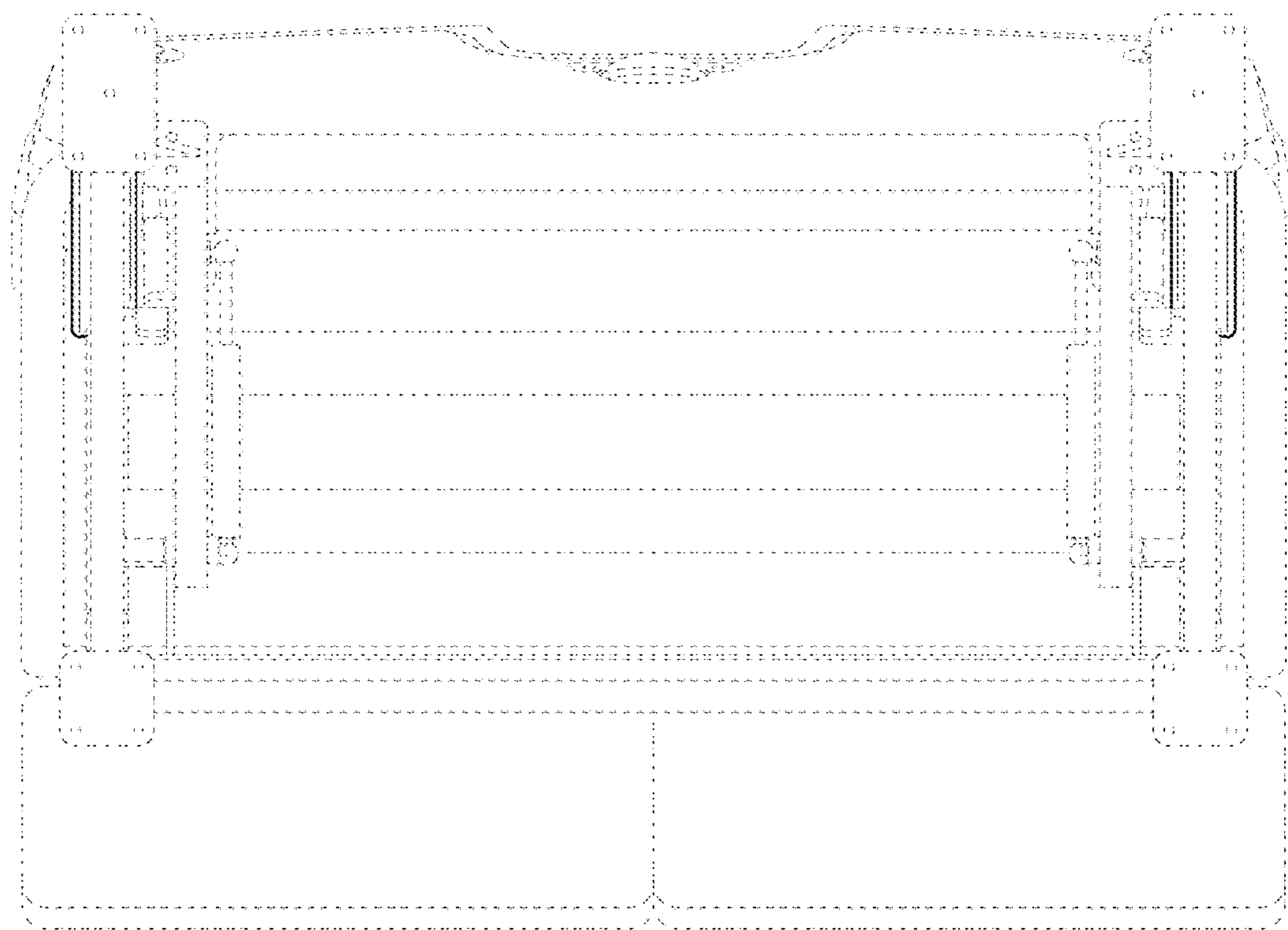


FIG. 7