



US00D870013S

(12) **United States Design Patent**
Bousset et al.

(10) **Patent No.:** **US D870,013 S**

(45) **Date of Patent:** **** Dec. 17, 2019**

(54) **WINDSCREEN WIPER ADAPTER**
(71) Applicant: **Valeo Systèmes d'Essuyage**, Le Mesnil
Saint Denis (FR)
(72) Inventors: **Xavier Bousset**, Issoire (FR); **Giuseppe**
Grasso, Issoire (FR)
(73) Assignee: **Valeo Systèmes d'Essuyage**, Le Mesnil
Saint Denis (FR)
(**) Term: **15 Years**

D725,024 S * 3/2015 Poton D12/220
D727,238 S * 4/2015 Lepper D12/220
D784,242 S * 4/2017 Lee D12/220
D784,243 S * 4/2017 Lee D12/220
D809,989 S * 2/2018 Lee D12/220
D842,213 S * 3/2019 Lee D12/220
2013/0152323 A1* 6/2013 Chien B60S 1/3849
15/250.32
2013/0340194 A1* 12/2013 Depondt B60S 1/386
15/250.32
2013/0343811 A1* 12/2013 Depondt B60S 1/387
403/327
2014/0215747 A1* 8/2014 Yang B60S 1/4003
15/250.32

(21) Appl. No.: **29/659,947**

* cited by examiner

(22) Filed: **Aug. 14, 2018**

Primary Examiner — Katrina A Betton

(74) *Attorney, Agent, or Firm* — Osha Liang LLP

Related U.S. Application Data

(63) Continuation of application No. 14/235,363, filed as
application No. PCT/EP2012/003216 on Jul. 27,
2012, now Pat. No. 10,077,025.

(57) **CLAIM**

The ornamental design for a windscreen wiper adapter, as
shown and described.

(30) **Foreign Application Priority Data**

Jul. 27, 2011 (FR) 1156876

(51) **LOC (12) Cl.** **12-16**

(52) **U.S. Cl.**
USPC **D12/220**

(58) **Field of Classification Search**
USPC D12/219–220
CPC B60S 2001/3815; B60S 1/4003; B60S
1/3801

See application file for complete search history.

DESCRIPTION

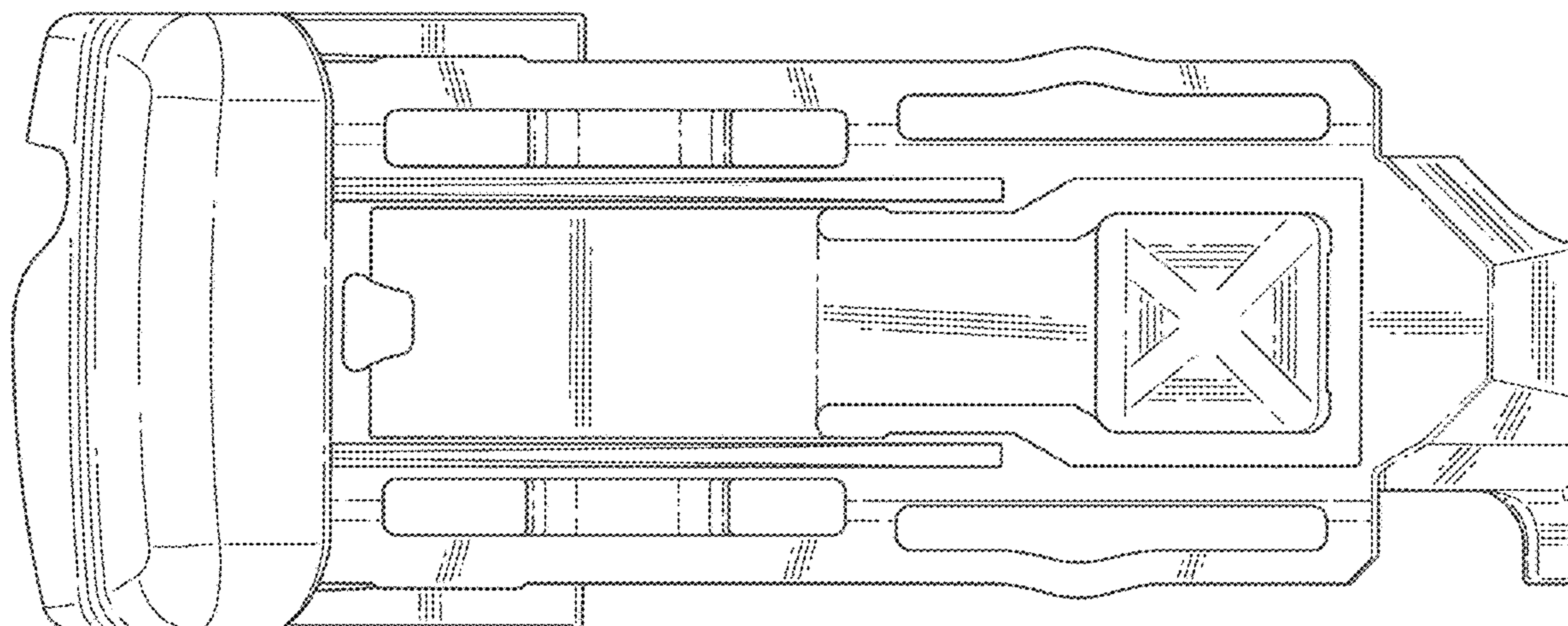
FIG. 1 is a front perspective view of a windscreen wiper adapter;
FIG. 2 is a front view of the windscreen wiper adapter of
FIG. 1;
FIG. 3 is a back view of the windscreen wiper adapter of
FIG. 1;
FIG. 4 is a first side view of the windscreen wiper adapter
of FIG. 1;
FIG. 5 is a second side view of the windscreen wiper adapter
of FIG. 1;
FIG. 6 is a top view of the windscreen wiper adapter of FIG.
1; and,
FIG. 7 is a bottom view of the windscreen wiper adapter of
FIG. 1.

(56) **References Cited**

U.S. PATENT DOCUMENTS

D610,518 S * 2/2010 Aglassinger D12/220
D725,021 S * 3/2015 Poton D12/220

1 Claim, 6 Drawing Sheets



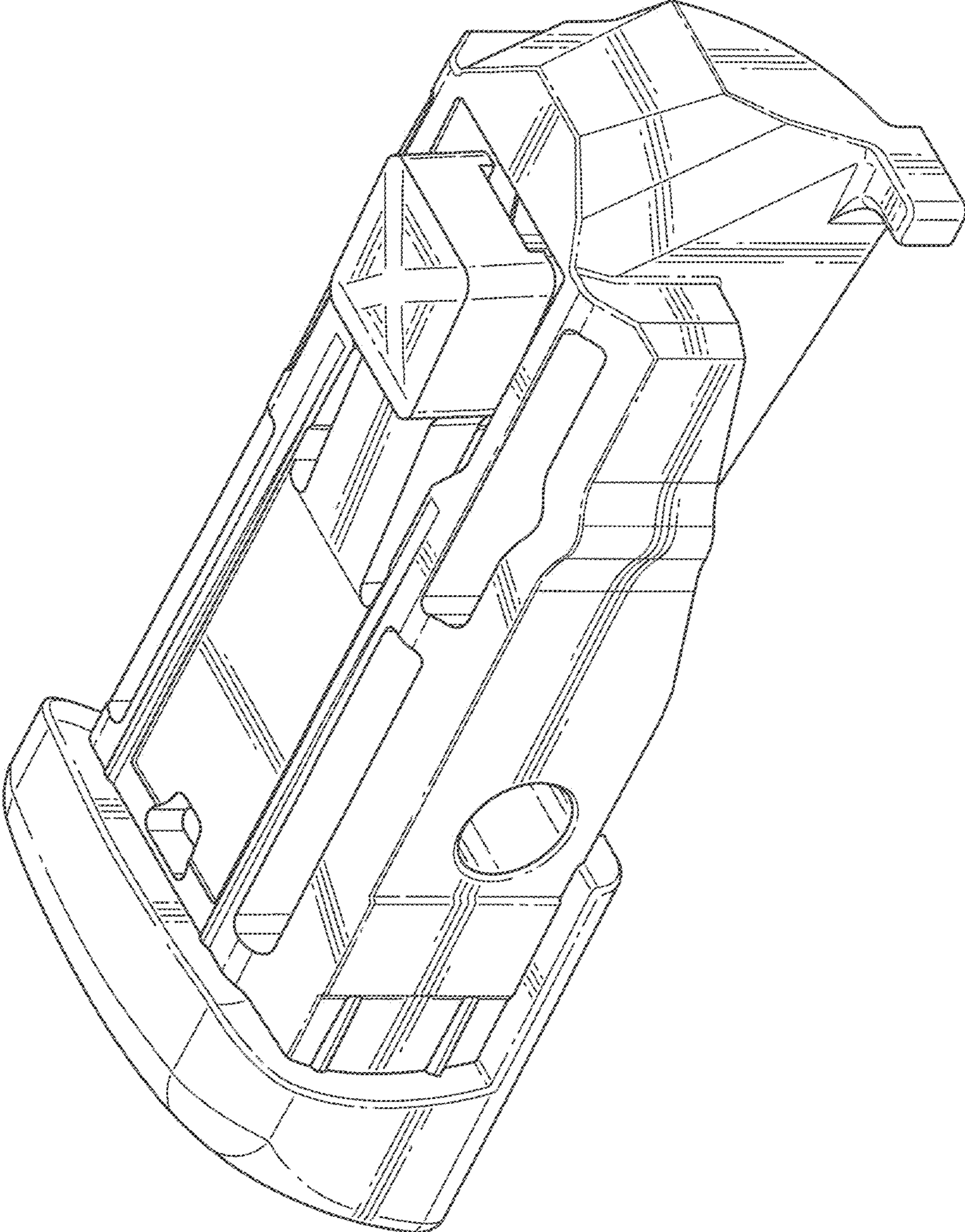


FIG. 1

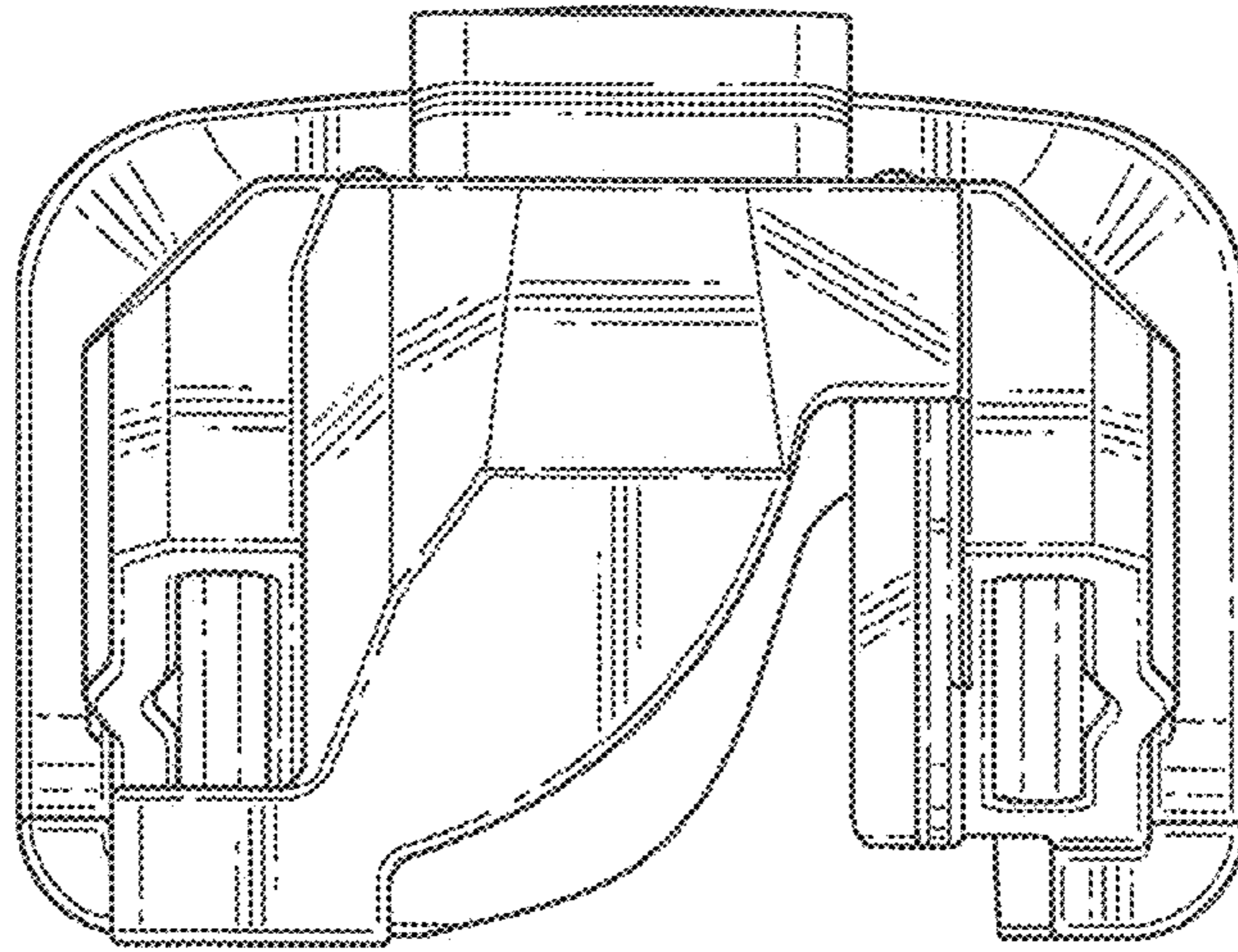


FIG. 2

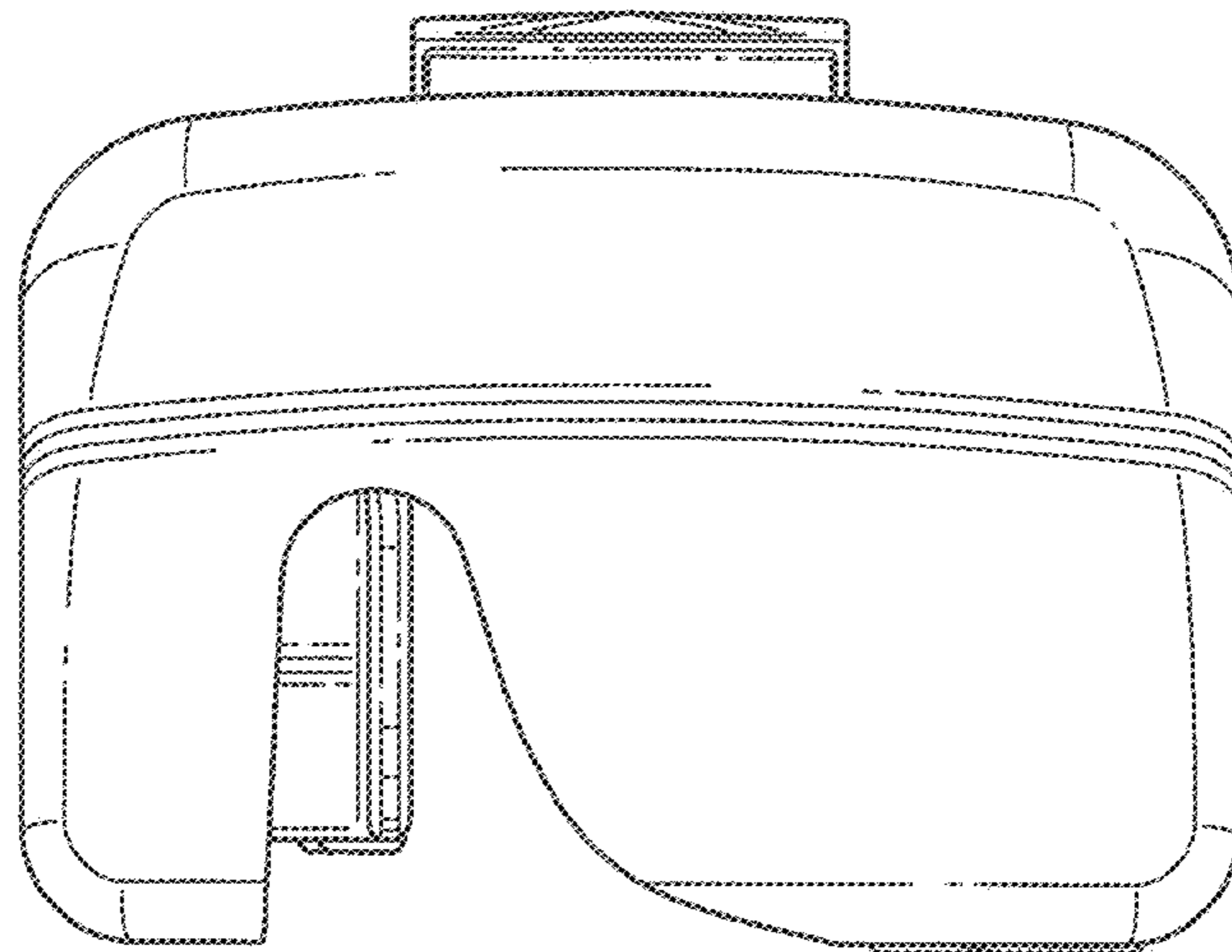


FIG. 3

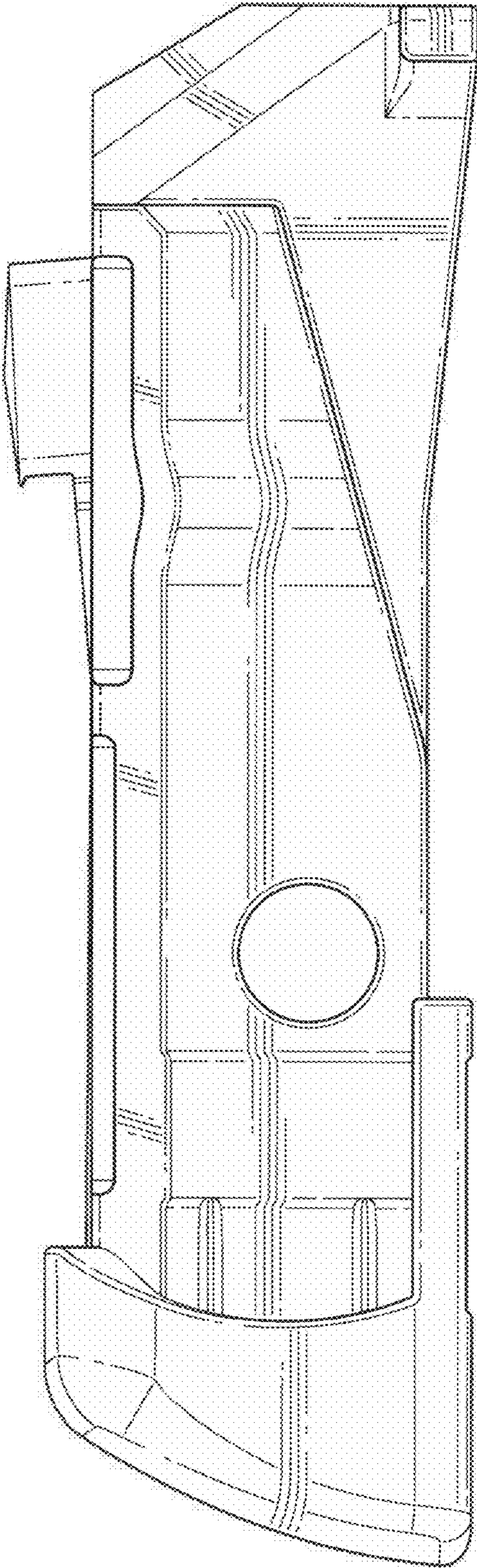


FIG. 4

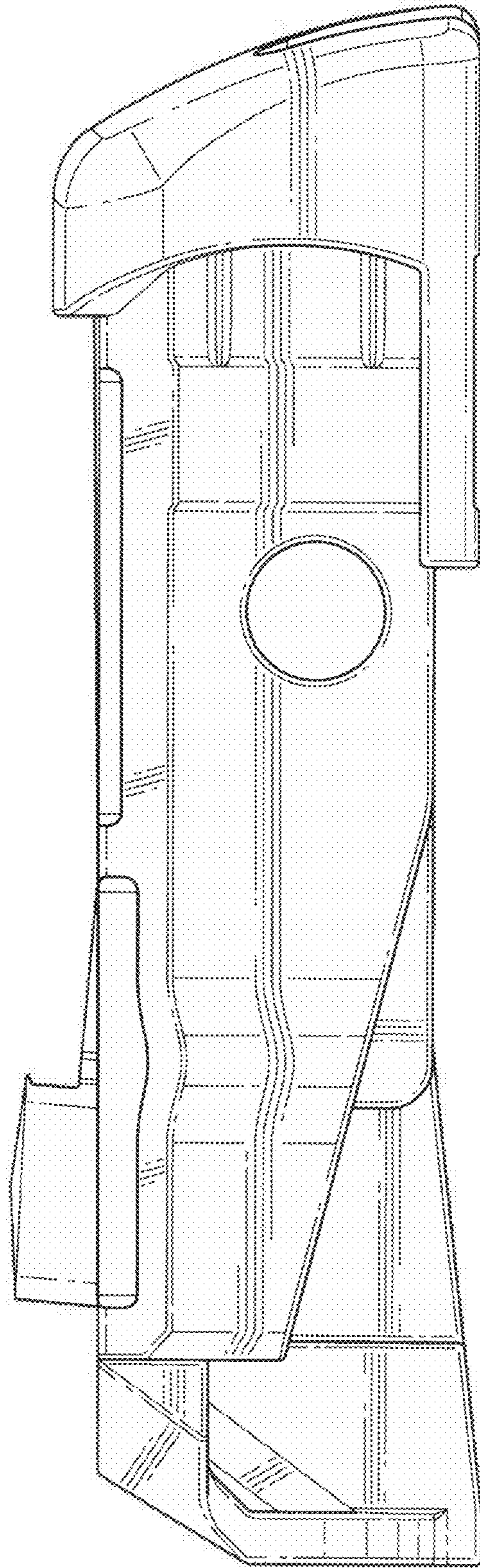


FIG. 5

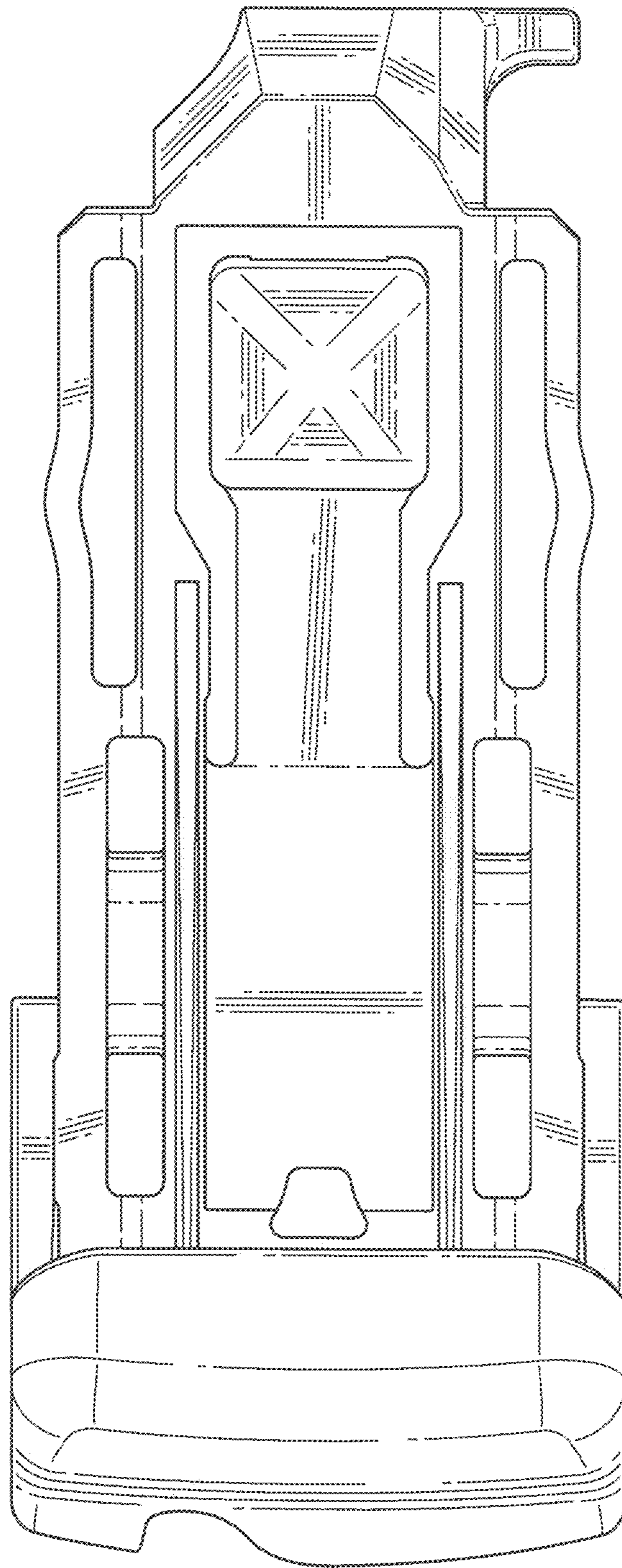


FIG. 6

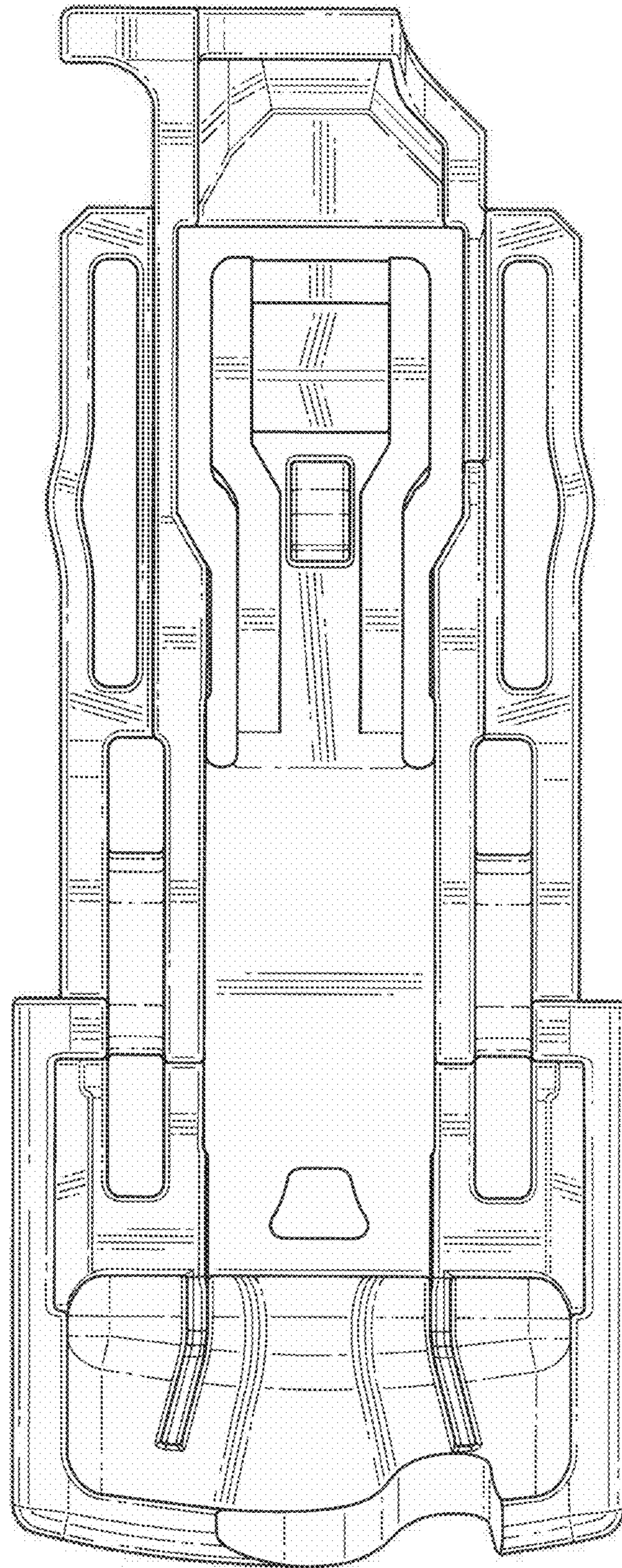


FIG. 7