



US00D870010S

(12) **United States Design Patent**
Hahn

(10) **Patent No.:** **US D870,010 S**

(45) **Date of Patent:** **** Dec. 17, 2019**

(54) **WHEEL**

(71) Applicant: **Vorsteiner North America**, Irvine, CA (US)

(72) Inventor: **Carol Hahn**, Garden Grove, CA (US)

(**) Term: **15 Years**

(21) Appl. No.: **29/668,649**

(22) Filed: **Oct. 31, 2018**

(51) **LOC (12) Cl.** **12-16**

(52) **U.S. Cl.**
USPC **D12/209; D12/211**

(58) **Field of Classification Search**
USPC D12/204–213
CPC B60B 7/00; B60B 7/02; B60B 7/04; B60B 7/01; B60B 7/06; B60B 3/02; B60B 3/04; B60B 3/06; B60B 3/10; B60B 1/00; B60B 1/08; B60B 1/10; B60B 1/12

See application file for complete search history.

(56) **References Cited**

U.S. PATENT DOCUMENTS

D457,478 S	*	5/2002	Minamisawa	D12/211
D463,769 S		10/2002	Chung		
D514,496 S		2/2006	Neeper		
D527,335 S		8/2006	Kim		
D535,606 S		1/2007	Hernandez		
D548,165 S		8/2007	Young		
D569,778 S		5/2008	Kim		
D579,399 S		10/2008	Schweizer		
D590,315 S		4/2009	Chung		
D603,779 S		11/2009	Futschik et al.		
D615,018 S		5/2010	Truebsbach		
D629,732 S	*	12/2010	Tirado	D12/209
D675,554 S		2/2013	Nissl		
D727,829 S		4/2015	Chung		
D736,135 S		8/2015	Grake et al.		

D746,210 S		12/2015	Dilber et al.		
D754,051 S		4/2016	Baum		
D763,163 S		8/2016	Chung		
D763,772 S		8/2016	Chung		
D778,222 S		2/2017	Chung		
D780,664 S		3/2017	Gellert		
D792,827 S	*	7/2017	Chung	D12/209
D793,939 S	*	8/2017	Hans	D12/211
D797,028 S		9/2017	Chung		
D800,631 S		10/2017	Krause et al.		
D800,632 S		10/2017	Gonser		
D801,250 S	*	10/2017	Chung	D12/209
D811,980 S		3/2018	Chung		
D812,541 S		3/2018	Chung		
D817,846 S	*	5/2018	Stone	D12/209
D823,222 S	*	7/2018	Chung	D12/211
D825,428 S		8/2018	Myrberg		
D832,175 S	*	10/2018	Chung	D12/209
D833,950 S		11/2018	Sempek		
D837,711 S	*	1/2019	Chung	D12/209
D840,892 S		2/2019	Chung		
D842,196 S		3/2019	Han		
D842,202 S	*	3/2019	Han	D12/209
D845,862 S		4/2019	Kong		
D845,863 S	*	4/2019	Chung	D12/211

* cited by examiner

Primary Examiner — Stacia A Cadmus

(74) *Attorney, Agent, or Firm* — Hani Z. Sayed; Rutan & Tucker, LLP

(57) **CLAIM**

The ornamental design for a wheel, as shown and described.

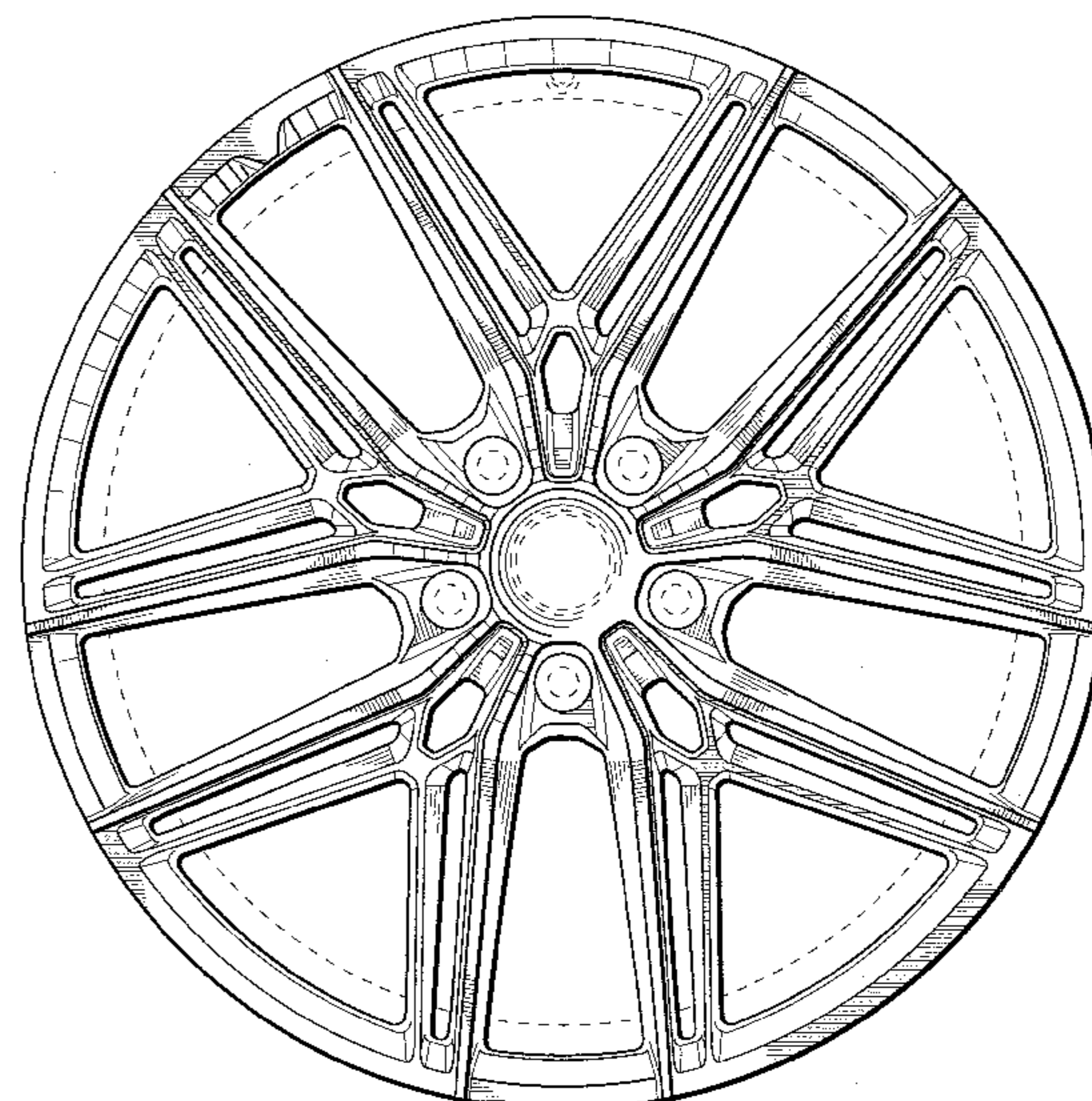
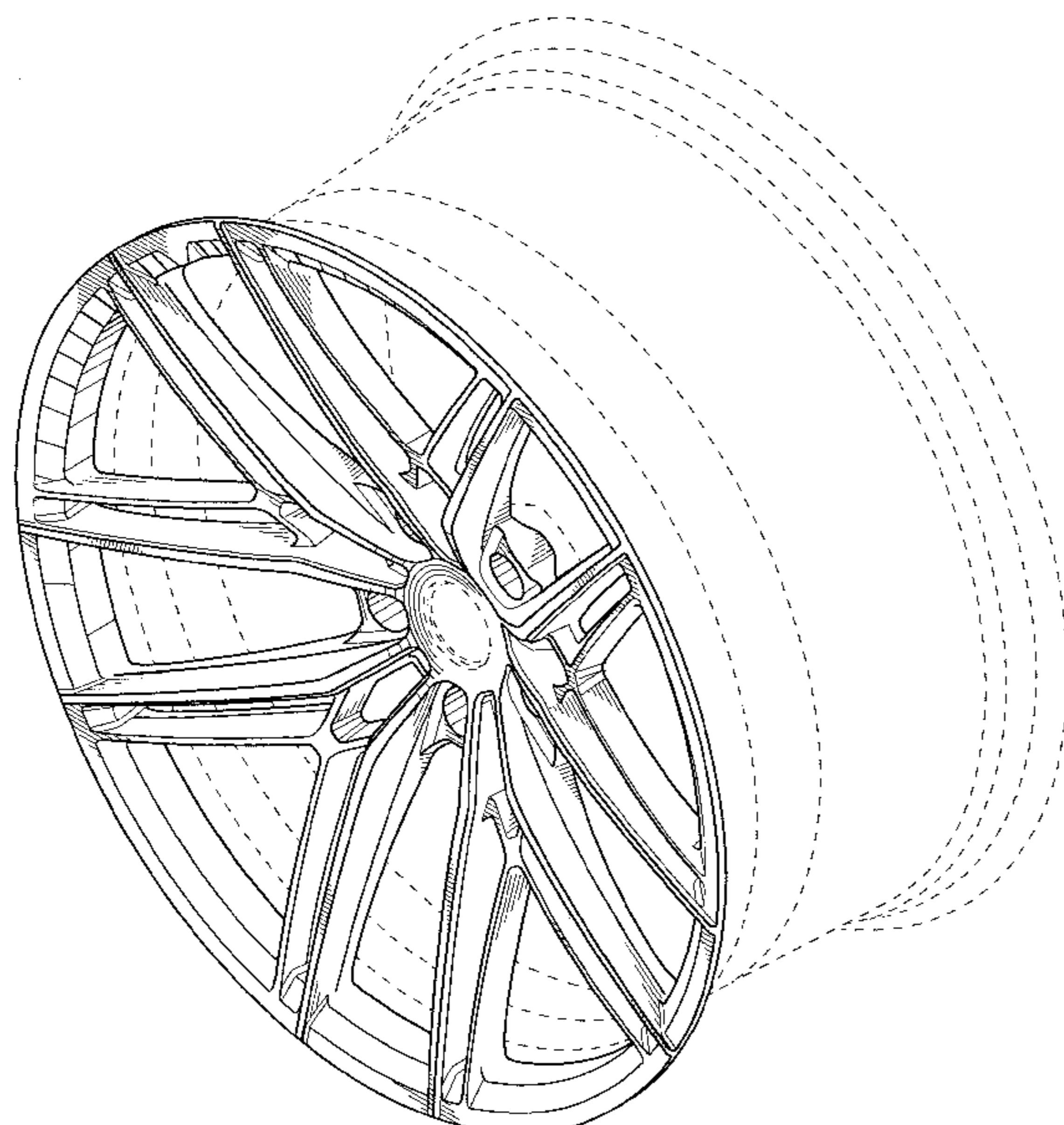
DESCRIPTION

FIG. 1 is a perspective view of a wheel, showing my new design; and,

FIG. 2 is a front view thereof.

In the drawings the broken lines depict environmental subject matter and form no part of the claimed design.

1 Claim, 2 Drawing Sheets



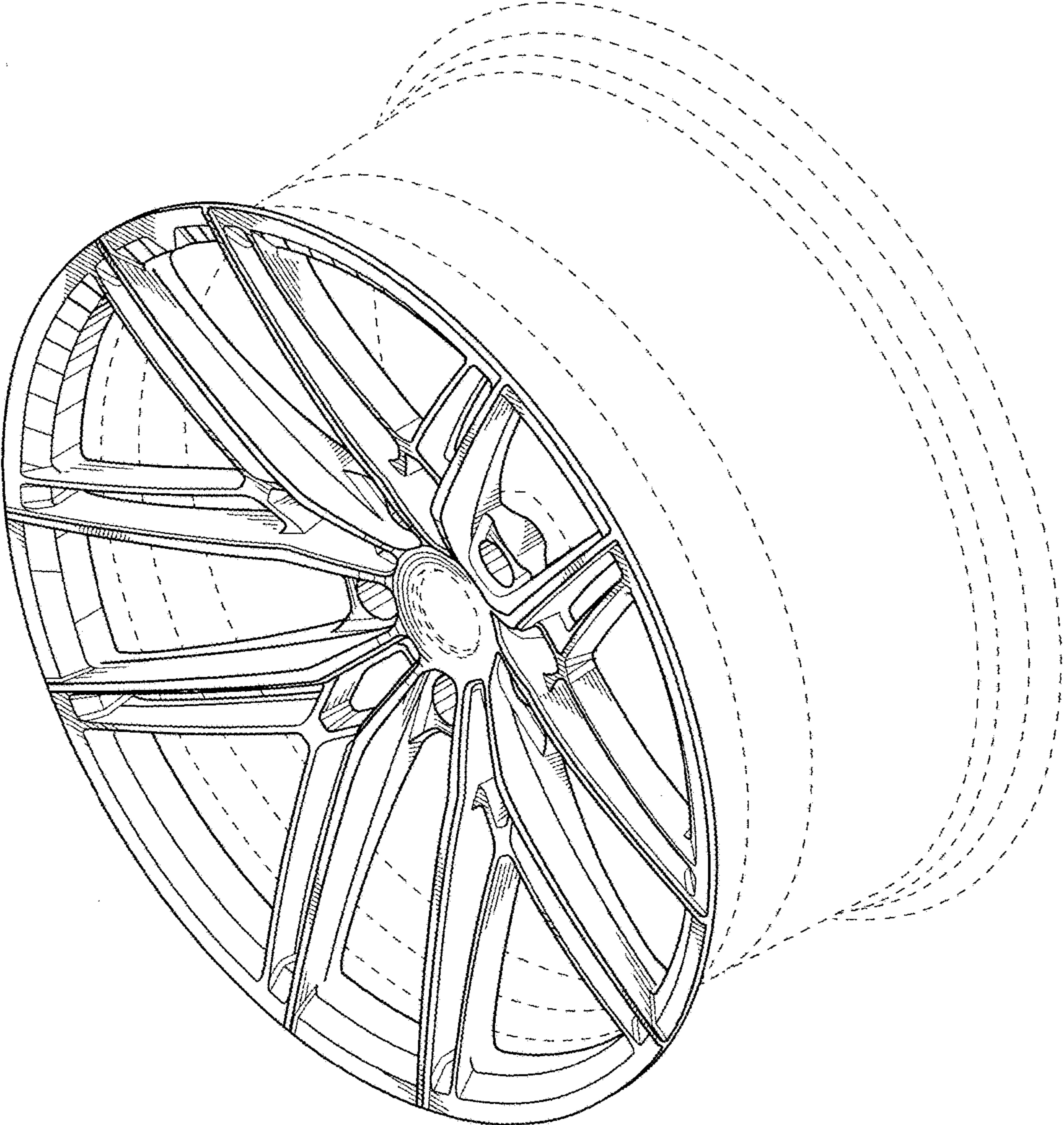


FIG. 1

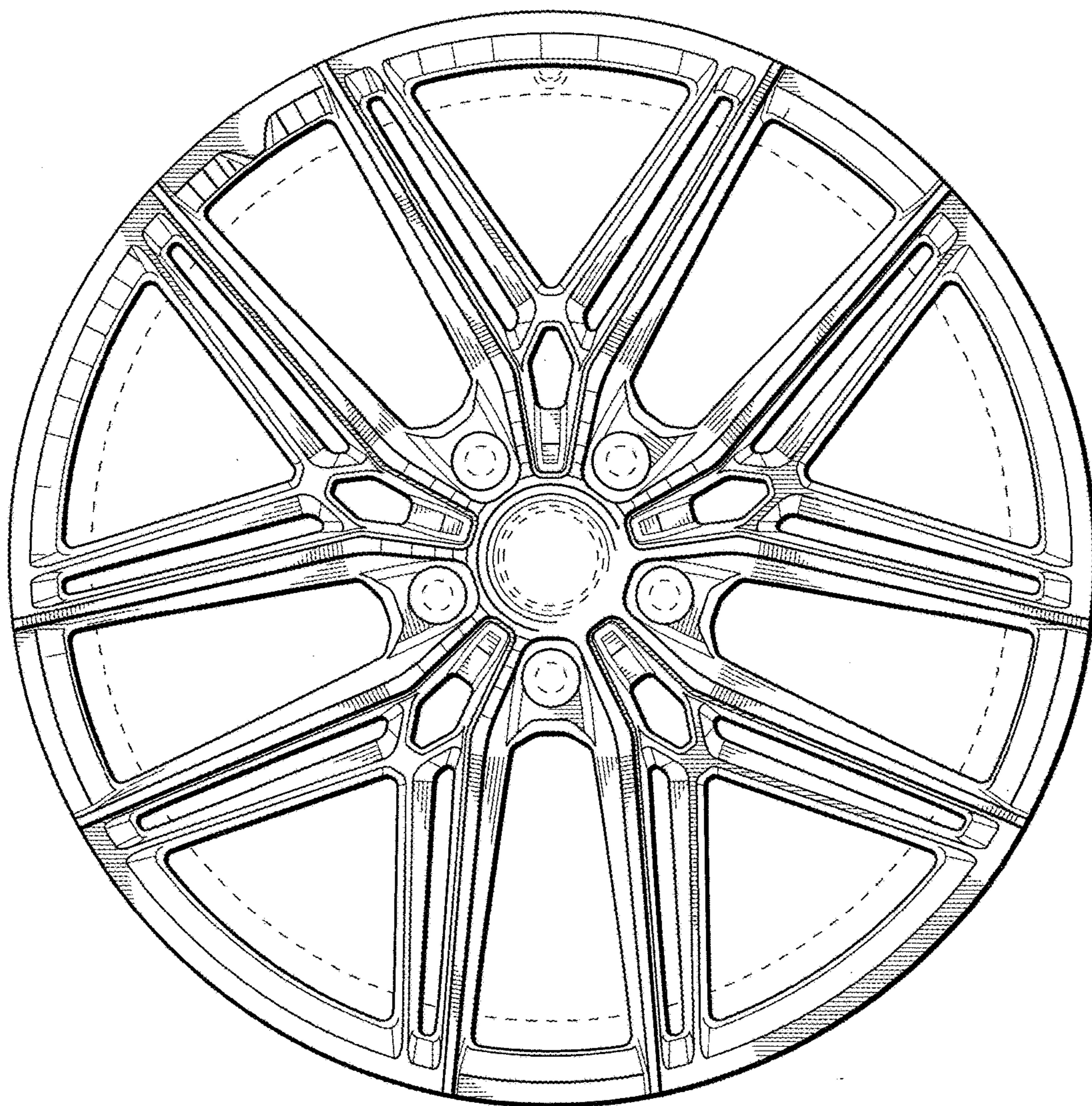


FIG. 2