



US00D870008S

(12) **United States Design Patent**  
**Von Holzhausen et al.**

(10) **Patent No.:** **US D870,008 S**

(45) **Date of Patent:** **\*\* Dec. 17, 2019**

- (54) **VEHICLE SIDE SKIRT**
- (71) Applicant: **Tesla, Inc.**, Palo Alto, CA (US)
- (72) Inventors: **Franz Von Holzhausen**, Malibu, CA (US); **David Tadashi Imai**, Los Angeles, CA (US); **Randy Rodriguez**, Torrance, CA (US)
- (73) Assignee: **Tesla, Inc.**, Palo Alto, CA (US)
- (\*\*) Term: **15 Years**
- (21) Appl. No.: **29/619,065**
- (22) Filed: **Sep. 26, 2017**
- (51) **LOC (12) Cl.** ..... **12-16**
- (52) **U.S. Cl.**  
USPC ..... **D12/196**
- (58) **Field of Classification Search**  
USPC ..... D12/166, 167, 169, 171, 172, 181, 183,  
D12/190, 196, 216; D25/48.2, 58, 60,  
D25/136, 138, 141, 154, 159, 161, 162;  
D18/11, 12, 32, 34.3, 34.7, 34.8, 34.9, 41,  
D18/18, 56  
CPC ..... B60R 1/06; B62D 25/10; B62D 25/16;  
B62D 25/168  
See application file for complete search history.

(56) **References Cited**

**U.S. PATENT DOCUMENTS**

- D313,966 S \* 1/1991 Marlowe ..... D12/181
- 5,499,690 A \* 3/1996 Shearn ..... B60K 11/04  
180/68.4
- 5,576,899 A \* 11/1996 Englander ..... B60R 1/06  
248/475.1
- 5,826,672 A \* 10/1998 Holter ..... B62D 25/10  
180/69.21
- 5,947,520 A \* 9/1999 McHorse ..... B62D 35/001  
280/154
- D424,495 S \* 5/2000 Damon ..... D12/196
- D431,806 S \* 10/2000 Damon ..... D12/196

- 6,230,832 B1 \* 5/2001 von Mayenburg .... B60K 11/08  
180/68.1
- 6,454,035 B1 \* 9/2002 Waskow ..... B62D 33/067  
180/69.21
- 6,644,720 B2 \* 11/2003 Long ..... B62D 25/168  
296/180.4
- D491,851 S \* 6/2004 Perfetti ..... D12/181  
(Continued)

**OTHER PUBLICATIONS**

“How to Install Vinyl Wall Base.” Oct. 16, 2014, Wall Protex.  
[https://www.wallprotex.com/news/products/how-to-install-vinyl-wall-base.\\*](https://www.wallprotex.com/news/products/how-to-install-vinyl-wall-base.*)

*Primary Examiner* — Susan Bennett Hattan  
*Assistant Examiner* — Suzanne E Tisdell

(74) *Attorney, Agent, or Firm* — Knobbe, Martens, Olson & Bear, LLP

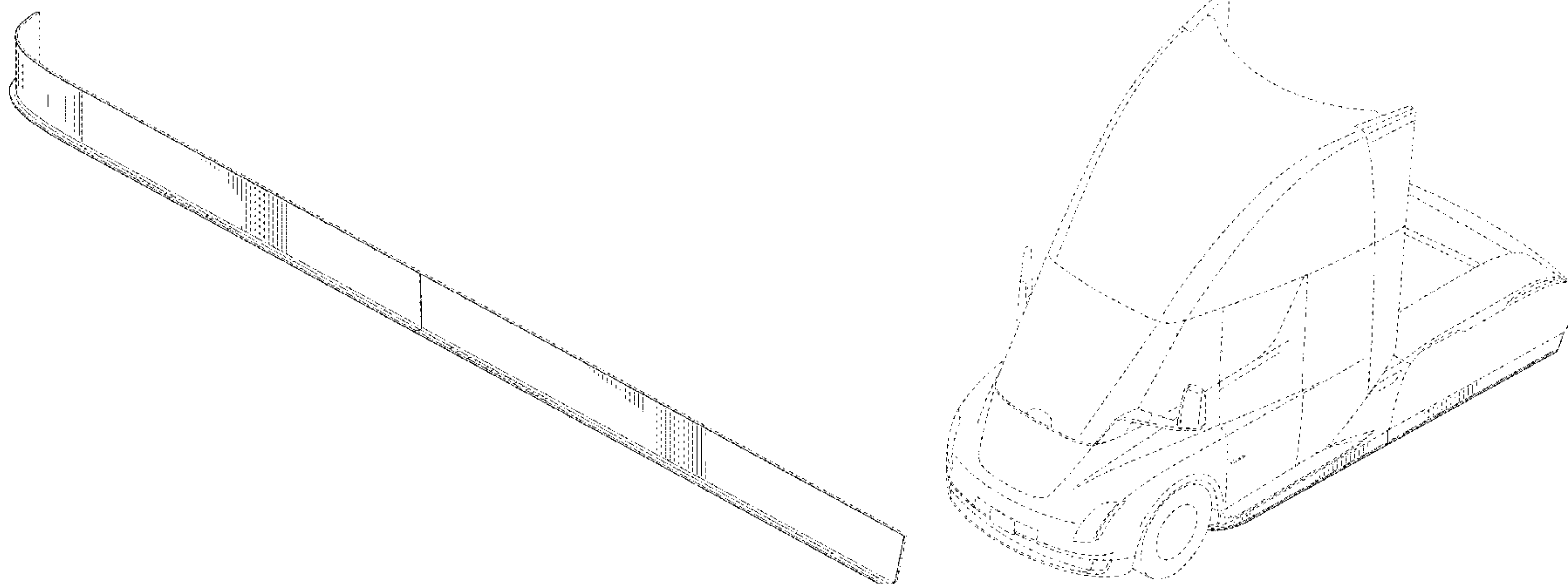
(57) **CLAIM**

The ornamental design for a vehicle side skirt, as shown and described.

**DESCRIPTION**

FIG. 1 is a perspective view of a vehicle side skirt.  
 FIG. 2 is a front elevational view of the vehicle side skirt of FIG. 1.  
 FIG. 3 is a back elevational view of the vehicle side skirt of FIG. 1.  
 FIG. 4 is a left side elevational view of the vehicle side skirt of FIG. 1.  
 FIG. 5 is a right side elevational view of the vehicle side skirt of FIG. 1.  
 FIG. 6 is a top plan view of the vehicle side skirt of FIG. 1.  
 FIG. 7 is a bottom plan view of the vehicle side skirt of FIG. 1; and,  
 FIG. 8 is a perspective view of the vehicle side skirt of FIG. 1 as part of a semi-truck cab.  
 The items shown with broken lines form no part of the claimed design.

**1 Claim, 5 Drawing Sheets**



(56)

**References Cited**

U.S. PATENT DOCUMENTS

D535,597	S *	1/2007	Herpel	.....	D12/181
7,195,307	B2 *	3/2007	Tucker	.....	B62D 25/10
					16/225
8,226,158	B1 *	7/2012	Jackson	.....	B62D 25/168
					280/160
8,528,936	B2 *	9/2013	Johnson	.....	B62D 25/18
					180/271
D707,608	S *	6/2014	Smith	.....	D12/181
8,800,703	B2 *	8/2014	Miller	.....	B62D 25/10
					180/69.2
D760,633	S *	7/2016	Peltola	.....	D12/181
D772,127	S *	11/2016	Heilaneh	.....	D12/181
D773,360	S *	12/2016	Heilaneh	.....	D12/181
D782,381	S *	3/2017	Conway	.....	D12/196
D782,947	S *	4/2017	Sausaman	.....	D12/181
9,643,658	B2 *	5/2017	Jaynes	.....	B62D 25/168
D788,667	S *	6/2017	Dempsey	.....	D12/183
D796,700	S *	9/2017	Walter	.....	D25/138
D805,215	S *	12/2017	Fowler	.....	D25/48.2
D805,981	S *	12/2017	Conway	.....	D12/196
D809,985	S *	2/2018	Milton	.....	D12/196
D812,535	S *	3/2018	Milton	.....	D12/181
D813,772	S *	3/2018	Anderson	.....	D12/196
D814,376	S *	4/2018	Anderson	.....	D12/196
D816,004	S *	4/2018	Milton	.....	D12/196
2003/0072094	A1 *	4/2003	Englander	.....	B60R 1/0605
					359/871
2003/0146648	A1 *	8/2003	Lustig	.....	B62D 25/10
					296/190.11
2005/0028722	A1 *	2/2005	Arntz	.....	G09F 17/00
					116/173

\* cited by examiner

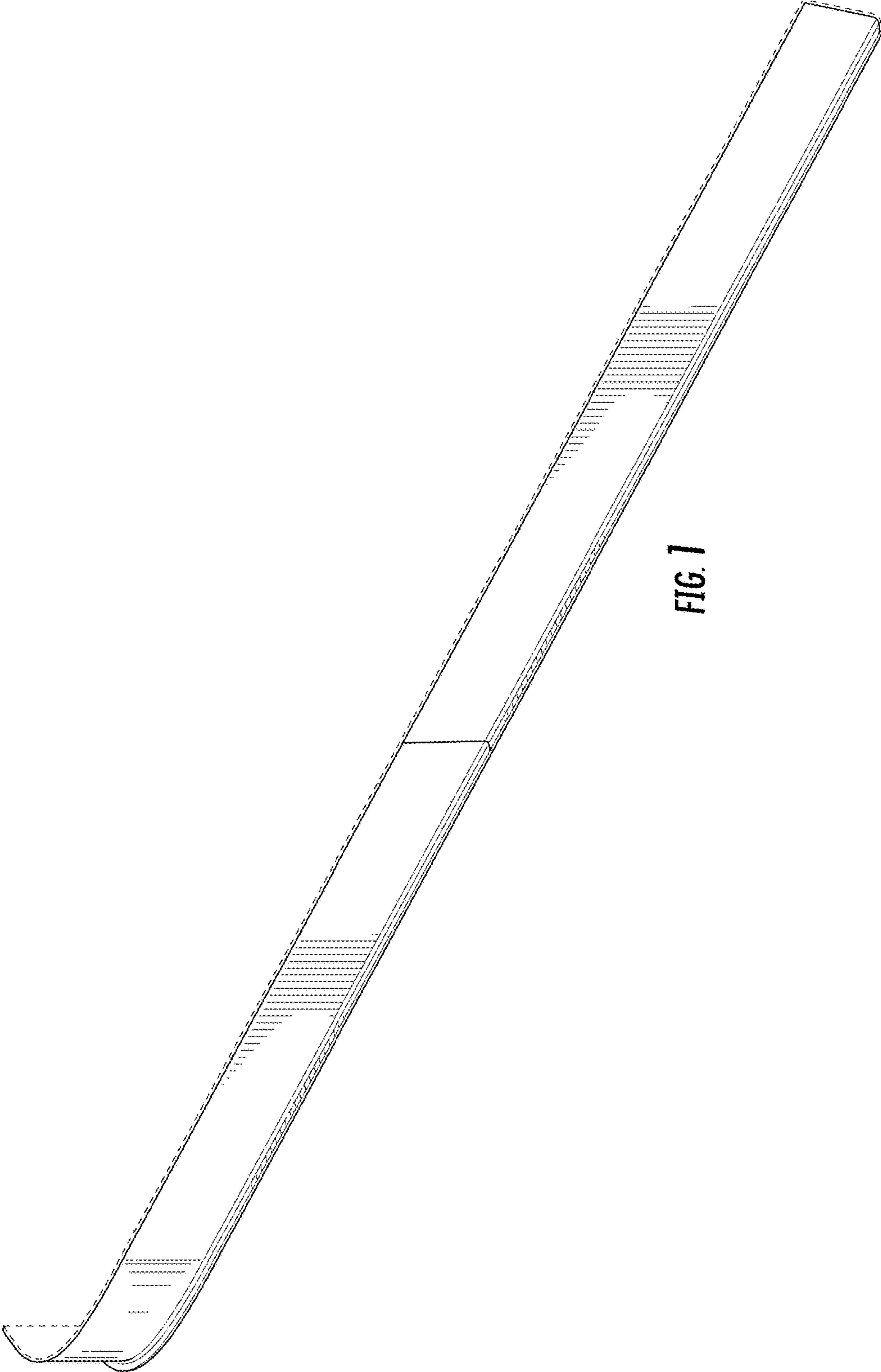
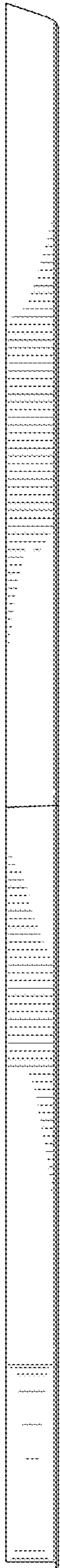
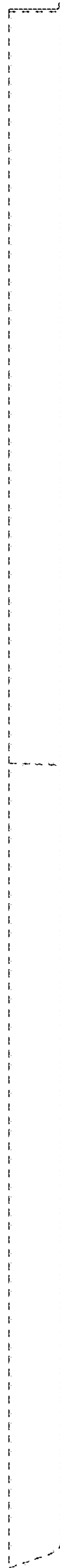


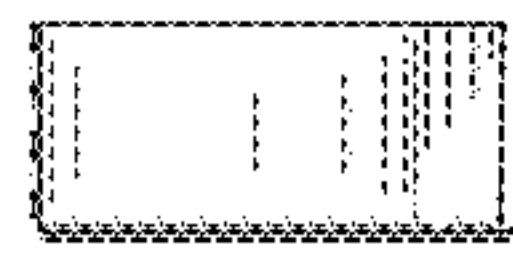
FIG. 1



**FIG. 2**



**FIG. 3**



*FIG. 4*



*FIG. 5*

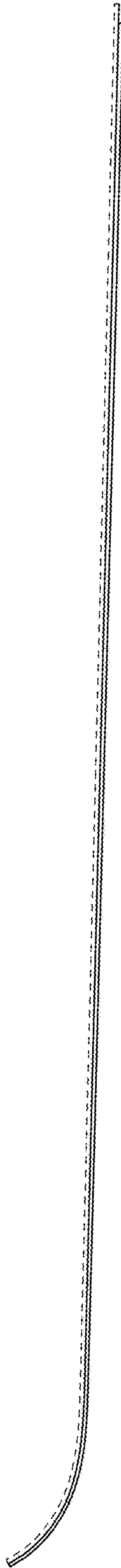


FIG. 6

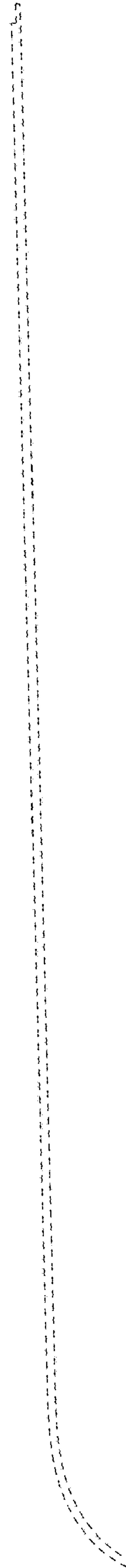


FIG. 7



