



US00D870007S

(12) **United States Design Patent**  
**Rose**

(10) **Patent No.:** **US D870,007 S**

(45) **Date of Patent:** **\*\* Dec. 17, 2019**

- (54) **VEHICLE DISPLAY DEVICE**
- (71) Applicant: **RIDESHARE DISPLAYS, INC.**,  
Fairfield, NJ (US)
- (72) Inventor: **Steve Rose**, Roseland, NJ (US)
- (73) Assignee: **RIDESHARE DISPLAYS, INC.**,  
Fairfield, NJ (US)
- (\*\*) Term: **15 Years**
- (21) Appl. No.: **29/648,176**
- (22) Filed: **May 18, 2018**
- (51) **LOC (12) Cl.** ..... **12-16**
- (52) **U.S. Cl.**  
USPC ..... **D12/190**
- (58) **Field of Classification Search**  
USPC .... D12/190, 400, 192, 90, 91, 92, 196, 197,  
D12/198, 199, 200, 171, 163, 110, 114  
CPC ..... B60R 13/005; B60R 13/02; B60R 13/04  
See application file for complete search history.

- D571,399 S \* 6/2008 Hammad ..... D14/436
- D592,252 S \* 5/2009 Crosby ..... D20/28
- D626,993 S \* 11/2010 Law ..... D14/436
- D627,029 S \* 11/2010 Heiden ..... D22/107
- D674,561 S \* 1/2013 Hoysak ..... D30/124
- D717,515 S \* 11/2014 Khan ..... D99/5
- D733,574 S \* 7/2015 Walker-Spry ..... D9/457
- D800,961 S \* 10/2017 Silva ..... D28/7

\* cited by examiner

*Primary Examiner* — Katrina A Betton

(57) **CLAIM**

I claim the ornamental design for a vehicle display device, as shown and described.

**DESCRIPTION**

FIG. 1 is a perspective view of my new design for a vehicle display device, featuring the top, front and right sides thereof;

FIG. 2 is a front elevational view thereof;

FIG. 3 is a left side elevational view thereof;

FIG. 4 is a right side elevational view thereof;

FIG. 5 is a rear elevational view thereof;

FIG. 6 is a top elevational view thereof; and,

FIG. 7 is a bottom devotional view thereof.

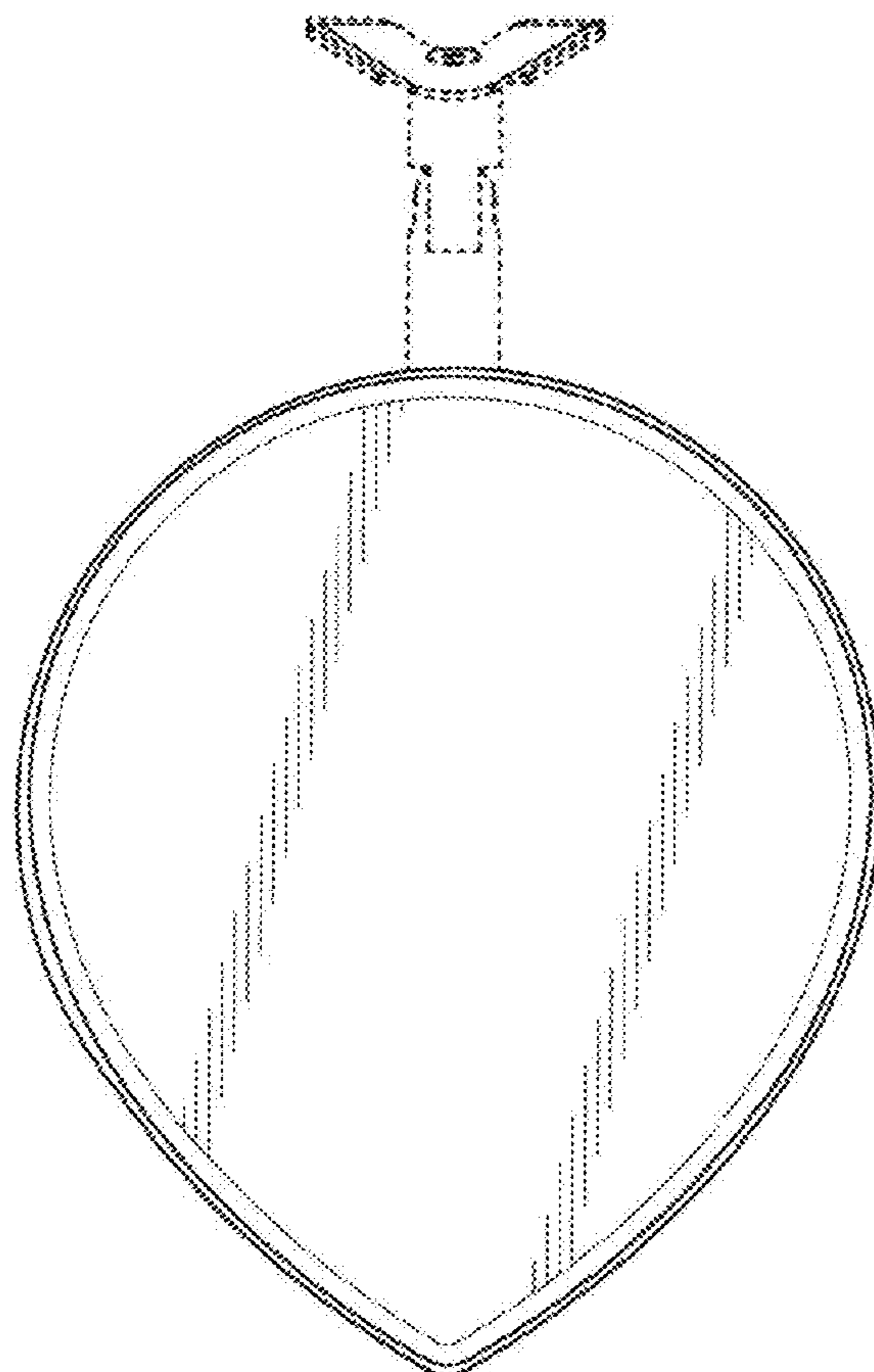
In the drawings, the broken lines depict portions of a vehicle that form no part of the claimed design.

(56) **References Cited**

**U.S. PATENT DOCUMENTS**

- D527,056 S \* 8/2006 Manville ..... D21/386
- D558,283 S \* 12/2007 Mollet ..... D21/680

**1 Claim, 7 Drawing Sheets**



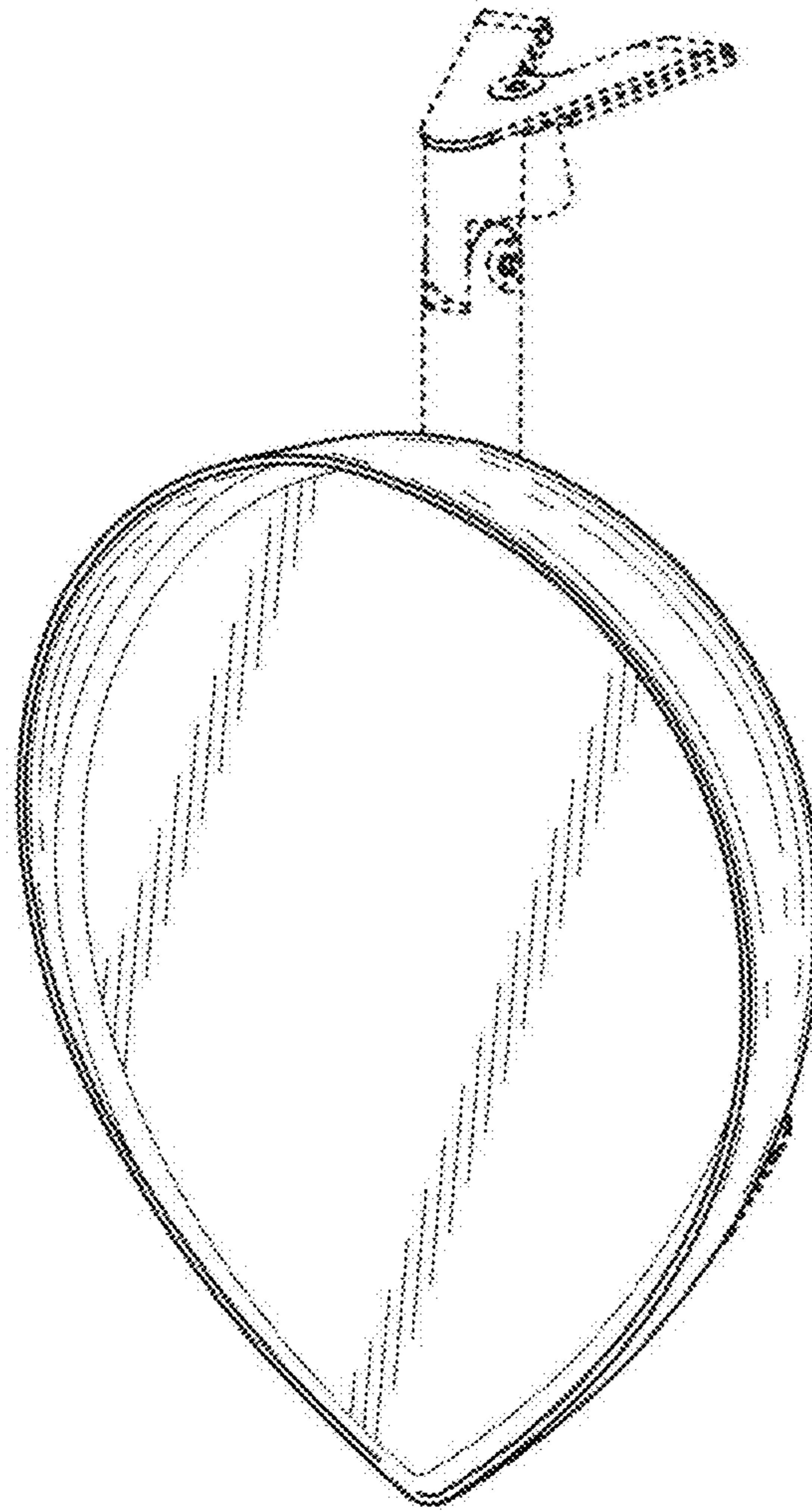


FIG. 1

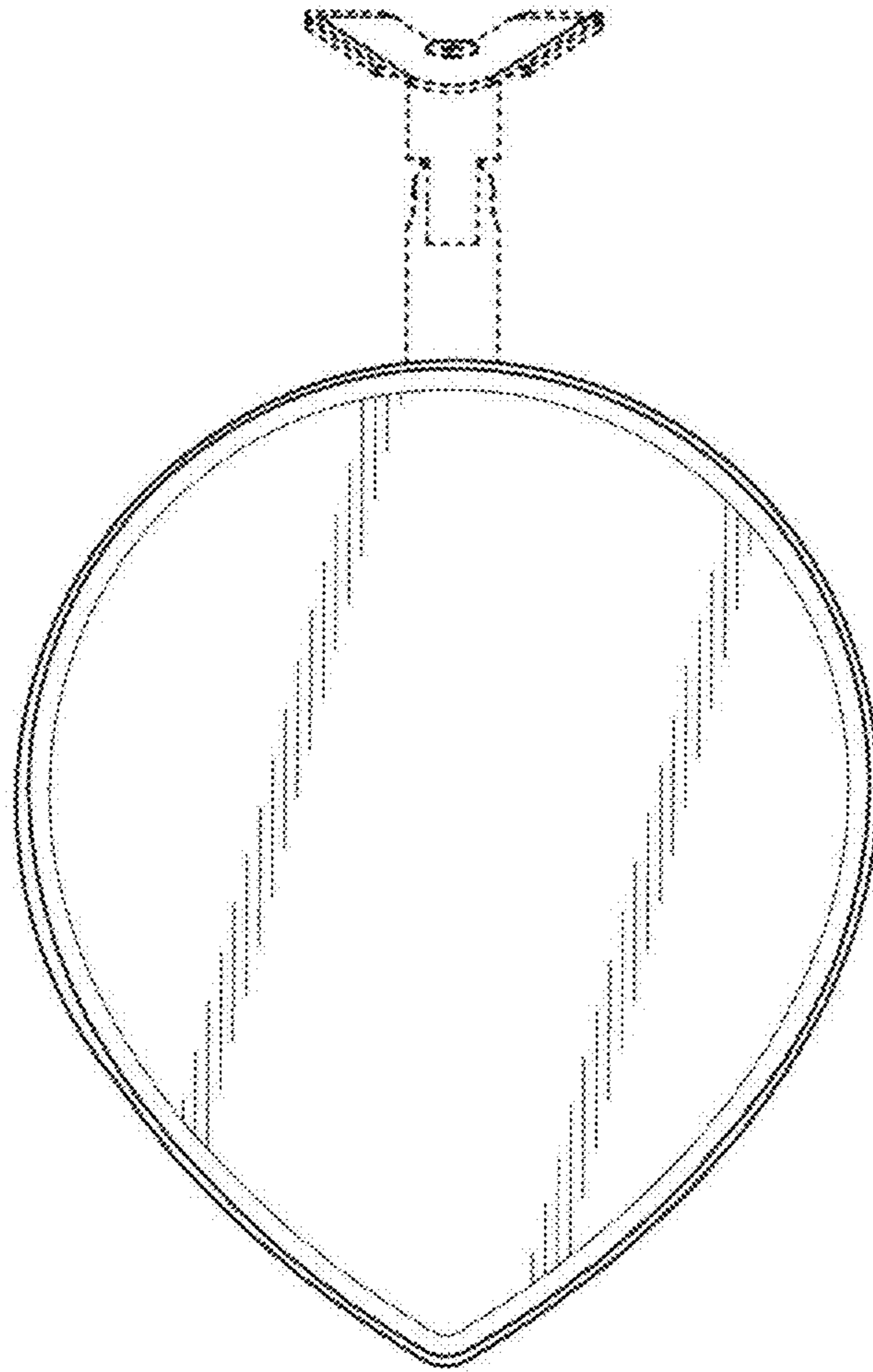


FIG. 2

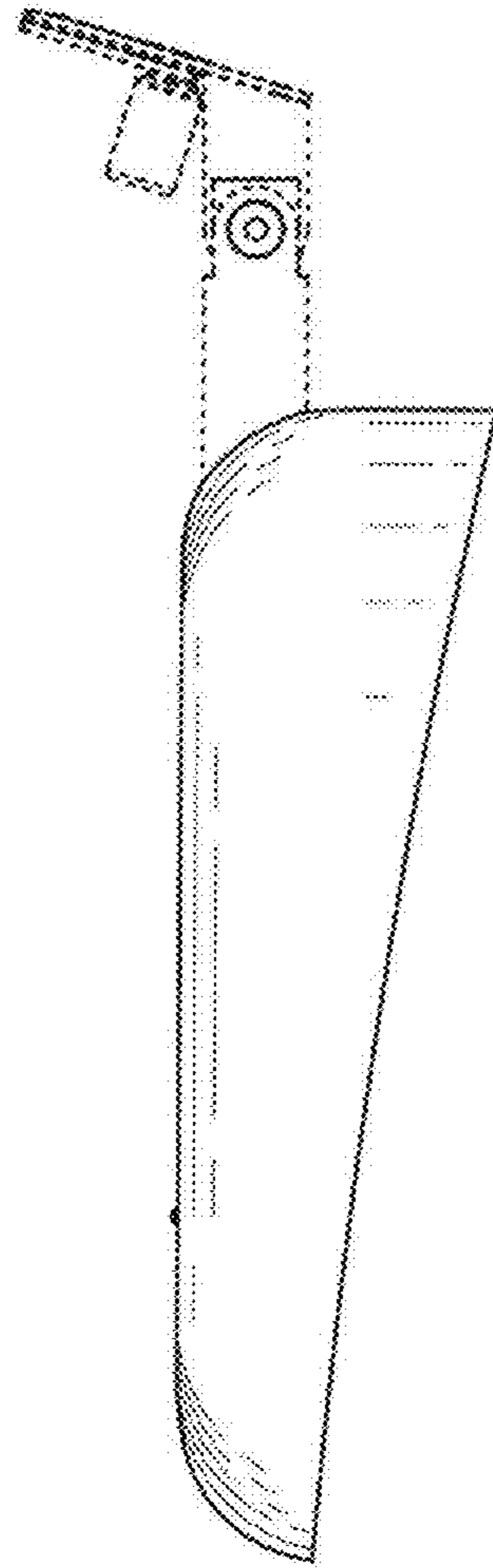


FIG. 3

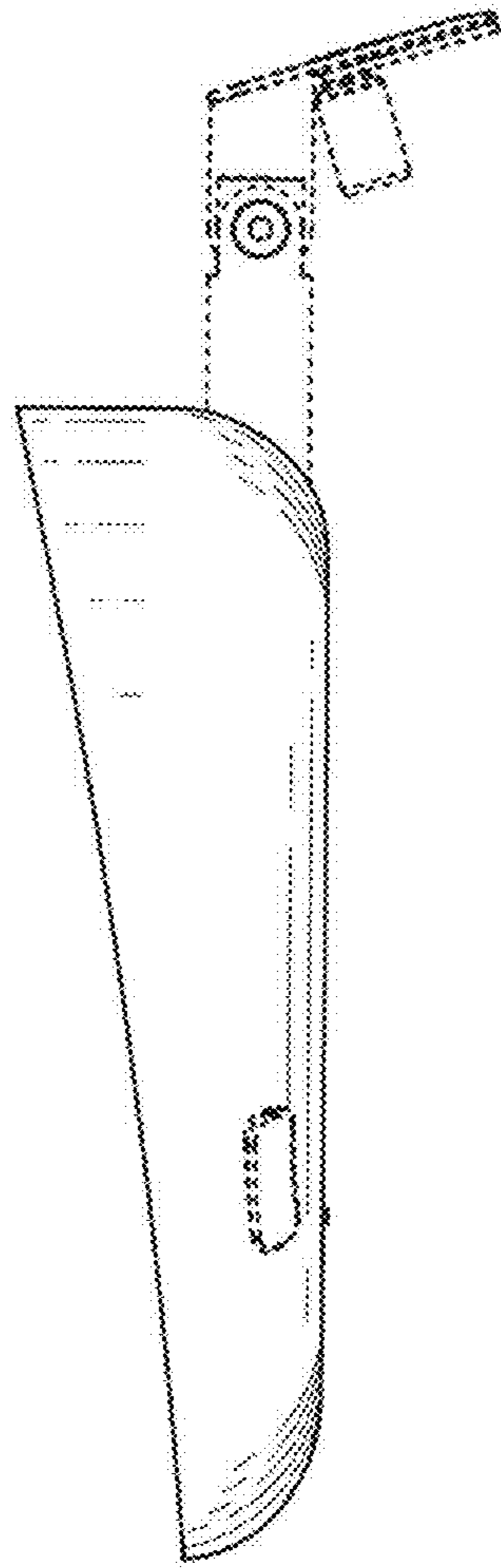


FIG. 4

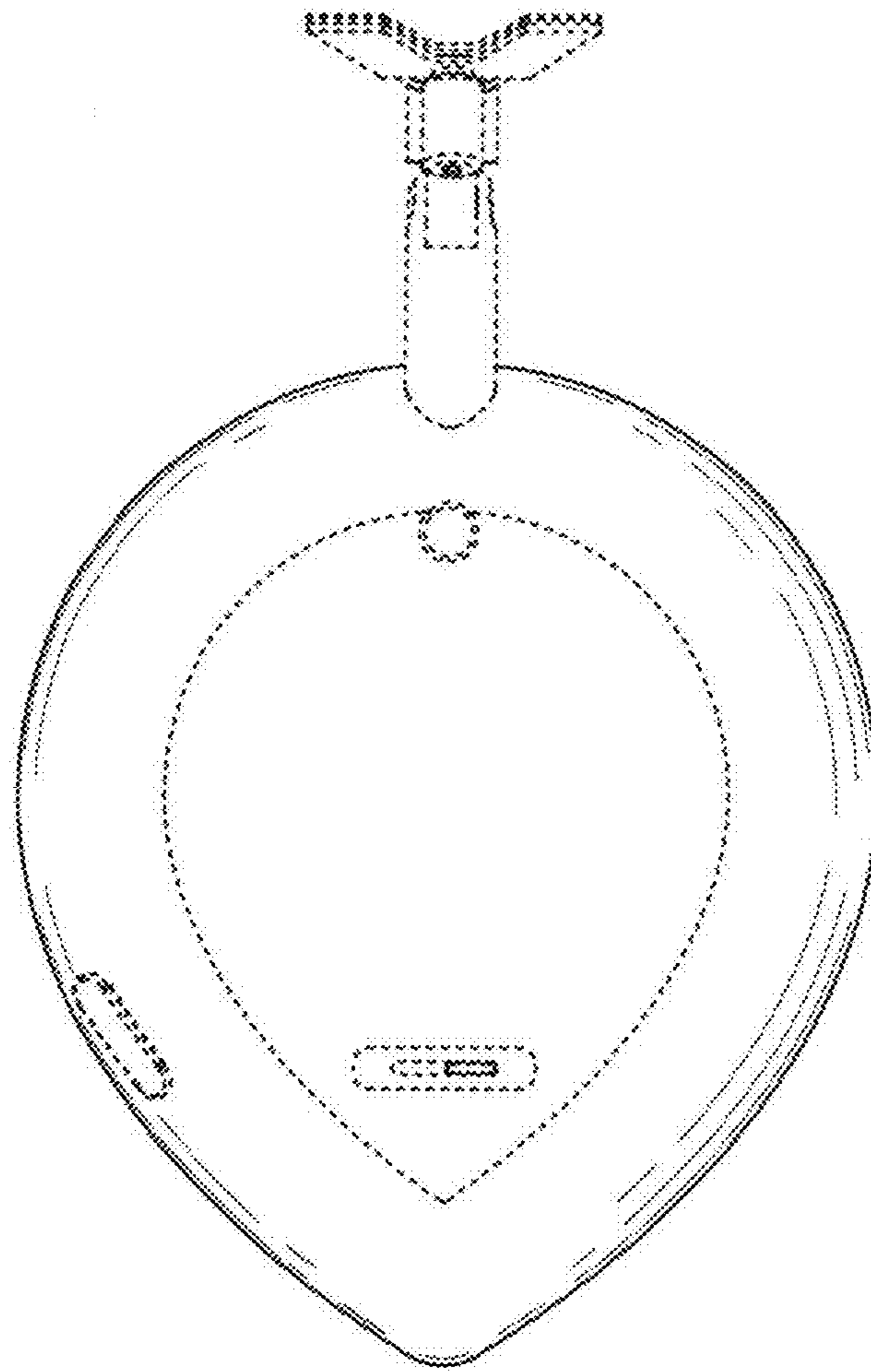


FIG. 5

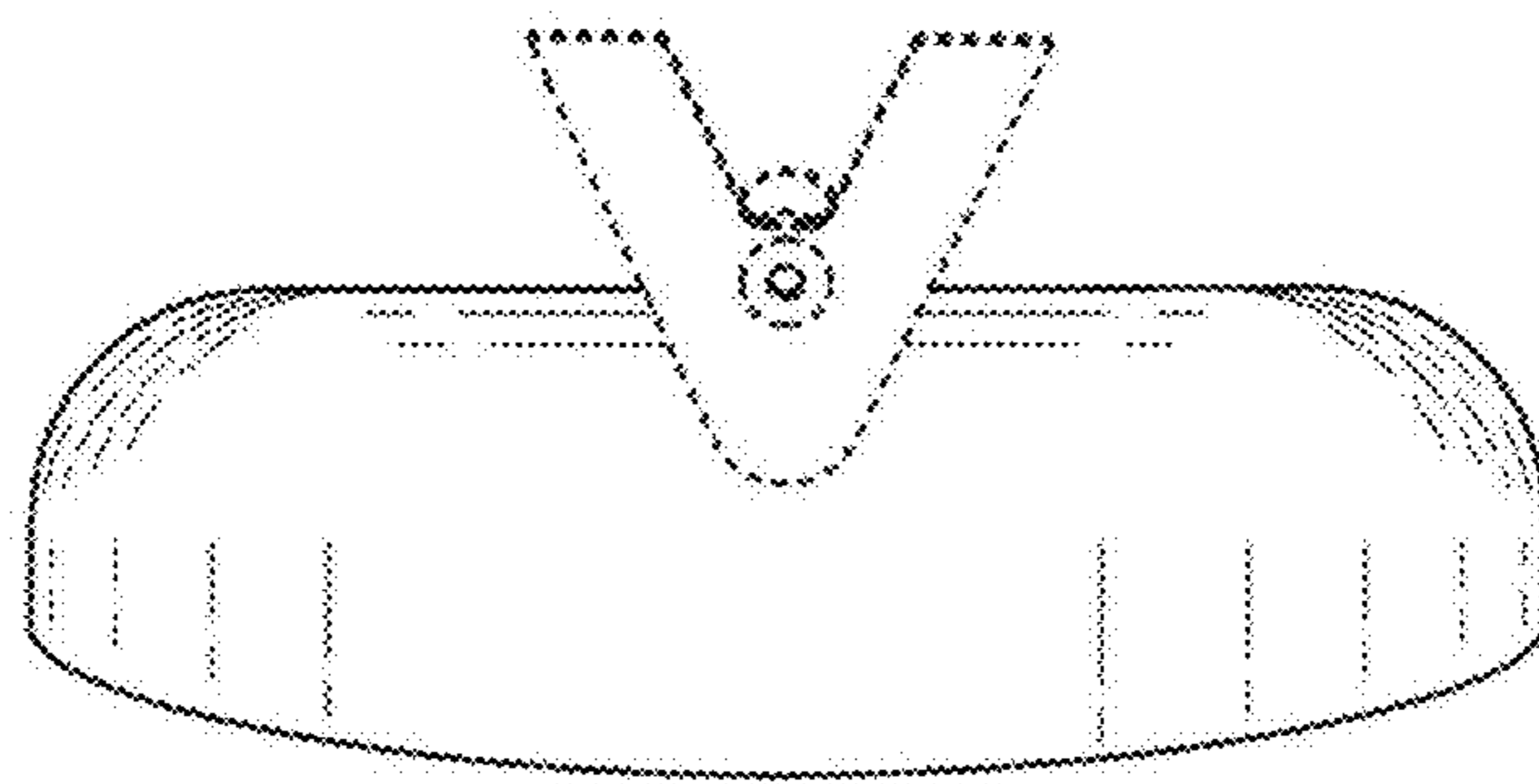


FIG. 6

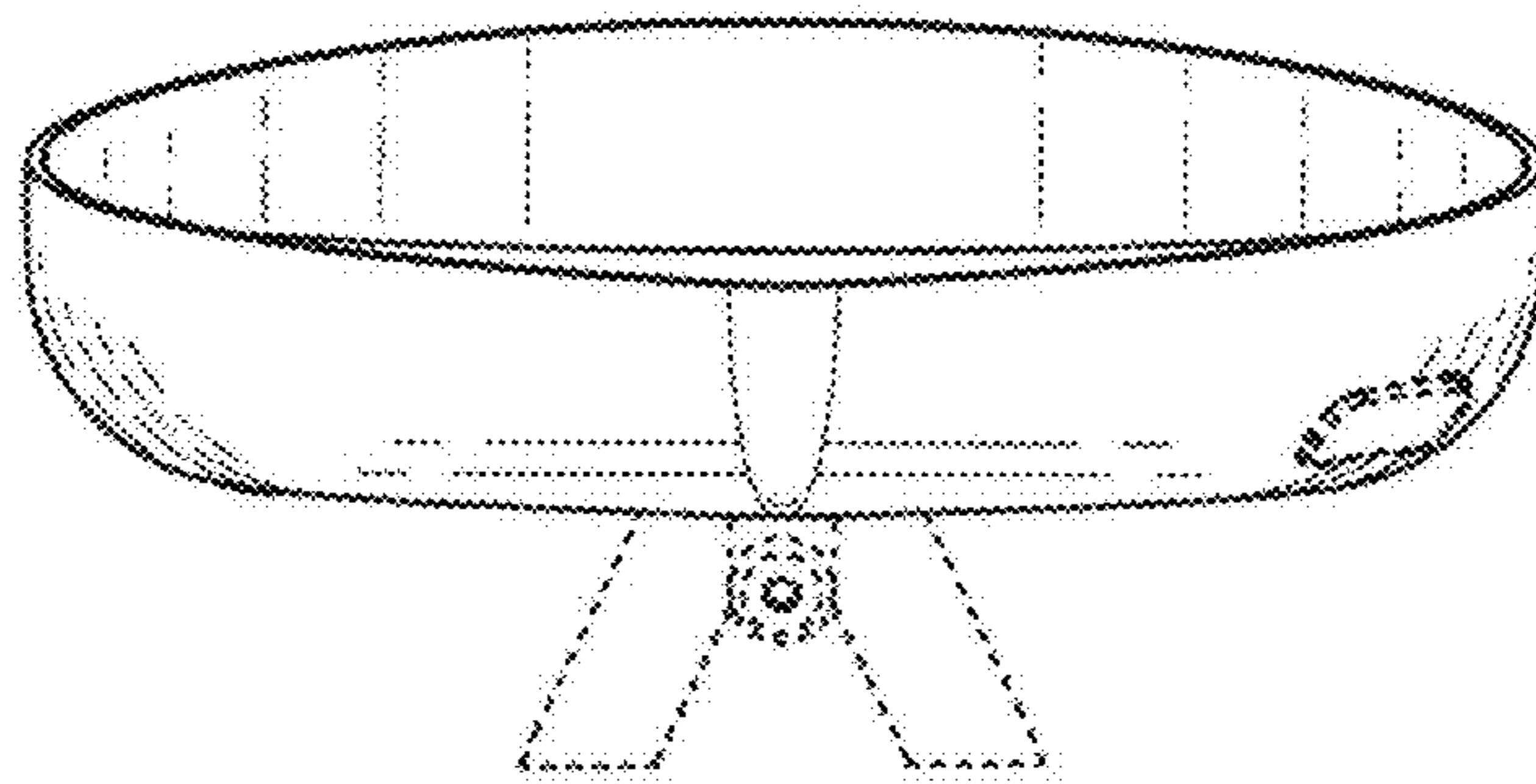


FIG. 7