



US00D870006S

(12) **United States Design Patent** (10) **Patent No.:** **US D870,006 S**
Chen (45) **Date of Patent:** **** Dec. 17, 2019**

(54) **REARVIEW MIRROR**
(71) Applicant: **CHRIS CAM INDUSTRY INC.,**
Tainan (TW)
(72) Inventor: **Cheng-Chung Chen,** Tainan (TW)
(73) Assignee: **Chris Cam Industry Inc.,** Tainan (TW)
(**) Term: **15 Years**
(21) Appl. No.: **29/642,892**
(22) Filed: **Apr. 3, 2018**
(51) **LOC (12) Cl.** **12-16**
(52) **U.S. Cl.**
USPC **D12/187**
(58) **Field of Classification Search**
USPC D12/187, 188, 189, 195, 179, 192;
D6/300
CPC B60R 1/074; B60R 1/075; B60R 1/078;
B60R 1/081; B60R 1/082; B60R 1/06;
B60R 1/076; B60R 1/08; G02B 7/18;
G02B 7/182; G02B 5/08
See application file for complete search history.

D642,504 S * 8/2011 Tonello D12/187
D644,151 S * 8/2011 Chen D12/187
D663,662 S * 7/2012 Hamilton D12/187
D688,175 S * 8/2013 Campbell D12/187
D688,176 S * 8/2013 Campbell D12/187
D691,077 S * 10/2013 Davis D12/187

(Continued)

FOREIGN PATENT DOCUMENTS

ES 2168071 * 5/2002
JP 2015024755 * 2/2015 B60R 1/06

OTHER PUBLICATIONS

Replace—Towing Mirrors, CaridID.com, [online], [site visited Aug. 15, 2019]. <URL: <https://www.carid.com/replace/towing-mirrors.html>> (Year: 2019).*

(Continued)

Primary Examiner — T Chase Nelson
Assistant Examiner — Jonathan J. Han
(74) *Attorney, Agent, or Firm* — Rosenberg, Klein & Lee

(57) **CLAIM**

The ornamental design for a rearview mirror, as shown and described.

DESCRIPTION

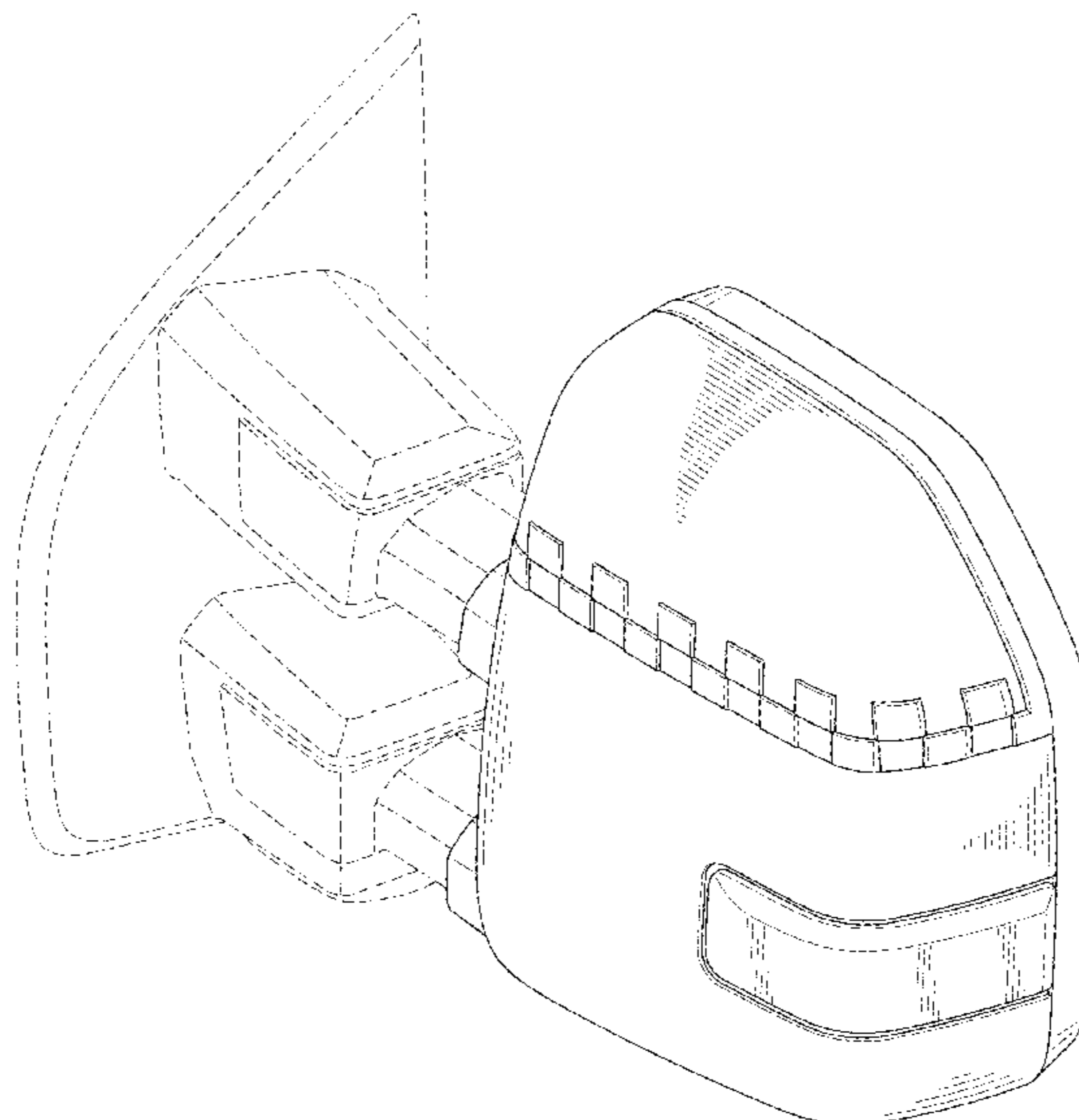
FIG. 1 is a perspective view of a rearview mirror showing my new design;
FIG. 2 is a front elevational view thereof;
FIG. 3 is a rear elevational view thereof;
FIG. 4 is a left side elevational view thereof;
FIG. 5 is a right side elevational view thereof;
FIG. 6 is a top plan view thereof; and,
FIG. 7 is a bottom plan view thereof.
The broken lines shown in the figures are included for illustrating unclaimed portions of the rearview mirror and form no part of the claimed design.

1 Claim, 7 Drawing Sheets

(56) **References Cited**

U.S. PATENT DOCUMENTS

D422,955 S * 4/2000 Gabath D12/187
D500,274 S * 12/2004 Pfeiffer D12/187
D543,918 S * 6/2007 Pfeiffer D12/187
D549,625 S * 8/2007 Pfeiffer D12/187
D587,638 S * 3/2009 Futschik D12/187
D603,774 S * 11/2009 Chen D12/187
D606,470 S * 12/2009 Mattin D12/187
D616,344 S * 5/2010 Bauer D12/187
D631,804 S * 2/2011 Chen D12/187
D631,805 S * 2/2011 Chen D12/187
D633,422 S * 3/2011 Futschik D12/187
D636,307 S * 4/2011 Lamm D12/187
D636,309 S * 4/2011 Matei D12/187
D636,310 S * 4/2011 Matei D12/187



(56)

References Cited

U.S. PATENT DOCUMENTS

D709,414 S *	7/2014	Platto	D12/187
D730,254 S *	5/2015	Glover	D12/187
D761,173 S *	7/2016	Faghihzadeh	D12/187
D776,588 S *	1/2017	Chen	D12/187
D777,068 S *	1/2017	Sterner	D12/187
D786,756 S *	5/2017	Chen	D12/187
D786,757 S *	5/2017	Chen	D12/187
D804,378 S *	12/2017	Perkins	D12/187
D804,379 S *	12/2017	McMahan	D12/187
D807,263 S *	1/2018	Piscitelli	D12/187
D809,442 S *	2/2018	Zipfel	D12/187
D840,885 S *	2/2019	Park Cheng	D12/187
D855,523 S *	8/2019	Perkins	D12/187

OTHER PUBLICATIONS

DEDC Ford Towing Mirror Right Passenger Side Mirror, Amazon.com, Date First Available: Jul. 17, 2015, [online], [site visited Aug. 15, 2019]. <URL: <https://www.amazon.com/DEDC-Towing-Mirror-Passenger-Mirrors/dp/B011TGTKUC>> (Year: 2015).*

Maxiii Trailer Mirror for Ford F250 F350 F450 F550 Super Duty 1999-2007, 2000-2005 Ford Excursion Towing Mirror, Amazon.com, Date First Available: Jul. 24, 2019, [online], [site visited Aug. 15, 2019]. <URL: https://www.amazon.com/dp/B07VORTLP3/ref=sspa_dk_detail_3?psc=1&pd_rd_i=B07VQRTLP3&> (Year: 2019).*

* cited by examiner

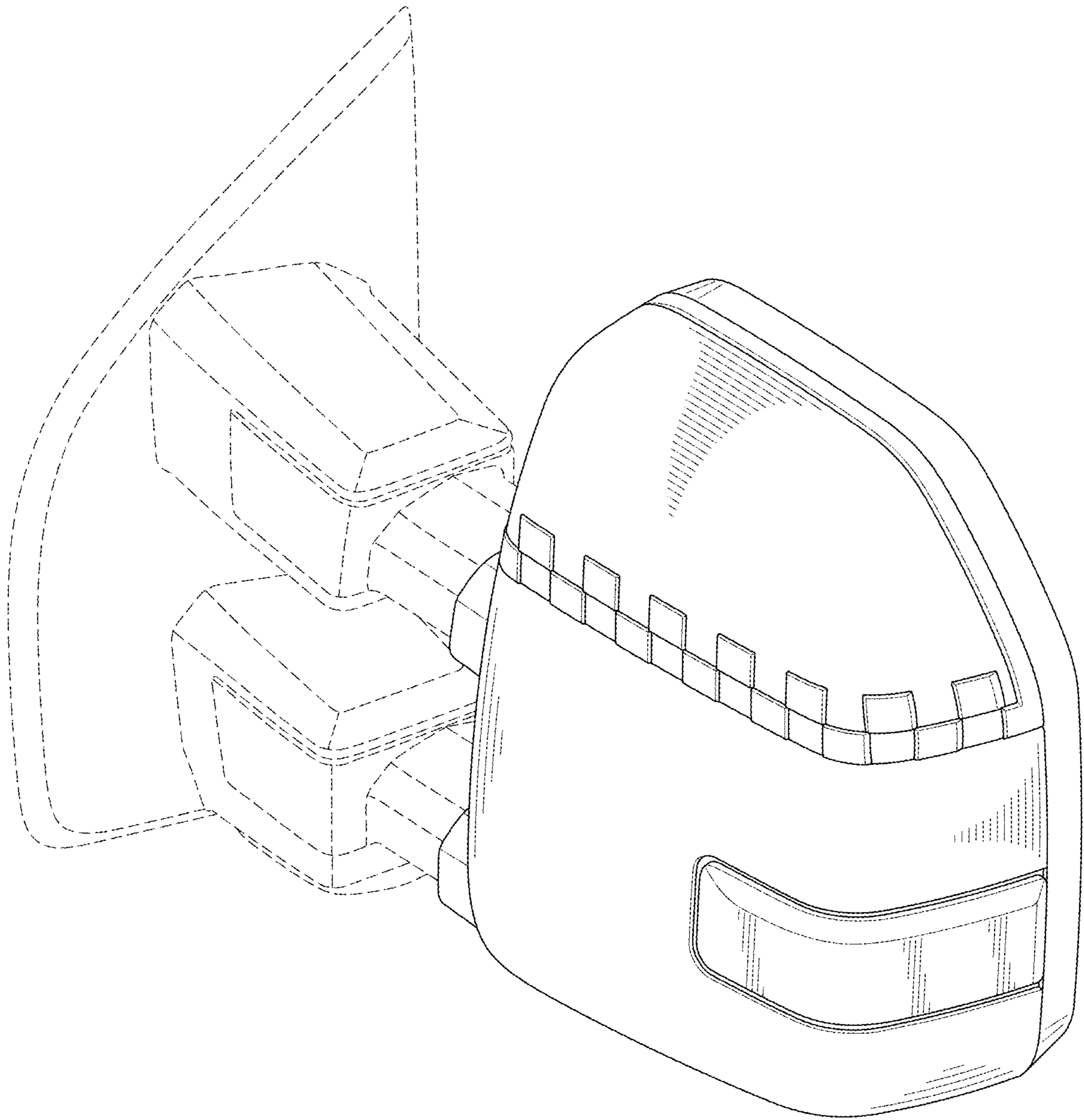


FIG. 1

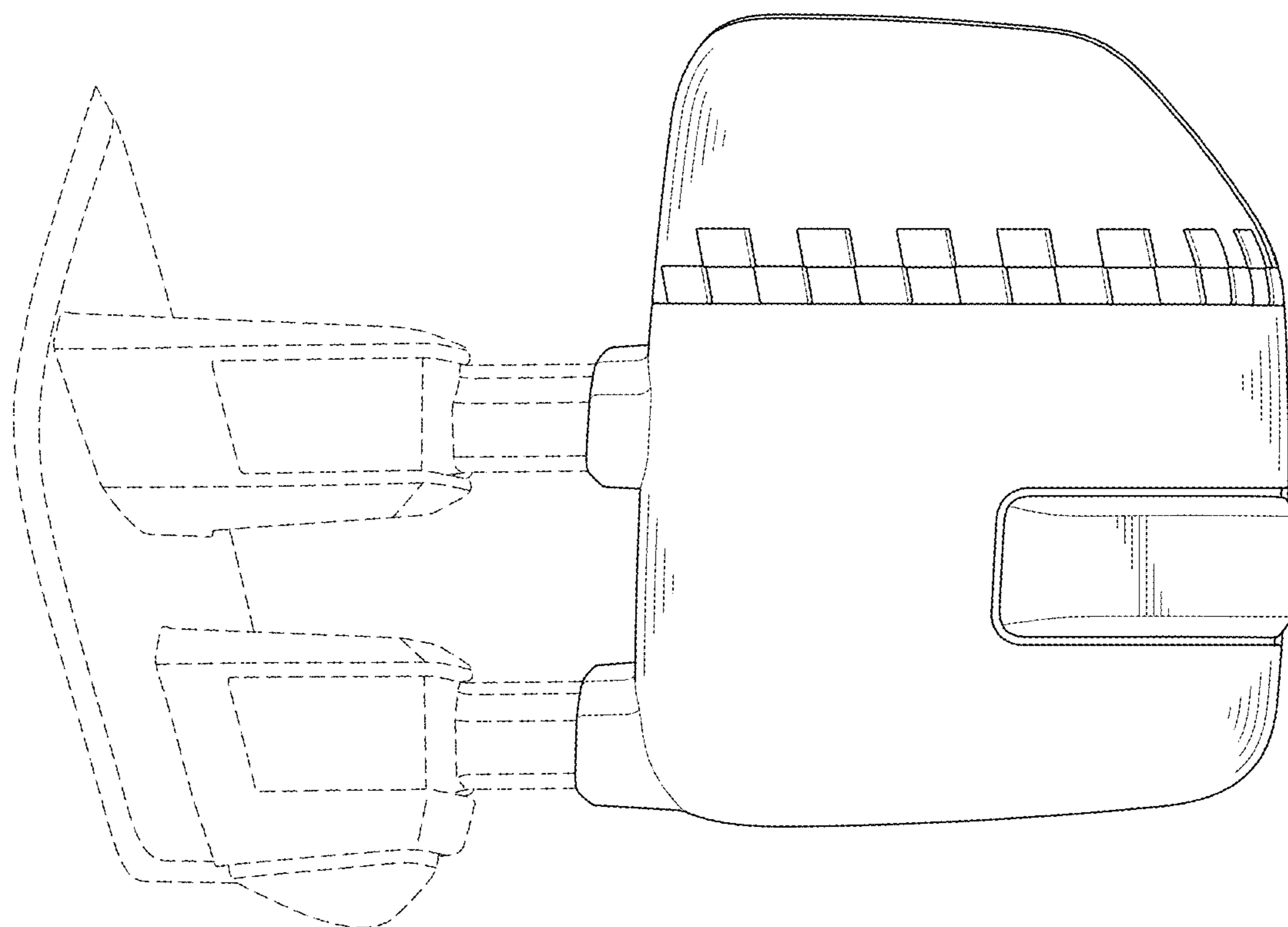


FIG. 2

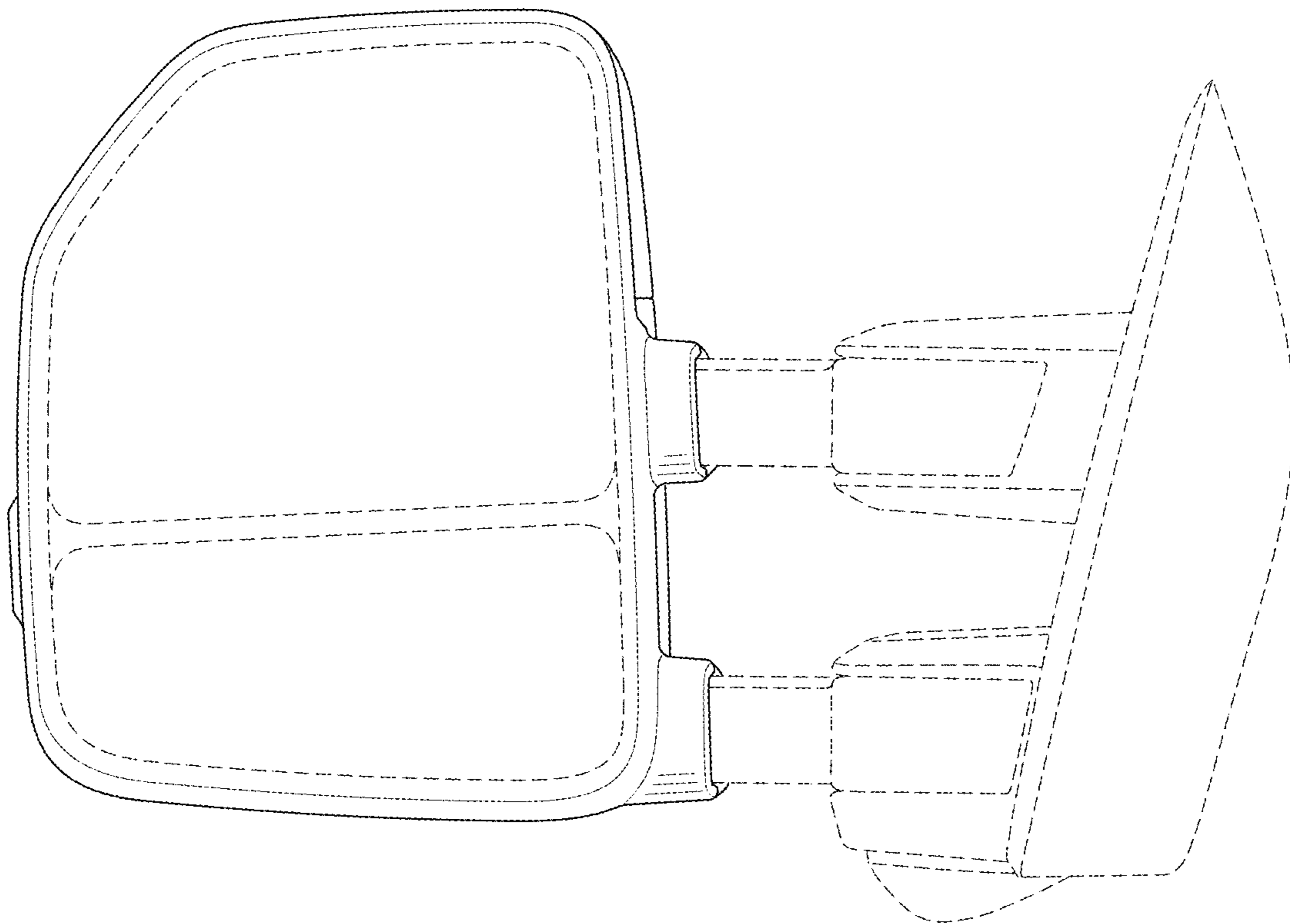


FIG. 3

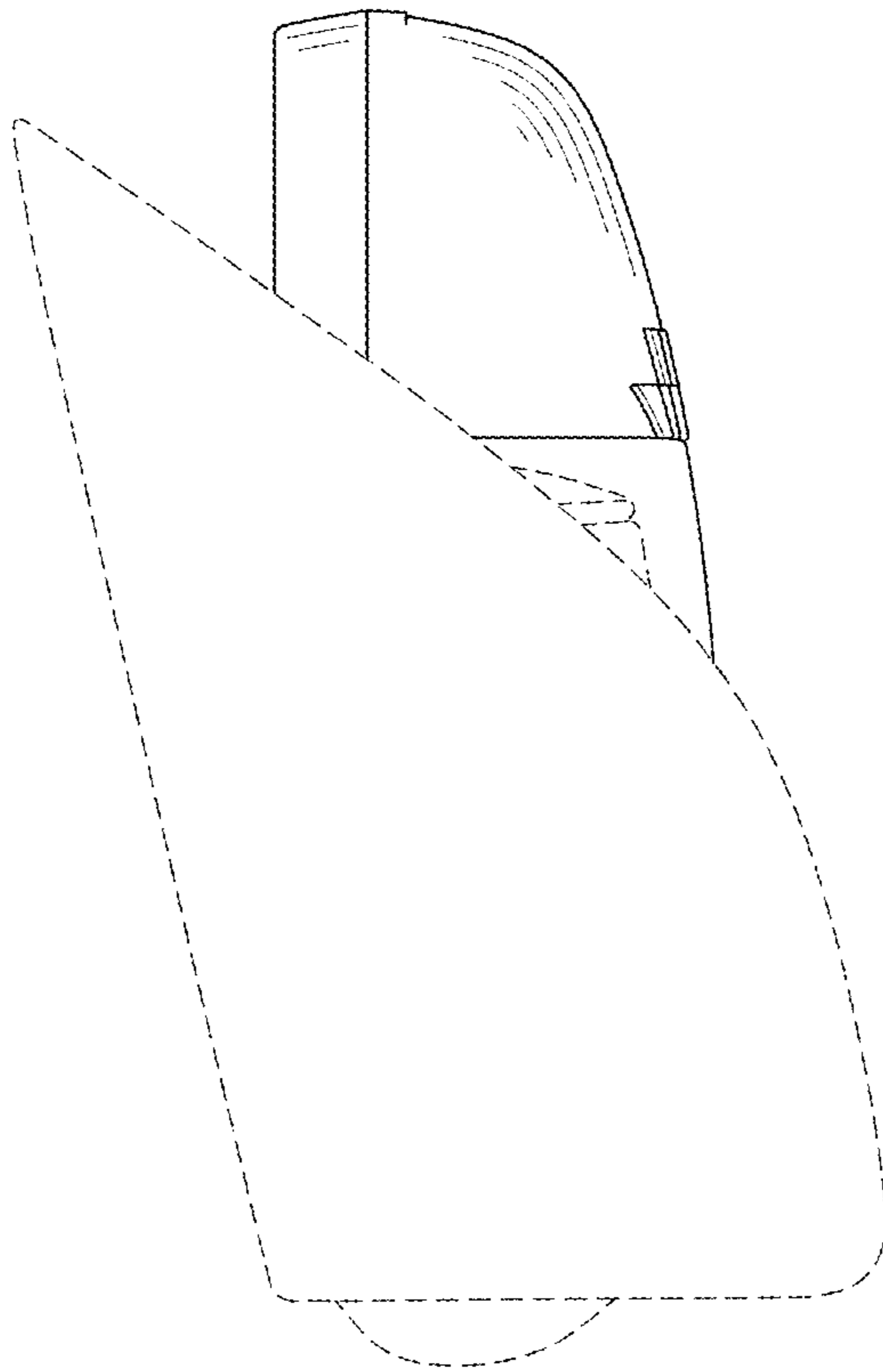


FIG. 4

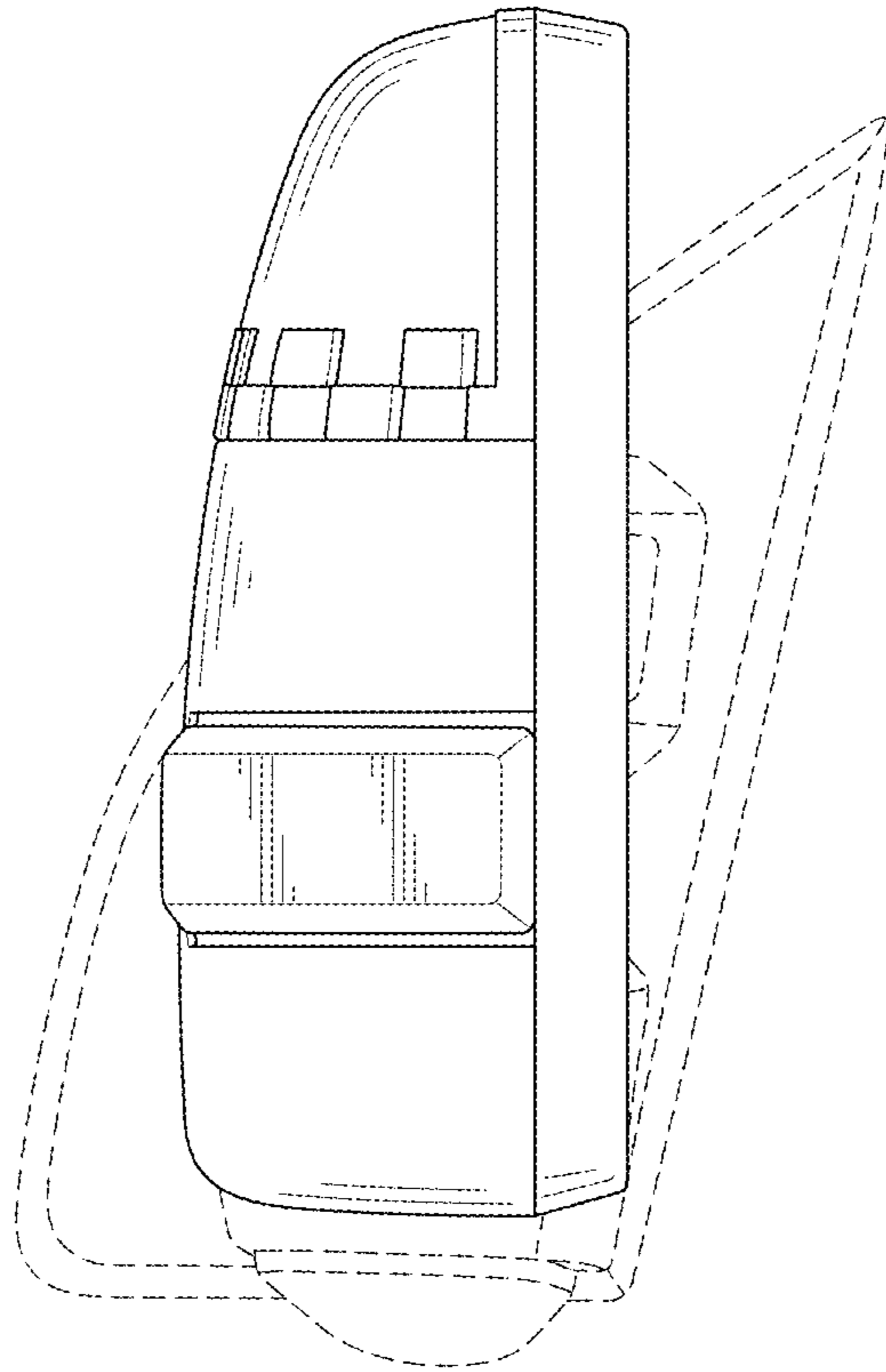


FIG. 5

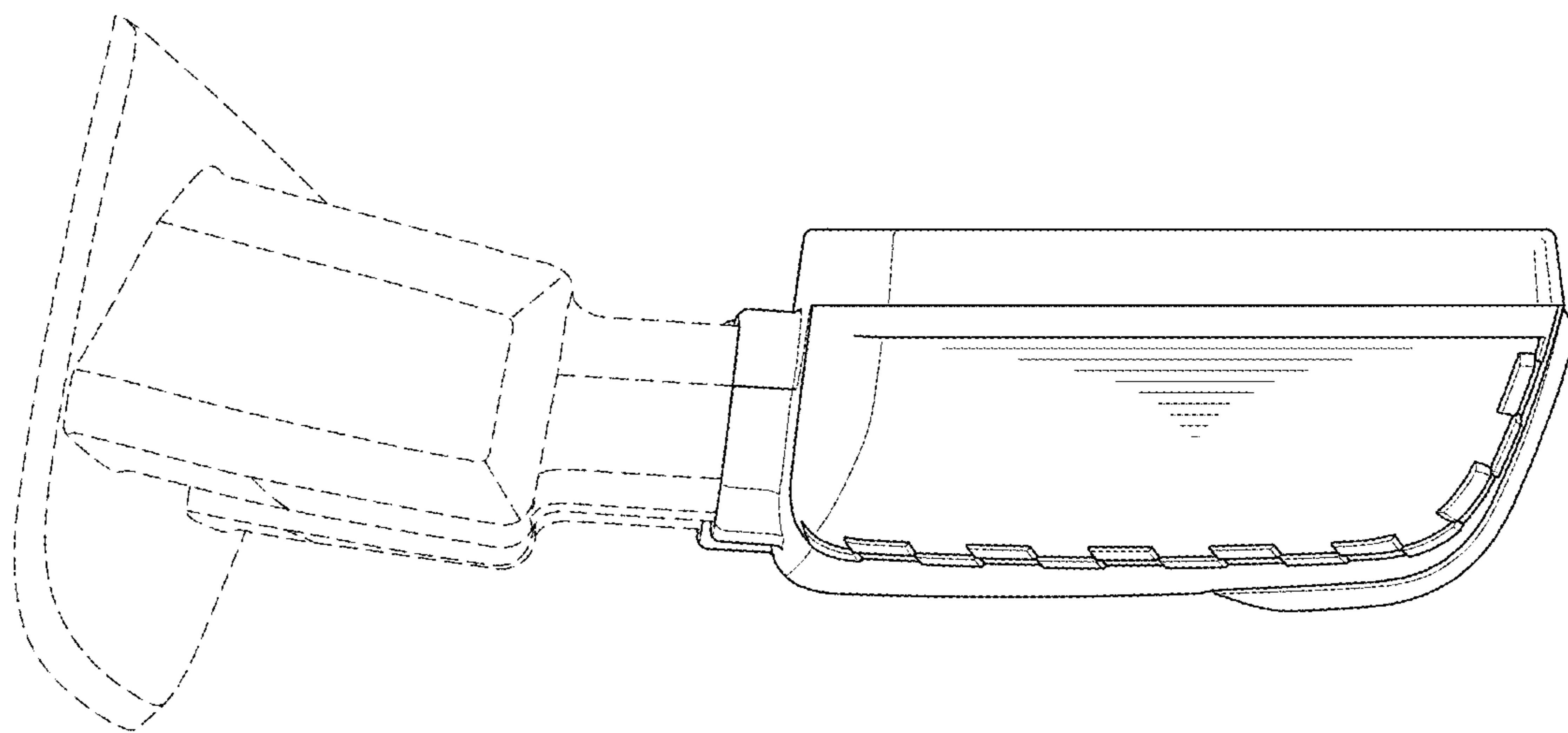


FIG. 6

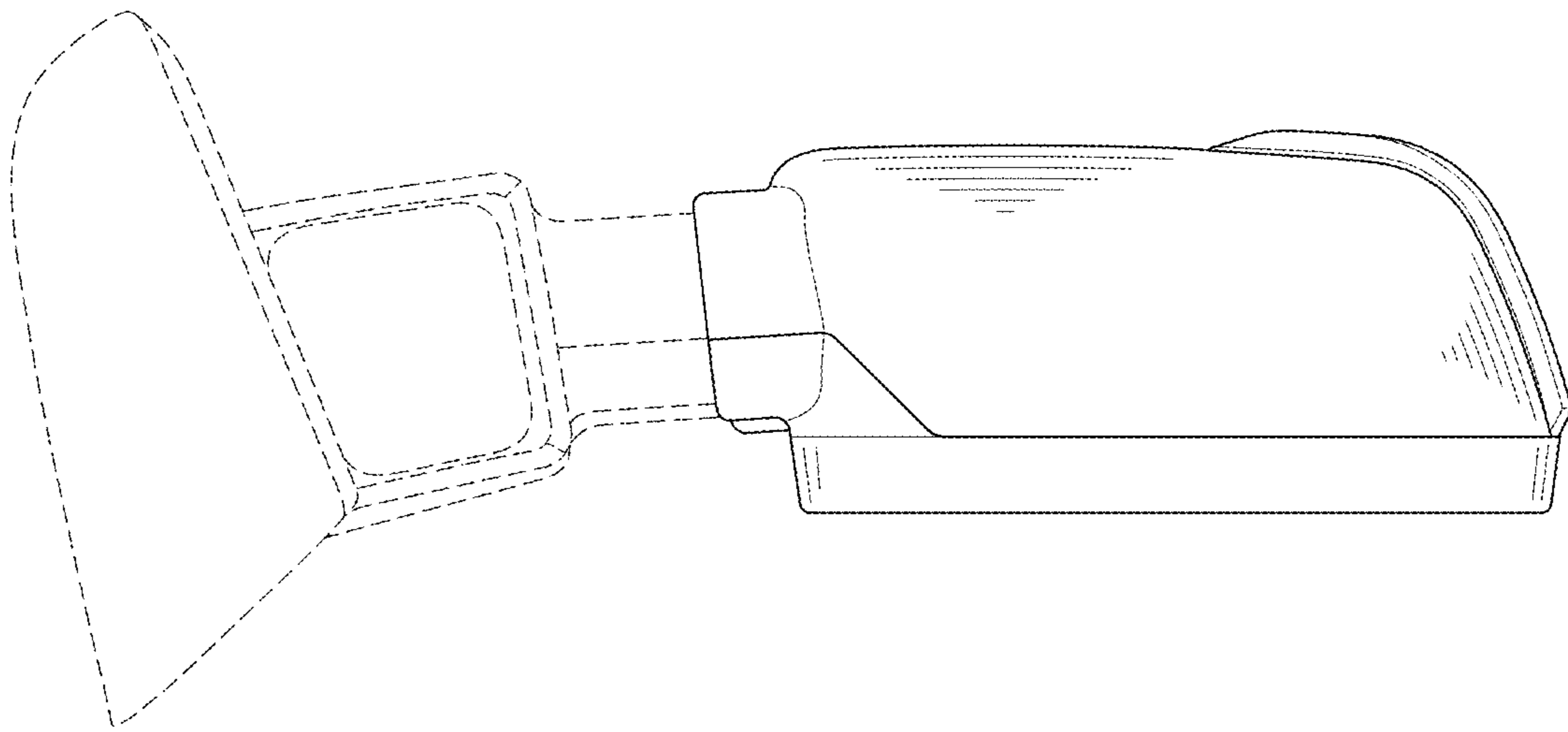


FIG. 7