



US00D870005S

(12) **United States Design Patent**
Yamashita

(10) **Patent No.:** **US D870,005 S**

(45) **Date of Patent:** **** Dec. 17, 2019**

(54) **SPOILER FOR MOTOR VEHICLE**

(71) Applicant: **Dr. Ing. h.c. F. Porsche**
Aktiengesellschaft, Stuttgart (DE)

(72) Inventor: **Shuichi Yamashita, Gerlingen (DE)**

(73) Assignee: **Dr. Ing. h.c. F. Porsche**
Aktiengesellschaft (DE)

(**) Term: **15 Years**

(21) Appl. No.: **29/646,151**

(22) Filed: **May 2, 2018**

(30) **Foreign Application Priority Data**

Nov. 10, 2017 (DE) 40 2017 101 218

(51) **LOC (12) Cl.** **12-16**

(52) **U.S. Cl.**
USPC **D12/181**

(58) **Field of Classification Search**
USPC D12/91, 96, 99, 400, 181, 182, 183, 184,
D12/185, 190, 191, 192, 195, 414-426,
D12/106, 345

CPC B62D 35/02; B62D 35/005; B62D 35/007;
B29C 65/06; B60J 1/20; B60R 7/04;
B60R 7/18

See application file for complete search history.

(56) **References Cited**

U.S. PATENT DOCUMENTS

D377,160 S * 1/1997 Murkett D12/181
D377,331 S * 1/1997 Murkett D12/181
D422,544 S * 4/2000 Carlson D12/181
D441,331 S * 5/2001 Hatter D12/181
D467,843 S * 12/2002 Hatter D12/181
D514,486 S * 2/2006 Preuninger D12/181
D516,478 S * 3/2006 Kulla D12/181
D519,892 S * 5/2006 Kulla D12/181
D531,945 S * 11/2006 Saracoglu D12/181

D547,707 S * 7/2007 Kulla D12/181
D559,750 S * 1/2008 Kulla D12/181
D597,457 S * 8/2009 Bhambra D12/181
D607,385 S * 1/2010 Krauss D12/181
D607,386 S * 1/2010 Kulla D12/181

(Continued)

FOREIGN PATENT DOCUMENTS

CN 105936305 * 9/2016

OTHER PUBLICATIONS

2019 Porsche 911 GT3 RS (Color Crayon)—Spoiler, Caricos.com, [online], [site visited Aug. 27, 2019]. <URL: https://www.caricos.com/cars/p/porsche/2019_porsche_911_gt3_rs/images/94.html> (Year: 2019).*

(Continued)

Primary Examiner — T Chase Nelson

Assistant Examiner — Jonathan J. Han

(74) *Attorney, Agent, or Firm* — RatnerPrestia

(57) **CLAIM**

The ornamental design for a spoiler for motor vehicle, as shown and described.

DESCRIPTION

FIG. 1 is a front side perspective view of a spoiler for motor vehicle;

FIG. 2 is a rear side perspective view thereof;

FIG. 3 is a front elevation view thereof;

FIG. 4 is a rear elevation view thereof;

FIG. 5 is a top plan view thereof;

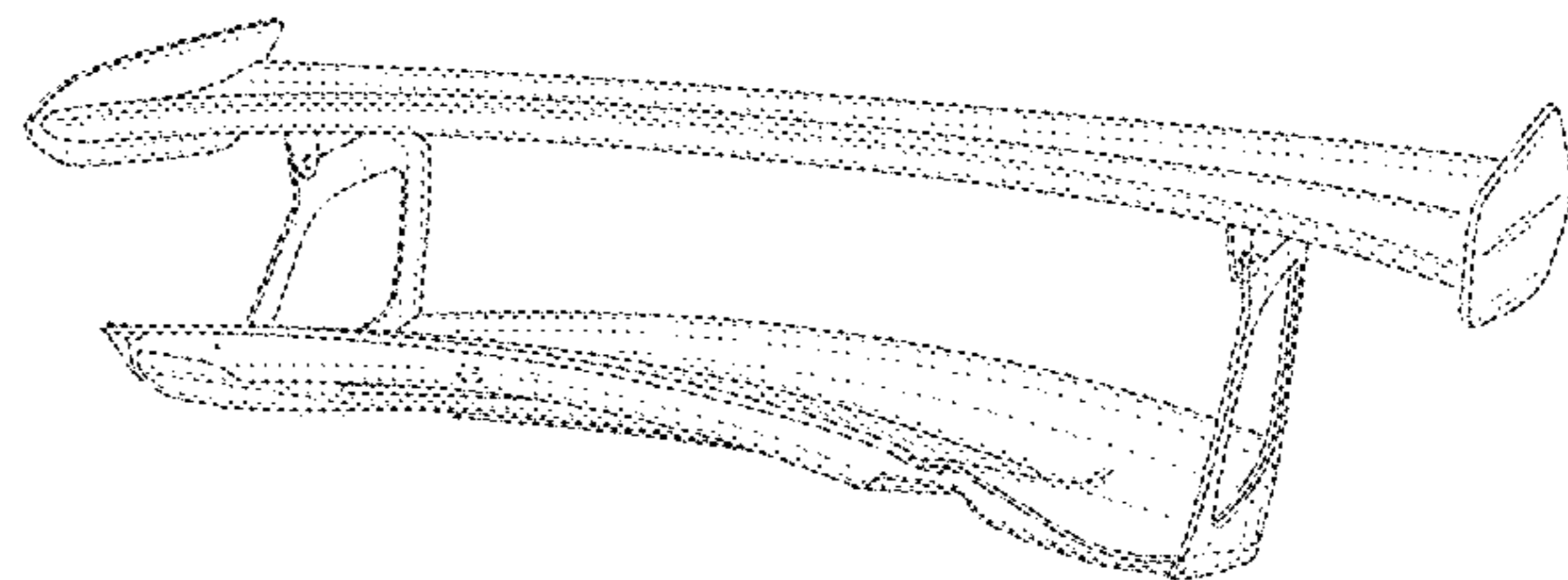
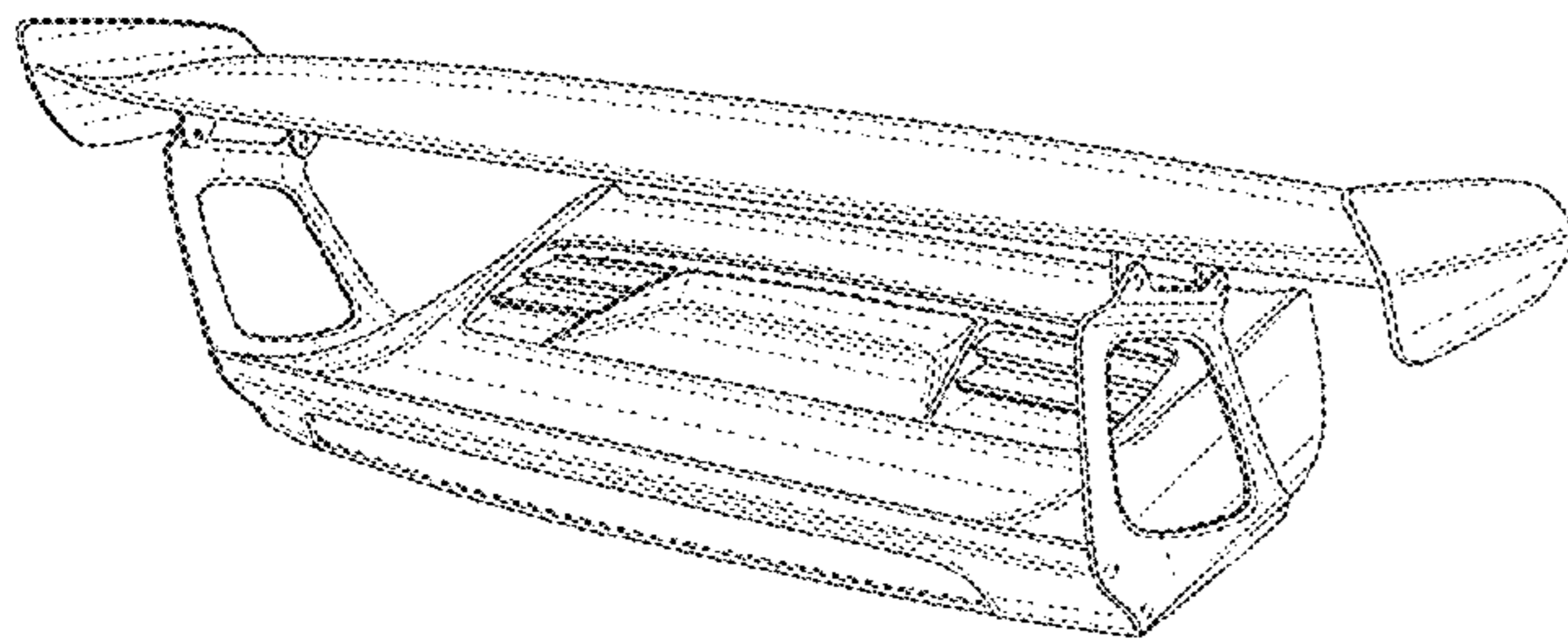
FIG. 6 is a bottom plan view thereof;

FIG. 7 is an elevation view thereof from the right side; and,

FIG. 8 is an elevation view thereof from the left side.

The broken line showing is for the purpose of illustrating portions of the spoiler for motor vehicle that form no part of the claimed design.

1 Claim, 7 Drawing Sheets



(56)

References Cited

U.S. PATENT DOCUMENTS

D620,854 S	*	8/2010	Akasawa	D12/181
D623,557 S	*	9/2010	Kulla	D12/92
D654,840 S	*	2/2012	Barnaba	D12/190
D659,615 S		5/2012	Varga	
D684,896 S	*	6/2013	Scheinhutte	D12/92
D716,205 S	*	10/2014	Callum	D12/181
D719,066 S	*	12/2014	Schramm	D12/92
D725,559 S	*	3/2015	Robinson	D12/181
D727,227 S	*	4/2015	Scheinhutte	D12/181
D727,809 S	*	4/2015	Scheinhutte	D12/181
D731,935 S		6/2015	Robinson	
D754,578 S	*	4/2016	Buck	D12/181
D763,751 S		8/2016	Varga	
D784,877 S	*	4/2017	Lee	D12/181
D811,300 S	*	2/2018	Yamashita	D12/181
D823,727 S	*	7/2018	Hauser	D12/92
D824,288 S	*	7/2018	Hauser	D12/92
D833,931 S	*	11/2018	Lu	D12/181
D845,198 S	*	4/2019	Beaven	D12/181

OTHER PUBLICATIONS

Rear Wings and Spoilers: A Porsche 911 History, Total911.com, Josh Barnett, Oct. 21, 2018, [online], [site visited Aug. 27, 2019].

<URL: <https://www.total911.com/rear-wings-and-spoilers-a-porsche-911-history/>> (Year: 2018).*

Vorsteiner V-RT Rear Wing, ScuderiaCarParts.com, [online], [site visited Aug. 27, 2019]. <URL: https://www.scuderiaparts.com/aftermarket/porsche/911-991/v-rt-rear-wing_13005> (Year: 2019).*

Gemballa GT Rear Wing V1 Carbon Porsche 991 Turbo I Turbo S 14-19, VividRacing.com, [online], [site visited Aug. 27, 2019]. <URL: <https://www.vividracing.com/gemballa-rear-wing-carbon-porsche-991-turbo-turbo-1419-p-151904368.html>> (Year: 2019).*

Design U.S. Appl. No. 29/579,465, by Scheinhütte, filed Sep. 6, 2016.

Design U.S. Appl. No. 29/590,061, by Scheinhütte, filed Jan. 6, 2017.

Design U.S. Appl. No. 29/591,933, by Varga, filed Jan. 25, 2017.

Design U.S. Appl. No. 29/613,579, by Scheinhütte et al., filed Aug. 11, 2017.

Design U.S. Appl. No. 29/621,739, by Scheinhütte, filed Oct. 11, 2017.

Design U.S. Appl. No. 29/621,335, by Borki, filed Oct. 6, 2017.

Design U.S. Appl. No. 29/645,452, by Schmölz, filed Apr. 26, 2018; and.

Design U.S. Appl. No. 29/645,864, by Schmölz, filed Apr. 30, 2018.

* cited by examiner

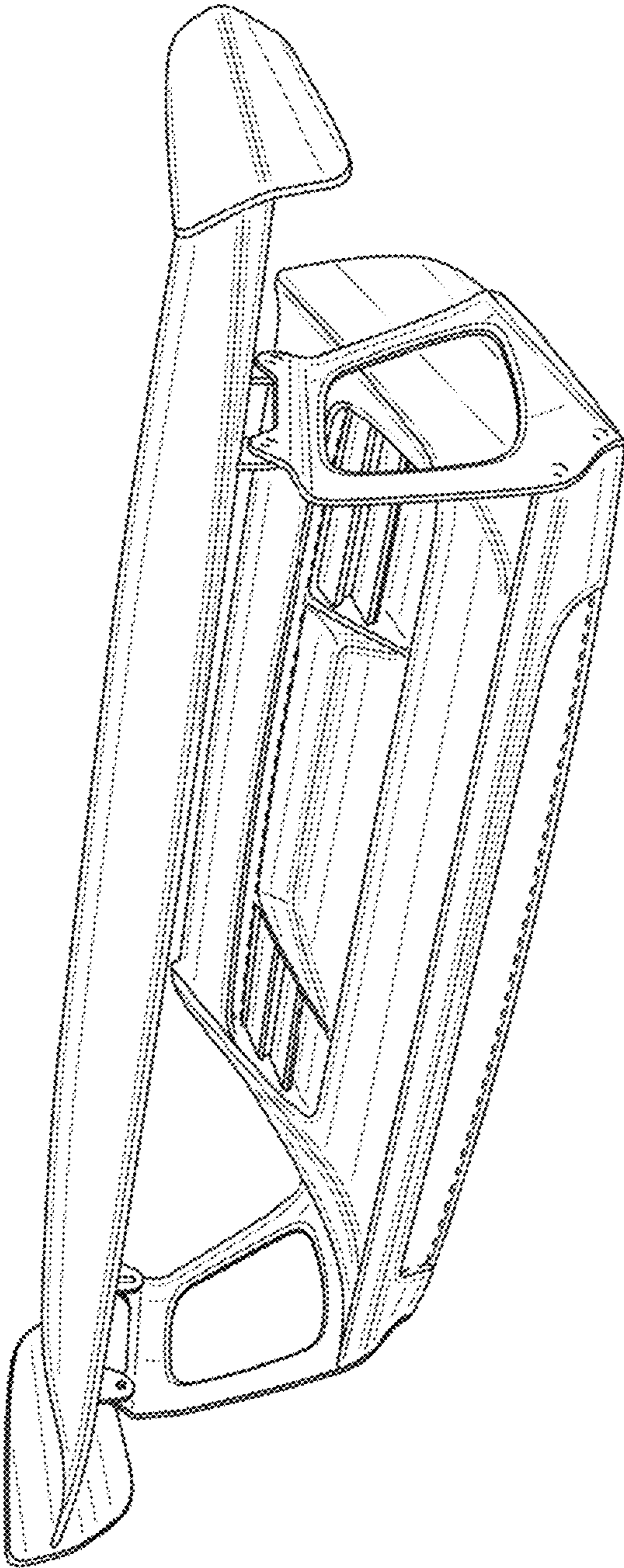


FIG. 1

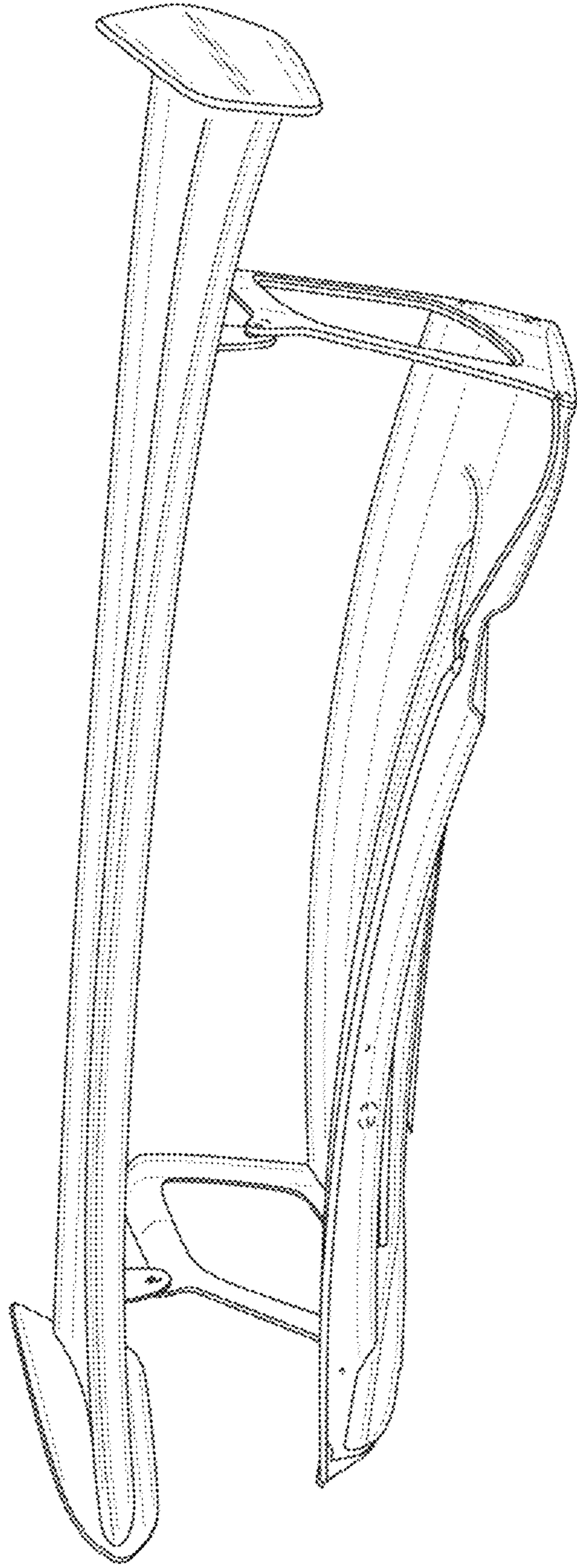


FIG. 2

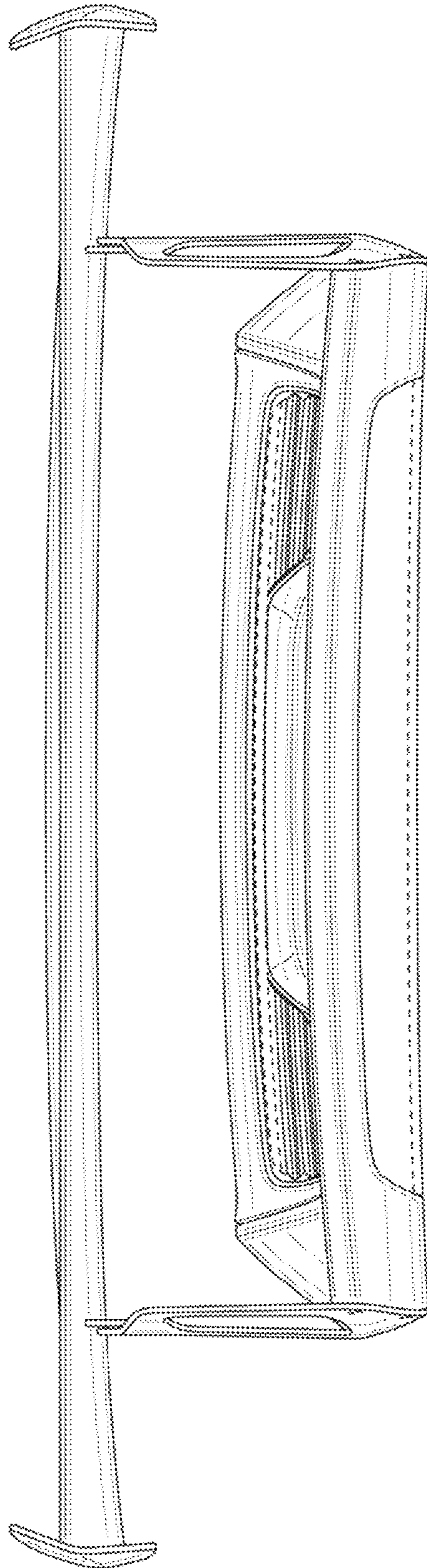


FIG. 3

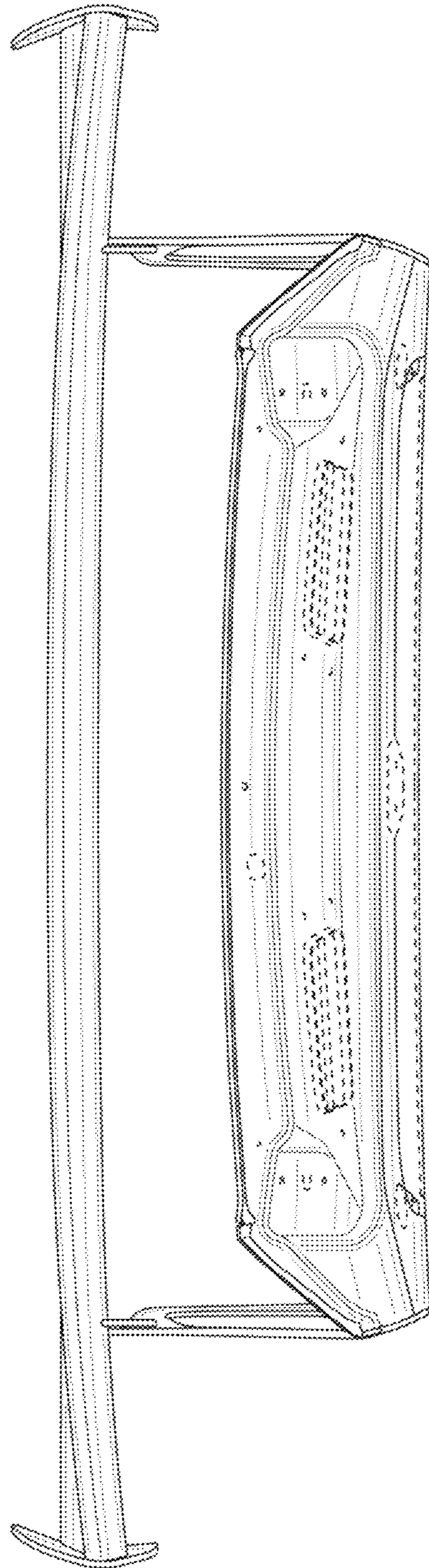


FIG. 4

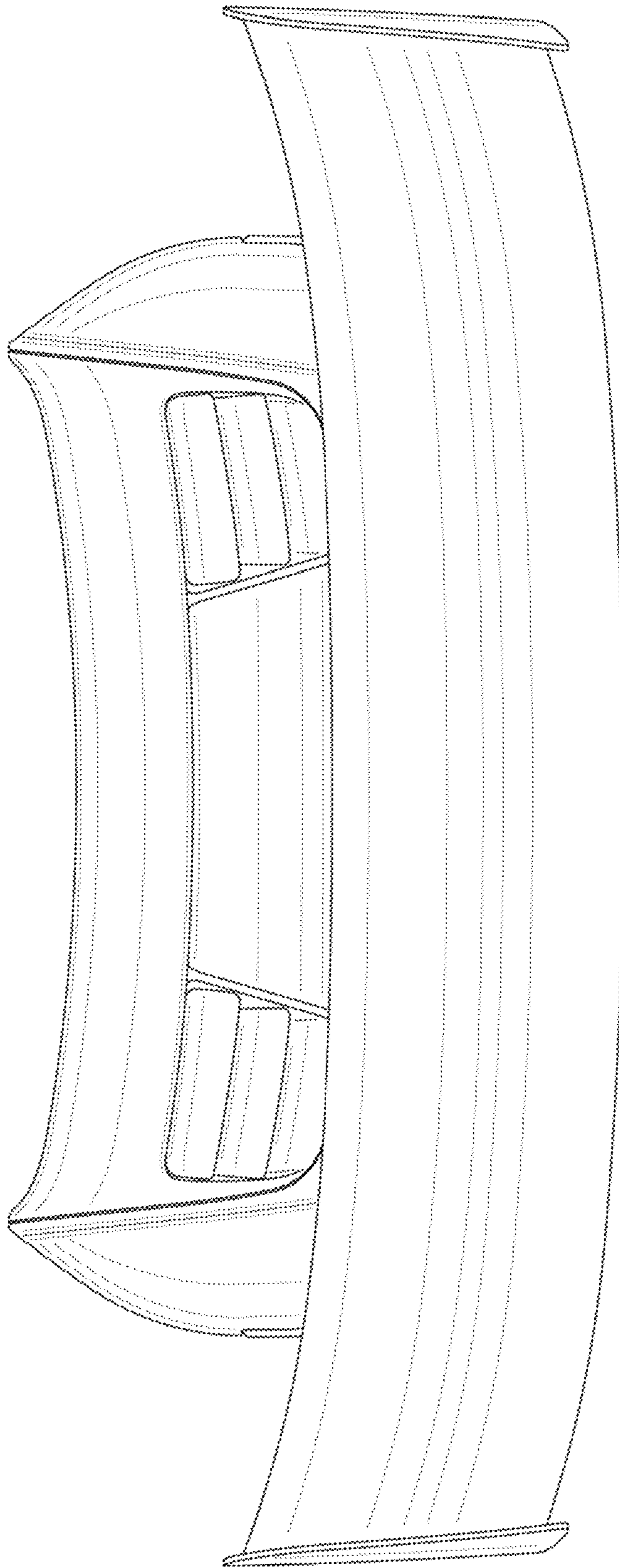


FIG. 5

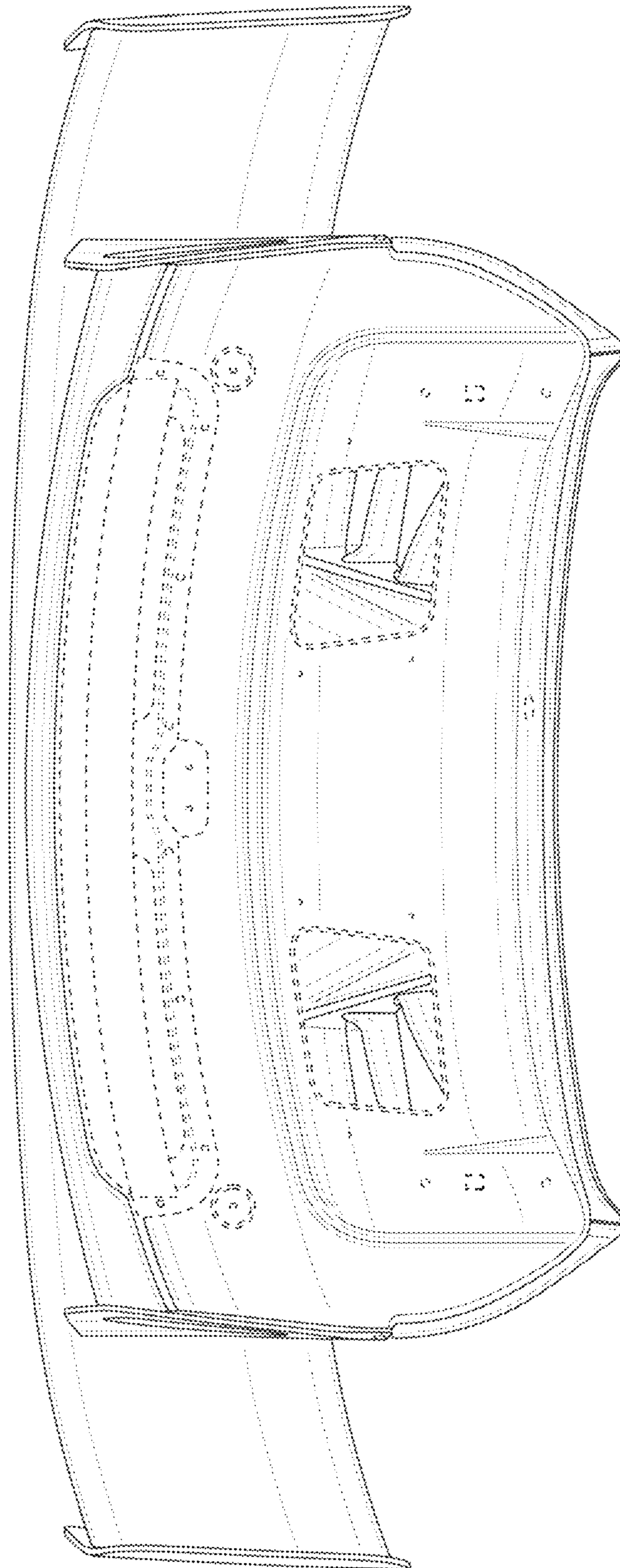


FIG. 6

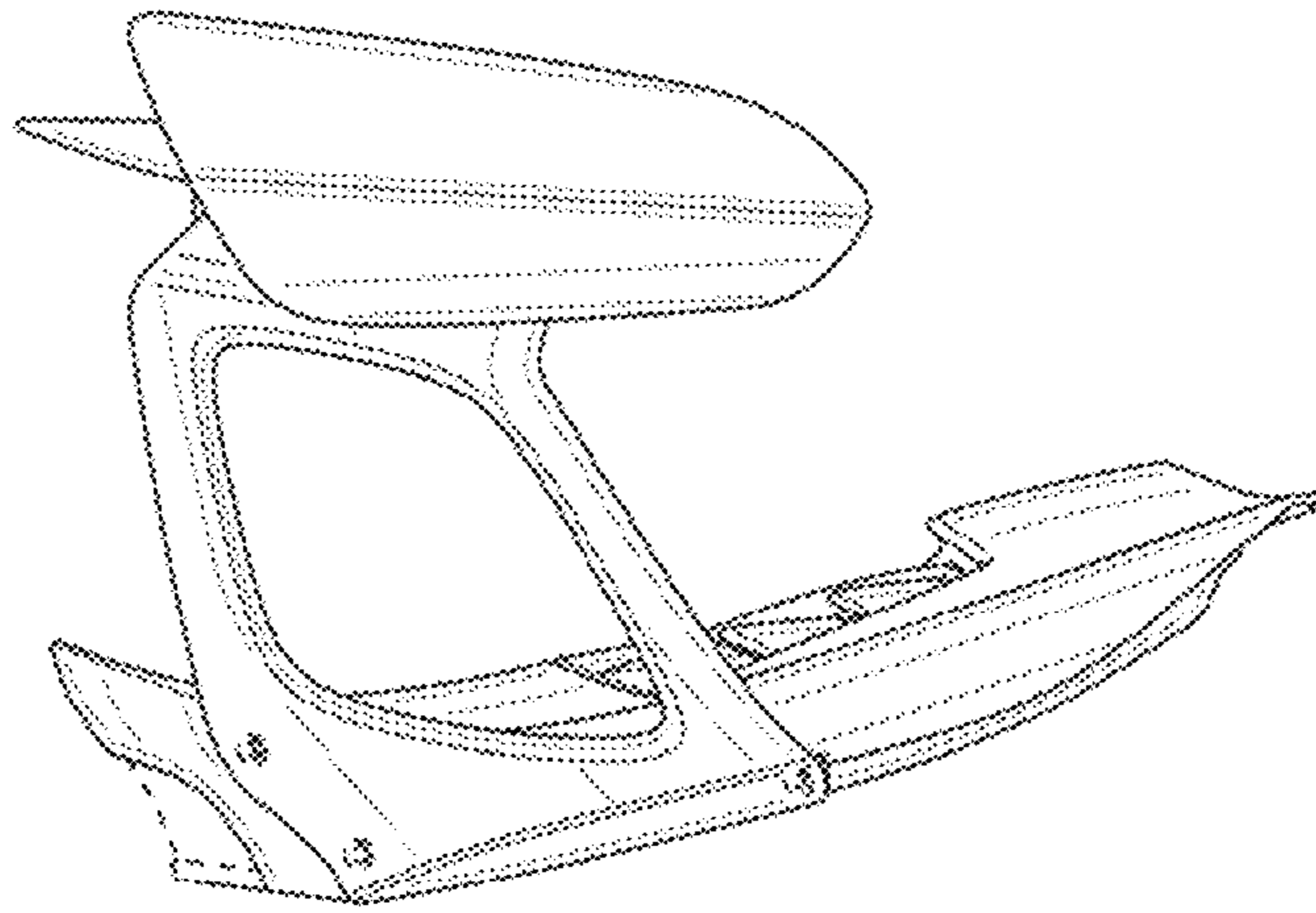


FIG. 7

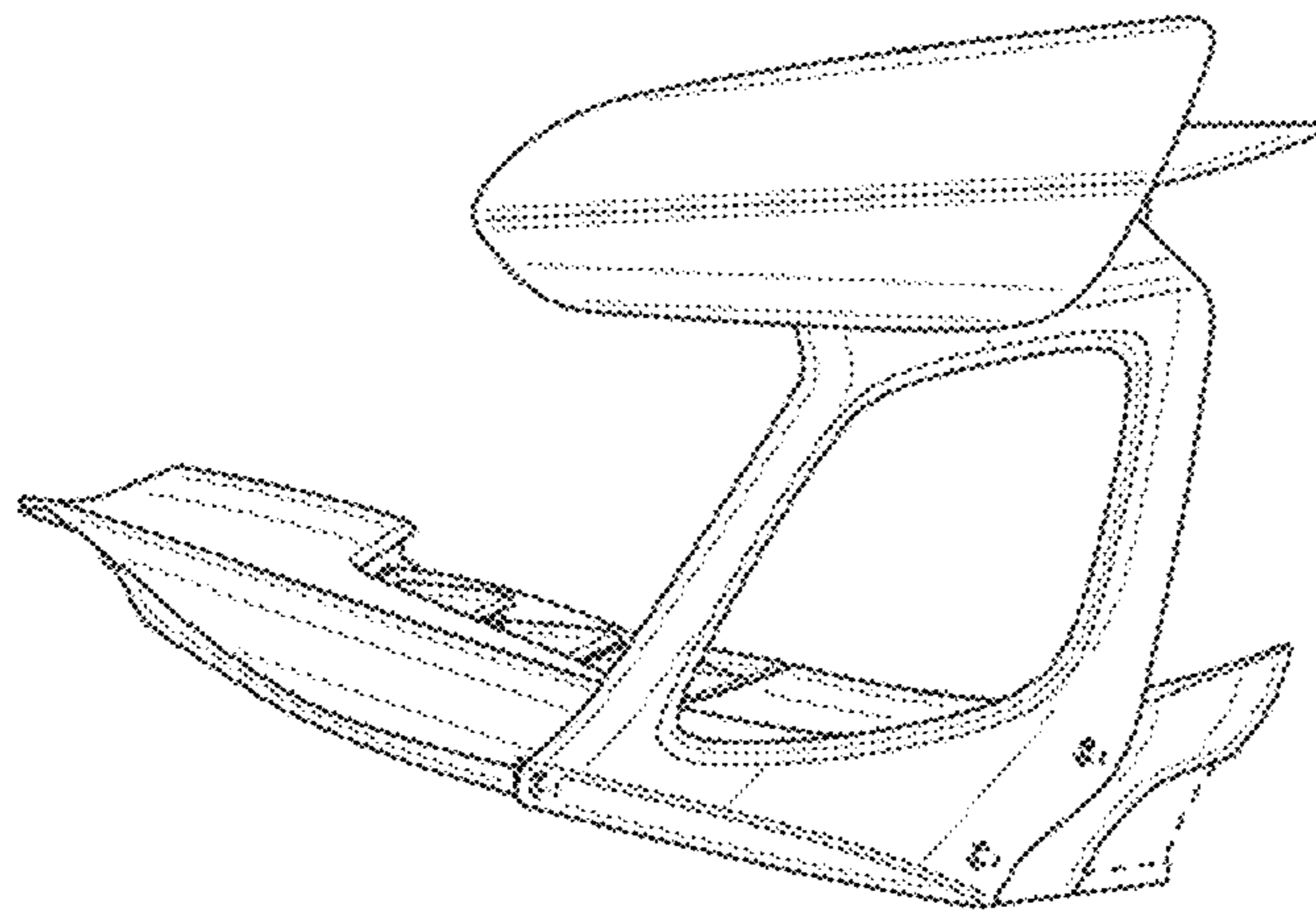


FIG. 8