



US00D87000S

(12) **United States Design Patent** (10) **Patent No.:** **US D870,000 S**
Joudo (45) **Date of Patent:** **** Dec. 17, 2019**

(54) **RADIATOR GRILLE**
(71) Applicant: **Autech Japan, Inc.**, Kanagawa (JP)
(72) Inventor: **Kinya Joudo**, Kanagawa (JP)
(73) Assignee: **AUTECH JAPAN, INC.**, Kanagawa (JP)
(**) Term: **15 Years**
(21) Appl. No.: **29/659,937**
(22) Filed: **Aug. 14, 2018**
(51) **LOC (12) Cl.** **12-16**
(52) **U.S. Cl.**
USPC **D12/163**
(58) **Field of Classification Search**
USPC D12/169, 196, 86, 90-92, 163, 190, 98,
D12/164; 293/102, 113, 115, 117, 120,
293/193.11; 296/180.1, 180.2; 180/68.1,
180/68.6
CPC B60R 19/52; B60K 11/08; B62D 25/08;
B62B 9/16
See application file for complete search history.

D783,465 S * 4/2017 Choi D12/163
D789,844 S * 6/2017 Sakai D12/163
D809,979 S * 2/2018 Tanaka D12/163
D818,885 S * 5/2018 Seo D12/163
D818,887 S * 5/2018 Choi D12/163
D818,888 S * 5/2018 Koizumi D12/163
D818,891 S * 5/2018 Minamiyama D12/163
D819,508 S * 6/2018 Ino D12/163
D819,509 S * 6/2018 Tanaka D12/163
D830,249 S * 10/2018 Zhang D12/169
D830,251 S * 10/2018 Komuro D12/169
D854,972 S * 7/2019 Suzuki D12/163

* cited by examiner

Primary Examiner — Melody N Brown
(74) *Attorney, Agent, or Firm* — Wenderoth, Lind & Ponack, L.L.P.

(57) **CLAIM**

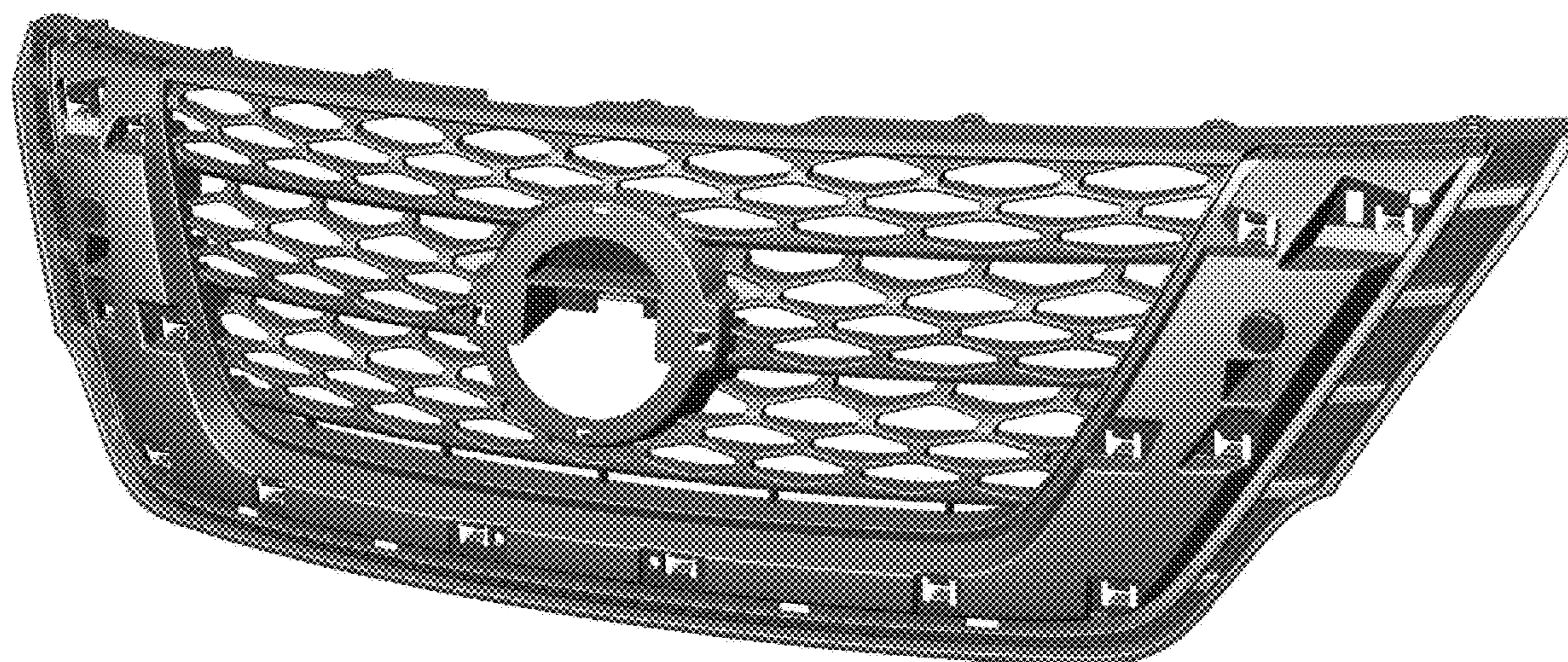
The ornamental design for a radiator grille, as shown.

DESCRIPTION

FIG. 1 is a front view of a radiator grille showing my new design;
FIG. 2 is a rear view thereof;
FIG. 3 is a left side view thereof;
FIG. 4 is a right side view thereof;
FIG. 5 is a top plan view thereof;
FIG. 6 is a bottom plan view thereof; and,
FIG. 7 is a perspective view thereof.

1 Claim, 2 Drawing Sheets

(56) **References Cited**
U.S. PATENT DOCUMENTS
D734,693 S * 7/2015 Koizumi D12/163
D774,999 S * 12/2016 Liu D12/163



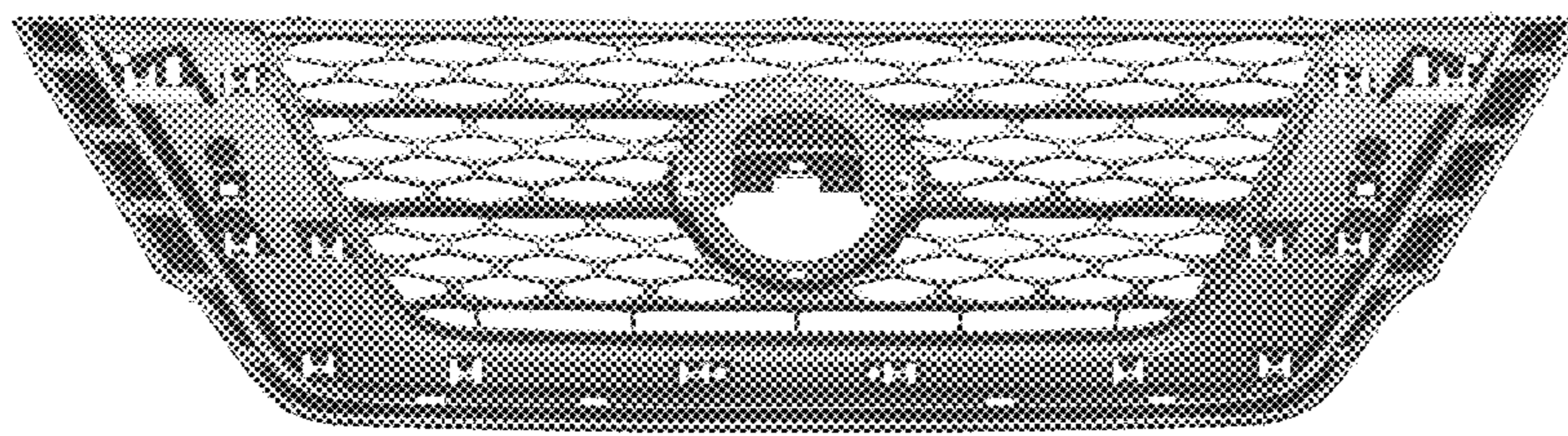


FIG.1

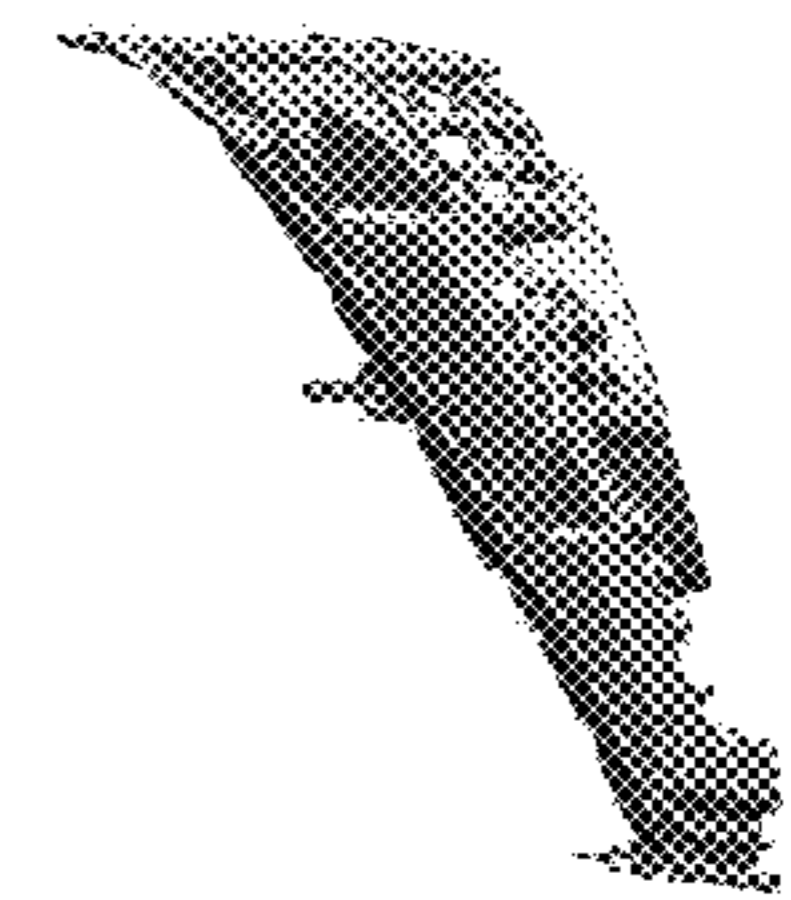


FIG.3

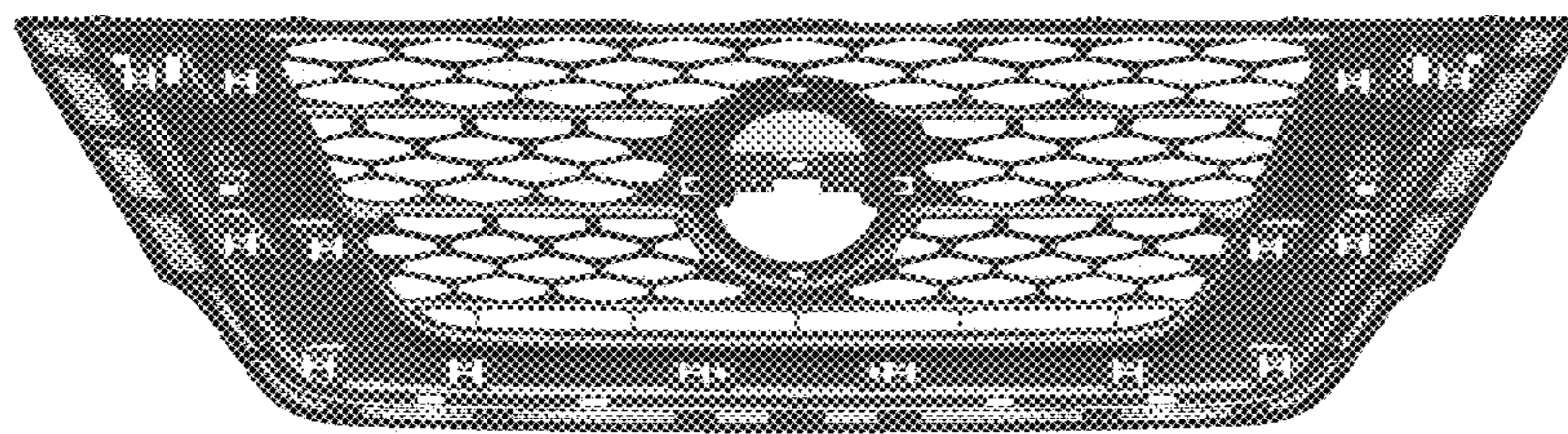


FIG.2

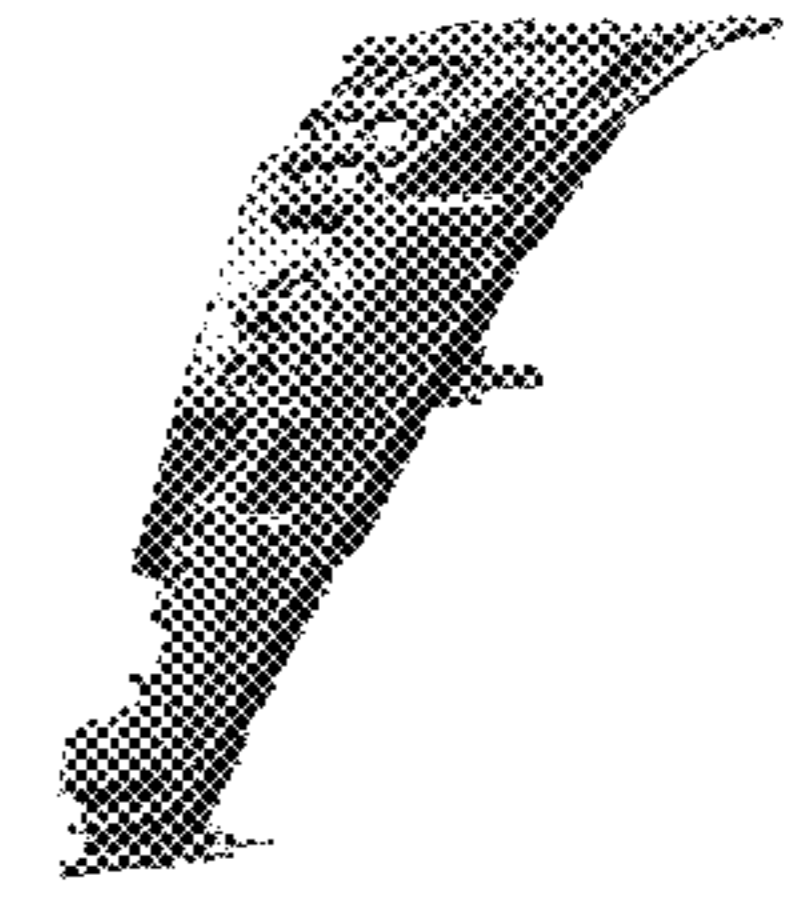


FIG.4

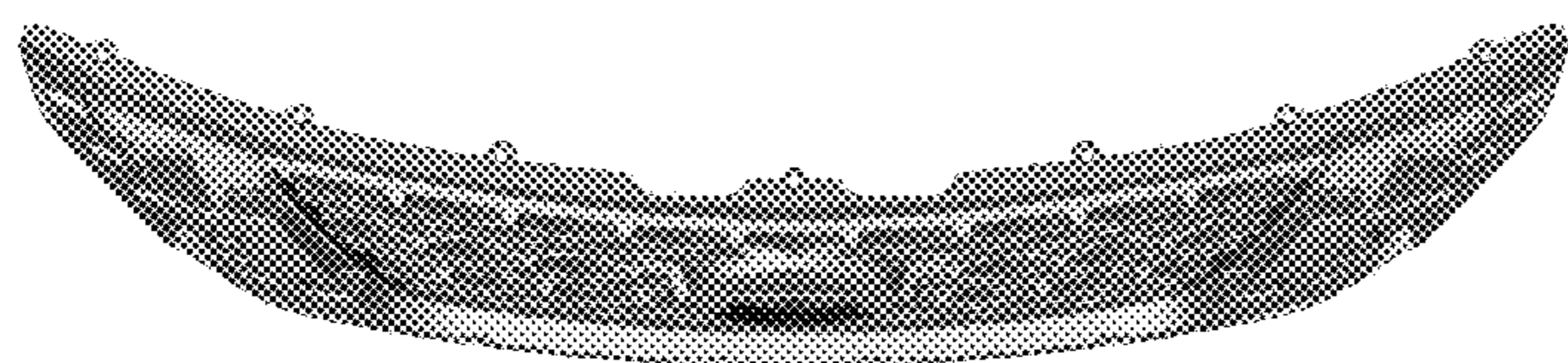


FIG. 5

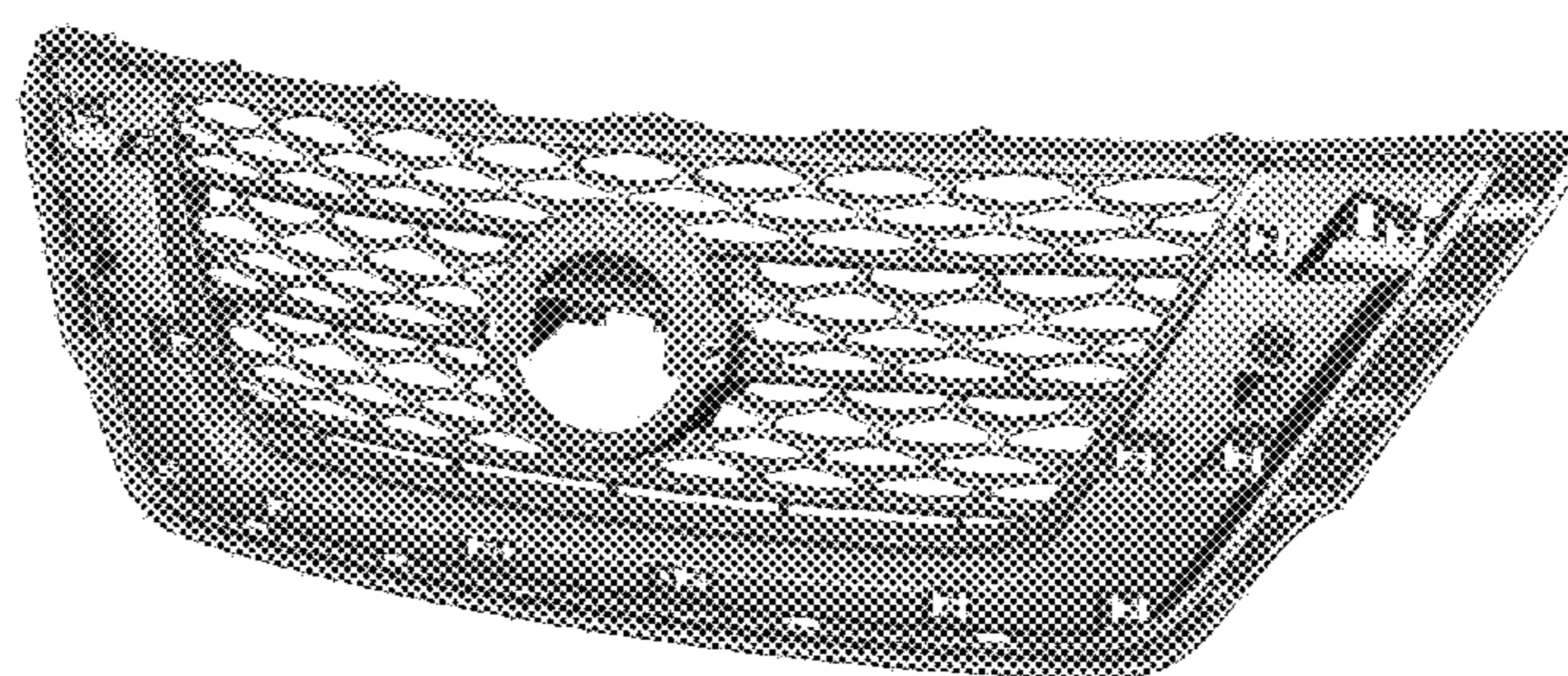


FIG. 7

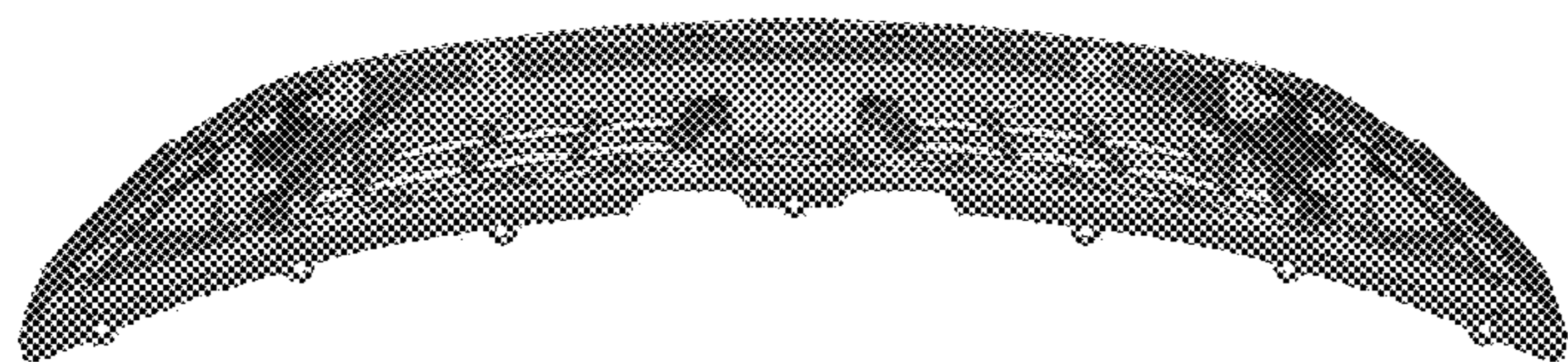


FIG. 6