



US00D86997S

(12) **United States Design Patent**
Borkholder

(10) **Patent No.:** **US D869,997 S**

(45) **Date of Patent:** **** Dec. 17, 2019**

(54) **AG TORSION RECEIVER HITCH**
(71) Applicant: **Carl J. Borkholder**, Bremen, IN (US)
(72) Inventor: **Carl J. Borkholder**, Bremen, IN (US)
(**) Term: **15 Years**

(21) Appl. No.: **29/629,020**
(22) Filed: **Dec. 11, 2017**
(51) **LOC (12) Cl.** **12-16**
(52) **U.S. Cl.**
USPC **D12/162**
(58) **Field of Classification Search**
USPC D12/162, 159, 158, 161
CPC . B60D 1/60; B60D 1/065; B60D 1/00; B60D
1/06
See application file for complete search history.

(56) **References Cited**
U.S. PATENT DOCUMENTS
D687,747 S * 8/2013 Terpsma D12/162
D690,241 S * 9/2013 Gustafson D12/162
D714,193 S * 9/2014 Terpsma D12/162
D772,765 S * 11/2016 Sylvester D12/162
D773,345 S * 12/2016 Borkholder D12/162
D777,064 S * 1/2017 Rabska D12/162
D790,408 S * 6/2017 Wymore D12/162

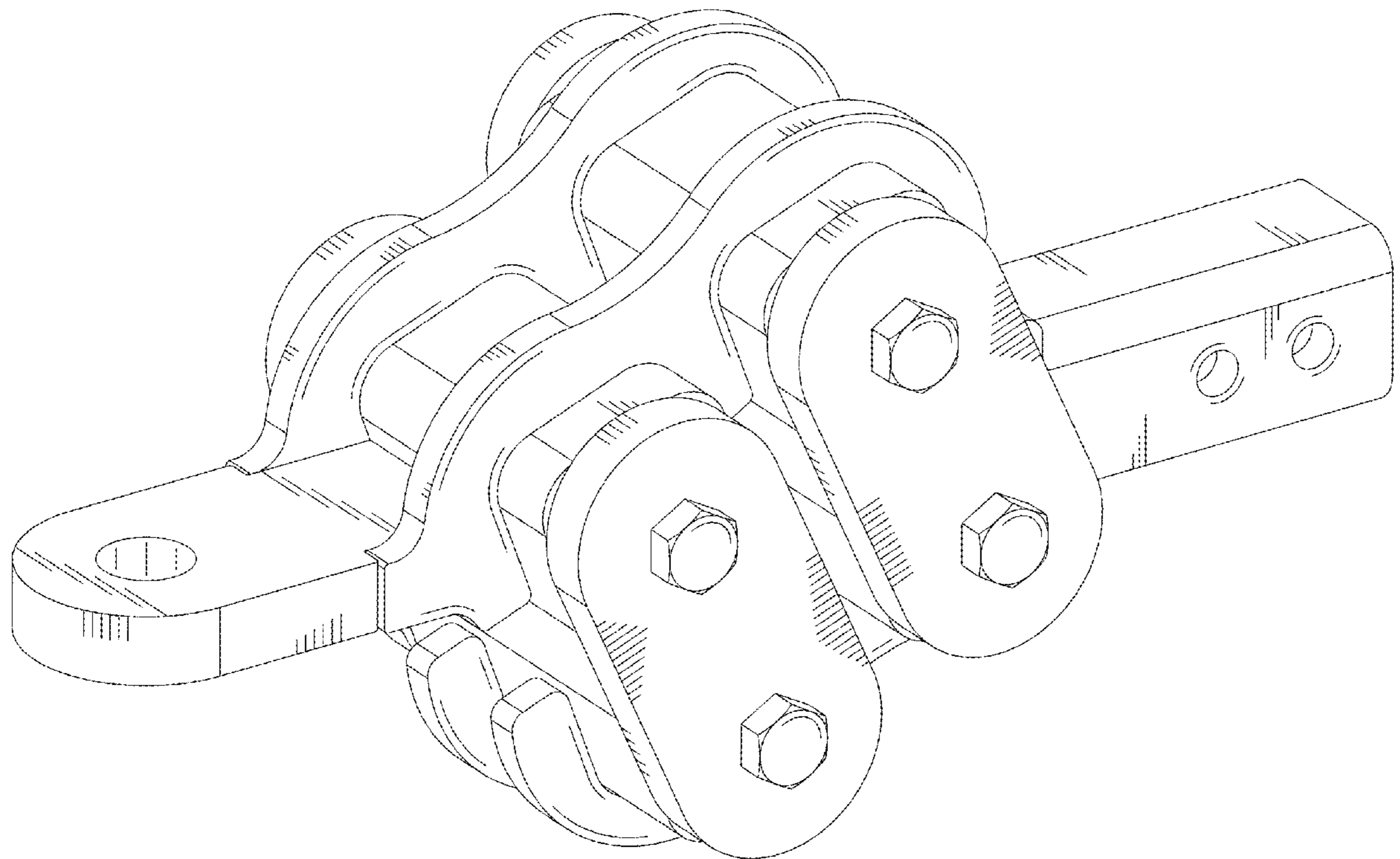
D800,610 S * 10/2017 Melvin B60D 1/58
D12/162
D803,108 S * 11/2017 Liu D12/162
D823,736 S * 7/2018 Montes D12/162
D840,282 S * 2/2019 Coste D12/162
D851,545 S * 6/2019 McCuskey D12/162

* cited by examiner
Primary Examiner — Katrina A Betton
(74) *Attorney, Agent, or Firm* — Botkin & Hall, LLP

(57) **CLAIM**
The ornamental design for an AG torsion receiver hitch, as shown and described.

DESCRIPTION
FIG. 1 is a top isometric view of the AG torsion receiver hitch;
FIG. 2 is a bottom isometric view of the AG torsion receiver hitch;
FIG. 3 is a right side view of the AG torsion receiver hitch;
FIG. 4 is a left side view of the AG torsion receiver hitch;
FIG. 5 is a top view of the AG torsion receiver hitch
FIG. 6 is a bottom view of the AG torsion receiver hitch;
FIG. 7 is a rear view of the AG torsion receiver hitch; and,
FIG. 8 is a front view of the AG torsion receiver hitch.
The broken lines depict portions of the AG torsion receiver hitch that form no part of the claimed design, and are for illustrative purposes only.

1 Claim, 7 Drawing Sheets



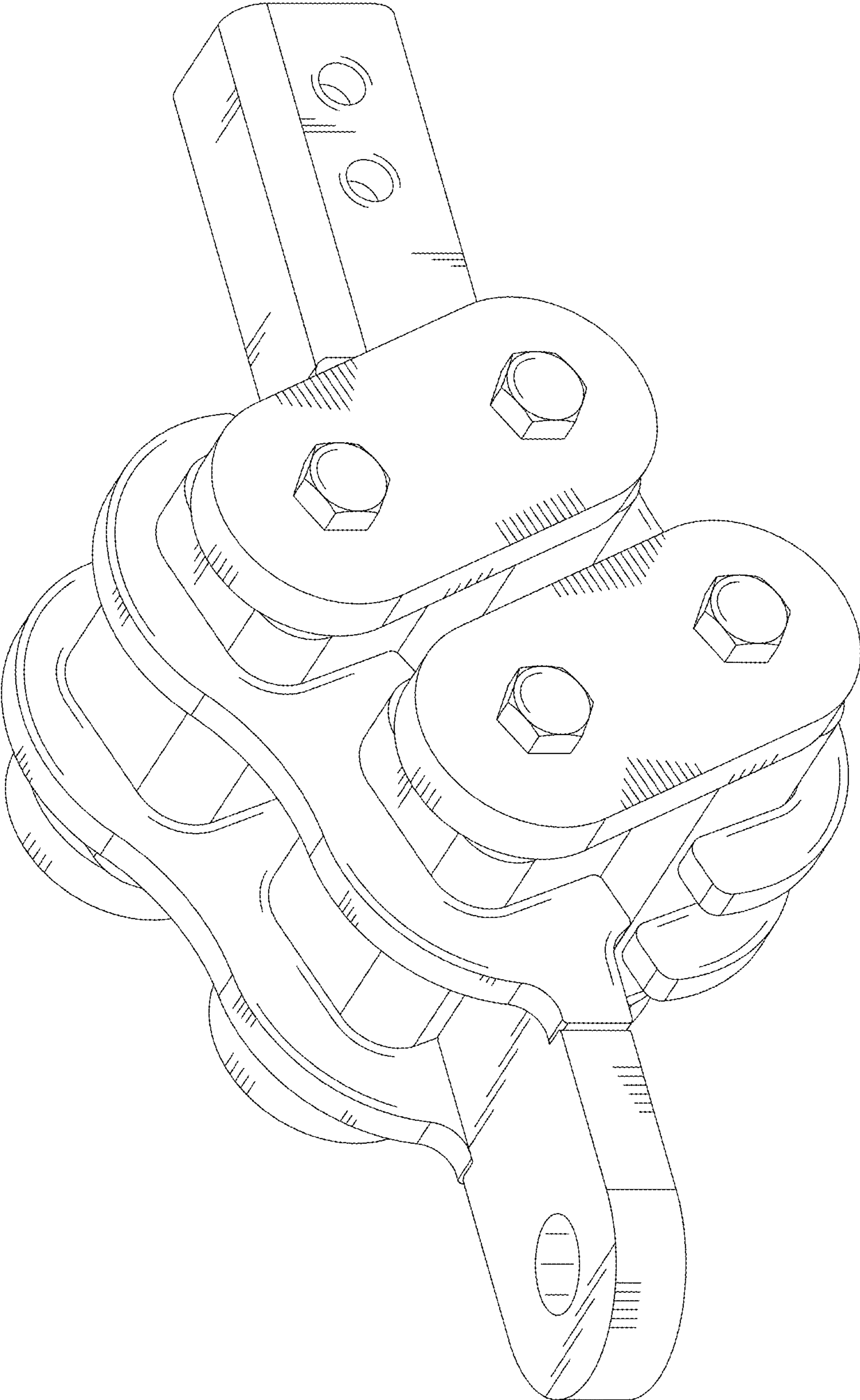


Fig. 1

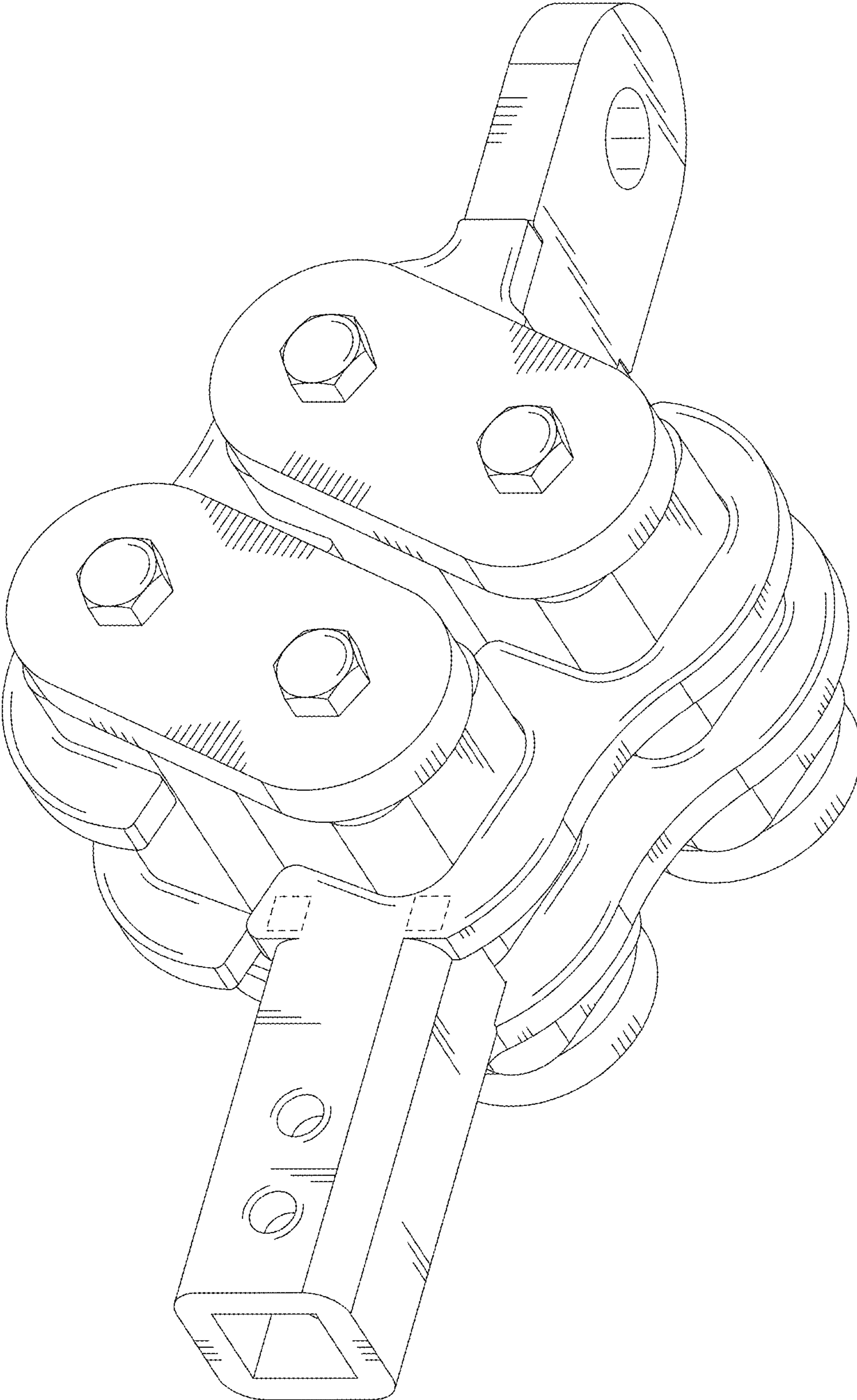


Fig. 2

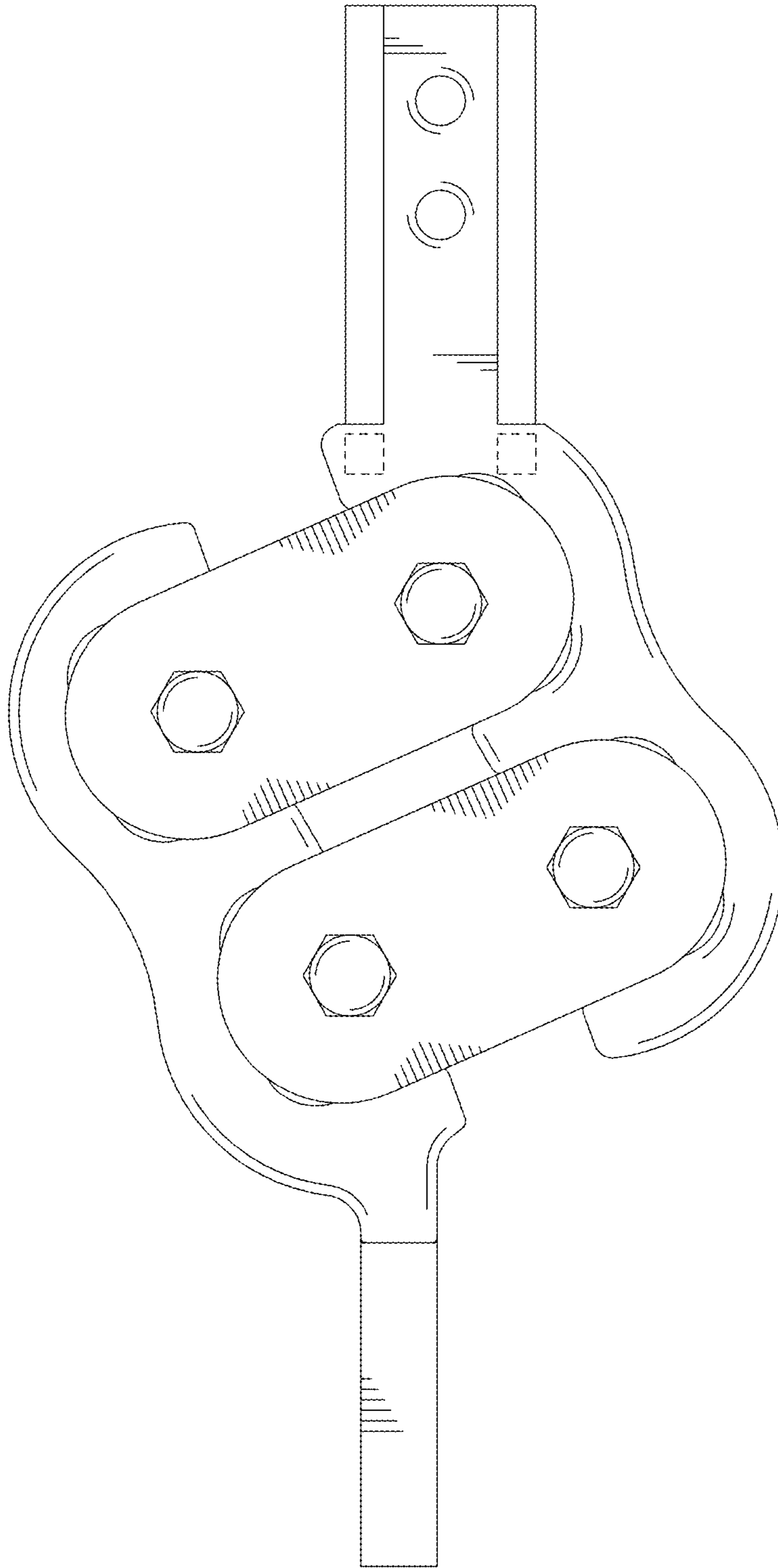


Fig. 3

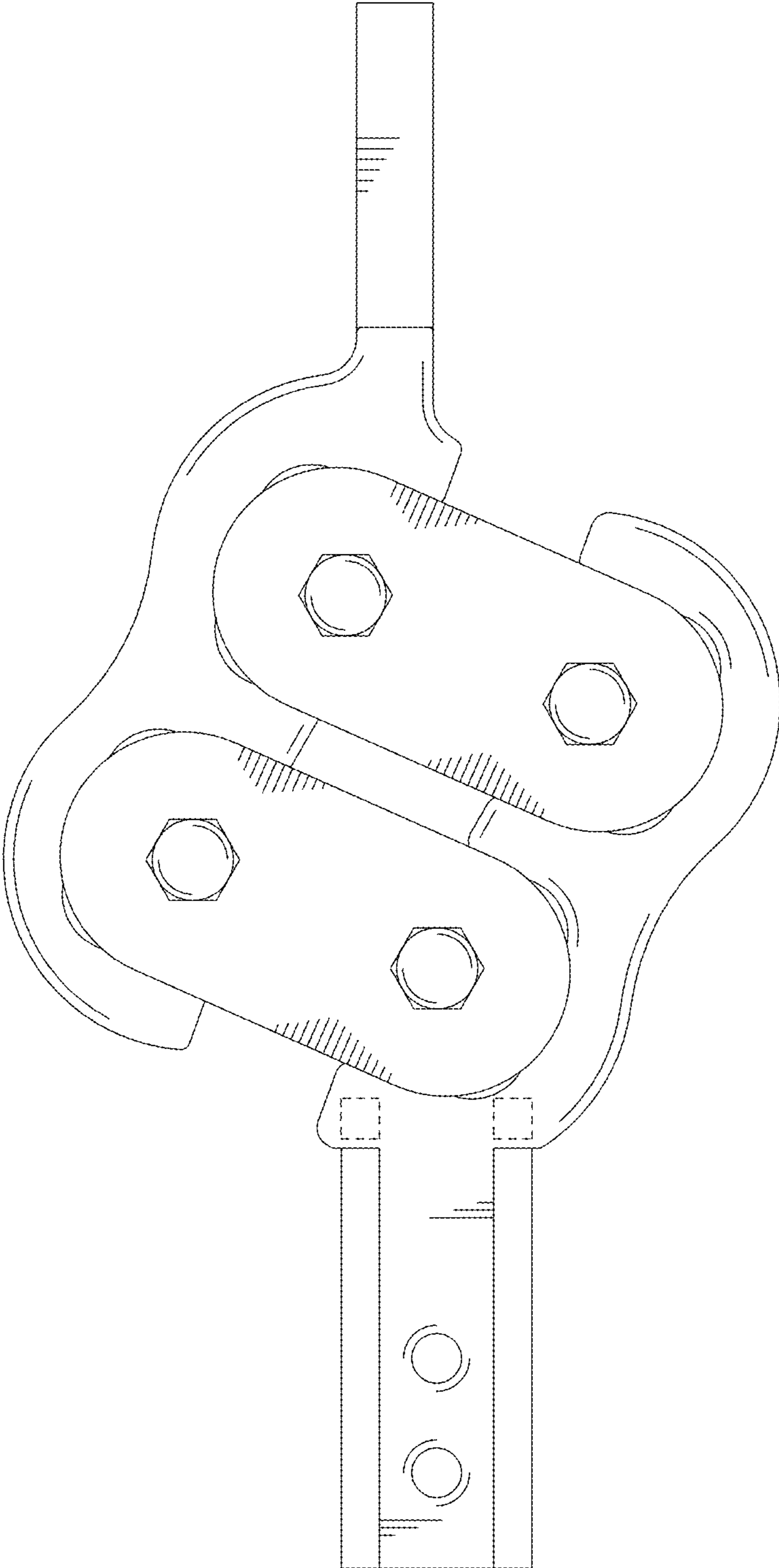


Fig. 4

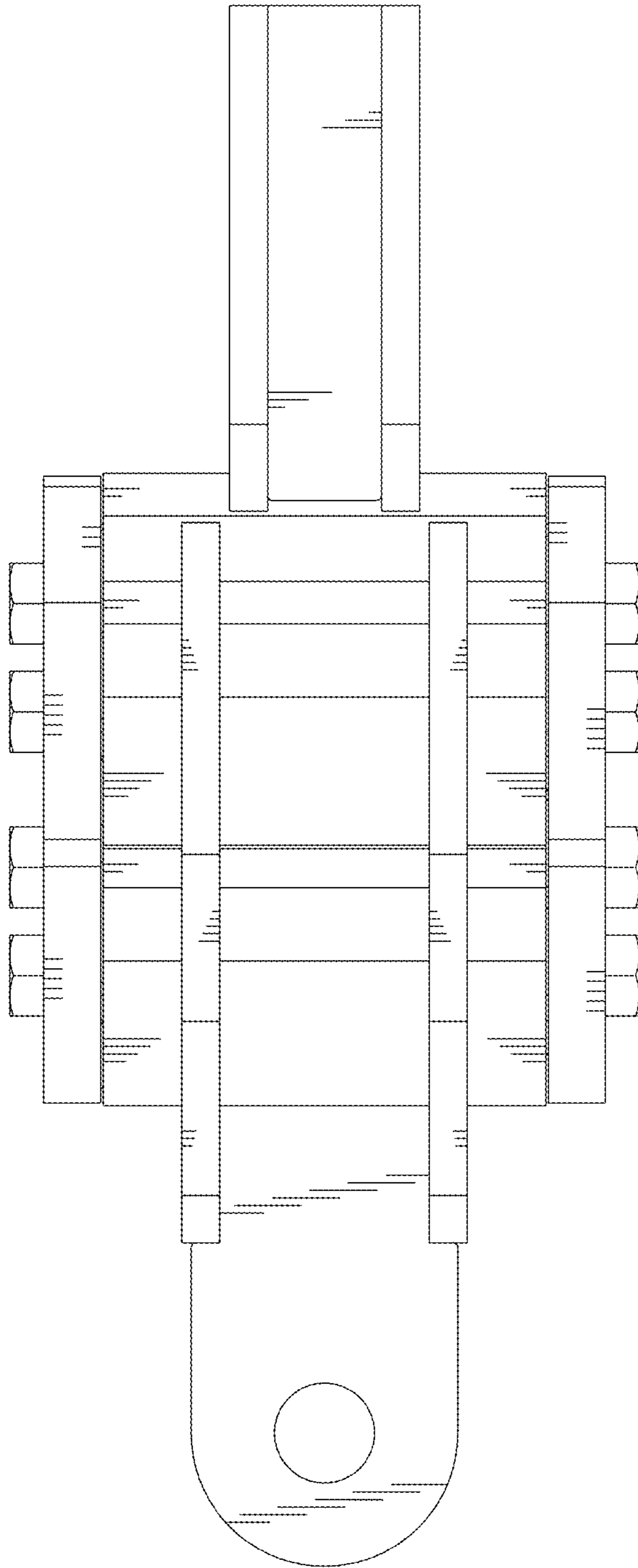


Fig. 5

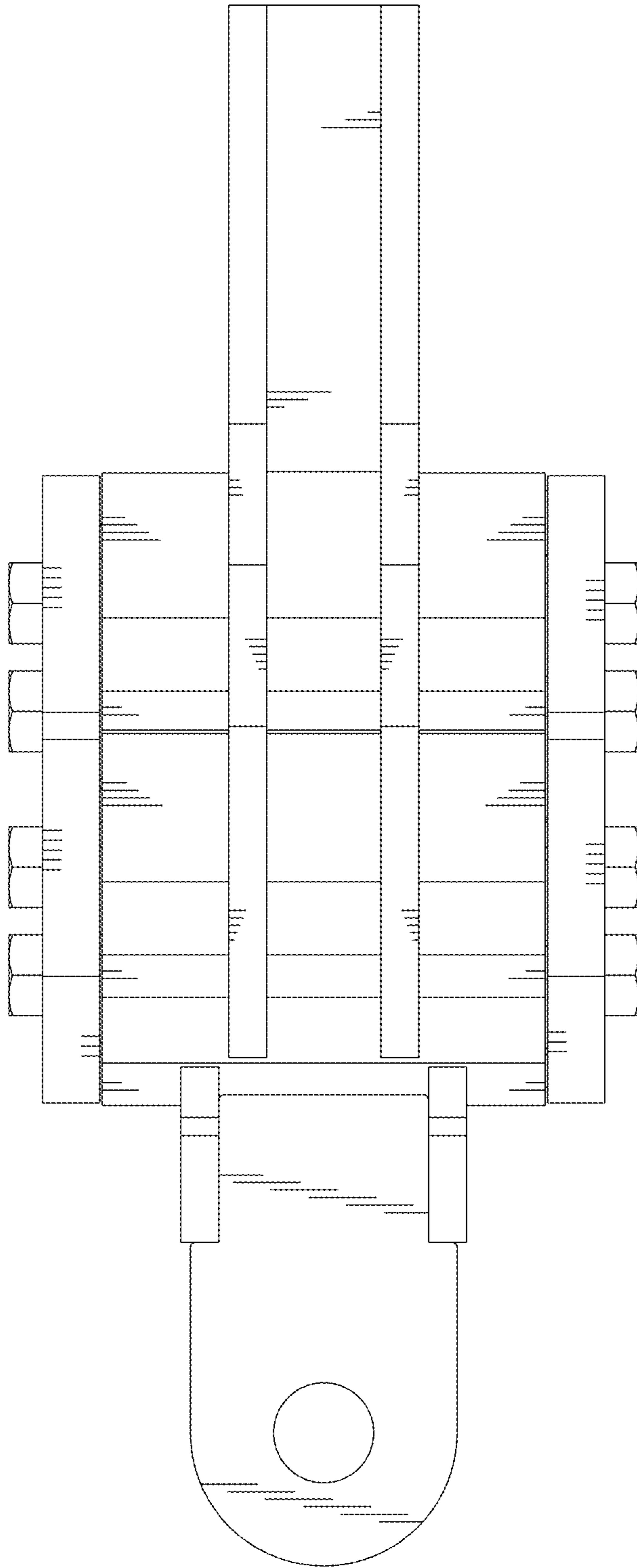


Fig. 6

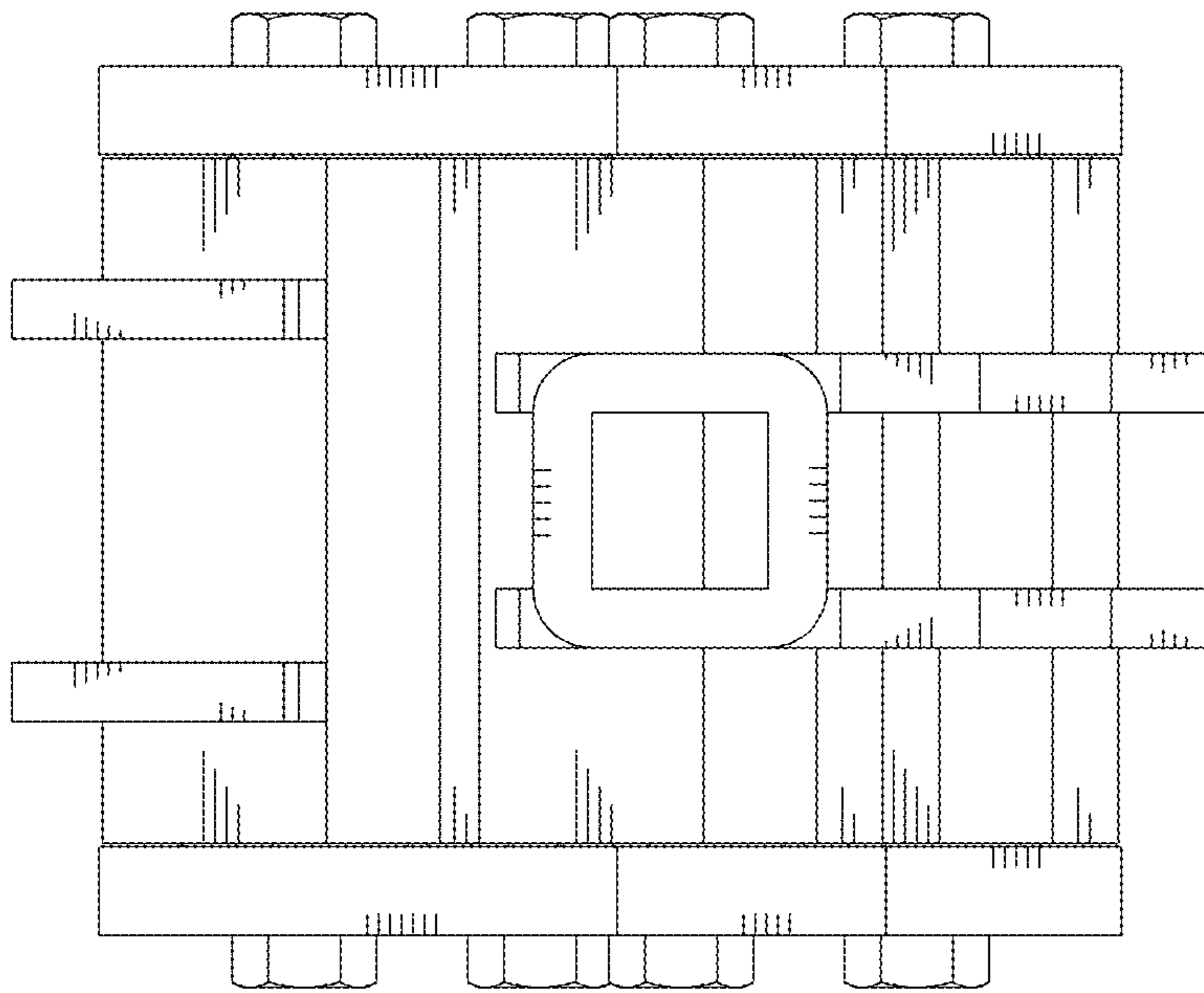


Fig. 8

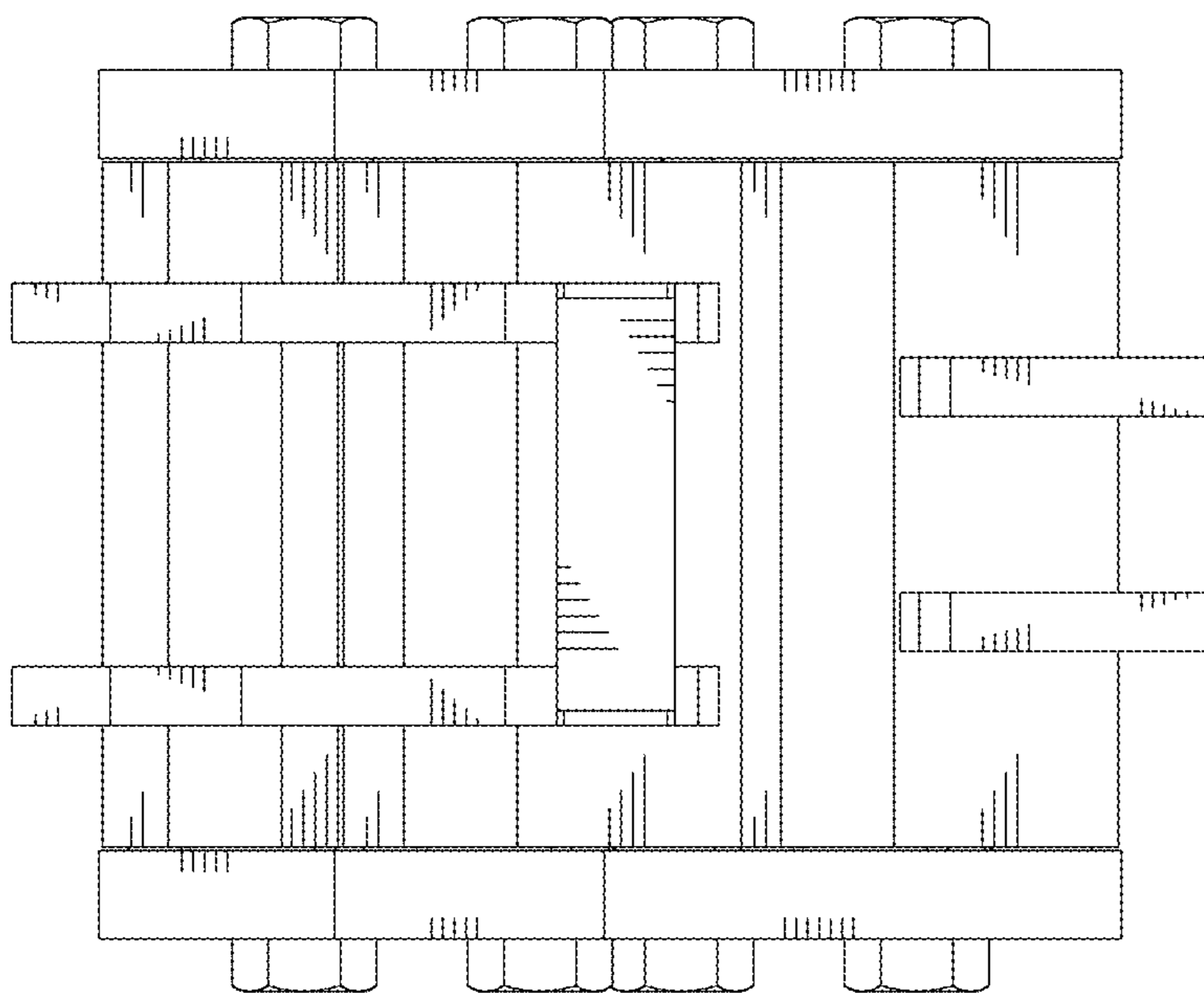


Fig. 7