

US00D86996S

(12) **United States Design Patent**
Hu

(10) **Patent No.:** **US D869,996 S**

(45) **Date of Patent:** **** Dec. 17, 2019**

(54) **STROLLER**

(71) Applicant: **DONGGUAN CROWN SHIN BABY APPLIANCES CO., LTD.**, Guangdong (CN)

(72) Inventor: **Rung-Tsai Hu**, Guangdong (CN)

(**) Term: **15 Years**

(21) Appl. No.: **29/663,184**

(22) Filed: **Sep. 12, 2018**

(51) **LOC (12) Cl.** **12-12**

(52) **U.S. Cl.**
USPC **D12/129**

(58) **Field of Classification Search**
USPC D12/128–133
CPC B62B 7/00–04; B62B 9/00–28
See application file for complete search history.

(56) **References Cited**

U.S. PATENT DOCUMENTS

- 6,431,579 B1 * 8/2002 Kaneko B62B 7/08
280/642
- 6,527,294 B1 * 3/2003 Brewington B62B 7/06
16/30
- D484,075 S * 12/2003 Kassai D12/129
- 6,752,405 B1 * 6/2004 Wright B62B 7/06
280/47.38
- D580,828 S * 11/2008 Chen D12/129

- D585,336 S * 1/2009 van Buul D12/129
- 7,516,966 B2 * 4/2009 Gray B62B 7/08
280/47.38
- D598,333 S * 8/2009 Li D12/129
- D631,401 S * 1/2011 Bagwell D12/129
- D631,402 S * 1/2011 Bagwell D12/129
- D643,786 S * 8/2011 Barenbrug D12/129
- 8,033,555 B2 * 10/2011 Mostert B60N 2/2848
280/47.38
- D651,139 S * 12/2011 Angelfoss D12/129

* cited by examiner

Primary Examiner — Charles D Hanson

(74) *Attorney, Agent, or Firm* — Prakash Nama; Global IP Services, PLLC

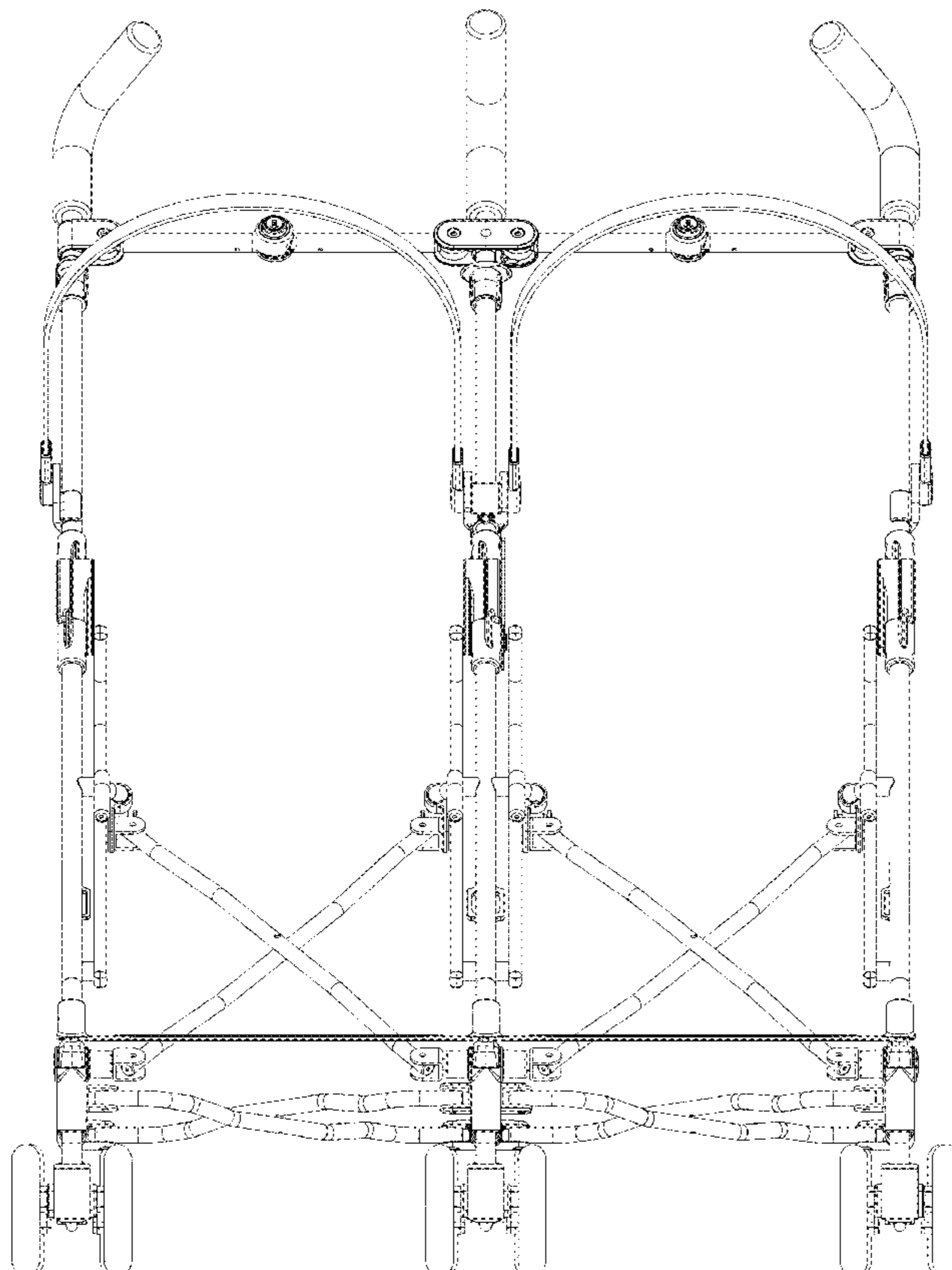
(57) **CLAIM**

The ornamental design for a stroller, as shown.

DESCRIPTION

FIG. 1 is a front elevational view of a stroller showing my new design;
 FIG. 2 is a rear elevational view thereof;
 FIG. 3 is a left side view thereof;
 FIG. 4 is a right side view thereof;
 FIG. 5 is a reduced top plan view thereof;
 FIG. 6 is a reduced bottom plan view thereof;
 FIG. 7 is a perspective view thereof; and,
 FIG. 8 is another perspective view thereof.

1 Claim, 8 Drawing Sheets



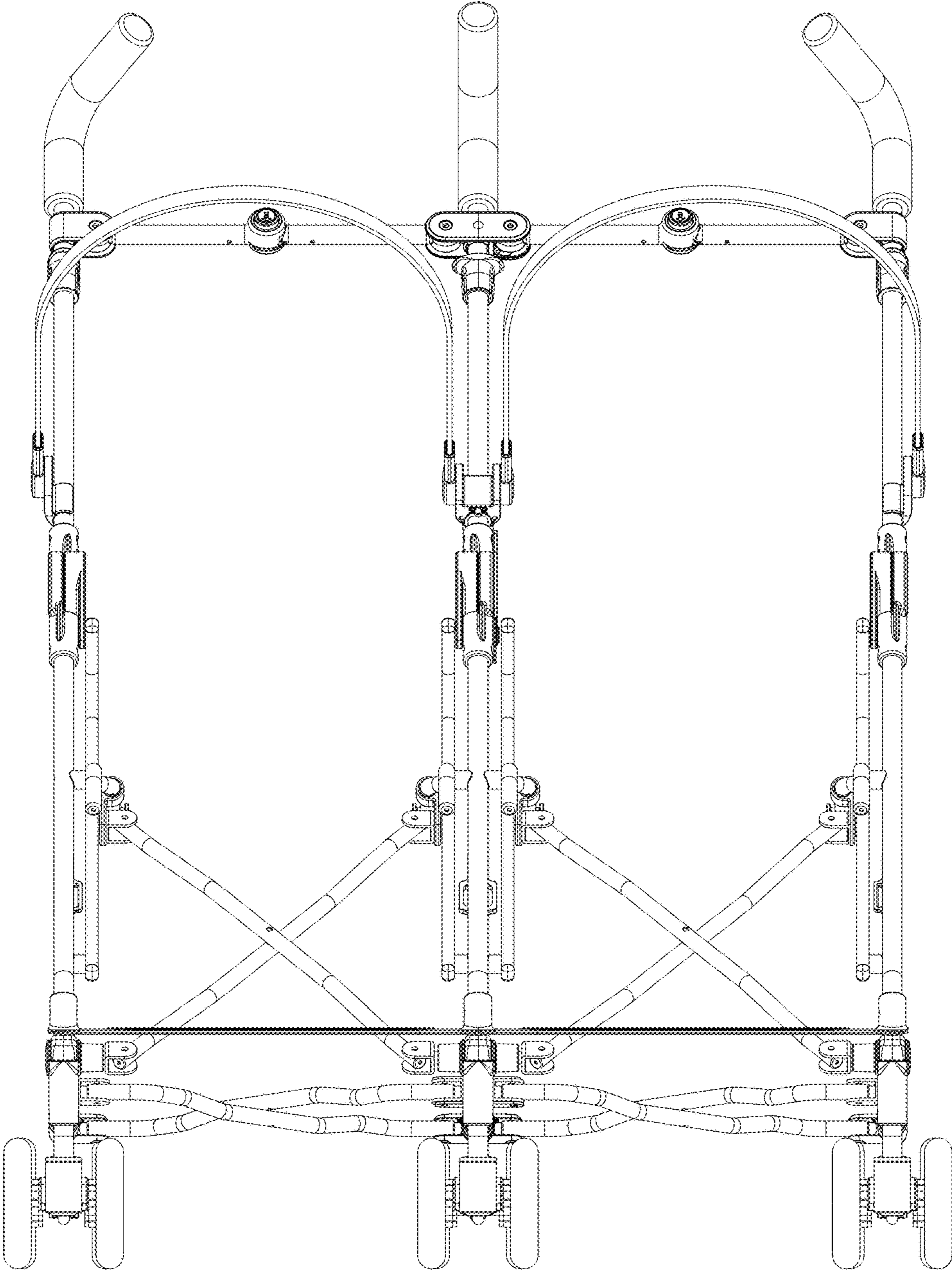


Fig. 1

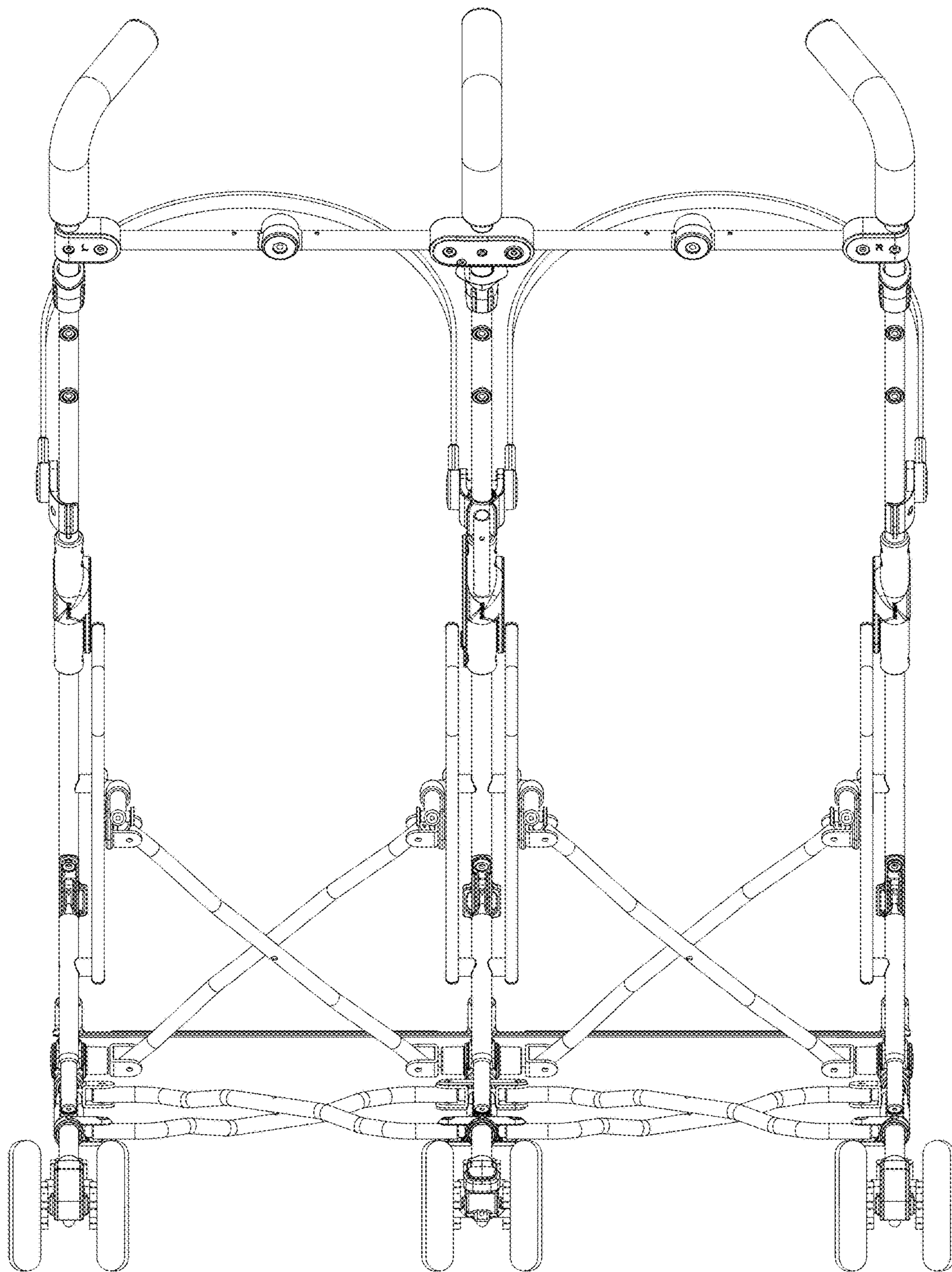


Fig. 2

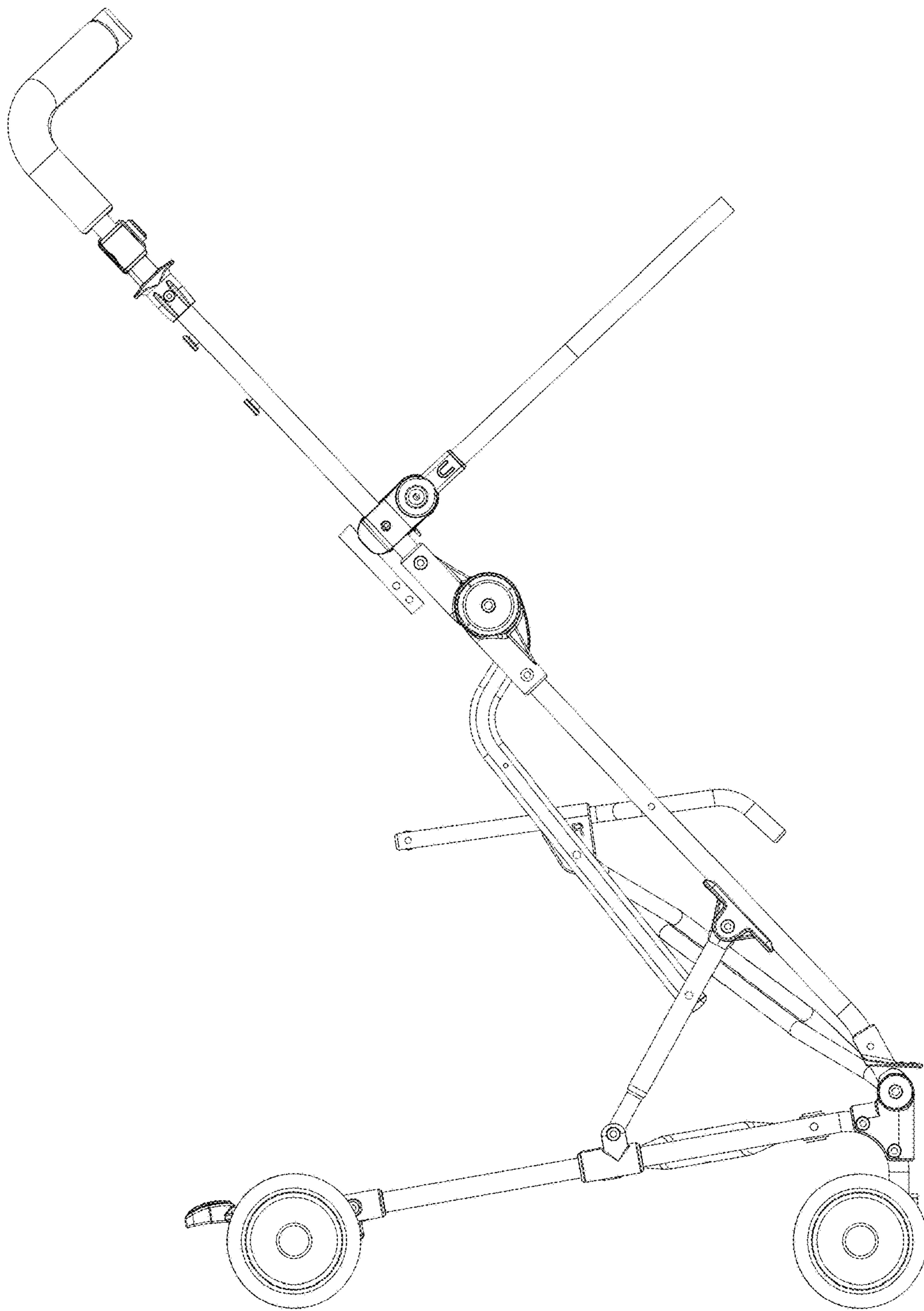


Fig. 3

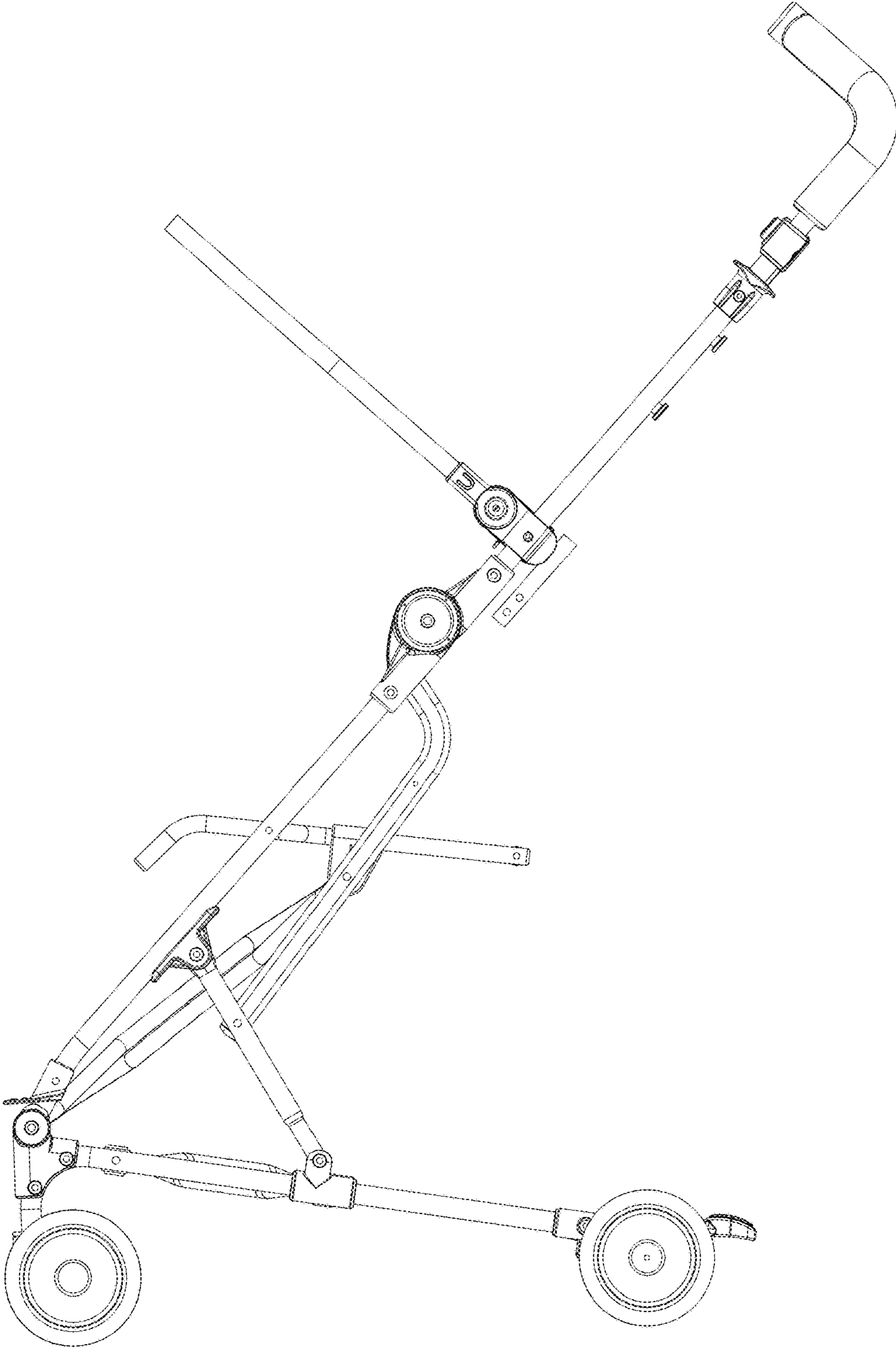


Fig. 4

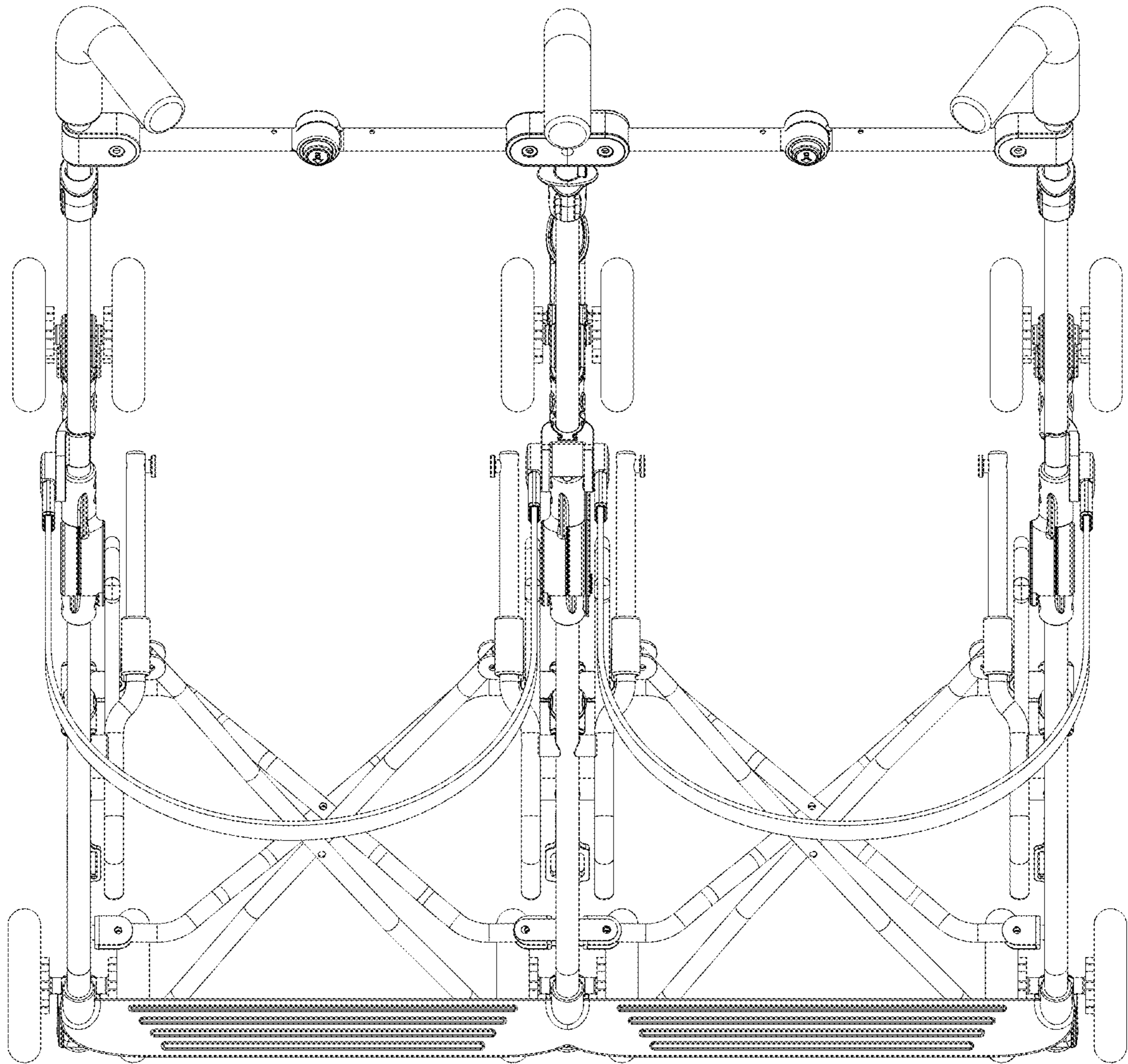


Fig. 5

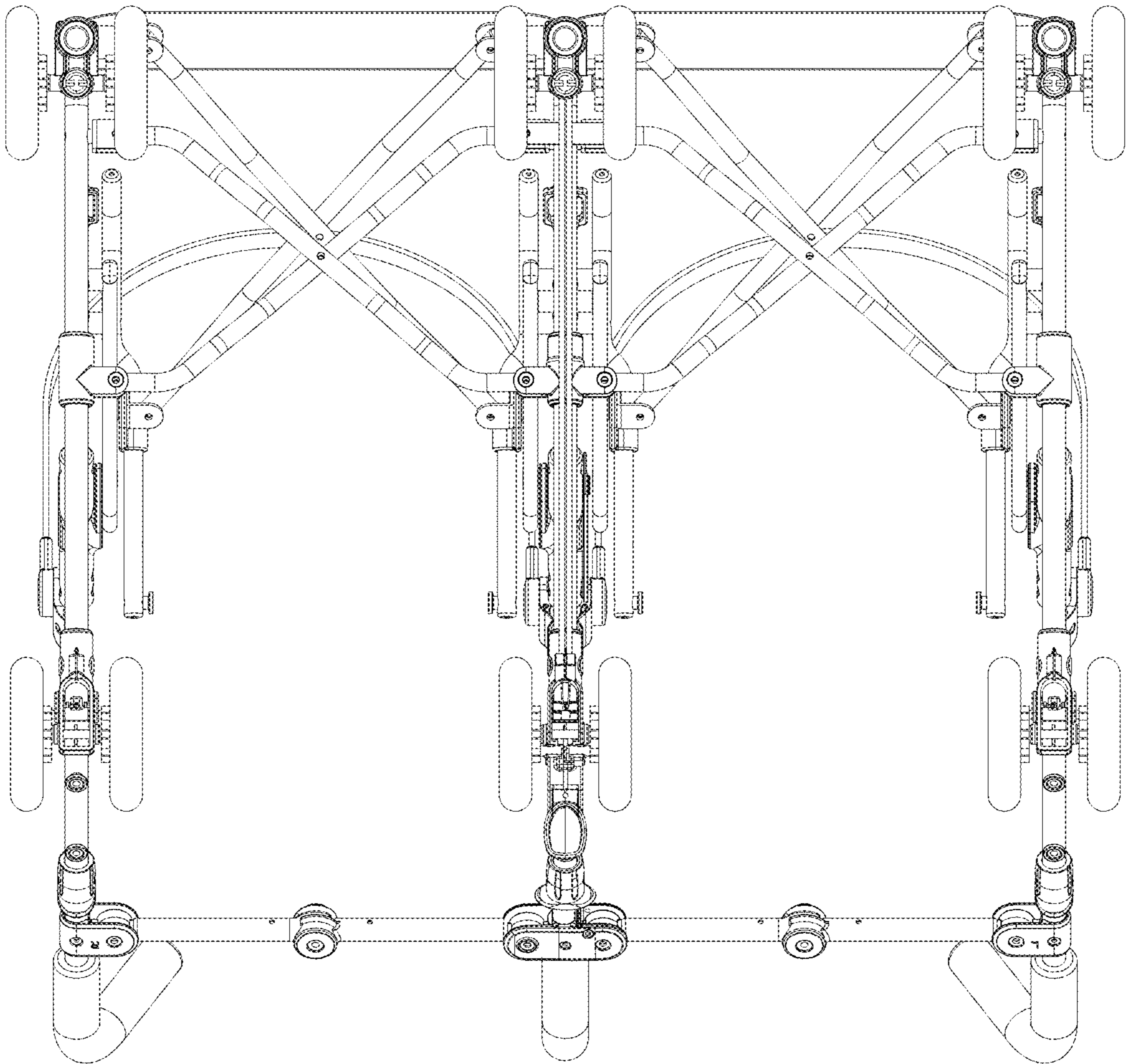


Fig. 6

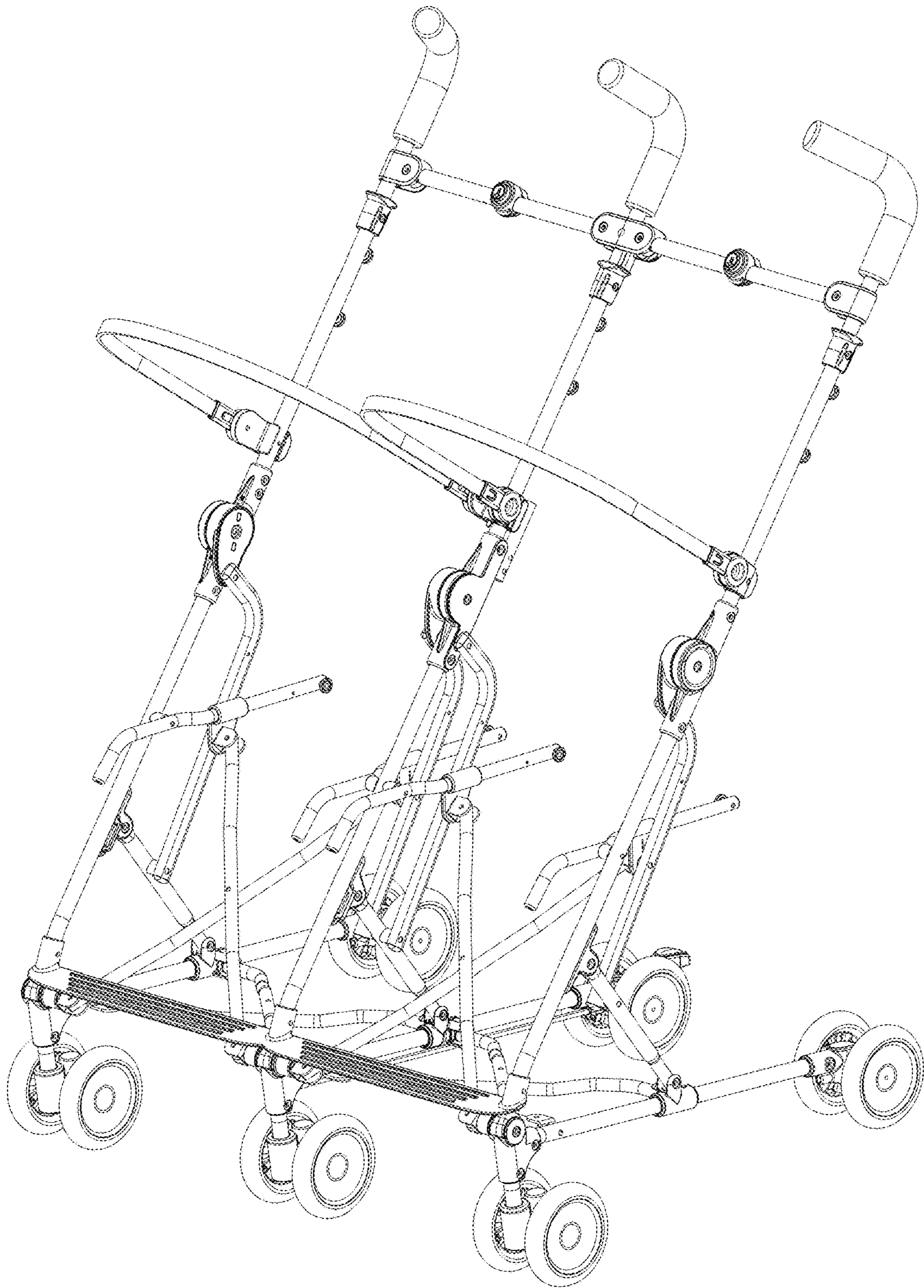


Fig. 7

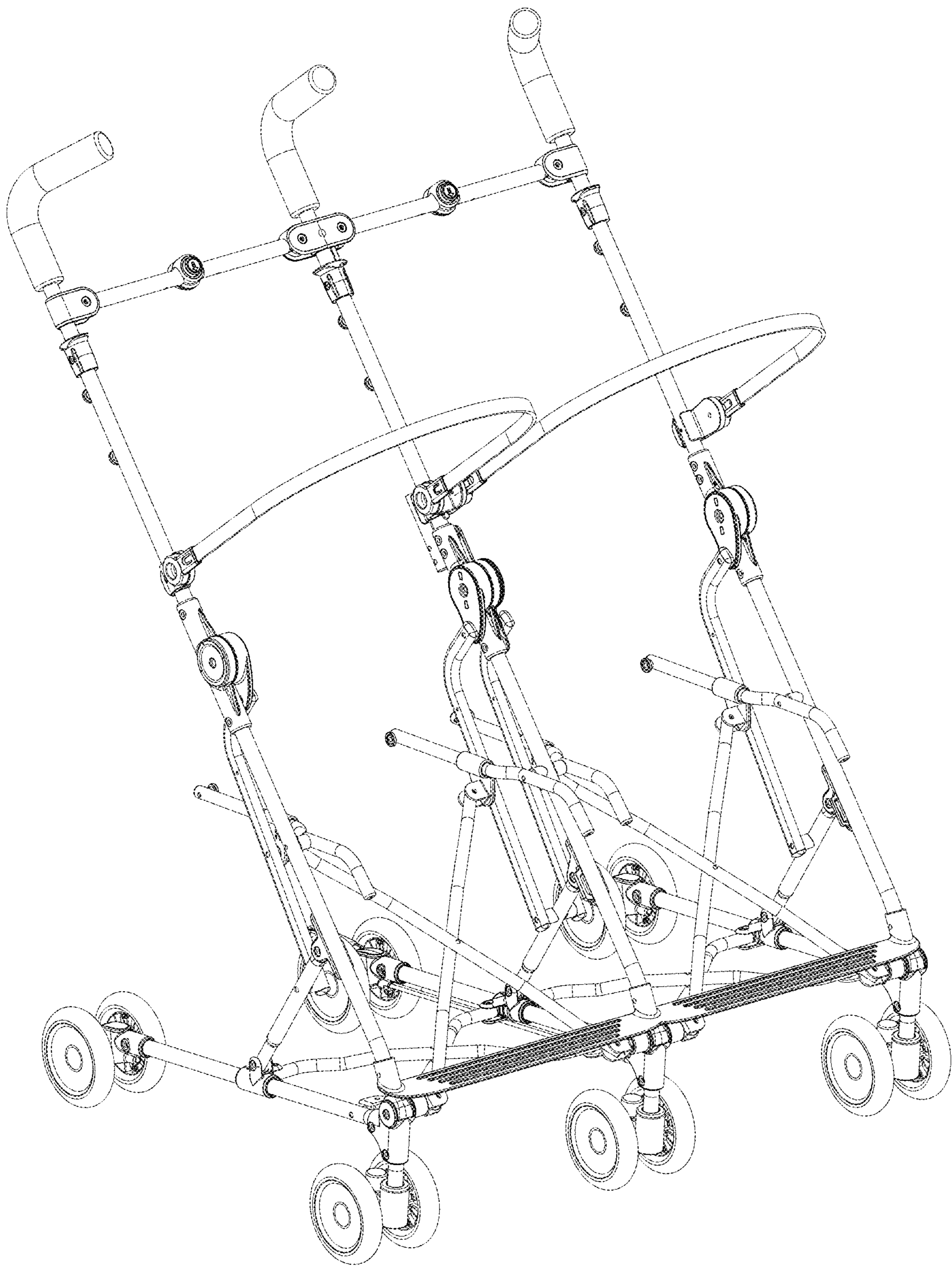


Fig. 8