



US00D86995S

(12) **United States Design Patent**  
**Fukuda**

(10) **Patent No.:** **US D869,995 S**

(45) **Date of Patent:** **\*\* Dec. 17, 2019**

(54) **GRIP HEATER FOR A MOTORCYCLE**

(71) Applicant: **FALTEC Co., Ltd.**, Kawasaki-shi,  
Kanagawa-ken (JP)

(72) Inventor: **Yuichi Fukuda**, Kawasaki (JP)

(73) Assignee: **FALTEC Co., Ltd.**, Kawasaki-Shi,  
Kanagawa-Ken (JP)

(\*\*) Term: **15 Years**

(21) Appl. No.: **29/618,401**

(22) Filed: **Sep. 21, 2017**

(30) **Foreign Application Priority Data**

Mar. 28, 2017 (JP) ..... 2017-006415  
Mar. 28, 2017 (JP) ..... 2017-006416

(51) **LOC (12) Cl.** ..... **12-11**

(52) **U.S. Cl.**  
USPC ..... **D12/114**

(58) **Field of Classification Search**  
USPC ..... D12/114, 110-112, 117, 178, 179;  
D8/303  
CPC ..... B62J 33/00; B62K 21/26; B62K 11/14  
See application file for complete search history.

(56) **References Cited**

**U.S. PATENT DOCUMENTS**

D274,122 S \* 6/1984 Stahel ..... D8/303  
4,497,988 A \* 2/1985 Brown ..... B62J 6/16  
200/61.85  
D335,437 S \* 5/1993 Wilson ..... D8/303  
D412,306 S \* 7/1999 Berto ..... D12/178  
D418,096 S \* 12/1999 Hubbart ..... D12/178  
D426,175 S \* 6/2000 Chin-Fong ..... D12/114  
D430,072 S \* 8/2000 Harrison ..... D12/114  
6,114,668 A \* 9/2000 Ogata ..... B62J 33/00  
219/202  
7,064,292 B1 \* 6/2006 Oishi ..... B62J 33/00  
219/202

D533,481 S \* 12/2006 Goerges ..... D12/114  
D533,813 S \* 12/2006 Fujiwara ..... B62J 33/00  
D12/114  
D546,733 S \* 7/2007 Tanaka ..... D12/114  
D557,643 S \* 12/2007 Douglas ..... D12/178  
D560,463 S \* 1/2008 Egan ..... D8/303  
D576,012 S \* 9/2008 Egan ..... D8/303

(Continued)

*Primary Examiner* — Michelle E. Wilson

*Assistant Examiner* — Clese Moore, Jr.

(74) *Attorney, Agent, or Firm* — Banner & Witcoff, Ltd.

(57) **CLAIM**

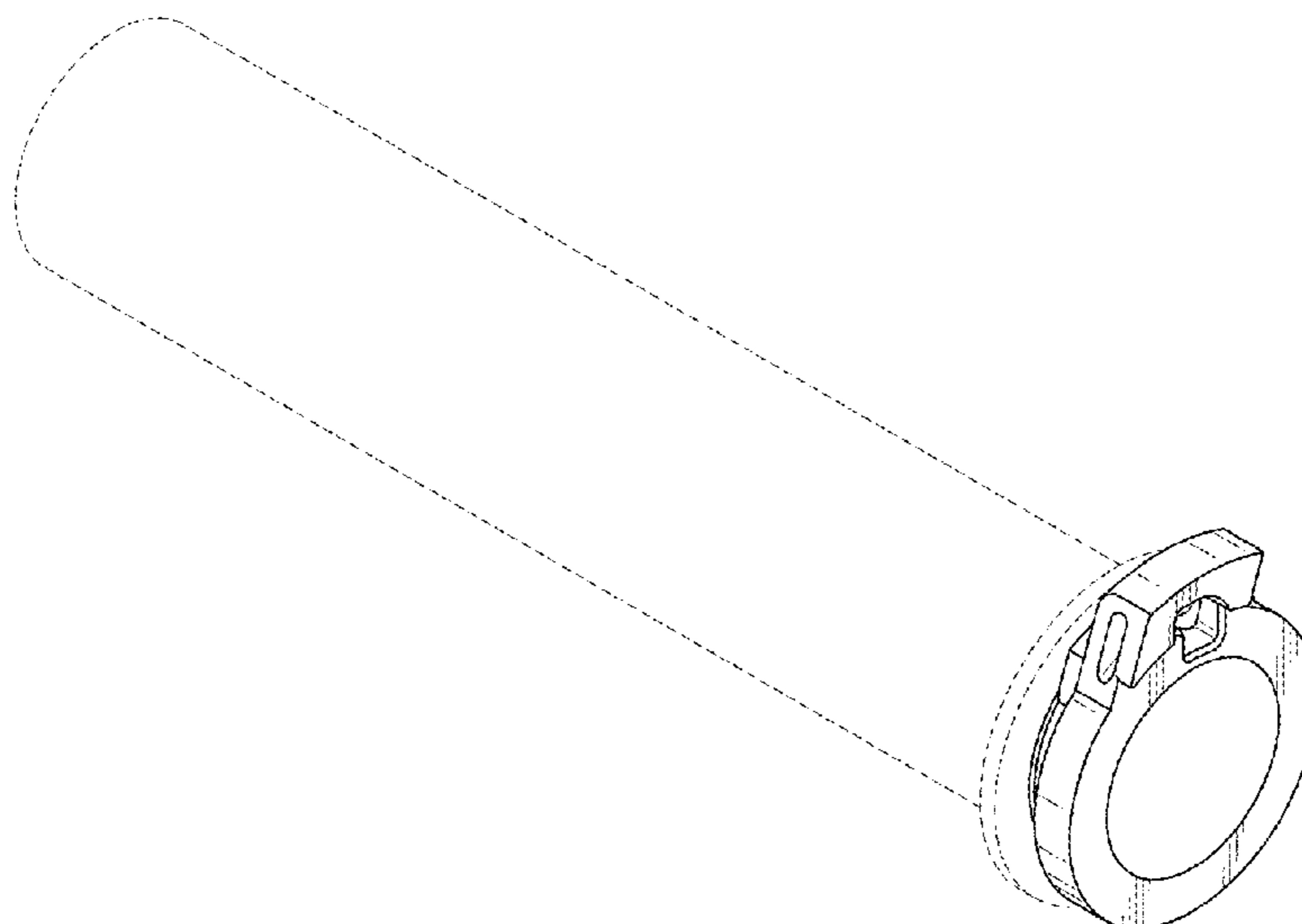
The ornamental design for a grip heater for a motorcycle, as shown and described.

**DESCRIPTION**

FIG. 1 is a front perspective view of a grip heater for a motorcycle showing my new design;  
FIG. 2 is a rear perspective view thereof;  
FIG. 3 is a right side view thereof;  
FIG. 4 is a left side view thereof;  
FIG. 5 is a front view thereof;  
FIG. 6 is a rear view thereof;  
FIG. 7 is a top view thereof;  
FIG. 8 is a bottom view thereof;  
FIG. 9 is a cross-sectional view taken through line 9-9 of FIG. 5;  
FIG. 10 is an enlarged view of the region identified by the broken-line indicia in FIG. 9; and,  
FIG. 11 is an enlarged cross-sectional view taken through line 11-11 of FIG. 3.

The even-length broken lines showing of the remainder of the grip heater for a motorcycle represent unclaimed subject matter and form no part of the claimed design. The uneven-length broken lines immediately adjacent to the shaded area shown in FIGS. 9 and 10 represent the bounds of the claimed design and form no part thereof.

**1 Claim, 11 Drawing Sheets**



(56)

**References Cited**

U.S. PATENT DOCUMENTS

D654,775	S *	2/2012	Higashi .....	D8/303
D725,456	S *	3/2015	May .....	D8/303
D725,987	S *	4/2015	May .....	D8/303
2003/0056618	A1 *	3/2003	Dzurnak .....	B62J 33/00 74/551.9
2005/0173406	A1 *	8/2005	Kurumagawa .....	B62J 33/00 219/482
2008/0116188	A1 *	5/2008	Fukuda .....	B29C 45/14549 219/204
2008/0257102	A1 *	10/2008	Packer .....	B62K 21/26 74/551.9
2010/0053984	A1 *	3/2010	Wang .....	B62J 6/00 362/474

\* cited by examiner

FIG. 1

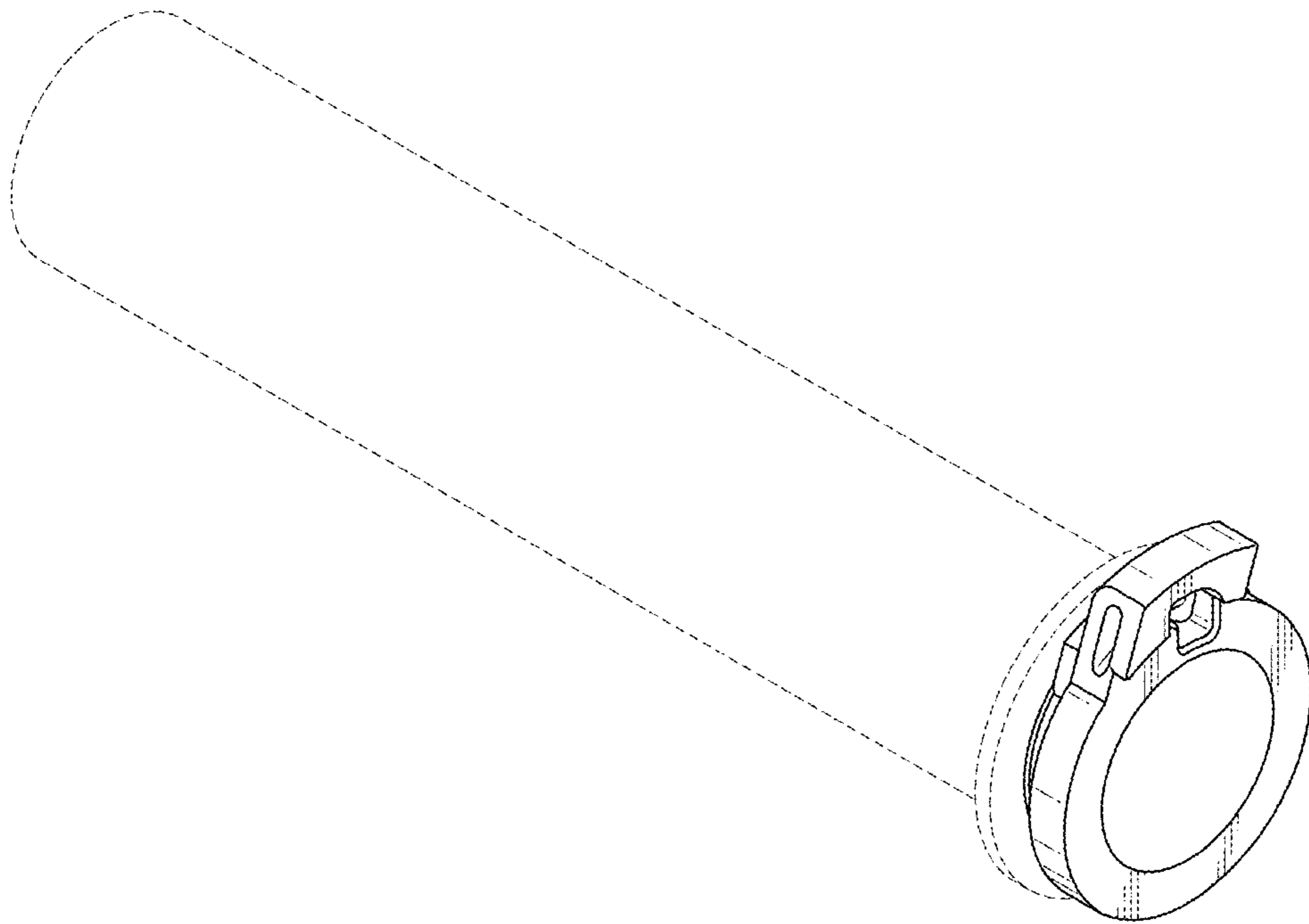


FIG. 2

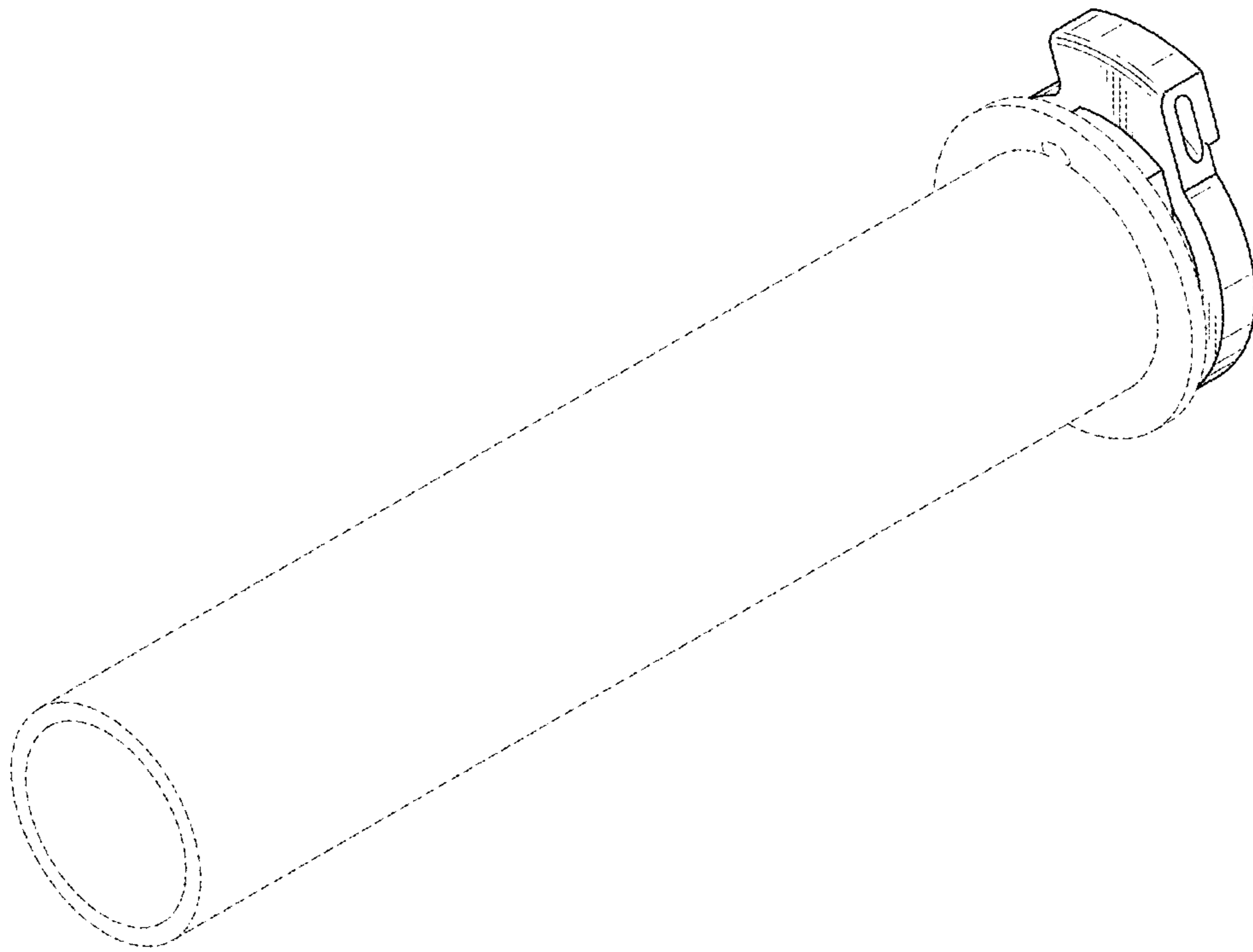


FIG. 3

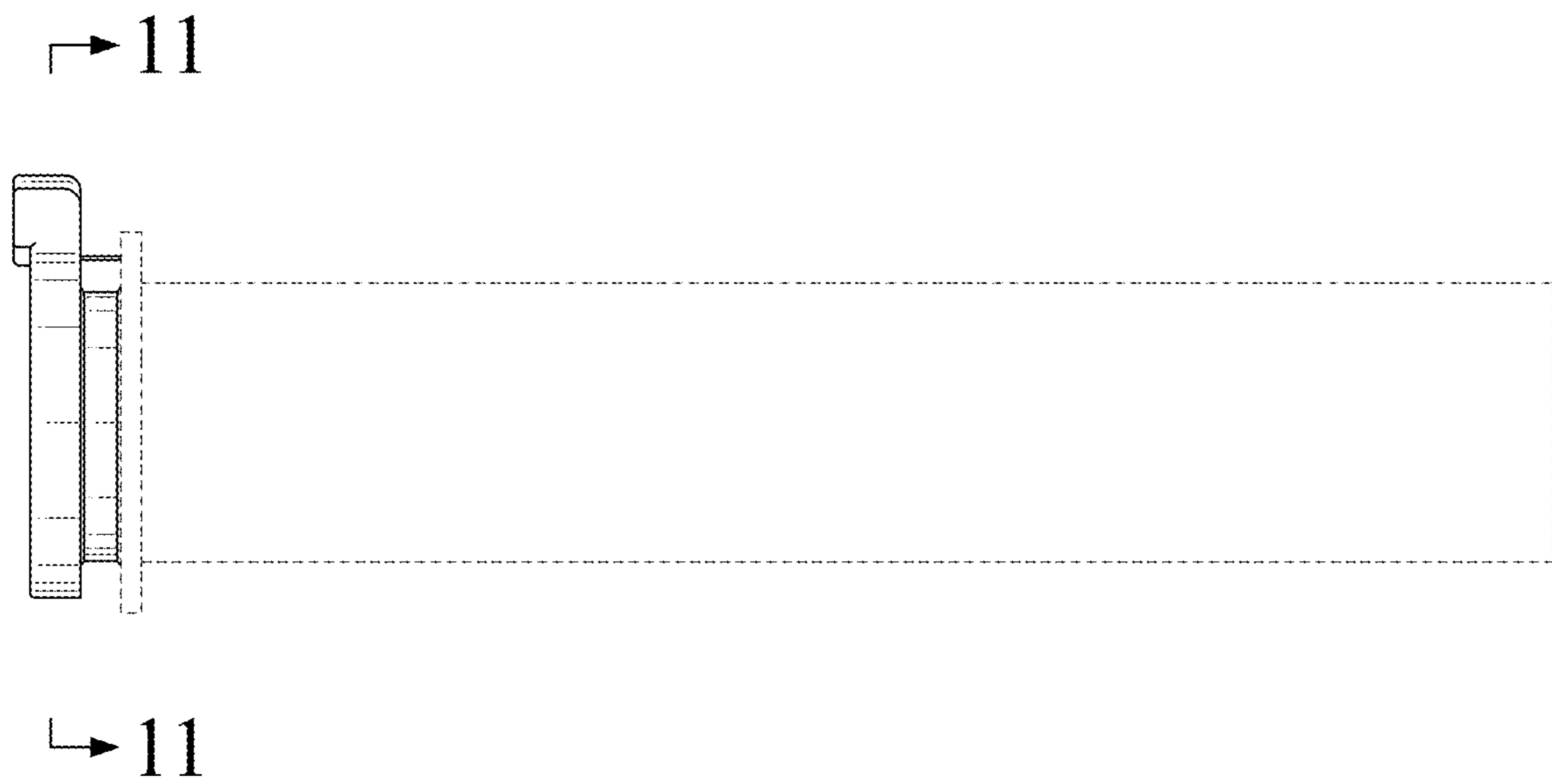


FIG. 4

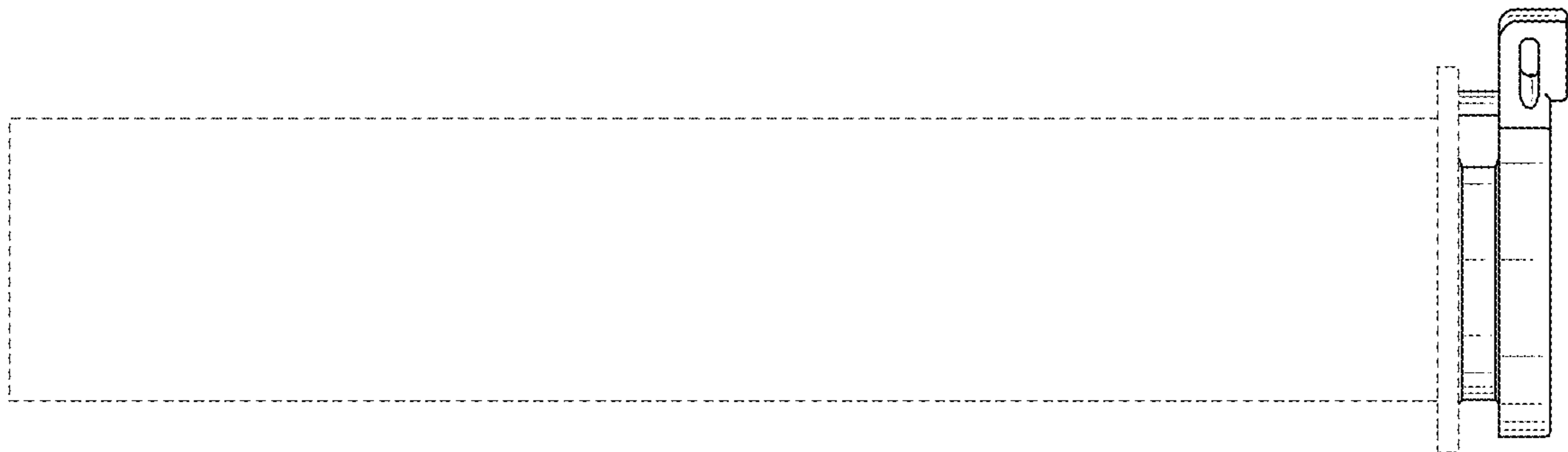
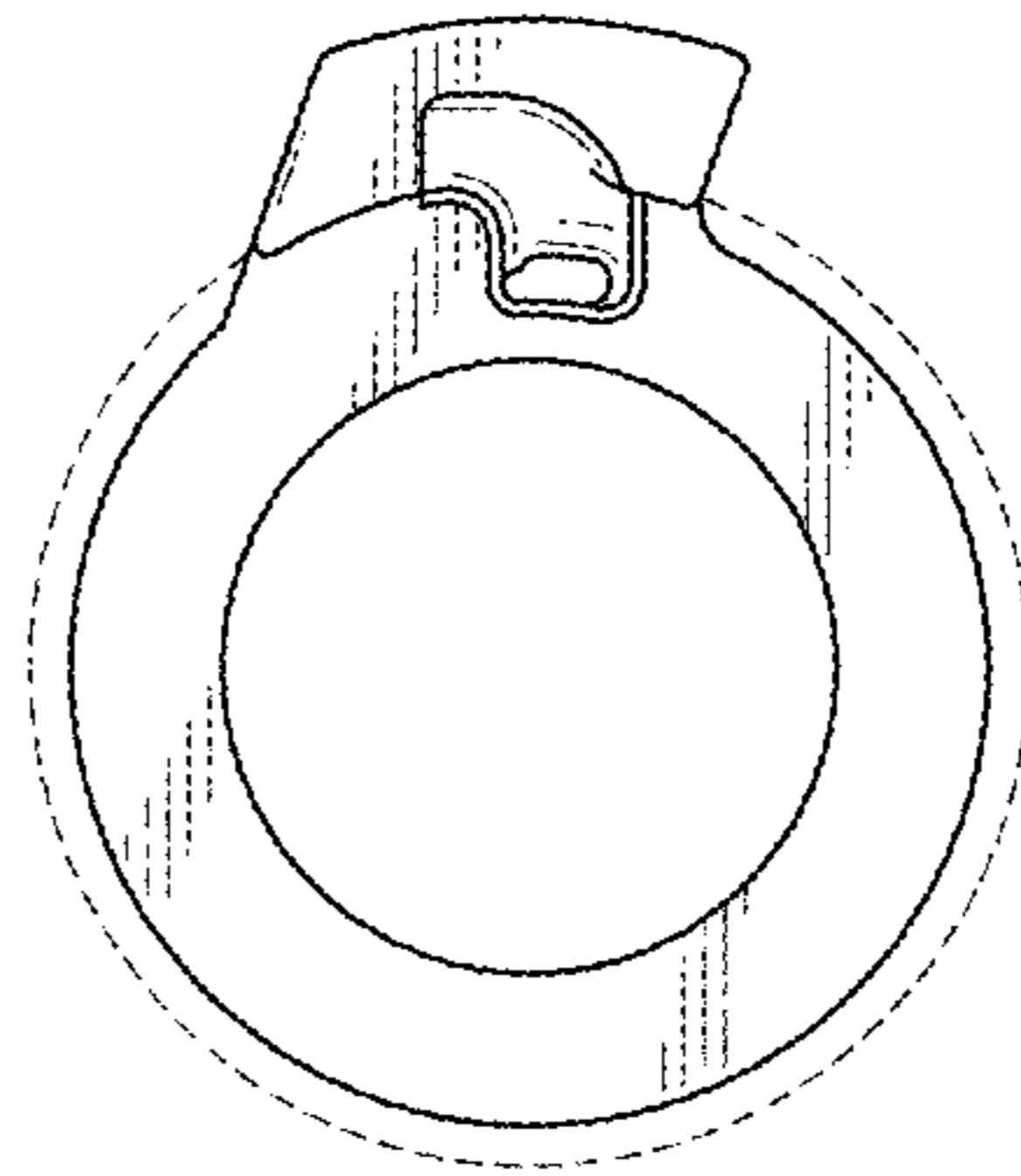


FIG. 5

9 ←



9 ←

FIG. 6

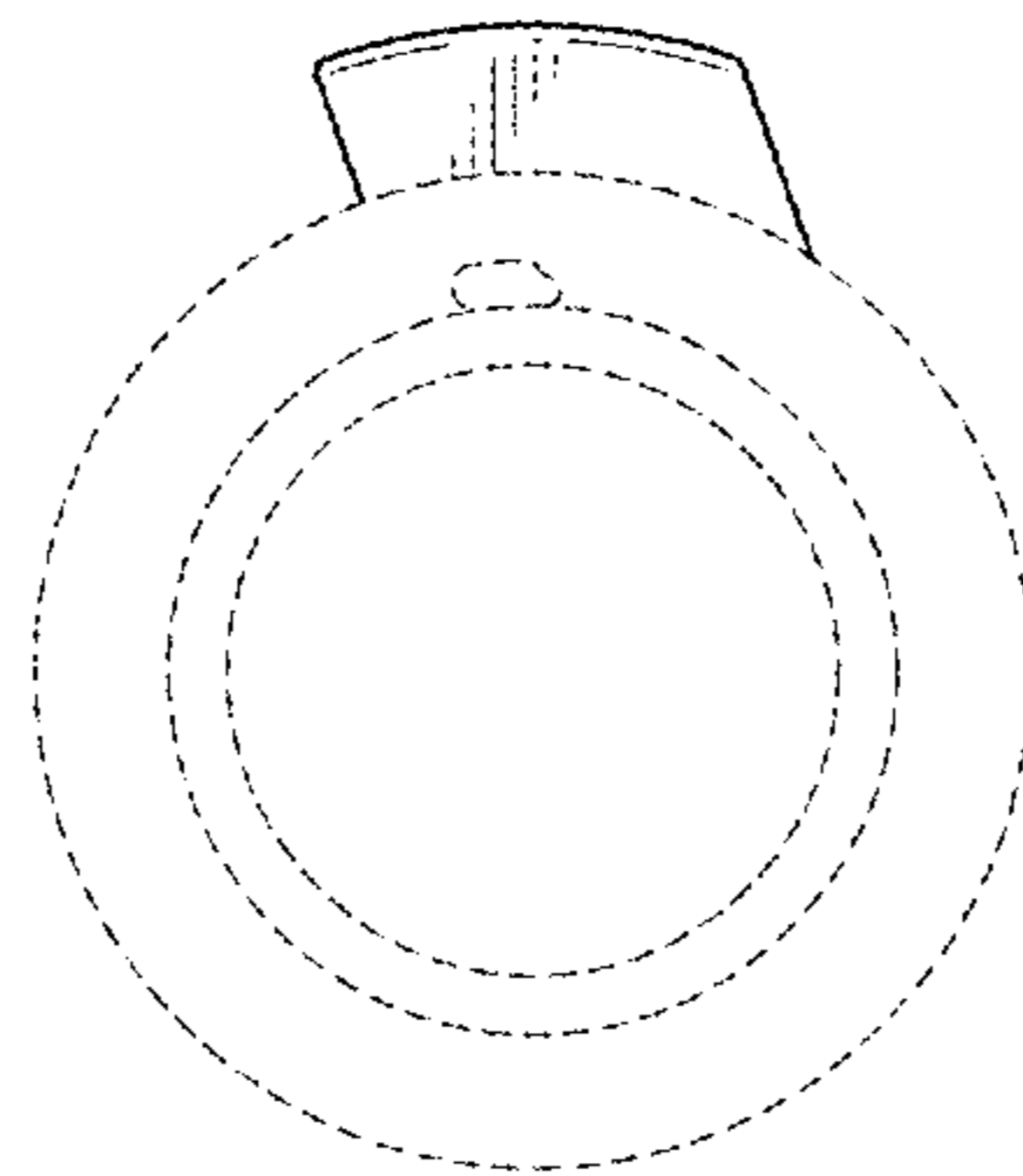




FIG. 7

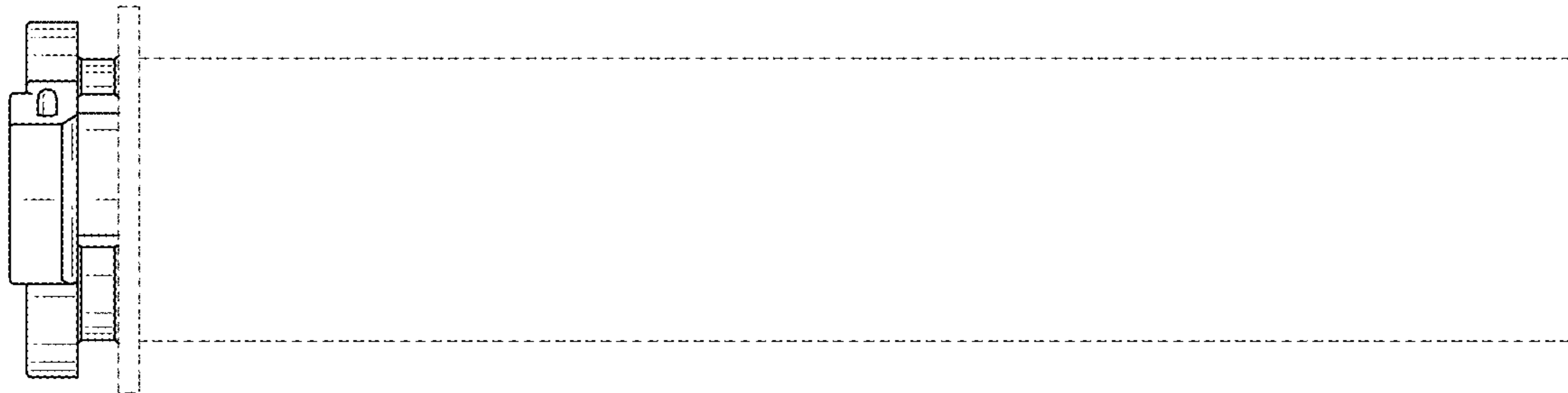


FIG. 8

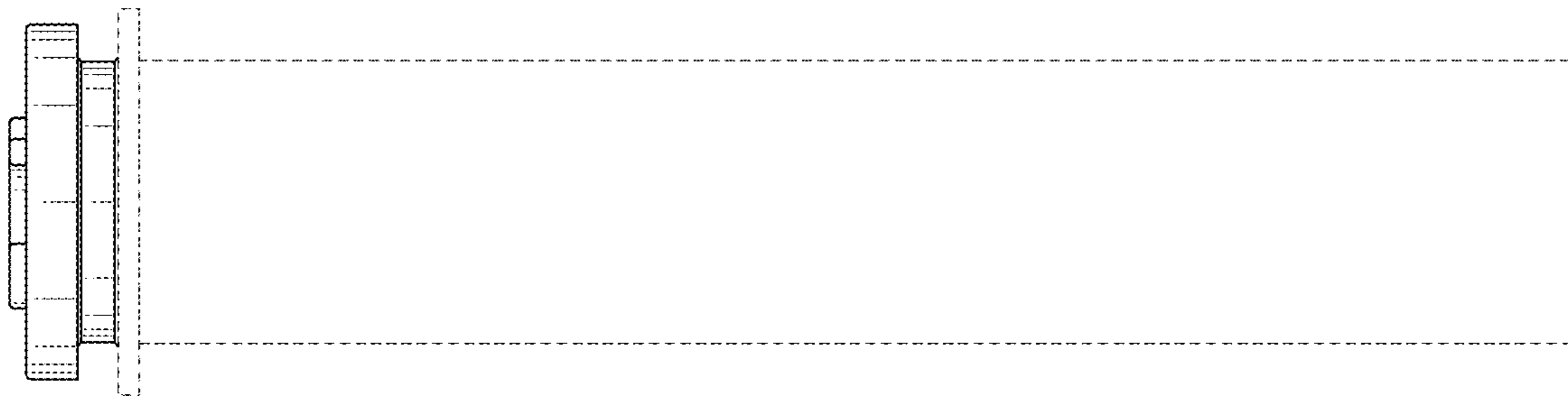


FIG. 9



FIG. 10

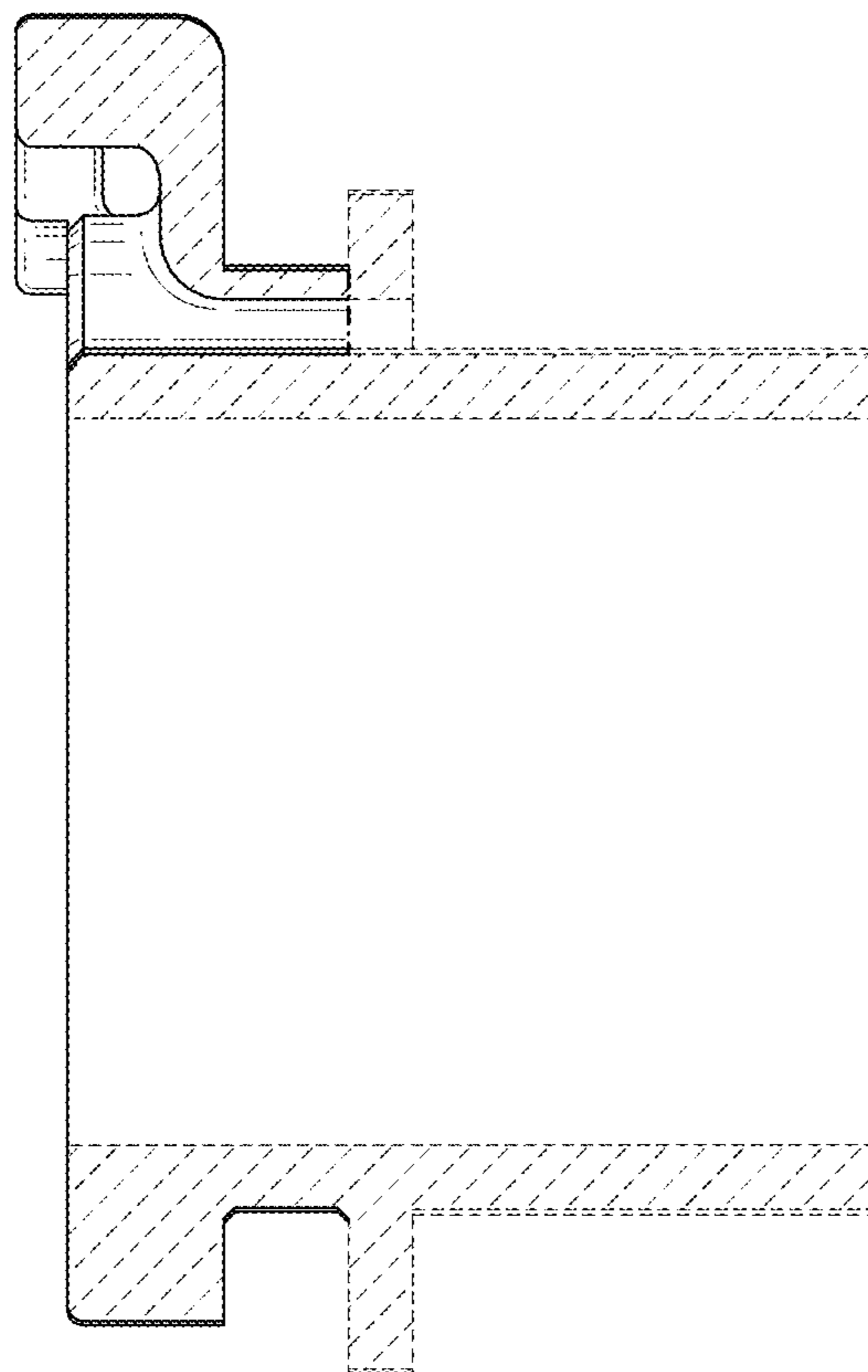


FIG. 11

