

US00D86993S

(12) **United States Design Patent** (10) **Patent No.:** **US D869,993 S**
Sagen et al. (45) **Date of Patent:** **** Dec. 17, 2019**

(54) **TRAILER**

(71) Applicant: **Yakima Products, Inc.**, Lake Oswego, OR (US)

(72) Inventors: **Jason Attfield Sagen**, Portland, OR (US); **John Mark Elliott**, Beaverton, OR (US); **Kevin Lesley**, Beaverton, OR (US)

(73) Assignee: **Yakima Products, Inc.**, Lake Oswego, OR (US)

(**) Term: **15 Years**

(21) Appl. No.: **29/606,453**

(22) Filed: **Jun. 5, 2017**

(51) **LOC (12) Cl.** **12-10**

(52) **U.S. Cl.**
USPC **D12/101**

(58) **Field of Classification Search**
USPC D12/1, 101, 102, 103, 104, 105, 106, D12/111, 112, 86, 88, 90, 91, 92, 93, 95, D12/96, 99
CPC . B60P 3/07; B60P 3/122; B62B 1/206; B62D 21/20; B62K 27/003
See application file for complete search history.

3,367,675 A 2/1968 Gearin
3,451,690 A 6/1969 Cravens
3,507,580 A 4/1970 Howard et al.
3,781,030 A 12/1973 Ekedal
3,885,146 A 5/1975 Whitley, Jr.
3,941,406 A 3/1976 Eggleston
3,966,223 A 6/1976 Carr
4,032,167 A * 6/1977 Chereda B60P 3/07 280/400
D245,495 S * 8/1977 Henderson D12/101
4,180,280 A 12/1979 Doveri
4,230,340 A 10/1980 Wasservogel
4,239,258 A 12/1980 Burris
4,344,643 A 8/1982 Ray
4,398,742 A 8/1983 Sanders
4,415,181 A 11/1983 McCall et al.
4,442,961 A 4/1984 Bott
4,453,735 A 6/1984 Penverne et al.
4,480,851 A 11/1984 St-Pierre

(Continued)

Primary Examiner — Susan E Krakower
Assistant Examiner — Jerry Shiuhan-Hua Hsu
(74) *Attorney, Agent, or Firm* — Kolisch Hartwell, P.C.

(57) **CLAIM**
The ornamental design for a trailer, as shown and described.

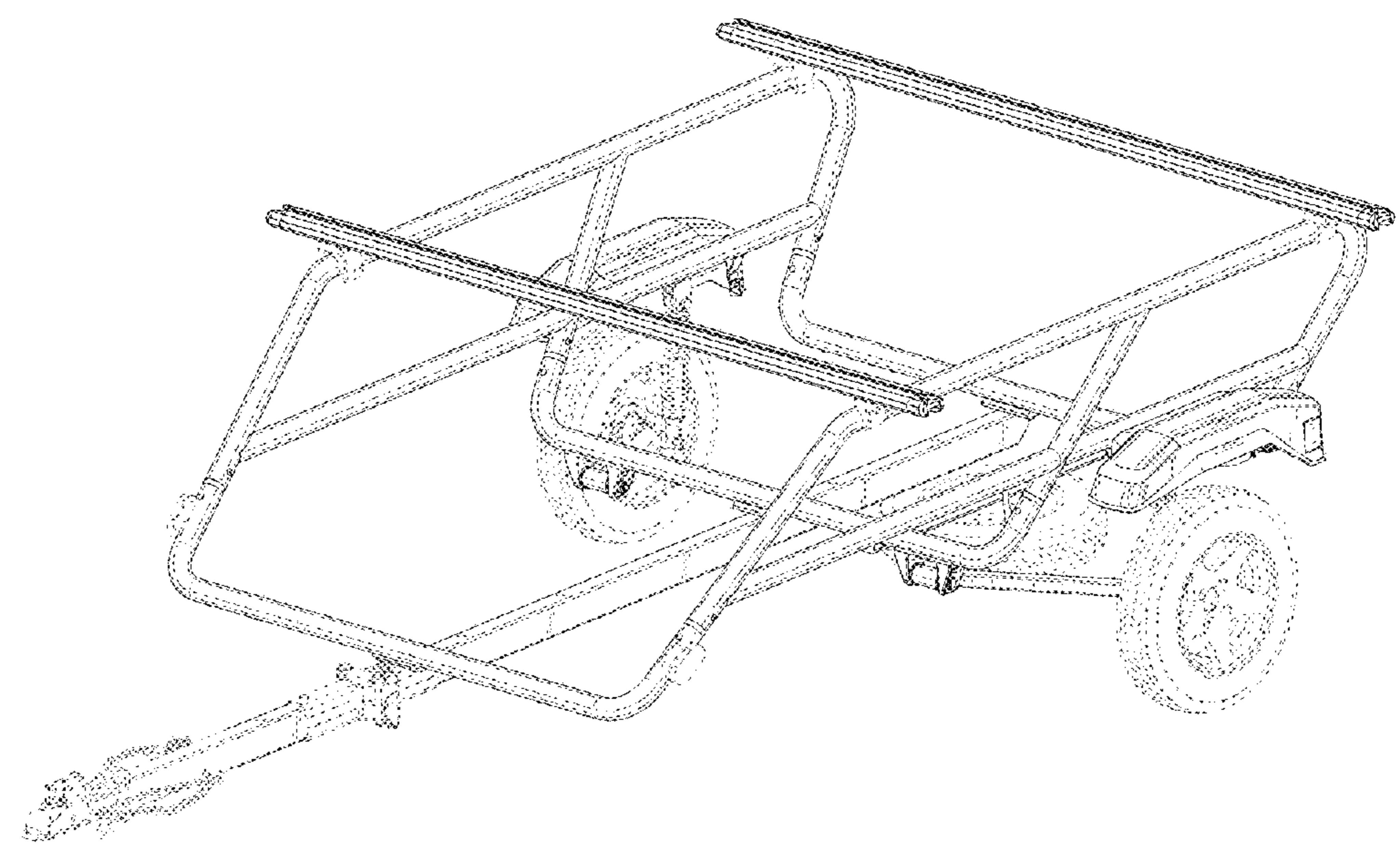
DESCRIPTION

FIG. 1 is a front, top, and left side perspective view of a trailer showing the new design; FIG. 2 is a rear, top, and right side perspective view thereof; FIG. 3 is a top plan view thereof; FIG. 4 is a left side elevation thereof; FIG. 5 is a rear elevation thereof; FIG. 6 is a right side elevation thereof; FIG. 7 is a front elevation thereof; and, FIG. 8 is a bottom plan view thereof. The dashed lines illustrate portions of the trailer that form no part of the claimed design.

1 Claim, 8 Drawing Sheets

(56) **References Cited**
U.S. PATENT DOCUMENTS

341,690 A	5/1886	Reichenbach
639,991 A	12/1899	Jewell
2,174,063 A	9/1939	Richards
2,456,013 A	12/1948	Nelson
2,468,914 A	5/1949	Banaszak et al.
2,469,506 A	5/1949	Kerr et al.
2,879,072 A	3/1959	Rear et al.
3,025,985 A	3/1962	Crawford
3,031,180 A	4/1962	Sergay



(56)

References Cited

U.S. PATENT DOCUMENTS

4,746,142 A 5/1988 Davis
 4,765,642 A 8/1988 Struzina
 4,768,806 A 9/1988 Tétreault
 4,786,073 A 11/1988 Harper
 4,800,471 A 1/1989 Lippert
 4,995,129 A 2/1991 Comardo
 5,137,297 A 8/1992 Walker
 D336,869 S * 6/1993 Leib D12/101
 5,249,823 A 10/1993 McCoy et al.
 5,265,897 A 11/1993 Stephens
 D346,772 S * 5/1994 Godbersen D12/101
 5,340,134 A 8/1994 Dodson
 5,364,081 A 11/1994 Hartl
 5,368,325 A 11/1994 Hazen
 5,397,148 A 3/1995 Nelson
 5,549,231 A 8/1996 Fletcher et al.
 D375,921 S * 11/1996 Kunkle D12/101
 D376,564 S * 12/1996 Mishoe D12/101
 5,673,928 A 10/1997 Jury
 D391,525 S * 3/1998 Savitski D12/102
 5,924,836 A 7/1999 Kelly
 5,941,542 A 8/1999 Kalman
 6,164,683 A 12/2000 Kalman
 6,199,909 B1 3/2001 Kass et al.
 6,283,496 B1 9/2001 Dickmann
 6,428,035 B1 * 8/2002 Maxwell B60P 3/122
 280/656
 6,447,237 B1 * 9/2002 Haynes B60P 3/122
 280/43.18
 6,585,285 B2 7/2003 Koch
 6,623,028 B1 9/2003 Johnston
 6,695,329 B2 2/2004 Handa
 6,869,095 B2 3/2005 Roll et al.
 6,951,346 B2 10/2005 Brackett et al.

7,059,626 B2 6/2006 Koch
 7,073,816 B1 7/2006 Larson et al.
 D566,623 S 4/2008 Dempsey et al.
 D566,624 S 4/2008 Dempsey et al.
 D566,625 S 4/2008 Dempsey et al.
 7,410,184 B2 8/2008 Roll et al.
 7,552,933 B1 * 6/2009 Beckman B62K 27/003
 280/202
 7,591,337 B2 9/2009 Suhre et al.
 7,731,219 B2 6/2010 Okerlund et al.
 7,789,452 B2 9/2010 Dempsey et al.
 7,810,835 B2 10/2010 Koch
 7,810,866 B2 10/2010 Dempsey et al.
 7,850,184 B1 * 12/2010 Beckman, Sr. B62K 27/003
 280/202
 D648,656 S * 11/2011 Crane D12/101
 D660,748 S * 5/2012 Cooley D12/101
 D667,757 S * 9/2012 Cooper D12/101
 8,439,426 B2 5/2013 Dempsey et al.
 D698,699 S 2/2014 Dempsey et al.
 D698,700 S 2/2014 Dempsey et al.
 D698,701 S 2/2014 Dempsey et al.
 D706,684 S 6/2014 Dempsey et al.
 8,746,778 B2 6/2014 Dempsey et al.
 D823,732 S * 7/2018 Tran D12/101
 10,023,261 B2 * 7/2018 Kilcrease B62K 27/003
 2001/0045720 A1 11/2001 Schlicht
 2002/0079669 A1 6/2002 Hagen et al.
 2003/0080538 A1 * 5/2003 Watts B62B 1/206
 280/652
 2005/0029776 A1 2/2005 Koch
 2005/0110264 A1 5/2005 Seki et al.
 2006/0001230 A1 * 1/2006 Finch B62K 27/003
 280/204
 2007/0246911 A1 10/2007 Shawyer
 2009/0026736 A1 1/2009 Koch
 2018/0346042 A1 * 12/2018 Elliott B62D 21/20

* cited by examiner

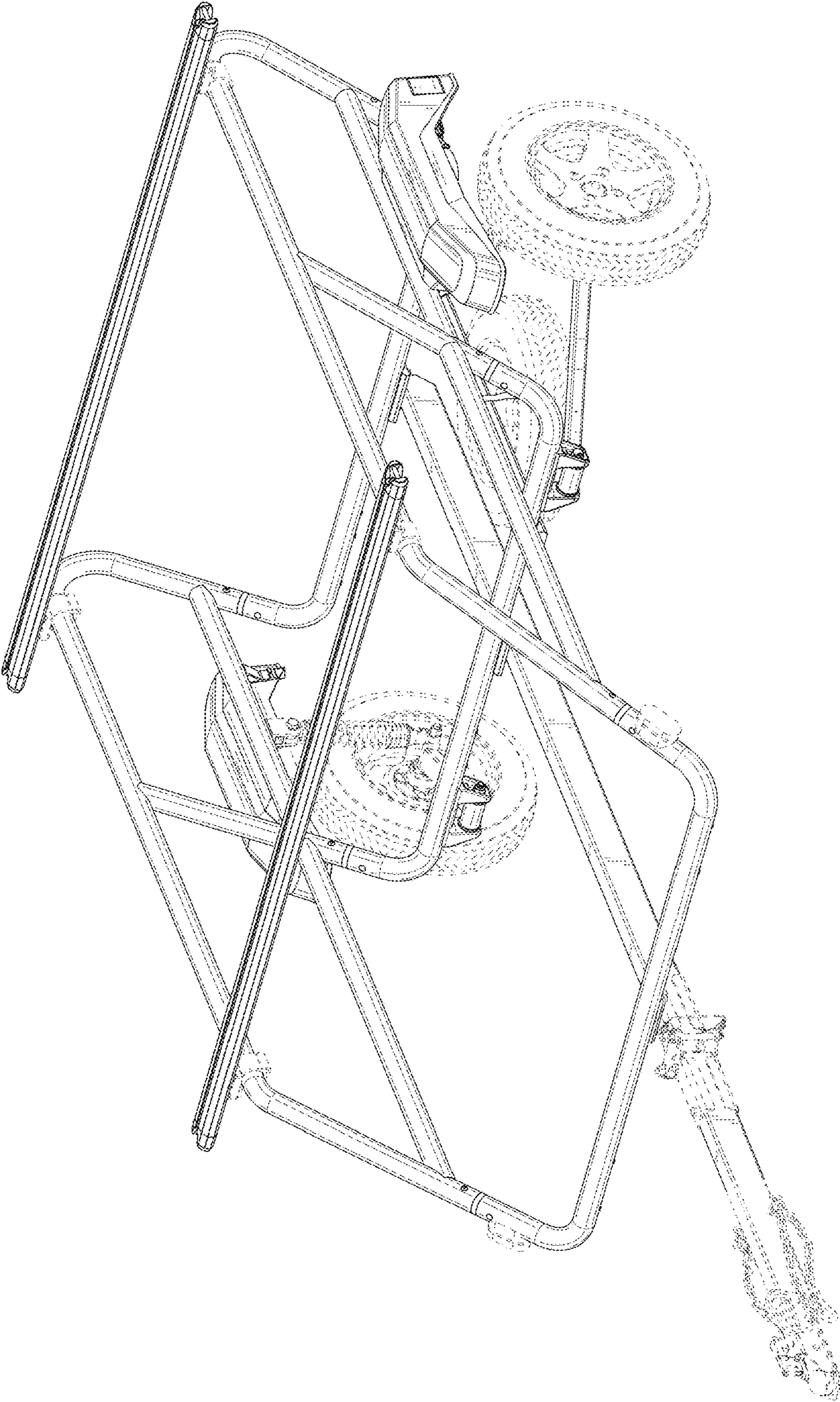


FIG. 1

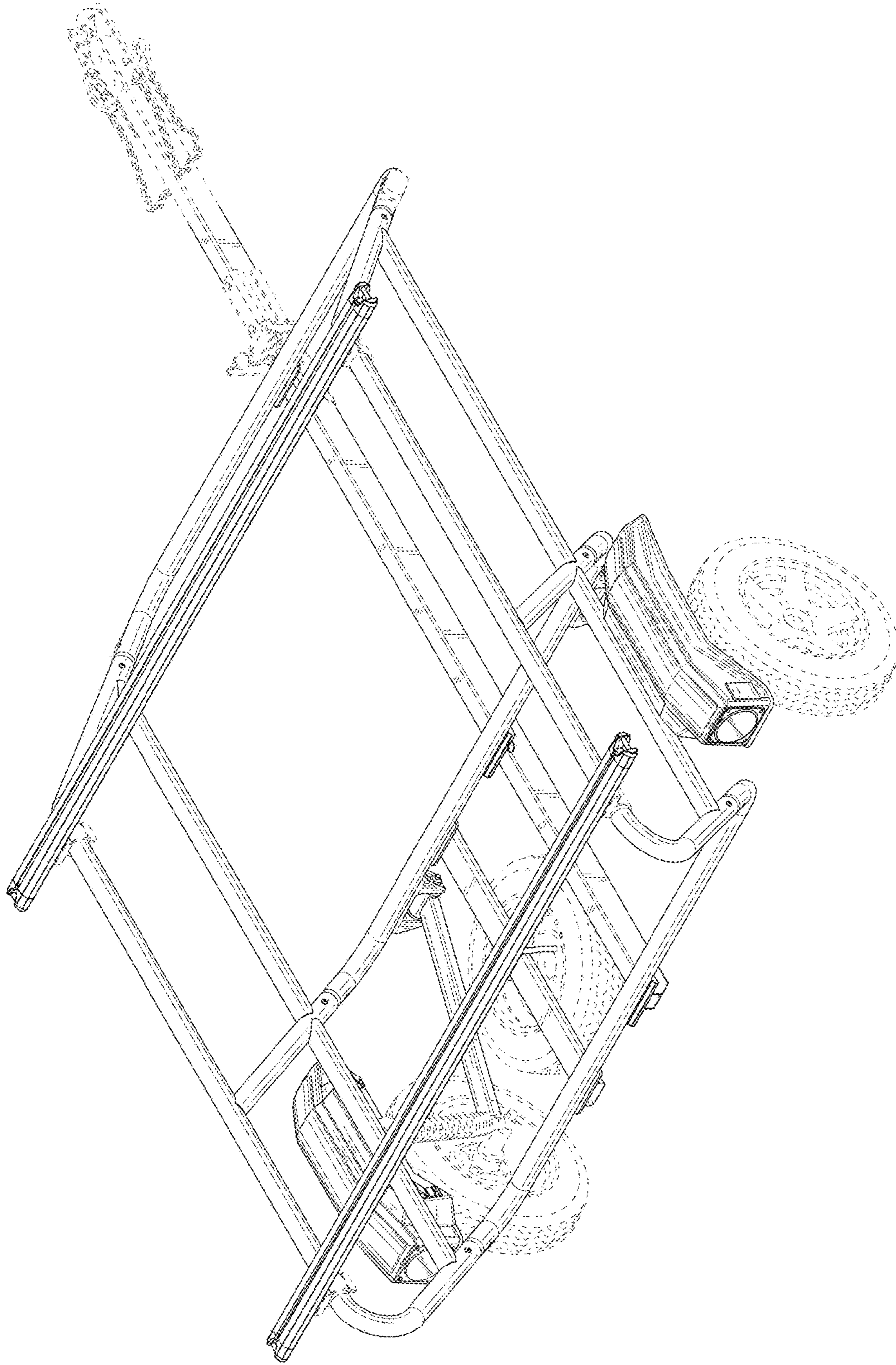
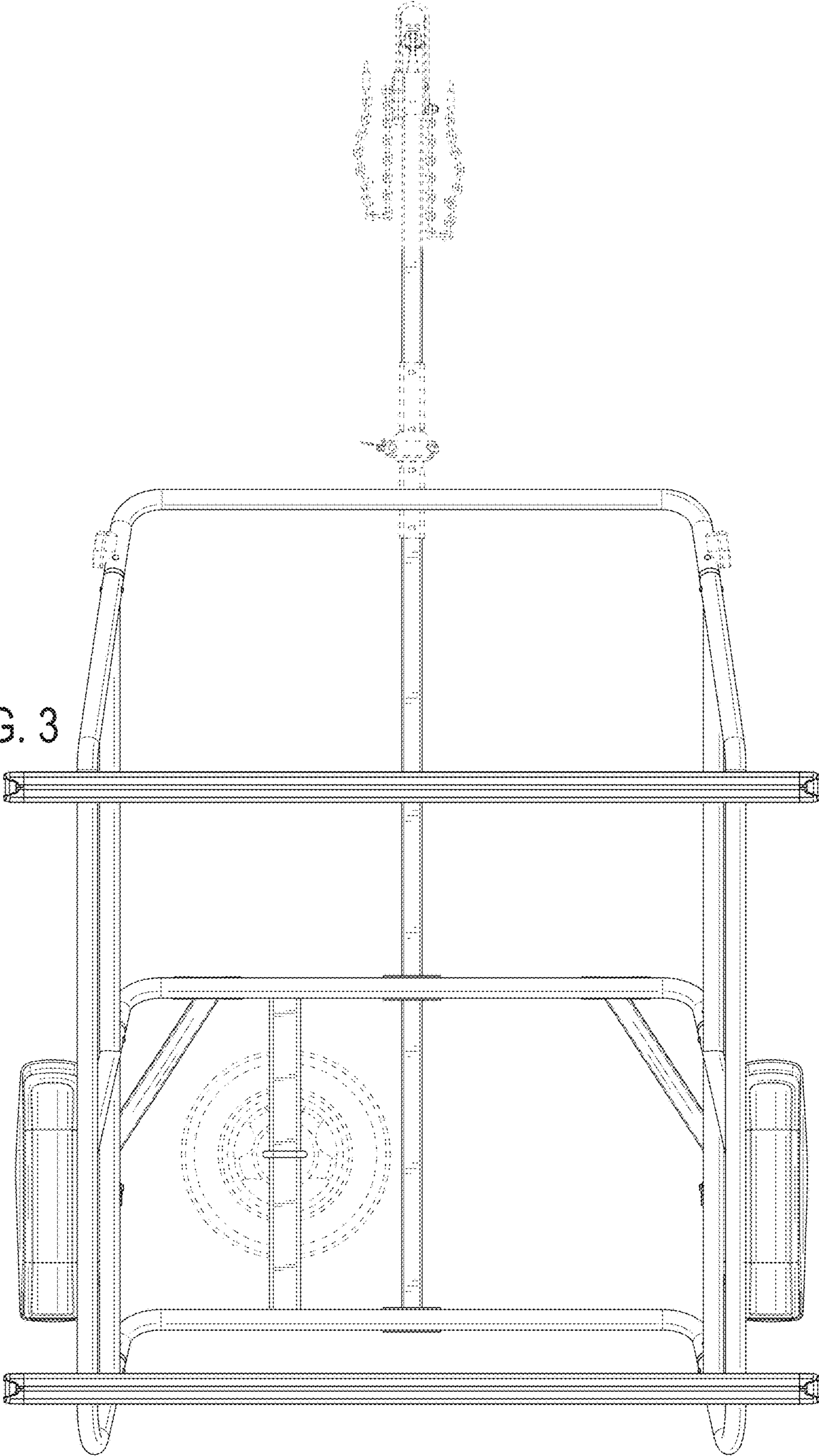


FIG. 2

FIG. 3



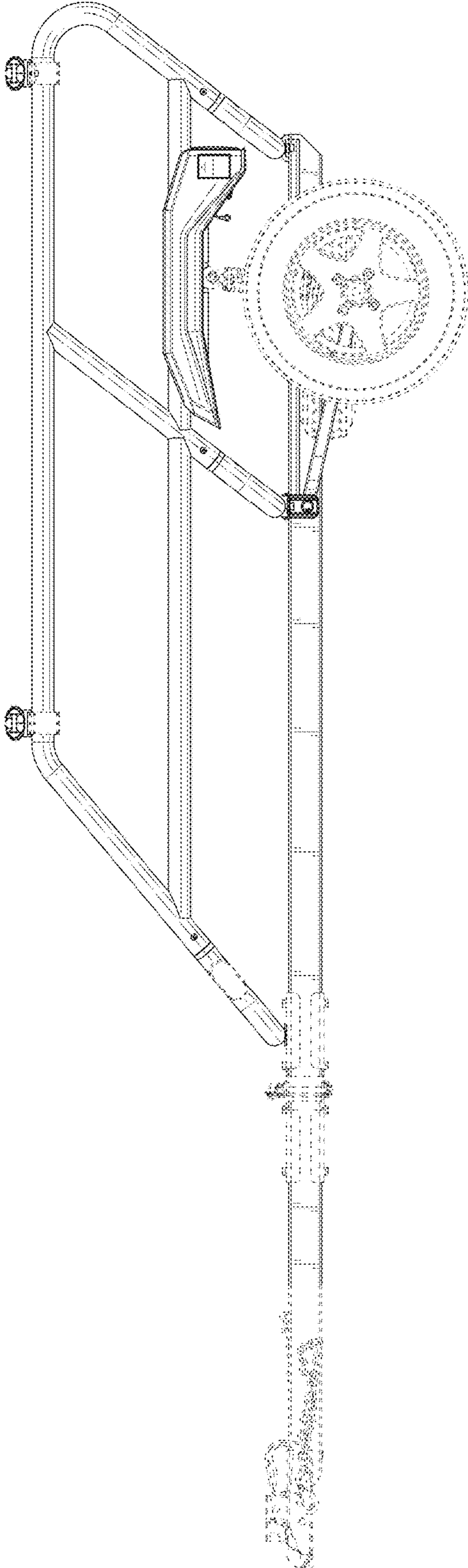


FIG. 4

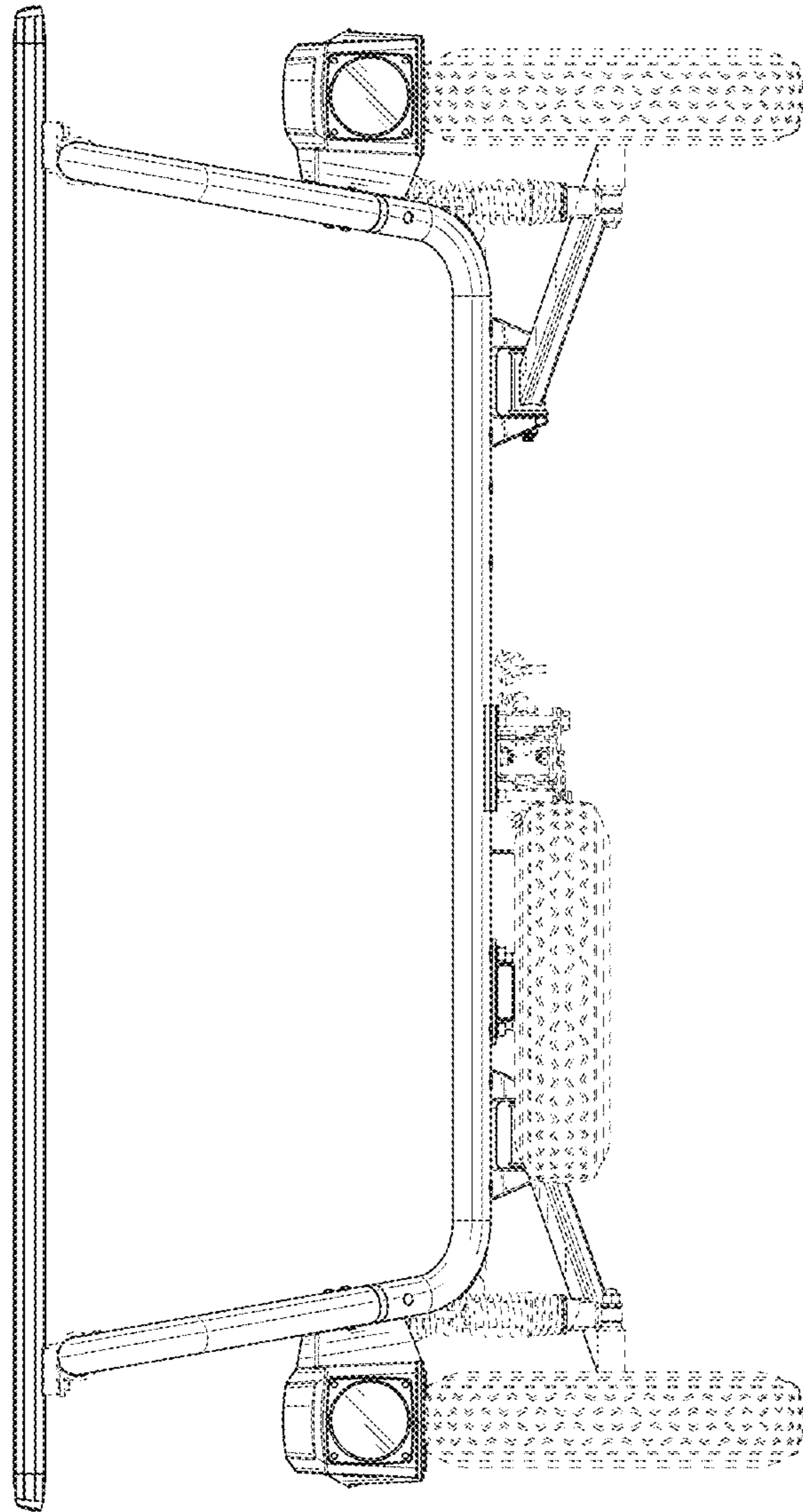


FIG. 5

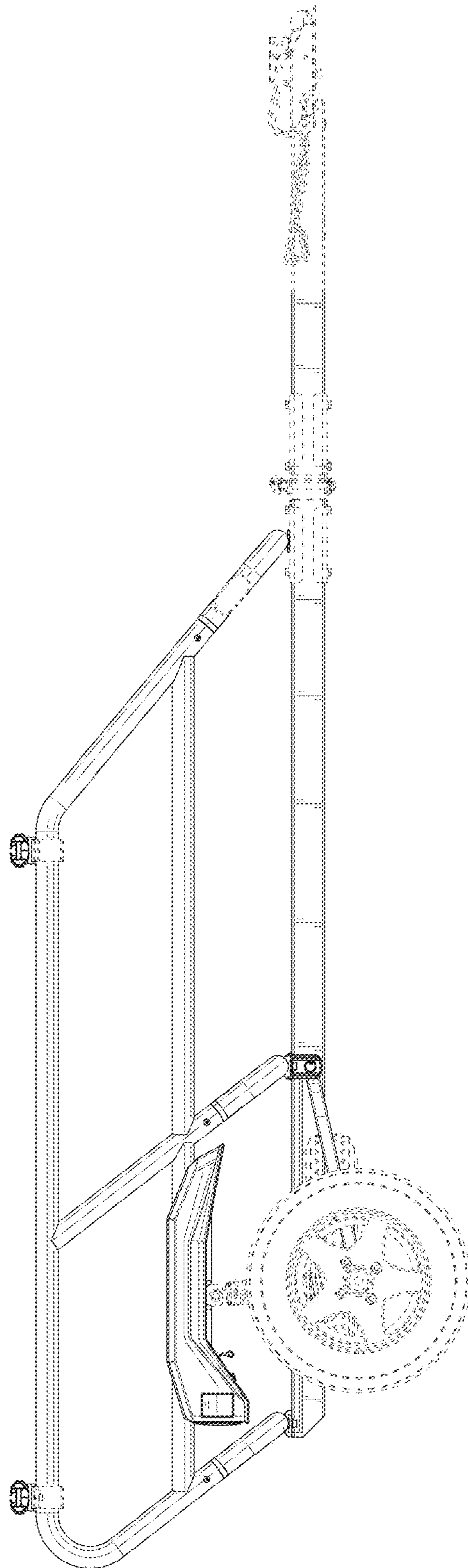


FIG. 6

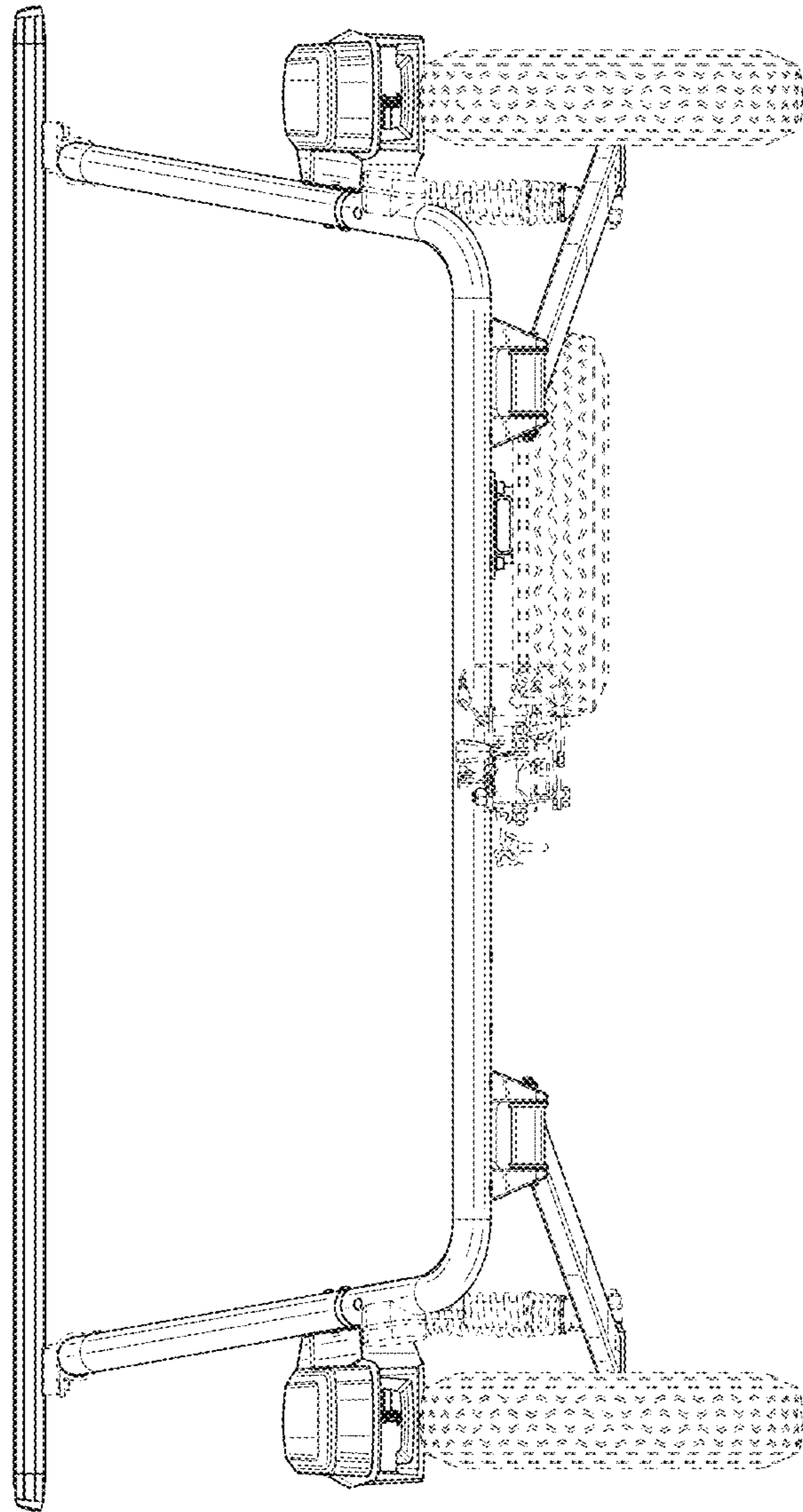


FIG. 7

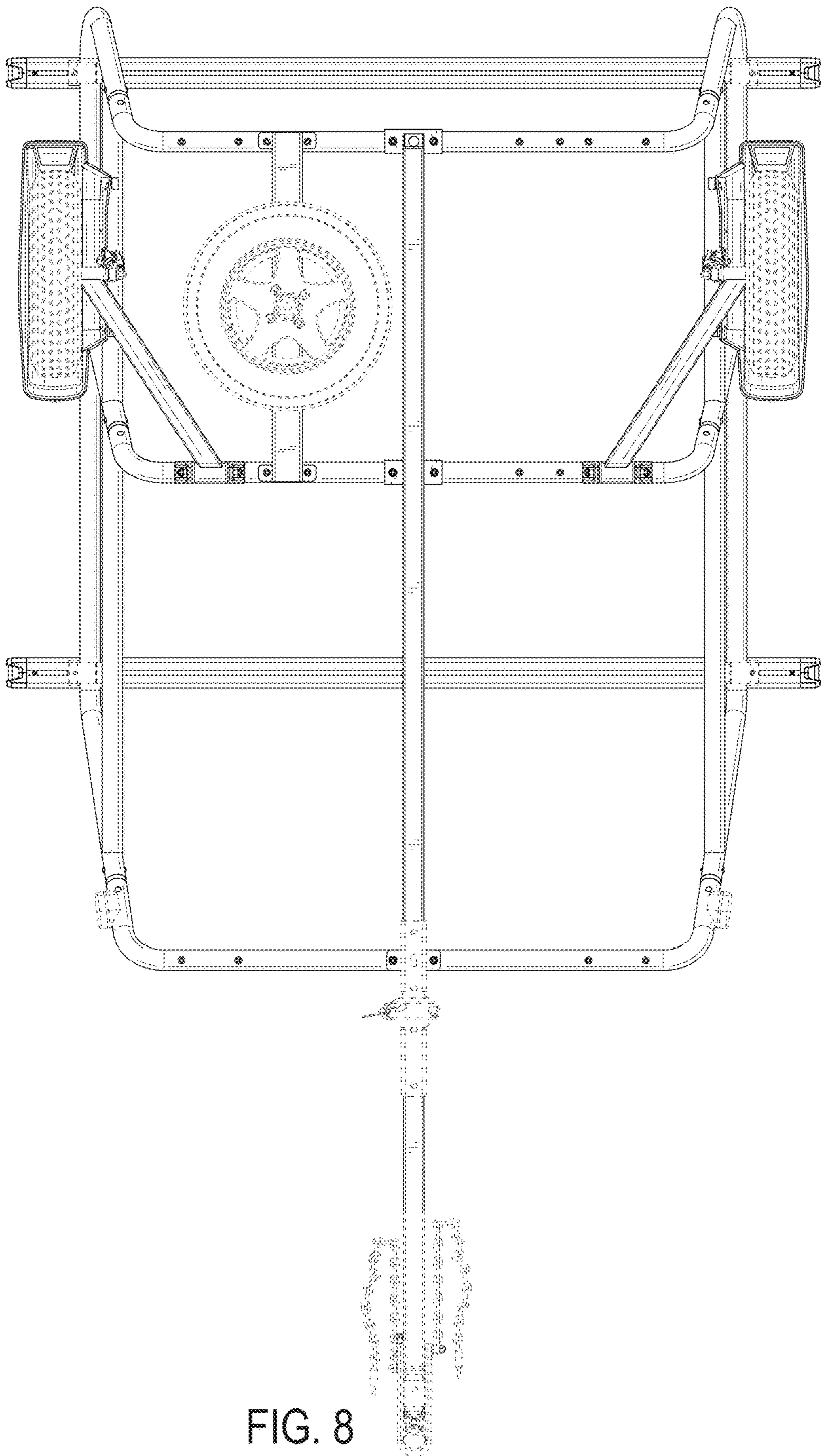


FIG. 8